

SANITARY TEMPERATURE SENSORS



RTD Sensor with M12 Connector for Process Control and Test and Measurement Applications

PR-21 Series Starts at **\$60**

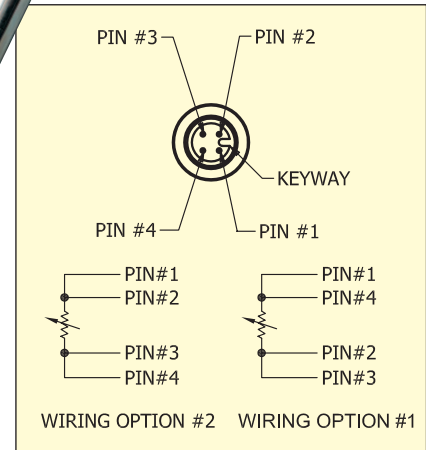
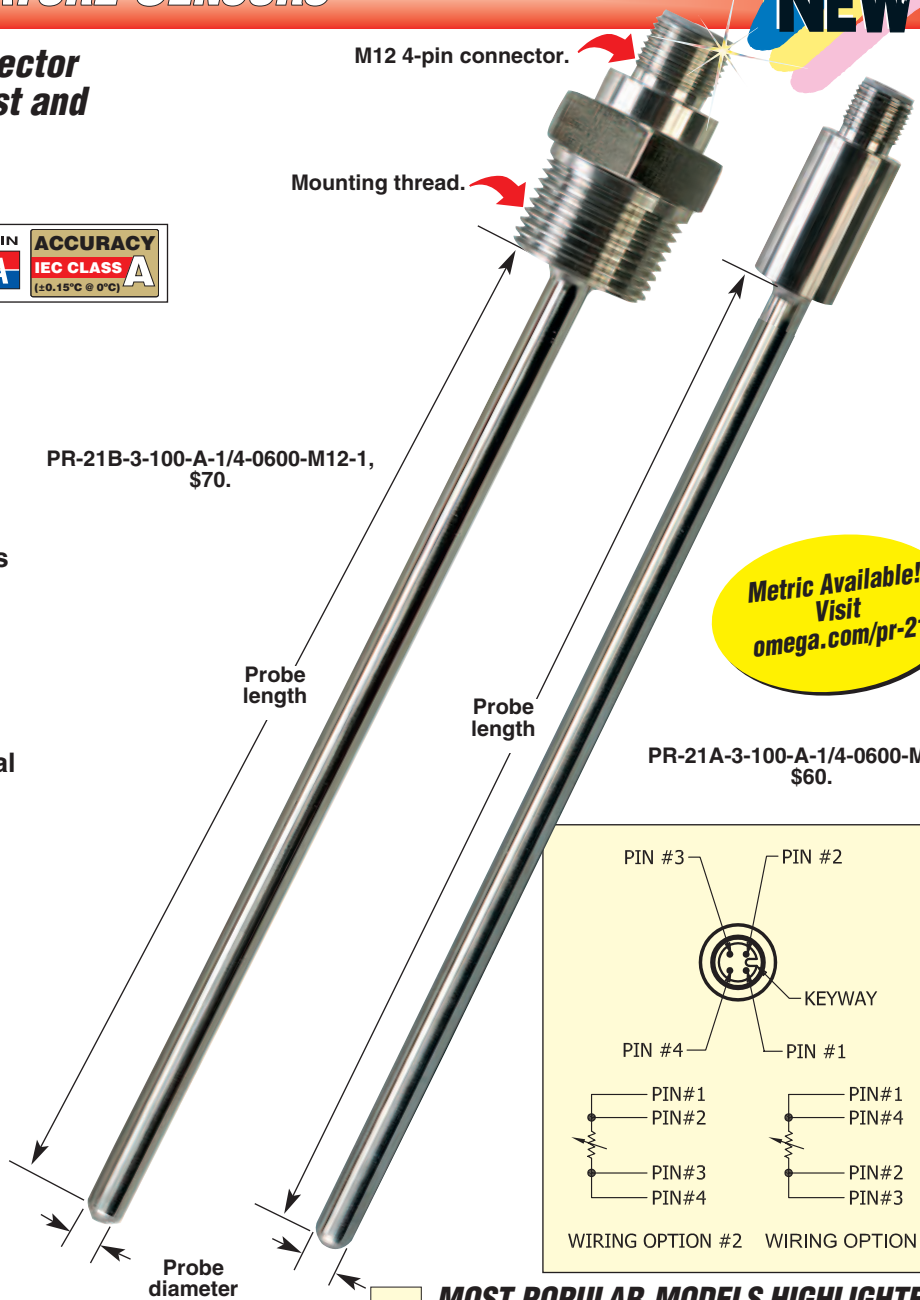
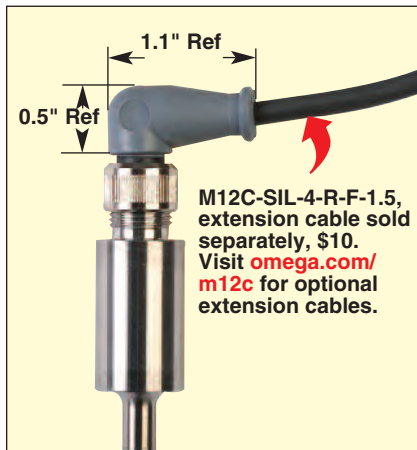


- ✓ All Welded 316L Stainless Steel Housing
- ✓ Available With or Without Mounting Thread (1/4, 3/8 and 1/2 NPT Mounting Threads Available)
- ✓ Class A, Pt100 or Pt1000 4-Wire Platinum RTD Elements per IEC60751 Standard
- ✓ Integral 4-Pin M12 Connector for Easy Connection
- ✓ Fast Response Time (3.5 Seconds or Less 63% Response in Water)
- ✓ 1/4" Diameter Standard, Optional 1/8" Diameter Available

PR-21B-3-100-A-1/4-0600-M12-1, \$70.

PR-21A-3-100-A-1/4-0600-M12-1, \$60.

Metric Available! Visit omega.com/pr-21



Standard

To Order (Specify Model Number)

Model Number	Price	Element	Length (in)	Mounting Thread
PR-21A-3-100-A-1/4-0600-M12-1	\$60	Pt100, Class A	6.00	None
PR-21B-3-100-A-1/4-0600-M12-1	70	Pt100, Class A	6.00	1/2 NPT
PR-21C-3-100-A-1/4-0600-M12-1	70	Pt100, Class A	6.00	3/8 NPT
PR-21D-3-100-A-1/4-0600-M12-1	70	Pt100, Class A	6.00	1/4 NPT
PR-21A-3-1000-A-1/4-0600-M12-1	60	Pt1000, Class A	6.00	None
PR-21B-3-1000-A-1/4-0600-M12-1	70	Pt1000, Class A	6.00	1/2 NPT
PR-21C-3-1000-A-1/4-0600-M12-1	70	Pt1000, Class A	6.00	3/8 NPT
PR-21D-3-1000-A-1/4-0600-M12-1	70	Pt1000, Class A	6.00	1/4 NPT

For lengths other than 6", change "0600" in model number to required length and add \$1 per inch greater than 6" (example: 9" = 0900, 4 1/2" = 0450).

For 1/8" probe diameters, change "1/4" in model number to "1/8", no additional cost.

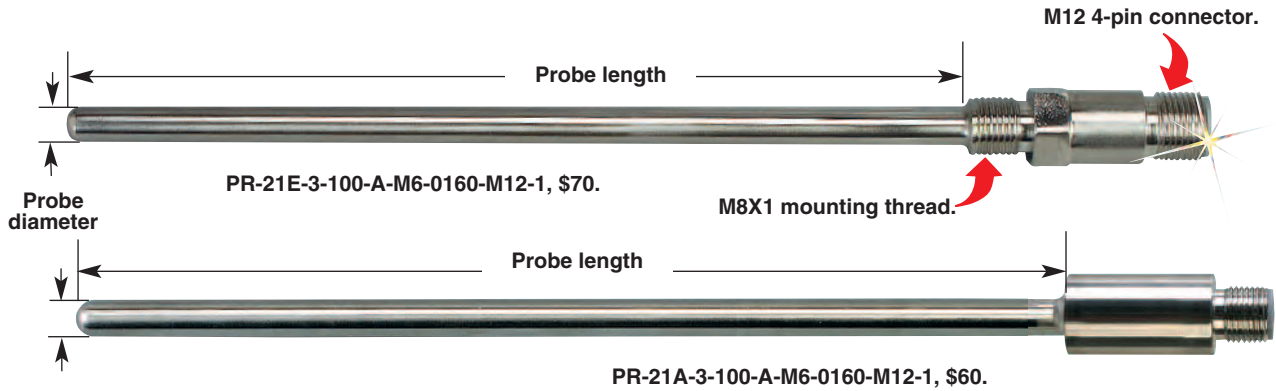
Ordering Examples: PR-21A-3-100-A-1/4-0600-M12-1, 1/4" diameter probe 6" long with Pt100, Class A element, no mounting thread, with M12 connector, \$60.

PR-21D-3-100-A-1/4-0600-M12-1, 1/4" diameter probe 6" long with Pt100, Class A element, 1/4 NPT mounting thread, with M12 connector, \$70.



SANITARY TEMPERATURE SENSORS

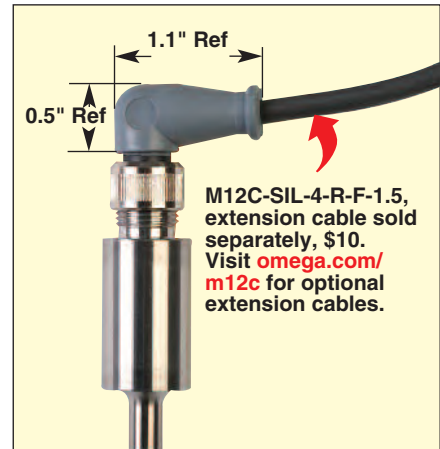
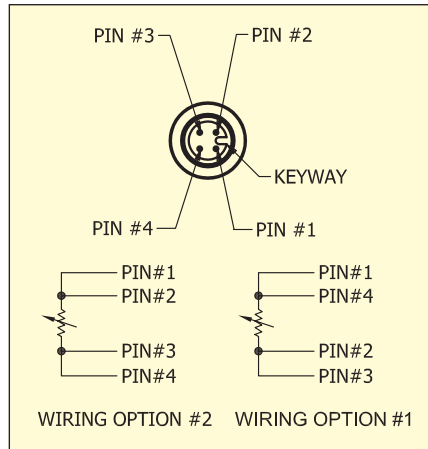
RTD Sensor with M12 Connector for Process Control and Test and Measurement Applications



PR-21 Series Starts at **\$60**



- ✓ All Welded 316L Stainless Steel Housing
- ✓ Available With or Without a Mounting Thread, M8x1 and M10x1 Mounting Threads Available
- ✓ Class A, Pt100 or Pt1000 4-Wire Platinum RTD Elements per IEC60751 Standard
- ✓ Integral 4-Pin M12 Connector for Easy Connection
- ✓ Fast Response Time (3.5 Seconds or Less 63% Response in Water)
- ✓ 6 mm Diameter Standard (3 mm Dia Available)



Metric

 MOST POPULAR MODELS HIGHLIGHTED!

To Order (Specify Model Number)				
Model Number	Price	Element	Length (mm)	Mounting Thread
PR-21A-3-100-A-M6-0160-M12-1	\$60	Pt100, Class A	160	None
PR-21A-3-100-A-M6-0260-M12-1	64	Pt100, Class A	260	None
PR-21A-3-100-A-M6-0360-M12-1	68	Pt100, Class A	360	None
PR-21E-3-100-A-M6-0160-M12-1	70	Pt100, Class A	160	M8x1
PR-21E-3-100-A-M6-0260-M12-1	74	Pt100, Class A	260	M8x1
PR-21E-3-100-A-M6-0360-M12-1	78	Pt100, Class A	360	M8x1
PR-21F-3-100-A-M6-0160-M12-1	70	Pt100, Class A	160	M10x1
PR-21F-3-100-A-M6-0260-M12-1	74	Pt100, Class A	260	M10x1
PR-21F-3-100-A-M6-0360-M12-1	78	Pt100, Class A	360	M10x1

For 1000 Ω, Class A elements, change "100" to "1000" in model number, no additional price.

For lengths longer than 360 mm, change "0360" in model number to required length in mm and add \$1 per 25 mm to price (example: 500 mm = 0500, 425 mm = 0425).

For 3 mm probe diameters, change "M6" in model number to "M3" for 3 mm, no additional cost.

Ordering Examples: PR-21A-3-100-A-M6-0260-M12-1, 6 mm diameter probe, 260 mm long with Pt100, Class A element, no mounting thread, with M12 connector, \$64.

PR-21F-3-100-A-M6-0160-M12-1, 6 mm diameter probe, 160 mm long with Pt100, Class A element, M10x1 mounting thread, with M12 connector, \$70.



UNITED STATES

www.omega.com
1-800-TC-OMEGA
Stamford, CT.

CANADA

www.omega.ca
Laval(Quebec)
1-800-TC-OMEGA

GERMANY

www.omega.de
Deckenpfronn, Germany
0800-8266342

UNITED KINGDOM

www.omega.co.uk
Manchester, England
0800-488-488

FRANCE

www.omega.fr
Guyancourt, France
088-466-342

CZECH REPUBLIC

www.omegaeng.cz
Karviná, Czech Republic
596-311-899

BENELUX

www.omega.nl
Amstelveen, NL
0800-099-33-44



More than 100,000 Products Available!

• Temperature

Calibrators, Connectors, General Test and Measurement Instruments, Glass Bulb Thermometers, Handheld Instruments for Temperature Measurement, Ice Point References, Indicating Labels, Crayons, Cements and Lacquers, Infrared Temperature Measurement Instruments, Recorders Relative Humidity Measurement Instruments, RTD Probes, Elements and Assemblies, Temperature & Process Meters, Timers and Counters, Temperature and Process Controllers and Power Switching Devices, Thermistor Elements, Probes and Assemblies, Thermocouples Thermowells and Head and Well Assemblies, Transmitters, Wire

• Flow and Level

Air Velocity Indicators, Doppler Flowmeters, Level Measurement, Magnetic Flowmeters, Mass Flowmeters, Pitot Tubes, Pumps, Rotameters, Turbine and Paddle Wheel Flowmeters, Ultrasonic Flowmeters, Valves, Variable Area Flowmeters, Vortex Shedding Flowmeters

• pH and Conductivity

Conductivity Instrumentation, Dissolved Oxygen Instrumentation, Environmental Instrumentation, pH Electrodes and Instruments, Water and Soil Analysis Instrumentation

• Data Acquisition

Auto-Dialers and Alarm Monitoring Systems, Communication Products and Converters, Data Acquisition and Analysis Software, Data Loggers Plug-in Cards, Signal Conditioners, USB, RS232, RS485 and Parallel Port Data Acquisition Systems, Wireless Transmitters and Receivers

• Pressure, Strain and Force

Displacement Transducers, Dynamic Measurement Force Sensors, Instrumentation for Pressure and Strain Measurements, Load Cells, Pressure Gauges, Pressure Reference Section, Pressure Switches, Pressure Transducers, Proximity Transducers, Regulators, Strain Gages, Torque Transducers, Valves

• Heaters

Band Heaters, Cartridge Heaters, Circulation Heaters, Comfort Heaters, Controllers, Meters and Switching Devices, Flexible Heaters, General Test and Measurement Instruments, Heater Hook-up Wire, Heating Cable Systems, Immersion Heaters, Process Air and Duct, Heaters, Radiant Heaters, Strip Heaters, Tubular Heaters