



### Description

The 89TTM55x Traffic Manager chipset consists of a 89TTM552 aggregate-flow device and a 89TTM553 per-flow device. The 89TTM55x Traffic Manager manages bandwidth resources by shaping traffic to defined rate profiles and by precisely controlling the allocation of bandwidth and acceptance of new traffic during times of network congestion. The 89TTM55x provides a full suite of configurable algorithms that support quality of service differentiation for any data protocol, at line rates of 10 Gbps.

The 89TTM552, which can operate as a standalone device, is a 10 Gbps simplex device providing the following features:

- *An aggregate-flow (AFQ) scheduler that can be used for class-based, virtual pipe, or flow scheduling for up to 4K queues.*
- *A logical port scheduler (1K port queues).*
- *Output queuing for channel-based backpressure from a framer or fabric (1K OQs).*
- *Supports up to 256 MB external data buffering.*
- *Sophisticated congestion management features to manage buffer resources.*
- *Spatial multicast labeling for the switch fabric and logical multicasting.*
- *Packet segmentation and reassembly across fabric or SPI4.2 channels.*
- *AAL-5 segmentation and reassembly.*

The 89TTM552 can be used in standalone mode to handle congestion management and scheduling of traffic where three levels of hierarchy and 4K queues (AFQs) are sufficient.

The 89TTM552 can perform simultaneous scheduling of a large number of flows, each at an individual rate of fine granularity, and with many user-configurable features allowing maximum flexibility and performance. It has congestion management mechanisms that manage shared traffic buffering resources. If buffer memory approaches its limit because data arrives at a queue faster than it can depart, the 89TTM552 performs per-queue congestion management. It can also intelligently discard lower priority traffic as it arrives until memory resources become available.

The 89TTM552 controls traffic forwarding, manages the shared buffer resources with multi-level thresholding, maintains the various queues, and generates queue service selections (scheduling for departures) using bandwidth management algorithms developed by IDT. Using industry-standard 16-bit LVDS Rx and Tx interfaces, the 89TTM552 receives and transmits data as packets or cells.

The 89TTM552 manages its data storage internally. It has fixed blocks of memory for storing and forwarding data, and for managing memory resources according to quality of service parameters. Each block, or cell, contains up to 64 bytes of data payload from a packet. The 89TTM552 can process up to 35 Mcps/Mpps for both arrivals and departures. The 89TTM552 and 89TTM553 both operate up to 175 MHz.

The 89TTM552 connects seamlessly to IDT's 89TSF family of switch fabric products. It can also operate seamlessly with network processors and switch fabrics that use one of its 16-bit LVDS interface protocols. The 89TTM552 can also directly transmit to third-party framers/PHYs that have SPI4.2 interfaces.

The 89TTM553 consists of a flow-based available-rate scheduler with a weighted fair queuing (WFQ) engine and adds support for further hierarchical scheduling with queues for up to 1M flows. Both devices, the 89TTM552 and 89TTM553, are used when additional hierarchical scheduling and a large number of simultaneous flows are required. See Figure 1 for a functional diagram of the 89TTM55x chipset.

## 89TTM552 Interfaces

The 89TTM552 has a 16-bit LVDS receive interface and a 16-bit LVDS transmit interface. These two interfaces can be configured independently to operate in one of the following 4 modes.

**Note:** In the following 2 modes, up to 16 channels or output queues are supported.<sup>1</sup>

- *O1 Forum SPI-4p2 (System Packet Interface, Level 4, Phase 2). SPI-4p2 (or SPI4.2) is a physical interface standard for the transfer of data between a network processing device and a framer. It is anticipated that this mode will be used on the 89TTM552's interface to a network processor or a framer.*
- *NPF Streaming Interface (NPE-NPE).*  
*It is anticipated that this mode will be used on 89TTM552's interface to an NPU.*

**Note:** In the following 2 modes, up to 1024 channels or output queues are supported.

- *NPF Streaming Interface (NPE-Fabric).*  
*It is anticipated that this mode will be used on 89TTM552's interface to a switch fabric.*
- *CSIX over LVDS.*  
*It is anticipated that this mode will be used to interface to a switch fabric (including the 89TSF552/89TSF500 fabric).*

The interfaces are 16 bits wide, in each direction, and transfer data at up to 1.0 GHz. The interface between the 89TTM552 and 89TTM553 consists of two unidirectional, source-synchronous buses. The interface is a DDR proprietary interface. Each interface includes a clock (175 MHz) and parity.

A 32-bit CPU interface provides system access to the 89TTM552's registers, internal memory, and external memory. A 16-bit CPU interface provides system access to the 89TTM553's registers, internal memory, and external memory. See Figure 2 for an example of a full-duplex 10 Gbps system configuration.

## 89TTM55x Features

### ◆ Deterministic performance at 10 Gbps wire-speed (35 Mcps)

<sup>1</sup> External logic may be required if using a SPI4.2 channel configuration that is not a power-of-2. Refer to Operation with Unsupported SPI-4 Channel Configuration on page 11-6 in Chapter 11 of the 89TTM55x User Manual, available by contacting IDT.

regardless of the number of flows, traffic size, and patterns.

- ◆ **Up to 256 megabytes of external memory buffer space (equivalent to a 210 ms buffer at 10 Gbps).**
- ◆ **Support (Rx and Tx) for industry-standard SPI-4 phase 2, NPF Streaming Interface, and CSIX over LVDS.**
- ◆ **Hierarchical queuing and precise scheduling:**
  - *Traffic management flexibility.*
  - *Support for up to 4K aggregate flow queues (AFQs), 2K arrival reassembly queues (ARQs), 1K port queues (PQs) and 1K output queues/channels (OQs) with no external memory required. Configurable AFQ-to-port assignments.*
  - *Support for up to 1M discrete flows (FLQs), with queuing for each flow, using external memory. Configurable mapping of FLQs into aggregate flow queues.*
  - *Two-level FLQ scheduling mode that supports up to 128K or 256K virtual pipe or subscriber queues with up to 8 or 4 CoS priority queues each.*
  - *Accurate byte-rate shaping at the FLQ, AFQ and port levels.*
- ◆ **Multiple levels of buffer congestion management.**
  - *Hierarchical queue structure and thresholding.*
  - *Congestion indication.*
  - *Dynamic adjustment of thresholds during periods of congestion.*
  - *Packet discard (PD).*
  - *Weighted random early discard (WRED).*
  - *Local congestion indication (CI).*
- ◆ **Configurable forwarding based on classification index.**
- ◆ **Two ports for obtaining event-based statistics.**
- ◆ **Configurable on-chip diagnostic statistics.**
- ◆ **Bandwidth management rate guarantee and shaping mechanisms for each flow, each aggregate flow and each port queue.**
  - *Priority and weighted bandwidth distribution mechanisms across groups of flows and aggregate flows.*
  - *Schedules rates as low as 2 kbps for each flow.*
  - *One- and two-level byte-rate FLQ scheduling: maximum and minimum rates, and strict priority and weighted fair queuing (WFQ) for each FLQ. Per-flow byte-rate shaping.*
  - *AFQ scheduling with byte-rate shaping: minimum and maximum rates with VBR MBS and PCR enforcement. Excess distribution using weighted fair queuing (WFQ) and PRR.*
  - *Port queues: maximum rates with byte-rate scheduling.*
- ◆ **Wire-speed logical multicasting.**
  - *Four classes of service.*
  - *Programmable service rate (minimum and excess bandwidth distribution).*
  - *Programmable thresholds.*
  - *Branch connections can be added and deleted during live traffic.*
  - *Traffic management features on all multicast roots and branches.*
- ◆ **Multicast label generation for spatial multicast support.**
- ◆ **Integrated wire-speed AAL-5 segmentation and reassembly (AAL-5 CPCS SAR) in the datapath.**
- ◆ **32-bit processor interface running at up to 66 MHz with**

integrated AAL-5 SAR and DMA engine for data insertion and extraction.

- *Four classes of service.*
  - *Integrated AAL-5-compliant and packet-based SAR.*
  - *Programmable service rate.*
  - *Programmable queue thresholds.*
  - *Use of descriptors and DMA support for maximum performance.*
  - *32-bit data bus transfer at up to 66 MHz.*
- ◆ **Algorithms implemented in hardware; software intervention required for initialization and configuration only.**
  - ◆ **Error protection on all external RAM and BIST on all internal RAM.**
  - ◆ **Inter-operable with the IDT ZTM200 traffic manager.**

# 89TTM55x Diagrams

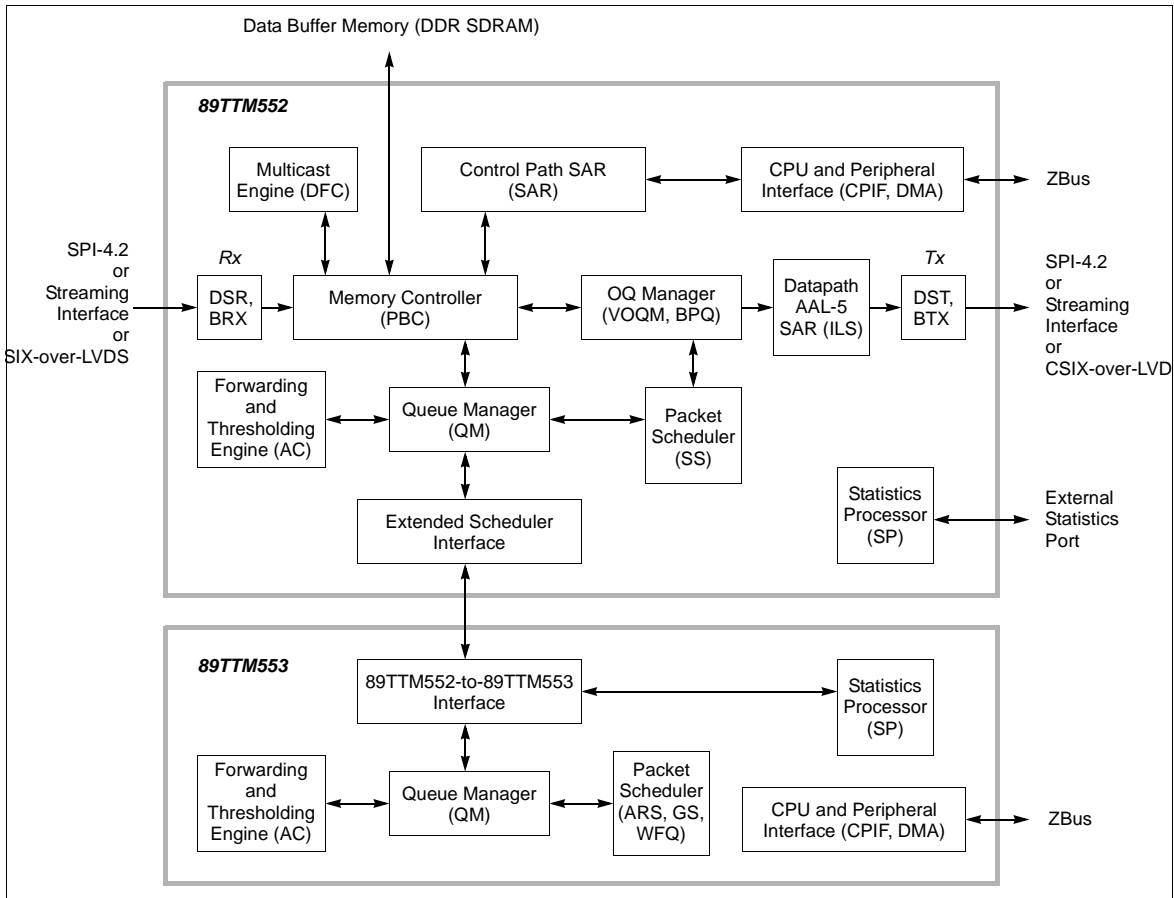


Figure 1 89TTM55x Functional Block Diagram

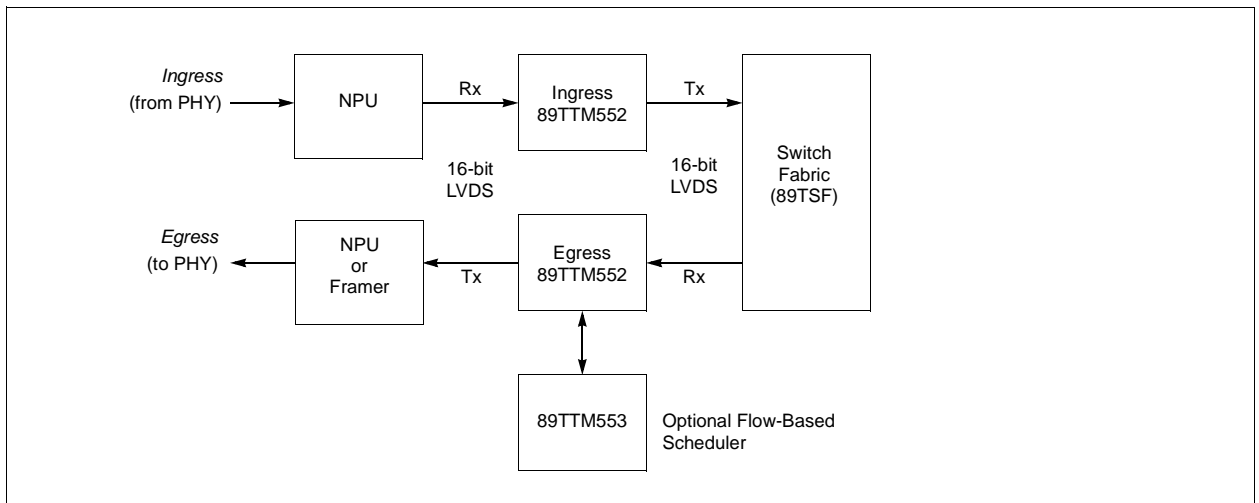


Figure 2 Example of a Full-duplex 10 Gbps System Configuration

## 89TTM552 Pin Description

**Note:** Information in this section is subject to change. Contact your IDT FAE before making design decisions.

In this data sheet, direction is indicated as follows: I for In, O for Out, B for Bidirectional, and P for power.

Signal Name	I/O Type	Dir. <sup>1</sup>	Freq.	Remarks
FLOS_DIN[21:0], FLOS_DIN_PRTY	1.5V HSTL Class 1	I	175 MHz	'External scheduler control in' serial interface (22 signal lines + 1 parity line)
FLOS_CLKIN	1.5V HSTL Class 1	I	175 MHz	External scheduler clock in
FLOS_TIC_IN	1.5V HSTL Class 1	I	33.33 MHz	External scheduler cell time tick in
FLOS_DOUT[17:0], FLOS_DOUT_PRTY	1.5V HSTL Class 1	O	175 MHz	'External scheduler control out' serial interface (18 signal lines + 1 parity line)
FLOS_CLKOUT	1.5V HSTL Class 1	O	175 MHz	External scheduler clock out
FLOS_TIC_OUT	1.5V HSTL Class 1	O	33.33 MHz	External scheduler cell time tick out
FLOS_VREF[1:0]	0.75V	—	—	HSTL reference. Nominally $V_{DDQ} / 2$ , so connect to 0.75 V

**Table 1 89TTM552 / 89TTM553 "External Flow Scheduler" Control Interface<sup>2</sup>**

<sup>1</sup> The 89TTM553 shares these lines, and the I/O direction is, of course, the opposite of these.

<sup>2</sup> These lines multiplex many logical signals over 5 clocks.

Signal Name	I/O Type	Dir.	Freq.	Remarks
PP_D, PP_PRTY	1.5V HSTL Class 1	I	175 MHz	Protocol processor data and parity from external protocol processor device
PP_CLK	1.5V HSTL Class 1	I	175 MHz	Source-synchronous protocol processor port clock from external protocol processor device
PP_TIC	1.5V HSTL Class 1	I	33.33 MHz	Protocol processor port cell time tick from external protocol processor device
PP_VREF	0.75V	—	—	HSTL reference. Nominally $V_{DDQ} / 2$ , so connect to 0.75 V

**Table 1 External Protocol Processor Port Interface**

The 89TTM552 operates the BRx and BTX interfaces with LVDS. The flexible interface can operate in either SPI-4.2, CSIX-over-LVDS, or NPF SI modes. The NPU/system receive interface has 16-bit data, 4-bit status for LVDS and 2-bit status for LVTTTL.

Signal Name	I/O Type	Dir.	Freq.	Remarks
RX_CLKP, RX_CLKN	LVDS <sup>1</sup>	I	500 MHz	Rx data clock
RX_SOFp, RX_SOFn	LVDS	I	500 MHz	Rx control input
RX_DP[15:0], RX_DN[15:0]	LVDS	I	500 MHz	Rx data bus input (16-bit)
RX_PRTYP, RX_PRTYN	LVDS	I	500 MHz	Rx parity over Rx data bus
RX_STAT_CLKP, RX_STAT_CLKN	LVDS	O	500 MHz	Rx status clock output

**Table 2 Receive Traffic Interface (BRx) (Part 1 of 2)**

Signal Name	I/O Type	Dir.	Freq.	Remarks
RX_STAT_SOF <sub>P</sub> , RX_STAT_SOF <sub>N</sub>	LVDS	O	500 MHz	Rx status control output
RX_STAT_DP[3:0], RX_STAT_DN[3:0]	LVDS	O	500MHz	Rx status bus output
RX_STAT_PRTYP, RX_STAT_PRTYN	LVDS	O	500 MHz	Rx status parity over Rx status bus
RX_SPI4_STAT_CLK	3.3V LVTTTL, 16mA drive	O	1/4 of 500 MHz	Rx SPI-4 status clock
RX_SPI4_STAT_D[1:0]	3.3V LVTTTL, 16mA drive	O	—	Rx SPI-4 status outputs
RX_VREF[1:0]	1.25V	—	—	Reference voltage for LVDS transmitter termination voltage. Nominally set at 1.25V

**Table 2 Receive Traffic Interface (BRx) (Part 2 of 2)**

<sup>1</sup>. Note that the PIC buffer interface requires a 2.6V power supply. That means, separate power supplies are needed for the NPU/System Rx & Tx (LVDS) interfaces and the PIC buffer (SSTL2) interface.

The BTx transmit interface has 16-bit data, 4-bit status for LVDS and 2-bit status for LVTTTL.

Signal Name	I/O Type	Dir.	Freq.	Remarks
TX_CLKP, TX_CLKN	LVDS <sup>1</sup>	O	500 MHz	Tx data clock
TX_SOF <sub>P</sub> , TX_SOF <sub>N</sub>	LVDS	O	500 MHz	Tx control output
TX_DP[15:0], TX_DN[15:0]	LVDS	O	500 MHz	Tx data bus output (16-bit)
TX_PRTYP, TX_PRTYN	LVDS	O	500 MHz	Tx parity over Tx data bus
TX_STAT_CLKP, TX_STAT_CLKN	LVDS	I	500 MHz	Tx status clock input
TX_STAT_SOF <sub>P</sub> , TX_STAT_SOF <sub>N</sub>	LVDS	I	500 MHz	Tx status control input
TX_STAT_DP[3:0], TX_STAT_DN[3:0]	LVDS	I	500 MHz	Tx status bus input
TX_STAT_PRTYP, TX_STAT_PRTYN	LVDS	I	500 MHz	Tx status parity over Tx status bus
TX_SPI4_STAT_CLK	3.3V LVTTTL, 100K internal pullup	I	125 MHz	Tx SPI-4 status clock (1/4 of 500 MHz)
TX_SPI4_STAT_D[1:0]	3.3V LVTTTL, 100K internal pullup	I	—	Tx SPI-4 status input
TX_VREF[5:0]	1.25V	—	—	Reference voltage for LVDS transmitter termination voltage. Nominally set at 1.25V

**Table 3 Transmit Traffic Interface (BTx)**

<sup>1</sup>. Note that the PIC buffer interface requires a 2.6V power supply. That means, separate power supplies are needed for the NPU/System Rx & Tx (LVDS) interfaces and the PIC buffer (SSTL2) interface.

Signal Name	I/O Type	Dir.	Freq.	Remarks
LLST_CLK_CP (C), LLST_CLK_CN (C#)	1.5V HSTL Class 1	I	175 MHz	LL QDR SRAM input clock: This clock pair registers data inputs on the rising edge of C and C#. All synchronous inputs must meet setup and hold times around the clock rising edges.
LLST_CLK_KP (K), LLST_CLK_KN (K#)	1.5V HSTL Class 1	O	175 MHz	LL QDR SRAM output clock: This clock pair times the address and control outputs to the rising edge of K, and times the data outputs on the rising edge of K and K#.
LLST_ADDR[21:0]	1.5V HSTL Class 1	O	175 MHz	LL QDR SRAM address outputs:
LLST_RD_N	1.5V HSTL Class 1	O	175 MHz	LL QDR SRAM synchronous read output (active low): When asserted, a read cycle is initiated to the external QDR SRAM devices.
LLST_WR_N	1.5V HSTL Class 1	O	175 MHz	LL QDR SRAM synchronous write output (active low): When asserted, a write cycle is initiated to the external QDR SRAM devices.
LLST_DIN[17:0]	1.5V HSTL Class 1	I	175 MHz	LL QDR SRAM data inputs: Input data must meet setup and hold times around the rising edges of C and C# during read operations
LLST_DOUT[17:0]	1.5V HSTL Class 1	O	175 MHz	LL QDR SRAM data outputs: Output data is synchronized to the K and K# during write operations
LLST_VREF[1:0]	0.75V	—	—	HSTL reference. Nominally $V_{DDQ} / 2$ , so connect to 0.75 V

Table 4 Linked-List QDR SRAM

Signal Name	I/O Type	Dir.	Freq.	Remarks
MC_CLK_CP (C), MC_CLK_CN (C#)	1.5V HSTL Class 1	I	175 MHz	MC QDR SRAM input clock: This clock pair registers data inputs on the rising edge of C and C#. All synchronous inputs must meet setup and hold times around the clock rising edges.
MC_CLK_KP (K), MC_CLK_KN (K#)	1.5V HSTL Class 1	O	175 MHz	MC QDR SRAM output clock: This clock pair times the address and control outputs to the rising edge of K, and times the data outputs on the rising edge of K and K#.
MC_ADDR[21:0]	1.5V HSTL Class 1	O	175 MHz	MC QDR SRAM address outputs:
MC_RD_N	1.5V HSTL Class 1	O	175 MHz	MC QDR SRAM synchronous read output (active low): When asserted, a read cycle is initiated to the external QDR SRAM devices.
MC_WR_N	1.5V HSTL Class 1	O	175 MHz	MC QDR SRAM synchronous write output (active low): When asserted, a write cycle is initiated to the external QDR SRAM devices.
MC_DIN[17:0]	1.5V HSTL Class 1	I	175 MHz	MC QDR SRAM data inputs: Input data must meet setup and hold times around the rising edges of C and C# during read operations

Table 5 Multicast / Parent-Child QDR SRAM (Part 1 of 2)

Signal Name	I/O Type	Dir.	Freq.	Remarks
MC_DOUT[17:0]	1.5V HSTL Class 1	O	175 MHz	MC QDR SRAM data outputs: Output data is synchronized to the K and K# during write operations
MC_BW_N[1:0]	1.5V HSTL Class 1	O	175 MHz	MC QDR SRAM byte write enable: This is used with MC_WR_N when writing to the QDR SRAM. By using these byte write enable signals, MC logic can write to half of a QDR RAM entry when programming the logical multicast branch table. MC_BW_N[0] controls MC_DOUT[8:0]. MC_BW_N[1] controls MC_DOUT[17:9].
MC_VREF[1:0]	0.75V	—	—	HSTL reference. Nominally $V_{DDQ} / 2$ , so connect to 0.75 V

Table 5 Multicast / Parent-Child QDR SRAM (Part 2 of 2)

Signal Name	I/O Type	Dir.	Freq.	Remarks
SAR_CLK_CP (C), SAR_CLK_CN (C#)	1.5V HSTL Class 1	I	175 MHz	ILS QDR SRAM input clock: This clock pair registers data inputs on the rising edge of C and C#. All synchronous inputs must meet setup and hold times around the clock rising edges.
SAR_CLK_KP (K), SAR_CLK_KN (K#)	1.5V HSTL Class 1	O	175 MHz	ILS QDR SRAM output clock: This clock pair times the address and control outputs to the rising edge of K, and times the data outputs on the rising edge of K and K#.
SAR_ADDR[21:0]	1.5V HSTL Class 1	O	175 MHz	ILS QDR SRAM address outputs:
SAR_RD_N	1.5V HSTL Class 1	O	175 MHz	ILS QDR SRAM synchronous read output (active low): When asserted, a read cycle is initiated to the external QDR SRAM devices.
SAR_WR_N	1.5V HSTL Class 1	O	175 MHz	ILS QDR SRAM synchronous write output (active low): When asserted, a write cycle is initiated to the external QDR SRAM devices.
SAR_DIN[8:0]	1.5V HSTL Class 1	I	175 MHz	ILS QDR SRAM data inputs: Input data must meet setup and hold times around the rising edges of C and C# during read operations
SAR_DOUT[8:0]	1.5V HSTL Class 1	O	175 MHz	ILS QDR SRAM data outputs: Output data is synchronized to the K and K# during write operations
SAR_VREF	0.75V	—	—	HSTL reference. Nominally $V_{DDQ} / 2$ , so connect to 0.75 V

Table 6 In-Line SAR (ILS) QDR SRAM

Signal Name	I/O Type	Dir.	Freq.	Remarks
DRAM_CLKP[2:0]	2.6V SSTL2 CMOS <sup>1</sup>	O	175 MHz	DRAM clock, group 0 & group 1 Important: See the footnote.
DRAM_CLKN[2:0]	2.6V SSTL2 CMOS	O	175 MHz	DRAM $\overline{\text{clock}}$ ("clock bar")
DRAM0_ADDR[12:0]	2.6V SSTL2 CMOS	O	175 MHz	Group 0 SDRAM address
DRAM0_BNK[1:0]	2.6V SSTL2 CMOS	O	175 MHz	Group 0 SDRAM bank address
DRAM0_CAS_N	2.6V SSTL2 CMOS	O	175 MHz	Group 0 column address strobe (active low)

Table 7 PIC Buffer (DDR SDRAM) (Part 1 of 2)



Signal Name	I/O Type	Dir.	Freq.	Remarks
DRAM0_CKE	2.6V SSTL2 CMOS	O	—	Group 0 clock enable
DRAM0_CS_N	2.6V SSTL2 CMOS	O	—	Group 0 chip select (active low)
DRAM0_D[71:0]	2.6V SSTL2 CMOS	B	175 MHz	Group 0 data
DDAM0_DQS[8:0]	2.6V SSTL2 CMOS	B	175 MHz	Group 0 DDR data strobes: Output with write data, input with read data
DRAM0_RAS_N	2.6V SSTL2 CMOS	O	175 MHz	Group 0 row address strobe (active low)
DRAM0_WE_N	2.6V SSTL2 CMOS	O	—	Group 0 write enable (active low)
DRAM1_ADDR[12:0]	2.6V SSTL2 CMOS	O	175 MHz	Group 1 SDRAM address
DRAM1_BNK[1:0]	2.6V SSTL2 CMOS	O	175 MHz	Group 1 SDRAM bank address
DRAM1_CAS_N	2.6V SSTL2 CMOS	O	175 MHz	Group 1 column address strobe (active low)
DRAM1_CKE	2.6V SSTL2 CMOS	O	—	Group 1 clock enable
DRAM1_CS_N	2.6V SSTL2 CMOS	O	—	Group 1 chip select (active low)
DRAM1_D[71:0]	2.6V SSTL2 CMOS	B	175 MHz	Group 1 data
DDAM1_DQS[8:0]	2.6V SSTL2 CMOS	B	175 MHz	Group 1 DDR data strobes: Output with write data, input with read data
DRAM1_RAS_N	2.6V SSTL2 CMOS	O	175 MHz	Group 1 row address strobe (active low)
DRAM1_WE_N	2.6V SSTL2 CMOS	O	—	Group 1 write enable (active low)
DRAM_VREF[7:0]	1.3V	I	—	SSTL_2 reference voltage. Connect to (V <sub>ddq</sub> /2) 1.3 volts.

Table 7 PIC Buffer (DDR SDRAM) (Part 2 of 2)

<sup>1</sup>. Note that the PIC buffer interface requires a 2.6V power supply. That means, separate power supplies are needed for the NPU/System Rx & Tx (LVDS) interfaces and the PIC buffer (SSTL2) interface.

Signal Name	I/O Type	Dir.	Freq.	Remarks
STAT_ARR[17:0], STAT_ARR_PRTY	1.5V HSTL Class 1	O	175 MHz	Arrival statistics port data and parity
STAT_DEP[12:0], STAT_DEP_PRTY	1.5V HSTL Class 1	O	175 MHz	Departure statistics port data and parity
STAT_CLK	1.5V HSTL Class 1	O	175 MHz	Source-synchronous statistic port clock to external statistic controller device
STAT_TIC	1.5V HSTL Class 1	O	175 / 5 MHz	Statistic port cell time tick to external statistic controller device
STAT_VREF	0.75V	—	—	HSTL reference. Nominally V <sub>DDQ</sub> / 2, so connect to 0.75 V

Table 8 Statistics Interface

Signal Name	I/O Type	Dir.	Freq.	Remarks
ZBUS_CLK	3.3V, no internal pullup	I	33 or 66 MHz	ZBus clock input (up to 66 MHz)
ZBUS_GNT_N	3.3V, 100K internal pullup	I	33 or 66 MHz	ZBus grant (active low)
ZBUS_DEVID[4:0]	3.3V, 100K internal pullup	B	33 or 66 MHz	Used for ZBus device identification
ZBUS_INT_N[2:0]	3.3V, 16 mA drive	O	33 or 66 MHz	ZBus device interrupt (active low)
ZBUS_DIR	3.3V, 16 mA drive	O	33 or 66 MHz	ZBus write/read flag
ZBUS_REQ_N	3.3V, 16 mA drive	O	33 or 66 MHz	ZBus master cycle request (active low)
ZBUS_AD[31:0]	3.3V LVTTTL, 16mA drive, 100K internal pullup	B	33 or 66 MHz	ZBus 32-bit multiplexed address/data bus
ZBUS_PRTY[1:0]	3.3V LVTTTL, 16mA drive, 100K internal pullup	B	33 or 66 MHz	ZBus parity over address/data; one parity bit for 16 bits
ZBUS_AVALID_N	3.3V LVTTTL, 16mA drive, 100K internal pullup	B	33 or 66 MHz	ZBus address valid flag (active low)
ZBUS_DVALID_N	3.3V LVTTTL, 16mA drive, 100K internal pullup	B	33 or 66 MHz	ZBus data valid flag (active low)

Table 9 Processor Interface (ZBus)

Signal Name	I/O Type	Dir.	Freq.	Remarks
PLL_RST	3.3V, 100K internal pulldown	I	—	PLL reset. A special initialization sequence is required.
PLL_DIV_RST	3.3V, 100K internal pulldown	I	—	PLL post-divider reset. A special initialization sequence is required.
PLL_CFG_OVR	3.3V, 100K internal pulldown	I	—	PLL latch-on-reset override input. When <b>high</b> , the PLLs' configurations can be latched through ZBUS_AD when RESET_N deactivates. A special initialization sequence is required.
PLL_SYS_REFCLK	3.3V	I	100 MHz	Chip core PLL reference clock.
PLL_DDR_BYPCCLK	3.3V, 100K internal pullup	I	—	Core DDR bypass clock source. <i>For IDT use only. Do not connect.</i>
PLL_SYS_LCK	3.3V, 16mA drive	O	—	Core PLL VCO lock indicator. <i>For IDT use only. Do not connect.</i>
PLL_SYS_MON	3.3V, 16mA drive	O	—	Core PLL clock monitor output. <i>For IDT use only. Do not connect.</i>
PLL_RX_REFCLK		I	100 MHz	SPI4 Rx PLL reference clock

Table 10 PLL (Part 1 of 2)

Signal Name	I/O Type	Dir.	Freq.	Remarks
PLL_RX_LCK	3.3V, 16mA drive	O	—	SPI4 Rx PLL VCO lock indicator. For IDT use only. Do not connect.
PLL_RX_RST	3.3V 100K internal pulldown	I	—	SPI4 Rx PLL reset/powerdown. Tie inactive when using register-based (i.e., non-LOR) DSX PLL configuration.
PLL_TX_REFCLK		I	100 MHz	SPI4 Tx PLL reference clock.
PLL_TX_LCK	3.3V, 16mA drive	O	—	SPI4 Tx PLL VCO lock indicator. For IDT use only. Do not connect.
PLL_TX_RST	3.3V 100K internal pulldown	I	—	SPI4 Tx PLL reset/powerdown. Tie inactive when using register-based (i.e., non-LOR) DSX PLL configuration.

Table 10 PLL (Part 2 of 2)

Signal Name	I/O Type	Dir.	Freq.	Remarks
SCAN_MODE_N	3.3V, 100K internal pullup	I	—	Scan mode input (active low). <i>For IDT use only. Do not connect.</i>
SCAN_SHIFT_N	3.3V, 100K internal pullup	I	—	Scan shift input (active low). <i>For IDT use only. Do not connect.</i>
TCK	3.3V, 100K internal pullup	I	—	JTAG (IEEE 1149.1) clock input.
TDI	3.3V, 100K internal pullup	I	—	JTAG (IEEE 1149.1) test data input.
TDO	3.3V, 100K internal pullup	O	—	JTAG (IEEE 1149.1) test data output.
TMS	3.3V, 100K internal pullup	I	—	JTAG (IEEE 1149.1) test mode select
TRST_N	3.3V, 100K internal pullup	I	—	JTAG (IEEE 1149.1) test reset input. (If JTAG is used, and JTAG pins are being driven by some logic, we recommend driving trstn_i low whenever JTAG is not in operation. If JTAG is not used, trstn_i can be permanently tied low.)

Table 11 Test and Debug

Signal Name	I/O Type	Dir.	Freq.	Remarks
RESET_N	3.3V, 100K internal pullup	I	Async	Chip reset input (active low)
IDDO_N	3.3V, no internal pullup	I	N/A	IDDO input (active low). Attach to a 4.7K resistor to 3.3V.
TURBO_DATA[3:0]	3.3V, 16mA drive	O	175/2 MHz	89TTM552 to 89TSF502 "turbo mode" interface
TURBO_CLK	3.3V, 16mA drive	O	175/2 MHz	Source-synchronous turbo mode clock to the 89TSF502
VDD15	—	P	—	1.5V I/O power for HSTL-2 I/Os: Isolated output buffer supply set nominally to 1.5V

Table 12 Miscellaneous Signals (Part 1 of 2)

Signal Name	I/O Type	Dir.	Freq.	Remarks
VDD18	—	P	—	1.8V core power
VDD26	—	P	—	2.6V I/O power for SSTL2 I/Os: Isolated output buffer supply set nominally to 2.6V
VDD33	—	P	—	3.3V I/O power for LVTTTL I/Os
VDD33(VDDP)	—	P	—	3.3V LVDS receiver power
VDDO_25V_LVDS_DSR	—	P	—	2.5V I/O power for DSR LVDS I/Os
VDDO_25V_LVDS_DST	—	P	—	2.5V I/O power for DST LVDS I/Os
GND	—	P	—	Ground
PLL_TX_VSSA	—	P	—	3.3V analog ground for Tx LVDS PLLs
PLL_TX_VDDA	—	P	—	3.3V analog power for Tx LVDS PLLs
PLL_TX_VDD	—	P	—	1.8V digital power for Tx LVDS PLLs
PLL_RX_VSSA	—	P	—	3.3V analog ground for Rx LVDS PLLs
PLL_RX_VDDA	—	P	—	3.3V analog power for Rx LVDS PLLs
PLL_RX_VDD	—	P	—	1.8V digital power for Rx LVDS PLLs
PLL_SYS_VSSA	—	P	—	3.3V analog ground for core clock PLL
PLL_SYS_VDDA	—	P	—	3.3V analog power for core clock PLL
PLL_SYS_VDD	—	P	—	1.8V digital power for core clock PLL

Table 12 Miscellaneous Signals (Part 2 of 2)

## 89TTM552 Electrical Specifications

Some data are TBD and will be published as they become available.

The specifications are subject to change without notice.

### Absolute Maximum Ratings

The absolute maximum ratings are the maximum conditions that the device can withstand without sustaining permanent damage. Exceeding any of these conditions could result in permanent damage to the device. Normal operation should not be expected at these conditions. In addition, exposure to absolute maximum rated conditions (or near absolute maximum rated conditions) for extended periods may affect device reliability.

Operation of the device is not guaranteed at the absolute maximum ratings, but rather at the operating conditions outlined in DC Characteristics on page 1-13 and AC Characteristics on page 1-15.

Symbol	Parameter	Min	Max	Units	Conditions
T <sub>JMAX</sub>	Junction temperature under bias		105	°C	
T <sub>STORAGE</sub>	Storage temperature		150	°C	
	Storage temperature range	-40	85	°C	Long term storage
T <sub>SOLDER</sub>	Soldering temperature		215	°C	
T <sub>REWORK</sub>	Rework temperature		204	°C	

Table 13 Absolute Maximum Ratings

## Operating Ranges

Symbol	Parameter	Min	Typical	Max	Units	Conditions
$T_J$	Operating junction temperature range	0	—	85	°C	
$I_{V15}$	Input current for 1.5V power supply	—	700	—	mA	
$I_{V18}$	Input current for 1.8V power supply	—	3.8	—	A	
$I_{V25}$	Input current for 2.5V power supply	—	400	—	mA	
$I_{V26}$	Input current for 2.6V power supply	—	600	—	mA	
$I_{V33}$	Input current for 3.3V power supply	—	100	—	mA	
VDD <sub>15</sub>	1.5V HSTL supply	1.425	1.5	1.575	V	±5%
VDD <sub>18</sub>	1.8V Core supply	1.71	1.8	1.89	V	±5%
VDDO_25V_LVDS (DSR and DST)	2.5V LVDS supply	2.375	2.5	2.625	V	±5%
VDD <sub>26</sub>	2.6V SSTL supply	2.47	2.6	2.73	V	±5%
VDD <sub>33</sub>	3.3V LVTTTL supply	3.135	3.3	3.465	V	±5%
VRF <sub>LVDS</sub> <sup>1</sup>	1.25V LVDS reference voltage	1.1875	1.25	1.3125	V	±5%
VRF <sub>HSTL</sub> <sup>2</sup>	0.75V HSTL reference voltage	0.7125	0.75	0.7875	V	±5%
VRF <sub>SSTL</sub> <sup>3</sup>	1.25V SSTL reference voltage	1.235	1.3	1.365	V	±5%
Power Dissipation		—	10.78	11.32	W	Max. values use the maximum voltages and current listed in this table and typical values use the typical voltages and current.

Table 14 Operating Ranges

<sup>1</sup>. This operating range applies to the following pins: RX\_VREF0, RX\_VREF1, TX\_VREF0, TX\_VREF1, TX\_VREF2, TX\_VREF3, TX\_VREF4, TX\_VREF

<sup>2</sup>. This operating range applies to the following pins: SAR\_VREF, LLST\_VREF0, LLST\_VREF1, FLOS\_VREF0, FLOS\_VREF1, MC\_VREF0, MC\_VREF1, PP\_VREF, STAT\_VREF

<sup>3</sup>. This operating range applies to the following pins: DRAM\_VREF0, DRAM\_VREF1, DRAM\_VREF2, DRAM\_VREF3, DRAM\_VREF4, DRAM\_VREF5, DRAM\_VREF6, DRAM\_VREF7

## DC Characteristics

Unless otherwise stated, the following parameters are provided given the conditions outlined in Table 14.

Symbol	Parameter	Min	Typical	Max	Conditions
V <sub>ILHSTL</sub> (1.5v HSTL)	Input low voltage for 1.5V HSTL inputs (VREF = 0.75V)	—	VREF - 0.1	V	
V <sub>IHHSTL</sub> (1.5v HSTL)	Input high voltage for 1.5V HSTL inputs (VREF = 0.75V, VDDQ = 1.5V)	VREF + 0.1	VDDQ + 0.3	V	
V <sub>ILSSTL</sub> (2.5v SSTL/ CMOS)	Input low voltage for 2.5V SSTL/CMOS inputs (VREF = 1.25V)	—	VREF - 0.18	V	
V <sub>IHSSTL</sub> (2.5v SSTL/ CMOS)	Input high voltage for 2.5V SSTL/CMOS inputs (VREF = 1.25V)	VREF + 0.18	—	V	

Table 15 DC Parameters (Part 1 of 2)

Symbol	Parameter	Min	Typical	Max	Conditions
$V_{IL33}$ (3.3v LVTTTL)	Input low voltage for 3.3V LVTTTL inputs	—	0.8	V	
$V_{IH33}$ (3.3v LVTTTL)	Input high voltage for 3.3V LVTTTL inputs	2.0	—	V	
$V_{OLHSTL}$	Output low voltage for 1.5V HSTL outputs	—	0.4	V	1.5v HSTL classI w/8mA Drive)
$V_{OHHSTL}$	Output high voltage for 1.5V HSTL outputs (VDDQ = 1.5V)	VDDQ-0.4	—	V	1.5v HSTL classI w/ 8mA Drive)
$V_{OLSSTL}$	Output low voltage for 2.5V SSTL/CMOS outputs	—	0.54	V	2.5v SSTL classII w/15.2mA Drive
$V_{OHSSTL}$	Output high voltage for 2.5V SSTL/CMOS outputs	1.90	—	V	2.5v SSTL classII w/15.2mA Drive
$V_{OL33}$	Output low voltage for 3.3V CMOS outputs (16mA pads)	—	0.5	V	3.3v LVTTTL w/ 16mA Drive
$V_{OH33}$	Output high voltage for 3.3V CMOS outputs (16mA pads)	2.4	—	V	3.3v LVTTTL w/ 16mA Drive
$I_{ILHSTL}$ (1.5v HSTL)	Input Leakage low current for 1.5V HSTL Inputs	-10	10	uA	
$I_{IHHSTL}$ (1.5v HSTL)	Input Leakage high current for 1.5V HSTL Inputs	-10	10	uA	
$I_{ILSSTL}$ (2.5v SSTL)	Input Leakage low current for SSTL Inputs	-10	10	uA	
$I_{IHSSTL}$ (2.5v SSTL)	Input Leakage high current for SSTL Inputs	-10	10	uA	
$I_{IL33}$ (3.3v pads w/o Pull Up/Down)	Input Leakage low current for 3.3V Inputs	-10	10	uA	
$I_{IH33}$ (3.3v pads w/o Pull Up/Down)	Input Leakage high current for 3.3V Inputs	-10	10	uA	
$I_{IL33PU}$ (3.3v pads w/ Pull Up)	Input Leakage low current for 3.3V with Pull-Up Inputs	-200	-10	uA	
$I_{IH33PU}$ (3.3v pads w/ Pull Up)	Input Leakage high current for 3.3V with Pull-Up Inputs	-10	+10	uA	
$I_{IL33PD}$ (3.3v pads w/ Pull Down)	Input Leakage low current for 3.3V with Pull-Down Inputs	-10	+10	uA	
$I_{IH33PD}$ (3.3v pads w/ Pull Down)	Input Leakage high current for 3.3V with Pull-Down Inputs	10	200	uA	

Table 15 DC Parameters (Part 2 of 2)

Symbol	Parameter	Min	Typical	Max	Units	Conditions
$V_I$	Input voltage range, $V_{IA}$ or $V_{IB}$	0	—	2400	mV	$ V_{GPD}  < 925 \text{ mV}^1$
$V_{IDTH}$	Input differential threshold	-100	—	+100	mV	$ V_{GPD}  < 925 \text{ mV}$
$V_{HYST}$	Input differential hysteresis	25	—	—	mV	
$R_{IN}$	Receiver differential input impedance	80	98	120	$\Omega$	
$V_{OH}$	Output voltage high, $V_{OA}$ or $V_{OB}$	—	—	1475	mV	$R_{LOAD} = 100 \Omega \pm 1\%$

Table 16 LVDS DC Parameters (Part 1 of 2)

Symbol	Parameter	Min	Typical	Max	Units	Conditions
$V_{OL}$	Output voltage low, $V_{OA}$ or $V_{OB}$	925	—	—	mV	$R_{LOAD} = 100 \Omega \pm 1\%$
$ V_{OD} $	Output differential voltage	250	—	400	mV	$R_{LOAD} = 100 \Omega \pm 1\%$
$V_{OS}$	Output offset voltage	1125	—	1275	mV	$R_{LOAD} = 100 \Omega \pm 1\%$
$ DV_{OD} $	Change in $ V_{OD} $ between '0' and '1'	—	—	25	mV	$R_{LOAD} = 100 \Omega \pm 1\%$
$DV_{OS}$	Change in $V_{OS}$ between '0' and '1'	—	—	25	mV	$R_{LOAD} = 100 \Omega \pm 1\%$
$I_{SA}, I_{SB}$	Output current	—	—	40	mA	Driver shorted to ground
$I_{SAB}$	Output current	—	—	12	mA	Drivers shorted together

Table 16 LVDS DC Parameters (Part 2 of 2)

<sup>1</sup>  $V_{GPD}$  is the ground potential difference between the transmitter and the receiver

## AC Characteristics

Unless otherwise stated, the following parameters are provided given the conditions outlined in Table 14.

Symbol	Parameter	Min	Typical	Max	Units
$f_{SYS}$	Frequency for system (core) clock reference	—	100	—	MHz
$T_{JSYS}$	Jitter requirements for system clock	—	—	80	ps
$D_{SYS}$	Percentage duty for system clock	45	50	55	%
$f_{TX}$	Frequency for transmit clock reference	75	100	125	MHz
$T_{JTX}$	Jitter requirement for transmit clock reference	—	—	50 <sup>1</sup>	ps, pk-pk
$D_{DTX}$	Percentage duty for transmit clock reference	40	50	60	%
$f_{RX}$	Frequency for receive clock reference	75	100	125	MHz
$T_{JRX}$	Jitter requirement for receive clock reference	—	—	50 <sup>1</sup>	ps, pk-pk
$D_{RX}$	Percentage duty for receive clock reference	40	—	60	%
$f_{ZB}$	Frequency for ZBus clock	33	33	66	MHz
$D_{ZB}$	Percentage duty for ZBus clock	45	50	55	%

Table 17 System Clock Timing

<sup>1</sup> Tight input jitter specifications are required to meet low frequency jitter specifications on the clock output. If low frequency output jitter performance is not required, this spec can be relaxed.

Symbol	Parameter	Min	Typical	Max	Units
$T_{KOOV}$	K/ $\bar{K}$ rising edge to address/data output valid	—	—	1.6 <sup>1</sup>	ns
$T_{KOOX}$	K/ $\bar{K}$ rising edge to address/data output invalid	0.8 <sup>1</sup>	—	—	ns
$T_{COIS}$	$C/\bar{C}$ rising edge to data input setup	-0.2	—	—	ns
$T_{COIH}$	$C/\bar{C}$ rising edge to data input hold	—	—	1.6	ns

Table 18 QDR SSRAM Interface Timing

<sup>1</sup> The parameter is specified at 89TTM55x core clock frequency of 175 MHz.

Symbol	Parameter	Min	Typical	Max	Units
$T_{SCQV}$	Statistics clock to output valid	—	—	3.3 <sup>1</sup>	ns
$T_{SCQX}$	Statistics clock to output invalid	2.3 <sup>1</sup>	—	—	ns

Table 19 Statistics Interface Timing

<sup>1</sup> The parameter is specified at 89TTM55x core clock frequency of 175 MHz.

Symbol	Parameter	Min	Typical	Max	Units
$T_{DCAV}$	DDR clock to address/control valid	—	—	4.5 <sup>1</sup>	ns
$T_{DCAX}$	DDR clock to address/control invalid	1.2 <sup>1</sup>	—	—	ns
$T_{DCQST}$	DDR clock to DQS transition	-0.6	—	0.6	ns
$T_{DCQSLZ}$	DDR clock to DQS Low-Z	0	—	1.8	ns
$T_{DCQSHZ}$	DDR clock to DQS High-Z	0	—	1.8	ns
$T_{DCQLZ}$	DDR clock to DQ Low-Z	0	—	1.8	ns
$T_{DCQHZ}$	DDR clock to DQ High-Z	0	—	1.8	ns
$T_{QSCQV}$	DQS clock to DQ output valid	—	—	2.4 <sup>1</sup>	ns
$T_{QSCQX}$	DQS clock to DQ output invalid	1.1 <sup>1</sup>	—	—	ns
$T_{QSCIS}$	DQS clock to DQ input setup	-0.3	—	—	ns
$T_{QSCIH}$	DQS clock to DQ input hold	—	—	1.6	ns

Table 20 DDR Interface Timing

<sup>1</sup> The parameter is specified at 89TTM55x core clock frequency of 175 MHz.

Symbol	Parameter	Min	Typical	Max	Units	Conditions
$f_D$	Output clock signal frequency	311	—	500	MHz	
$D_{COC}$	Output clock signal duty percentage	45	—	55	%	500 MHz
$J_{CLK}$	Output clock signal jitter	—	—	0.10	UI	500 MHz <sup>1</sup>
$t_F$	$V_{OD}$ fall time, 80% to 20%	—	—	0.30	UI	T = 1ns $R_{LOAD} = 100 \Omega \pm 1\%$
$t_R$	$V_{OD}$ rise time, 20% to 80%	—	—	0.30	UI	T = 1ns $R_{LOAD} = 100 \Omega \pm 1\%$
$t_{SKEW1}$	$ t_{pHLA} - t_{pLHB} $ or $ t_{pHLB} - t_{pLHA} $ , Differential skew	—	—	50	ps	Any differential pair on package
$t_{SKEW2}$	$ t_{pdiff[m]} - t_{pdiff[n]} $ Channel-to-channel skew	—	—	200	ps	Any 2 signals on package

Table 21 LVDS AC Parameters

<sup>1</sup> Jitter is measured peak-to-peak from  $f_{clock}/1000$  to  $f_{clock}$ . Low frequency jitter is determined by the jitter of the clock reference.



Symbol	Parameter	Min	Typical	Max	Units	Conditions
$f_S$	Status channel clock frequency	75	—	125	MHz	
$D_{COC}$	Status clock duty percentage	40	—	60	%	
$t_{SKEW}$	Status clock to output data skew <sup>1</sup>		—	500	ps	
$t_{SSCLK}$	Status channel input setup time	2	—	—	ns	
$t_{HSCLK}$	Status channel input hold time	0	—	—	ns	

Table 22 SPI-4 LVTTL AC Parameters

<sup>1</sup> Clock-data alignment is selectable in 1/4 cycle steps; skew is relative to this alignment

Symbol	Parameter	Min	Typical	Max	Units
$T_{KOV}$	Zbus clock high to output valid	—	—	8.3	ns
$T_{KQX}$	Zbus clock high to output invalid	2.5	—	—	ns
$T_{KQLZ}$	Zbus clock high to output low-Z	1.0	—	6.0	ns
$T_{KQHZ}$	Zbus clock high to output high-Z	1.0	—	6.0	ns
$T_S$	Input setup time from system clock	3.0	—	—	ns
$T_H$	Input hold time from system clock	0	—	—	ns

Table 23 Zbus Interface Timing

AC Test Conditions

Input Rise/Fall Time	1 V / ns (20% / 80%)
Output timing measurement reference level ( $V_{REF}$ ) for 3.3V interfaces	( $V_{DDQ}/2$ ) V
Output load	As shown in Figure 3

Table 24 AC Test Conditions

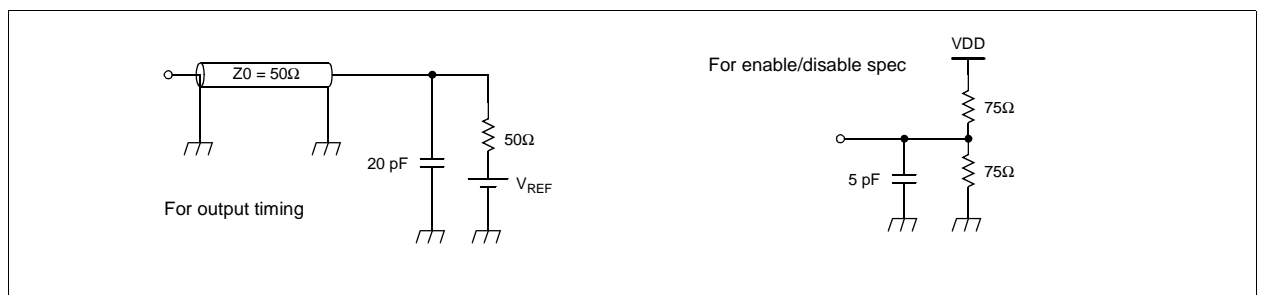


Figure 3 AC Test Load

### 89TTM552 Thermal Considerations

This section describes the temperature and heat sink calculations for flip-chip BGA devices.

Symbol	Parameter	Value	Units	Conditions
$\theta_{JA}$	Thermal resistance, junction to ambient (no heat sink)	9.0	°C / W	Still air.
		5.5	°C / W	200 FPM.
		4.5	°C / W	500 FPM
$\theta_{JB}$	Estimated thermal resistance, junction to board	2.2	°C / W	
$\theta_{JC}$	Thermal resistance, junction to case	0.19	°C / W	

Table 25 89TTM552 Thermal Characteristics

The thermal circuit is as shown below.

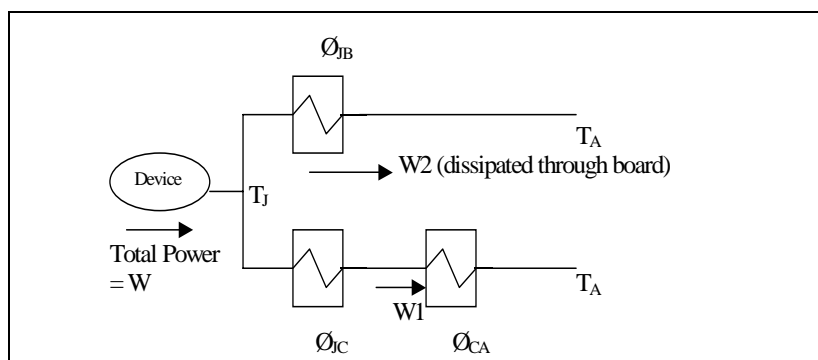


Figure 4 89TTM552 Thermal Circuit

For flip-chip BGA devices, there are two paths for heat dissipation: one through the package balls to the board and other through the package case to air. The device specifications provide  $\theta_{JB}$  and  $\theta_{JC}$  numbers. The  $\theta_{CA}$  number comes from the heat sink manufacturer and depends on type of heat sink (area, height, fin type, etc.) and the airflow across the heat sink. The device specifications also provide the maximum operating junction temperature ( $T_J$ ) that will not degrade the device reliability. The system designer should ensure that the device maximum junction temperature is not exceeded under any operating condition. One method of accomplishing this is to calculate the maximum ambient temperature ( $T_A$ ) that can be tolerated based on the above device parameters. The formula is shown below.

$$T_A = T_J - W \times \frac{\theta_{JB} \times (\theta_{JC} + \theta_{CA})}{\theta_{JB} + \theta_{JC} + \theta_{CA}}$$

The following graph depicts the ambient temperature ( $T_A$ ) versus  $\theta_{CA}$ .

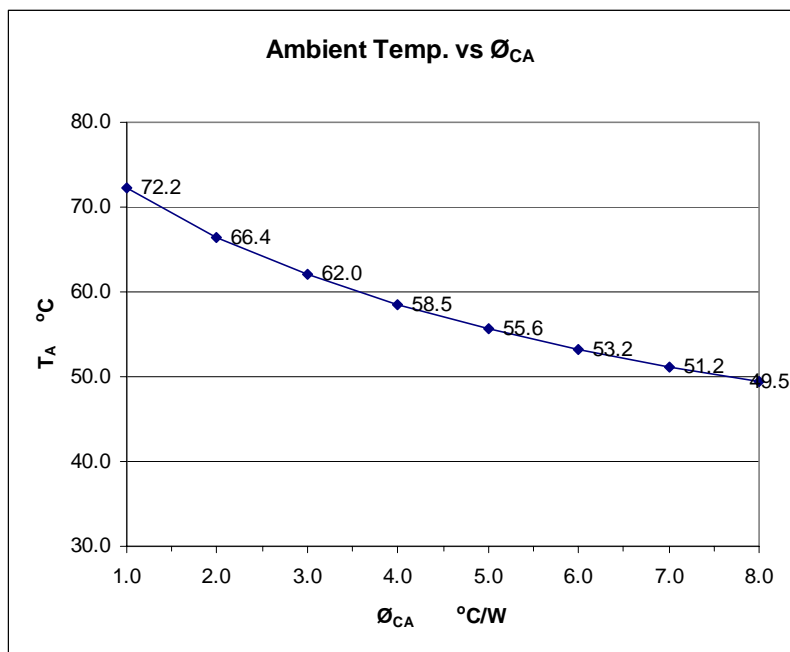


Figure 5 89TTM552 Ambient Temperature Curve

For system designers, specification of the maximum device junction temperature (operating) is critical, since it allows them to select a heat sink that meets the maximum ambient temperature requirements of their system.

The other parameter that is device package-specific is  $\theta_{JA}$ , without a heat sink, and is specified for various air-flow conditions. This is the intrinsic thermal resistance of the package (junction to case + case to ambient) and is mainly specified as a reference parameter. (This is when a heat sink is not present and the top surface of the package is essentially acting as the heat sink). However, in devices that have high power dissipation, heat sink usage is highly desirable. Consequently, system designers may have limited use for this parameter.

## 89TTM552 Reset Sequence

A PLL reset sequence must be followed when resetting the 89TTM552 to ensure that clocks are stable when the chip comes out of reset. This section describes the reset sequence for the 89TTM552 device.

The 89TTM552 uses data presented on the ZBus data and parity pins to determine the clock frequencies when the chip is in reset. The PLL\_CFG\_OVR pin controls this feature. When left high, the PLL will determine its clock frequency by sampling these values on the ZBus pins. The feature is not necessary if the default clock frequencies are desired. (The default frequency for the core clock is 133 MHz and 500 MHz for transmit and receive LVDS interfaces when a 100 MHz clock reference is used.) When default frequencies are desired, the PLL\_CFG\_OVR should be held low and it is not necessary to drive the ZBus data and parity lines during the reset.

### Core, LVDS Receive and Transmit PLL Frequency Setting

The reset sequence is summarized as follows:

1. Assert chip reset.
2. Drive LOR (latch on reset) values on ZBus (described below) and enable configuration override on all PLLs. (Configuration override remains ON forever).
3. Reset PLLs.
4. Release reset on PLLs.
5. Release chip reset.
6. Release LOR value on ZBus.

The following values must be driven on ZBUS\_AD[ ] and ZBUS\_PRTY before the reset sequences in order to set the chip operation frequency properly. Note that the setting is based on a 100MHz reference input clock (PLL\_SYS\_REFCLK pin).

ZB\_PRTY[1:0] = 0x3, must be driven "HIGH" for the entire reset sequence cycles

ZB\_AD[31:0] = bits are set as:

Core/system clock frequency

bit[12:0] = 0x154F = 187.50MHz  
 0x1527 = 175.00MHz  
 0x153a = 166.67MHz  
 0x1526 = 150.00MHz  
 0x1538 = 133.33MHz  
 0x1525 = 125.00MHz

LVDS RX clock frequency

bit[21:13] = 0x080 = 500.00MHz  
 0x060 = 400.00MHz  
 0x1C0 = 350.00MHz  
 0x1A0 = 300.00MHz  
 0x180 = 250.00MHz  
 0x160 = 200.00MHz

LVDS TX clock frequency

bit[30:22] = 0x080 = 500.00MHz  
 0x060 = 400.00MHz  
 0x1C0 = 350.00MHz  
 0x1A0 = 300.00MHz  
 0x180 = 250.00MHz  
 0x160 = 200.00MHz

bit[31] = 0x1, keep "HIGH" for entire cycles

## Reset Sequence Timing Diagram

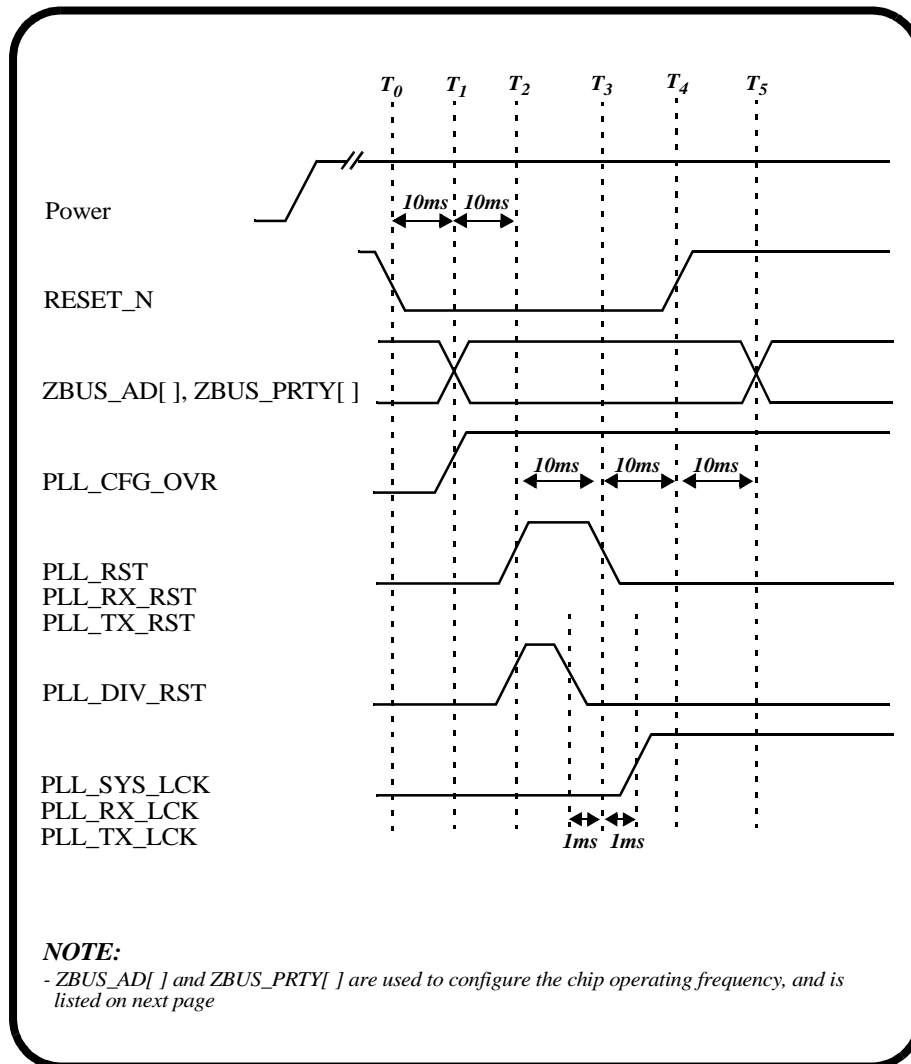


Figure 6 89TTM552 Reset Sequence Timing Diagram

## Pin List I/O Description

The 89TTM552 Pin List on page 22 uses the following I/O notations:

I	Input
O	Output
B	Bidirectional
P	Power

## 89TTM552 Pin List

Pin	Signal	Type
A2	FLQS_DIN12	I
A3	FLQS_DIN05	I
A4	FLQS_DIN09	I
A5	STAT_DEP09	O
A6	STAT_DEP06	O
A7	SAR_DIN08	I
A8	SAR_DIN05	I
A9	SAR_DIN02	I
A10	SAR_DOUT08	O
A11	SAR_DOUT05	O
A12	SAR_DOUT01	O
A13	SAR_WR_N	O
A14	SAR_RD_N	O
A15	SAR_ADDR16	O
A16	SAR_ADDR19	O
A17	SAR_ADDR13	O
A18	SAR_ADDR10	O
A19	SAR_ADDR09	O
A20	SAR_ADDR07	O
A21	SAR_ADDR03	O
A22	SAR_ADDR00	O
A23	LLST_ADDR10	O
A24	LLST_ADDR08	O
A25	VDD15	P
A26	VDD15	P
A27	MC_DOUT17	O
A28	VDD15	P
A29	MC_DOUT08	O
A30	MC_DOUT05	O
A31	MC_DOUT02	O
A32	MC_ADDR21	O
A33	MC_ADDR20	O
A34	MC_ADDR16	O
A35	VDD33(VDDP)	P
A36	TIC_1	O
A37	MC_ADDR09	O
B1	FLQS_DIN11	I
B2	FLQS_DIN10	I
B3	FLQS_DIN13	I
B4	FLQS_DIN04	I
B5	FLQS_DIN01	I
B6	STAT_DEP04	O

Pin	Signal	Type
B7	SAR_DIN07	I
B8	SAR_DIN06	I
B9	SAR_DIN04	I
B10	SAR_DIN00	I
B11	SAR_DOUT07	O
B12	SAR_DOUT04	O
B13	SAR_DOUT00	O
B14	SAR_CLK_KP	O
B15	SAR_ADDR18	O
B16	SAR_ADDR15	O
B17	SAR_ADDR17	O
B18	SAR_ADDR11	O
B19	SAR_ADDR08	O
B20	SAR_ADDR04	O
B21	SAR_ADDR02	O
B22	LLST_ADDR12	O
B23	LLST_ADDR07	O
B24	GND	P
B25	GND	P
B26	GND	P
B27	GND	P
B28	GND	P
B29	GND	P
B30	GND	P
B31	GND	P
B32	GND	P
B33	GND	P
B34	GND	P
B35	TIC_2	O
B36	MC_ADDR14	O
B37	MC_ADDR12	O
C1	FLQS_DIN16	I
C2	FLQS_DIN14	I
C3	VDD15	P
C4	FLQS_DIN06	I
C5	FLQS_DIN03	I
C6	FLQS_DIN_PRTY	I
C7	FLQS_TIC_IN	I
C8	FLQS_CLKIN	I
C9	SAR_DIN03	I
C10	SAR_DIN01	I
C11	SAR_DOUT06	O
C12	SAR_DOUT03	O

Pin	Signal	Type	Pin	Signal	Type
C13	SAR_DOUT02	O	D19	VDD15	P
C14	SAR_CLK_KN	O	D20	VDD15	P
C15	SAR_ADDR20	O	D21	VDD33(VDDP)	P
C16	SAR_ADDR21	O	D22	VDD33(VDDP)	P
C17	SAR_ADDR14	O	D23	VDD33(VDDP)	P
C18	SAR_ADDR12	O	D24	GND	P
C19	SAR_ADDR06	O	D25	GND	P
C20	SAR_ADDR05	O	D26	GND	P
C21	SAR_ADDR01	O	D27	GND	P
C22	GND	P	D28	GND	P
C23	GND	P	D29	GND	P
C24	VDD15	P	D30	GND	P
C25	VDD15	P	D31	GND	P
C26	VDD33(VDDP)	P	D32	GND	P
C27	VDD15	P	D33	GND	P
C28	VDD15	P	D34	VDD15	P
C29	VDD15	P	D35	VDD33(VDDP)	P
C30	VDD33(VDDP)	P	D36	MC_ADDR06	O
C31	VDD33(VDDP)	P	D37	MC_ADDR08	O
C32	VDD33(VDDP)	P	E1	FLQS_DIN18	I
C33	VDD15	P	E2	FLQS_DIN19	I
C34	VDD15	P	E3	FLQS_VREF0	P
C35	VDD33(VDDP)	P	E4	VDD15	P
C36	MC_ADDR11	O	E5	STAT_ARR11	O
C37	MC_ADDR10	O	E6	LLST_CLK_CN	I
D1	FLQS_DIN17	I	E7	STAT_ARR09	O
D2	FLQS_DIN15	I	E8	LLST_DIN14	I
D3	GND	P	E9	STAT_ARR02	O
D4	GND	P	E10	STAT_ARR00	O
D5	VDD33(VDDP)	P	E11	GND	P
D6	VDD33(VDDP)	P	E12	LLST_DIN06	I
D7	VDD15	P	E13	LLST_DIN04	I
D8	GND	P	E14	LLST_DOUT16	O
D9	VDD15	P	E15	LLST_DOUT15	O
D10	VDD33(VDDP)	P	E16	LLST_DIN00	I
D11	LLST_DIN08	I	E17	LLST_DOUT03	O
D12	VDD15	P	E18	LLST_DOUT09	O
D13	VDD33(VDDP)	P	E19	LLST_ADDR21	O
D14	VDD33(VDDP)	P	E20	LLST_ADDR17	O
D15	VDD15	P	E21	LLST_ADDR15	O
D16	VDD15	P	E22	LLST_ADDR11	O
D17	VDD15	P	E23	LLST_ADDR09	O
D18	GND	P	E24	LLST_ADDR05	O

Pin	Signal	Type	Pin	Signal	Type
E25	PP_VREF	P	F31	MC_DOUT01	O
E26	PP_D	I	F32	MC_ADDR18	O
E27	PP_CLK	I	F33	MC_ADDR15	O
E28	MC_CLK_KP	O	F34	VDD15	P
E29	MC_DOUT15	O	F35	VDD33(VDDP)	P
E30	MC_DOUT12	O	F36	MC_ADDR02	O
E31	MC_DOUT06	O	F37	MC_ADDR01	O
E32	MC_DOUT04	O	G1	FLOS_DOUT16	O
E33	MC_BW_N1	O	G2	FLOS_DOUT_PRTY	O
E34	GND	P	G3	FLOS_DOUT17	O
E35	GND	P	G4	VDD15	P
E36	MC_ADDR07	O	G5	STAT_TIC	O
E37	MC_ADDR03	O	G6	FLOS_DIN08	I
F1	FLOS_DIN20	I	G7	FLOS_DIN02	I
F2	FLOS_DIN21	I	G8	STAT_ARR_PRTY	O
F3	FLOS_VREF1	P	G9	STAT_ARR07	O
F4	VDD15	P	G10	LLST_DIN13	I
F5	STAT_ARR16	O	G11	LLST_DIN11	I
F6	STAT_ARR14	O	G12	STAT_ARR01	O
F7	LLST_DIN16	I	G13	LLST_CLK_KP	O
F8	LLST_DIN17	I	G14	LLST_DIN05	I
F9	GND	P	G15	LLST_DIN02	I
F10	LLST_DIN12	I	G16	LLST_DOUT11	O
F11	GND	P	G17	LLST_DOUT08	O
F12	SAR_CLK_CN	I	G18	LLST_DOUT02	O
F13	LLST_DIN07	I	G19	LLST_DOUT05	O
F14	LLST_DOUT17	O	G20	LLST_ADDR20	O
F15	LLST_DOUT12	O	G21	LLST_ADDR13	O
F16	LLST_DOUT10	O	G22	LLST_ADDR14	O
F17	LLST_DOUT04	O	G23	LLST_ADDR06	O
F18	LLST_DOUT01	O	G24	LLST_ADDR02	O
F19	LLST_ADDR18	O	G25	LLST_ADDR01	O
F20	GND	P	G26	PP_TIC	I
F21	LLST_ADDR19	O	G27	MC_WR_N	O
F22	LLST_ADDR16	O	G28	MC_DOUT14	O
F23	LLST_ADDR04	O	G29	MC_DOUT09	O
F24	LLST_ADDR03	O	G30	MC_DOUT03	O
F25	LLST_ADDR00	O	G31	MC_BW_N0	O
F26	PP_PRTY	I	G32	MC_ADDR05	O
F27	MC_RD_N	O	G33	MC_ADDR13	O
F28	MC_DOUT16	O	G34	VDD15	P
F29	MC_DOUT11	O	G35	VDD33(VDDP)	P
F30	MC_DOUT07	O	G36	MC_ADDR00	O



Pin	Signal	Type	Pin	Signal	Type
G37	MC_DIN17	I	J6	STAT_DEP08	O
H1	FLQS_DOUT14	O	J7	STAT_ARR17	O
H2	FLQS_DOUT13	O	J8	STAT_ARR10	O
H3	FLQS_DOUT15	O	J9	LLST_CLK_CP	I
H4	GND	P	J10	FLQS_DIN00	I
H5	STAT_CLK	O	J11	STAT_ARR04	O
H6	FLQS_DIN07	I	J12	LLST_DIN10	I
H7	STAT_ARR12	O	J13	LLST_WR_N	O
H8	STAT_ARR08	O	J14	LLST_DIN09	I
H9	STAT_ARR06	O	J15	LLST_CLK_KN	O
H10	LLST_DIN15	I	J16	LLST_DOUT13	O
H11	STAT_ARR05	O	J17	LLST_DOUT06	O
H12	STAT_ARR03	O	J18	ZBUS_GNT_N	I
H13	LLST_RD_N	O	J19	ZBUS_DEVID03	I
H14	SAR_CLK_CP	I	J20	ZBUS_DEVID04	I
H15	LLST_DIN03	I	J21	ZBUS_PRTY00	B
H16	LLST_DIN01	I	J22	ZBUS_CLK	I
H17	LLST_DOUT14	O	J23	ZBUS_AD29	B
H18	LLST_DOUT07	O	J24	ZBUS_AD27	B
H19	LLST_DOUT00	O	J25	ZBUS_AD25	B
H20	ZBUS_PRTY01	B	J26	ZBUS_AD23	B
H21	ZBUS_DEVID01	I	J27	ZBUS_AD19	B
H22	ZBUS_AVALID_N	B	J28	ZBUS_AD18	B
H23	ZBUS_AD31	B	J29	ZBUS_AD08	B
H24	ZBUS_AD28	B	J30	GND	P
H25	ZBUS_AD24	B	J31	GND	P
H26	MC_CLK_KN	O	J32	TMS	I
H27	MC_DOUT13	O	J33	MC_ADDR04	O
H28	MC_DOUT10	O	J34	GND	P
H29	MC_DOUT00	O	J35	MC_DIN13	I
H30	MC_ADDR19	O	J36	MC_DIN12	I
H31	MC_ADDR17	O	J37	MC_DIN11	I
H32	TDI	I	K1	FLQS_DOUT09	O
H33	VDD15	P	K2	FLQS_DOUT04	O
H34	GND	P	K3	FLQS_DOUT08	O
H35	MC_DIN16	I	K4	GND	P
H36	MC_DIN14	I	K5	FLQS_CLKOUT	O
H37	MC_DIN15	I	K6	STAT_DEP07	O
J1	FLQS_DOUT07	O	K7	STAT_DEP05	O
J2	FLQS_DOUT11	O	K8	STAT_VREF	P
J3	FLQS_DOUT10	O	K9	GND	P
J4	STAT_DEP10	O	K10	VDD18	P
J5	STAT_DEP00	O	K11	VDD18	P

Pin	Signal	Type	Pin	Signal	Type
K12	VDD18	P	L21	GND	P
K13	VDD18	P	L22	GND	P
K14	VDD18	P	L23	GND	P
K15	VDD18	P	L24	GND	P
K16	VDD18	P	L25	GND	P
K17	VDD18	P	L26	GND	P
K18	GND	P	L27	GND	P
K19	ZBUS_DEVID02	I	L28	VDD18	P
K20	ZBUS_DEVID00	I	L29	ZBUS_AD06	B
K21	ZBUS_DVALID_N	B	L30	ZBUS_AD04	B
K22	ZBUS_AD30	B	L31	GND	P
K23	ZBUS_AD22	B	L32	MC_CLK_CP	I
K24	ZBUS_AD26	B	L33	SCAN_SHIFT_N	I
K25	ZBUS_AD20	B	L34	GND	P
K26	ZBUS_AD14	B	L35	MC_DIN07	I
K27	ZBUS_AD15	B	L36	MC_DIN06	I
K28	ZBUS_AD11	B	L37	MC_DIN04	I
K29	ZBUS_AD07	B	M1	FLQS_DOUT01	O
K30	ZBUS_AD05	B	M2	FLQS_DOUT00	O
K31	GND	P	M3	FLQS_DOUT02	O
K32	MC_CLK_CN	I	M4	VDD33(VDDP)	P
K33	IDDO_N	I	M5	STAT_DEP12	O
K34	GND	P	M6	STAT_ARR15	O
K35	MC_DIN10	I	M7	STAT_DEP11	O
K36	MC_DIN08	I	M8	STAT_DEP01	O
K37	MC_DIN09	I	M9	GND	P
L1	FLQS_DOUT03	O	M10	VDD18	P
L2	FLQS_DOUT05	O	M11	GND	P
L3	FLQS_DOUT06	O	M12	VDD15	P
L4	GND	P	M13	VDD15	P
L5	FLQS_TIC_OUT	O	M14	VDD15	P
L6	STAT_DEP_PRTY	O	M15	VDD15	P
L7	STAT_ARR13	O	M16	VDD15	P
L8	STAT_DEP03	O	M17	VDD15	P
L9	GND	P	M21	VDD15	P
L10	GND	P	M22	VDD15	P
L11	GND	P	M23	VDD15	P
L12	GND	P	M24	VDD15	P
L13	GND	P	M25	VDD15	P
L14	GND	P	M26	VDD15	P
L15	GND	P	M27	GND	P
L16	GND	P	M28	VDD18	P
L17	GND	P	M29	ZBUS_AD02	B

Pin	Signal	Type	Pin	Signal	Type
M30	ZBUS_AD01	B	P29	ZBUS_AD00	B
M31	GND	P	P30	ZBUS_INT_N02	O
M32	SCAN_MODE_N	I	P31	TDO	O
M33	MC_VREF0	P	P32	TRST_N	I
M34	GND	P	P33	RESET_N	I
M35	MC_DIN05	I	P34	GND	P
M36	MC_DIN03	I	P35	PLL_SYS_MON	O
M37	MC_DIN02	I	P36	PLL_SYS_LCK	O
N1	TX_STAT_DN03	I	P37	PLL_RX_RST	I
N2	TX_STAT_SOFN	I	R1	TX_STAT_DP01	I
N3	TX_STAT_SOFP	I	R2	TX_STAT_CLKN	I
N4	VDD33(VDDP)	P	R3	TX_STAT_CLKP	I
N5	FLQS_DOUT12	O	R4	GND	P
N6	STAT_DEP02	O	R5	TX_SPI4_STAT_D00	I
N7	TURBO_DATA03	O	R6	PLL_TX_RST	I
N8	TURBO_DATA02	O	R7	TX_SPI4_STAT_CLK	I
N9	GND	P	R8	PLL_TX_LCK	I
N10	VDD18	P	R9	GND	P
N11	LLST_VREF0	P	R10	VDD18	P
N27	GND	P	R11	SAR_VREF	P
N28	VDD18	P	R27	VDD33	P
N29	ZBUS_DIR	O	R28	VDD18	P
N30	ZBUS_INT_N00	O	R29	ZBUS_INT_N01	O
N31	GND	P	R30	ZBUS_REQ_N	O
N32	MC_VREF1	P	R31	PLL_RST	I
N33	TCK	I	R32	PLL_RX_LCK	O
N34	GND	P	R33	PLL_CFG_OVR	I
N35	MC_DIN00	I	R34	RX_VREF0	P
N36	MC_DIN01	I	R35	RX_STAT_SOFN	O
N37	PLL_DIV_RST	I	R36	RX_STAT_SOFP	O
P1	TX_STAT_DP03	I	R37	RX_STAT_DP03	O
P2	TX_STAT_DN02	I	T1	TX_STAT_DN01	I
P3	TX_STAT_DP02	I	T2	TX_STAT_DN00	I
P4	GND	P	T3	TX_STAT_DP00	I
P5	TX_SPI4_STAT_D01	I	T4	GND	P
P6	TURBO_CLK	O	T5	VDDO_25V_LVDS_DST	P
P7	TURBO_DATA00	O	T6	GND	P
P8	TURBO_DATA01	O	T7	VDD18	P
P9	GND	P	T8	GND	P
P10	VDD18	P	T9	GND	P
P11	LLST_VREF1	P	T10	VDD18	P
P27	VDD33	P	T11	GND	P
P28	VDD18	P	T16	VDD18	P

Pin	Signal	Type	Pin	Signal	Type
T17	VDD18	P	U35	RX_STAT_CLKN	O
T18	VDD18	P	U36	RX_STAT_CLKP	O
T19	VDD18	P	U37	RX_STAT_DP01	O
T20	VDD18	P	V1	TX_SOFN	O
T21	VDD18	P	V2	TX_DN15	O
T22	VDD18	P	V3	TX_DP15	O
T27	VDD33	P	V4	GND	P
T28	VDD18	P	V5	PLL_TX_REFCLK	I
T29	ZBUS_AD03	B	V6	PLL_TX_VDDA	P
T30	ZBUS_AD09	B	V7	GND	P
T31	PLL_DDR_BYPCCLK	I	V8	VDD18	P
T32	RX_SPI4_STAT_D01	O	V9	GND	P
T33	RX_SPI4_STAT_D00	O	V10	VDDO_25V_LVDS_DST	P
T34	RX_VREF1	P	V16	VDD18	P
T35	RX_STAT_DN02	O	V17	VDD18	P
T36	RX_STAT_DP02	O	V18	VDD18	P
T37	RX_STAT_DN03	O	V19	VDD18	P
U1	TX_SOFN	O	V20	VDD18	P
U2	TX_STAT_PRTYN	I	V21	VDD18	P
U3	TX_STAT_PRTYP	I	V22	VDD18	P
U4	GND	P	V28	VDDO_25V_LVDS_DSR	P
U5	VDDO_25V_LVDS_DST	P	V29	ZBUS_AD13	B
U6	GND	P	V30	ZBUS_AD12	B
U7	VDD18	P	V31	PLL_SYS_REFCLK	I
U8	GND	P	V32	PLL_SYS_VDD	P
U9	GND	P	V33	PLL_SYS_VSSA	P
U10	VDD18	P	V34	VDDO_25V_LVDS_DSR	P
U11	GND	P	V35	RX_STAT_DP00	O
U16	GND	P	V36	RX_STAT_DN00	O
U17	GND	P	V37	RX_STAT_DN01	O
U18	GND	P	W1	TX_DP13	O
U19	GND	P	W2	TX_DN14	O
U20	GND	P	W3	TX_DP14	O
U21	GND	P	W4	GND	P
U22	GND	P	W5	PLL_TX_VDD	P
U27	VDD33	P	W6	PLL_TX_VSSA	P
U28	VDD18	P	W7	GND	P
U29	ZBUS_AD10	B	W8	VDD18	P
U30	ZBUS_AD17	B	W9	GND	P
U31	RX_SPI4_STAT_CLK	O	W10	VDDO_25V_LVDS_DST	P
U32	GND	P	W16	GND	P
U33	PLL_SYS_VDDA	P	W17	GND	P
U34	VDDO_25V_LVDS_DSR	P	W18	GND	P

Pin	Signal	Type	Pin	Signal	Type
W19	GND	P	AA3	TX_DN11	O
W20	GND	P	AA4	VDD18	P
W21	GND	P	AA5	VDD0_25V_LVDS_DST	P
W22	GND	P	AA6	GND	P
W28	VDD0_25V_LVDS_DSR	P	AA7	VDD18	P
W29	ZBUS_AD21	B	AA8	GND	P
W30	ZBUS_AD16	B	AA9	VDD26	P
W31	VDD33	P	AA10	GND	P
W32	VDD33	P	AA11	VDD33	P
W33	GND	P	AA16	GND	P
W34	VDD0_25V_LVDS_DSR	P	AA17	GND	P
W35	RX_STAT_PRTYN	O	AA18	GND	P
W36	RX_STAT_PRTYP	O	AA19	GND	P
W37	RX_SOFN	I	AA20	GND	P
Y1	TX_DN13	O	AA21	GND	P
Y2	TX_DN12	O	AA22	GND	P
Y3	TX_DP12	O	AA27	PLL_RX_VDDA	P
Y4	GND	P	AA28	PLL_RX_VSSA	P
Y5	VDD0_25V_LVDS_DST	B	AA29	VDD26	P
Y6	GND	P	AA30	VDD18	P
Y7	GND	P	AA31	VDD18	P
Y8	VDD18	P	AA32	GND	P
Y9	GND	P	AA33	PLL_RX_REFCLK	I
Y10	VDD0_25V_LVDS_DST	P	AA34	VDD0_25V_LVDS_DSR	P
Y16	VDD18	P	AA35	RX_DN14	I
Y17	VDD18	P	AA36	RX_DP14	I
Y18	VDD18	P	AA37	RX_DN13	I
Y19	VDD18	P	AB1	TX_DP10	O
Y20	VDD18	P	AB2	TX_DN09	O
Y21	VDD18	P	AB3	TX_DP09	O
Y22	VDD18	P	AB4	VDD18	P
Y28	VDD0_25V_LVDS_DSR	P	AB5	TX_VREF0	P
Y29	GND	P	AB6	GND	P
Y30	VDD18	P	AB7	VDD18	P
Y31	VDD18	P	AB8	GND	P
Y32	GND	P	AB9	VDD26	P
Y33	GND	P	AB10	GND	P
Y34	VDD18	B	AB11	VDD33	P
Y35	RX_DN15	I	AB16	VDD18	P
Y36	RX_DP15	I	AB17	VDD18	P
Y37	RX_SOFP	I	AB18	VDD18	P
AA1	TX_DN10	O	AB19	VDD18	P
AA2	TX_DP11	O	AB20	VDD18	P

Pin	Signal	Type	Pin	Signal	Type
AB21	VDD18	P	AD9	VDD26	P
AB22	VDD18	P	AD10	GND	P
AB27	PLL_RX_VDD	P	AD11	VDD18	P
AB28	GND	P	AD27	VDD18	P
AB29	VDD26	P	AD28	GND	P
AB30	VDD18	P	AD29	VDD26	P
AB31	VDD18	P	AD30	VDD18	P
AB32	GND	P	AD31	VDD18	P
AB33	VDD18	B	AD32	GND	P
AB34	VDD18	P	AD33	VDD18	P
AB35	RX_DN12	I	AD34	VDD18	P
AB36	RX_DP12	I	AD35	RX_DP09	I
AB37	RX_DP13	I	AD36	RX_DN09	I
AC1	TX_CLKN	O	AD37	RX_DP10	I
AC2	TX_DP08	O	AE1	TX_DN05	O
AC3	TX_DN08	O	AE2	TX_DN06	O
AC4	TX_VREF1	P	AE3	TX_DP06	O
AC5	TX_VREF	P	AE4	TX_VREF3	P
AC6	GND	P	AE5	GND	P
AC7	VDD18	P	AE6	VDD26	P
AC8	GND	P	AE7	GND	P
AC9	VDD26	P	AE8	VDD26	P
AC10	GND	P	AE9	VDD26	P
AC11	VDD18	P	AE10	GND	P
AC27	VDD18	P	AE11	VDD18	P
AC28	GND	P	AE27	VDD18	P
AC29	VDD26	P	AE28	GND	P
AC30	VDD18	P	AE29	VDD26	P
AC31	VDD18	P	AE30	VDD26	P
AC32	GND	P	AE31	VDD18	P
AC33	GND	P	AE32	GND	P
AC34	VDD18	P	AE33	VDD26	P
AC35	RX_DN11	I	AE34	VDD18	P
AC36	RX_DP11	I	AE35	RX_DP08	I
AC37	RX_DN10	I	AE36	RX_DN08	I
AD1	TX_CLKP	O	AE37	RX_CLKP	I
AD2	TX_DN07	O	AF1	TX_DP05	O
AD3	TX_DP07	O	AF2	TX_DN04	O
AD4	VDD18	P	AF3	TX_DP04	O
AD5	TX_VREF2	P	AF4	TX_VREF4	P
AD6	GND	P	AF5	GND	P
AD7	VDD18	P	AF6	VDD26	P
AD8	GND	P	AF7	GND	P

Pin	Signal	Type	Pin	Signal	Type
AF8	VDD26	P	AG32	DRAM1_ADDR12	O
AF9	VDD26	P	AG33	DRAM1_ADDR11	O
AF10	GND	P	AG34	VDD26	P
AF11	VDD18	P	AG35	RX_DP06	I
AF27	VDD18	P	AG36	RX_DN06	I
AF28	GND	P	AG37	RX_DN05	I
AF29	VDD26	P	AH1	TX_DN02	O
AF30	VDD26	P	AH2	TX_DN01	O
AF31	VDD18	P	AH3	TX_DP01	O
AF32	GND	P	AH4	VDD26	P
AF33	VDD26	P	AH5	VDD26	P
AF34	VDD26	P	AH6	DRAM0_WE_N	O
AF35	RX_DP07	I	AH7	GND	P
AF36	RX_DN07	I	AH8	VDD26	P
AF37	RX_CLKN	I	AH9	VDD26	P
AG1	TX_DP02	O	AH10	GND	P
AG2	TX_DN03	O	AH11	VDD26	P
AG3	TX_DP03	O	AH12	VDD26	P
AG4	VDD26	P	AH13	VDD26	P
AG5	VDD26	P	AH14	VDD26	P
AG6	VDD26	P	AH15	VDD26	P
AG7	GND	P	AH16	VDD26	P
AG8	VDD26	P	AH17	VDD26	P
AG9	VDD26	P	AH18	VDD26	P
AG10	GND	P	AH19	VDD26	P
AG11	VDD18	P	AH20	VDD26	P
AG12	VDD26	P	AH21	VDD26	P
AG13	VDD26	P	AH22	VDD26	P
AG14	VDD26	P	AH23	VDD26	P
AG15	VDD26	P	AH24	VDD26	P
AG16	VDD26	P	AH25	VDD26	P
AG17	VDD26	P	AH26	VDD26	P
AG21	VDD26	P	AH27	VDD26	P
AG22	VDD26	P	AH28	GND	P
AG23	VDD26	P	AH29	VDD26	P
AG24	VDD26	P	AH30	VDD26	P
AG25	VDD26	P	AH31	VDD18	P
AG26	VDD26	P	AH32	DRAM1_ADDR10	O
AG27	VDD18	P	AH33	DRAM1_ADDR09	O
AG28	GND	P	AH34	VDD26	P
AG29	VDD26	P	AH35	RX_DP04	I
AG30	VDD26	P	AH36	RX_DN04	I
AG31	VDD18	P	AH37	RX_DP05	I

Pin	Signal	Type	Pin	Signal	Type
AJ1	TX_PRTYP	O	AK7	GND	P
AJ2	TX_DP00	O	AK8	GND	P
AJ3	TX_DN00	O	AK9	VDD26	P
AJ4	VDD26	P	AK10	GND	P
AJ5	DRAM0_RAS_N	O	AK11	GND	P
AJ6	DRAM0_CS_N	O	AK12	GND	P
AJ7	GND	P	AK13	GND	P
AJ8	VDD26	P	AK14	GND	P
AJ9	VDD26	P	AK15	GND	P
AJ10	GND	P	AK16	GND	P
AJ11	VDD26	P	AK17	GND	P
AJ12	GND	P	AK18	VDD26	P
AJ13	GND	P	AK19	VDD26	P
AJ14	GND	P	AK20	VDD26	P
AJ15	GND	P	AK21	GND	P
AJ16	GND	P	AK22	GND	P
AJ17	GND	P	AK23	GND	P
AJ18	GND	P	AK24	GND	P
AJ19	GND	P	AK25	GND	P
AJ20	GND	P	AK26	GND	P
AJ21	GND	P	AK27	GND	P
AJ22	GND	P	AK28	GND	P
AJ23	GND	P	AK29	VDD26	P
AJ24	GND	P	AK30	VDD18	P
AJ25	GND	P	AK31	VDD18	P
AJ26	GND	P	AK32	DRAM1_ADDR06	O
AJ27	VDD26	P	AK33	DRAM1_ADDR05	O
AJ28	GND	P	AK34	VDD26	P
AJ29	VDD26	P	AK35	RX_DP01	I
AJ30	VDD26	P	AK36	RX_DN01	I
AJ31	VDD18	P	AK37	RX_DP02	I
AJ32	DRAM1_ADDR08	O	AL1	DRAM0_BNK00	O
AJ33	DRAM1_ADDR07	O	AL2	DRAM0_D07	B
AJ34	VDD26	P	AL3	DRAM0_D06	B
AJ35	RX_DN03	I	AL4	GND	P
AJ36	RX_DP03	I	AL5	VDD26	P
AJ37	RX_DN02	I	AL6	VDD26	P
AK1	TX_PRTYN	O	AL7	DRAM0_D31	B
AK2	DRAM0_BNK01	O	AL8	DRAM0_D34	B
AK3	DRAM0_CAS_N	O	AL9	DRAM0_DQS03	B
AK4	VDD26	P	AL10	DRAM0_D27	B
AK5	DRAM0_CKE	O	AL11	DRAM0_D22	B
AK6	VDD26	P	AL12	DRAM0_D20	B



Pin	Signal	Type	Pin	Signal	Type
AL13	DRAM0_D16	B	AM19	DRAM1_D37	B
AL14	DRAM0_D17	B	AM20	DRAM1_D35	B
AL15	VDD26	P	AM21	DRAM1_D32	B
AL16	VDD26	P	AM22	DRAM1_D30	B
AL17	VDD26	P	AM23	DRAM1_D28	B
AL18	GND	P	AM24	DRAM1_D23	B
AL19	GND	P	AM25	DRAM1_D22	B
AL20	GND	P	AM26	DRAM1_D25	B
AL21	VDD26	P	AM27	DRAM1_D18	B
AL22	VDD26	P	AM28	DRAM1_D15	B
AL23	VDD26	P	AM29	DRAM1_D13	B
AL24	VDD26	P	AM30	DRAM1_D10	B
AL25	DRAM1_D24	B	AM31	DRAM1_D11	B
AL26	DRAM1_DQS02	B	AM32	DRAM1_D00	B
AL27	DRAM1_D20	B	AM33	DRAM1_DQS00	B
AL28	GND	P	AM34	VDD26	P
AL29	GND	P	AM35	DRAM1_ADDR01	O
AL30	DRAM1_DQS01	B	AM36	DRAM1_ADDR02	O
AL31	DRAM1_D01	B	AM37	RX_PRTYN	I
AL32	DRAM1_ADDR04	O	AN1	DRAM0_D02	B
AL33	DRAM1_ADDR03	O	AN2	DRAM0_D03	B
AL34	VDD26	P	AN3	DRAM0_D00	B
AL35	RX_DP00	I	AN4	GND	P
AL36	RX_DN00	I	AN5	DRAM0_D35	B
AL37	RX_PRTYP	I	AN6	DRAM0_D36	B
AM1	DRAM0_D05	B	AN7	DRAM0_D30	B
AM2	DRAM0_D04	B	AN8	DRAM0_D33	B
AM3	DRAM0_DQS00	B	AN9	DRAM0_D29	B
AM4	GND	P	AN10	DRAM0_D25	B
AM5	VDD26	P	AN11	DRAM0_DQS02	B
AM6	DRAM0_D32	B	AN12	DRAM0_D21	B
AM7	DRAM0_DQS04	B	AN13	DRAM0_D12	B
AM8	DRAM0_D28	B	AN14	DRAM0_D14	B
AM9	DRAM0_D26	B	AN15	DRAM0_D15	B
AM10	DRAM0_D24	B	AN16	DRAM0_D10	B
AM11	DRAM0_D23	B	AN17	DRAM0_D08	B
AM12	DRAM0_D19	B	AN18	DRAM1_D38	B
AM13	DRAM0_D18	B	AN19	DRAM1_D36	B
AM14	DRAM0_D13	B	AN20	DRAM1_DQS04	B
AM15	DRAM0_DQS01	B	AN21	DRAM1_D34	B
AM16	DRAM0_D09	B	AN22	DRAM1_D31	B
AM17	DRAM0_D11	B	AN23	DRAM1_D29	B
AM18	DRAM1_D39	B	AN24	DRAM1_DQS03	B

Pin	Signal	Type	Pin	Signal	Type
AN25	DRAM1_D27	B	AP31	GND	P
AN26	DRAM1_D17	B	AP32	GND	P
AN27	DRAM1_D21	B	AP33	GND	P
AN28	DRAM1_D19	B	AP34	GND	P
AN29	DRAM1_D14	B	AP35	DRAM1_D03	B
AN30	DRAM1_D12	B	AP36	DRAM1_D05	B
AN31	DRAM1_D08	B	AP37	DRAM1_D04	B
AN32	DRAM1_D09	B	AR1	DRAM_CLKN02	O
AN33	DRAM1_D02	B	AR2	DRAM_CLKP02	O
AN34	VDD26	P	AR3	GND	P
AN35	DRAM1_D07	B	AR4	DRAM0_D70	B
AN36	DRAM1_D06	B	AR5	DRAM0_D67	B
AN37	DRAM1_ADDR00	O	AR6	DRAM0_D65	B
AP1	DRAM0_D01	B	AR7	DRAM0_ADDR11	O
AP2	DRAM0_D37	B	AR8	DRAM_VREF5	P
AP3	DRAM0_D39	B	AR9	DRAM0_ADDR06	O
AP4	GND	P	AR10	DRAM0_ADDR04	O
AP5	GND	P	AR11	DRAM0_D63	B
AP6	GND	P	AR12	DRAM0_D61	B
AP7	GND	P	AR13	DRAM0_D59	B
AP8	VDD26	P	AR14	DRAM0_D54	B
AP9	VDD26	P	AR15	DRAM0_D52	B
AP10	GND	P	AR16	DRAM0_DQS06	B
AP11	GND	P	AR17	DRAM0_D48	B
AP12	GND	P	AR18	DRAM0_D44	B
AP13	DRAM_VREF0	P	AR19	DRAM_CLKN01	O
AP14	DRAM_VREF1	P	AR20	DRAM1_D68	B
AP15	DRAM_VREF2	P	AR21	DRAM1_D69	B
AP16	VDD26	P	AR22	DRAM1_D64	B
AP17	VDD26	P	AR23	DRAM1_D26	B
AP18	VDD26	P	AR24	DRAM1_DQS07	B
AP19	VDD26	P	AR25	DRAM1_D59	B
AP20	VDD26	P	AR26	DRAM1_D54	B
AP21	VDD26	P	AR27	DRAM1_D53	B
AP22	VDD26	P	AR28	DRAM1_D50	B
AP23	DRAM_VREF3	P	AR29	DRAM1_D49	B
AP24	DRAM_VREF4	P	AR30	DRAM_VREF6	P
AP25	VDD26	P	AR31	DRAM_VREF7	P
AP26	VDD26	P	AR32	DRAM1_D46	B
AP27	GND	P	AR33	DRAM1_D47	B
AP28	GND	P	AR34	DRAM1_D42	B
AP29	GND	P	AR35	VDD26	P
AP30	GND	P	AR36	DRAM_CLKN00	O

Pin	Signal	Type	Pin	Signal	Type
AR37	DRAM_CLKP00	O	AU6	DRAM0_ADDR08	O
AT1	VDD26	P	AU7	DRAM0_ADDR05	O
AT2	VDD26	P	AU8	DRAM0_ADDR02	O
AT3	DRAM0_D69	B	AU9	DRAM0_ADDR00	O
AT4	DRAM0_DQS08	B	AU10	DRAM0_D60	B
AT5	DRAM0_D66	B	AU11	DRAM0_D58	B
AT6	DRAM0_ADDR12	O	AU12	DRAM0_D56	B
AT7	DRAM0_ADDR09	O	AU13	DRAM0_D53	B
AT8	DRAM0_ADDR07	O	AU14	DRAM0_D49	B
AT9	DRAM0_ADDR03	O	AU15	DRAM0_D47	B
AT10	DRAM0_ADDR01	O	AU16	DRAM0_D46	B
AT11	DRAM0_D62	B	AU17	DRAM0_DQS05	B
AT12	DRAM0_DQS07	B	AU18	DRAM0_D43	B
AT13	DRAM0_D57	B	AU19	DRAM0_D41	B
AT14	DRAM0_D55	B	AU20	DRAM0_D40	B
AT15	DRAM0_D51	B	AU21	DRAM1_D71	B
AT16	DRAM0_D50	B	AU22	DRAM1_D33	B
AT17	DRAM0_D45	B	AU23	DRAM1_D66	B
AT18	DRAM0_D42	B	AU24	DRAM1_D65	B
AT19	DRAM_CLKP01	O	AU25	DRAM1_D62	B
AT20	DRAM1_D70	B	AU26	DRAM1_D60	B
AT21	DRAM1_DQS08	B	AU27	DRAM1_D56	B
AT22	DRAM1_D67	B	AU28	DRAM1_D55	B
AT23	DRAM1_D63	B	AU29	DRAM1_D51	B
AT24	DRAM1_D61	B	AU30	DRAM1_D16	B
AT25	DRAM1_D58	B	AU31	DRAM1_RAS_N	O
AT26	DRAM1_D57	B	AU32	DRAM1_CKE	O
AT27	DRAM1_D52	B	AU33	DRAM1_BNK01	O
AT28	DRAM1_DQS06	B	AU34	DRAM1_BNK00	O
AT29	DRAM1_D48	B	AU35	DRAM1_D44	B
AT30	DRAM1_WE_N	O	AU36	DRAM1_D43	B
AT31	DRAM1_CS_N	O	AU37	DRAM1_D40	B
AT32	DRAM1_CAS_N	O			
AT33	DRAM1_D45	B			
AT34	DRAM1_DQS05	B			
AT35	DRAM1_D41	B			
AT36	VDD26	P			
AT37	VDD26	P			
AU1	DRAM0_D38	B			
AU2	DRAM0_D71	B			
AU3	DRAM0_D68	B			
AU4	DRAM0_D64	B			
AU5	DRAM0_ADDR10	O			

## 89TTM552 Package

The package is an ASE HFCBGA-HP, having 1192 pins, with 1 mm pitch; a 37 × 37 pin array; and a 40 × 40 mm enclosure. Figure 7 shows the package geometry.

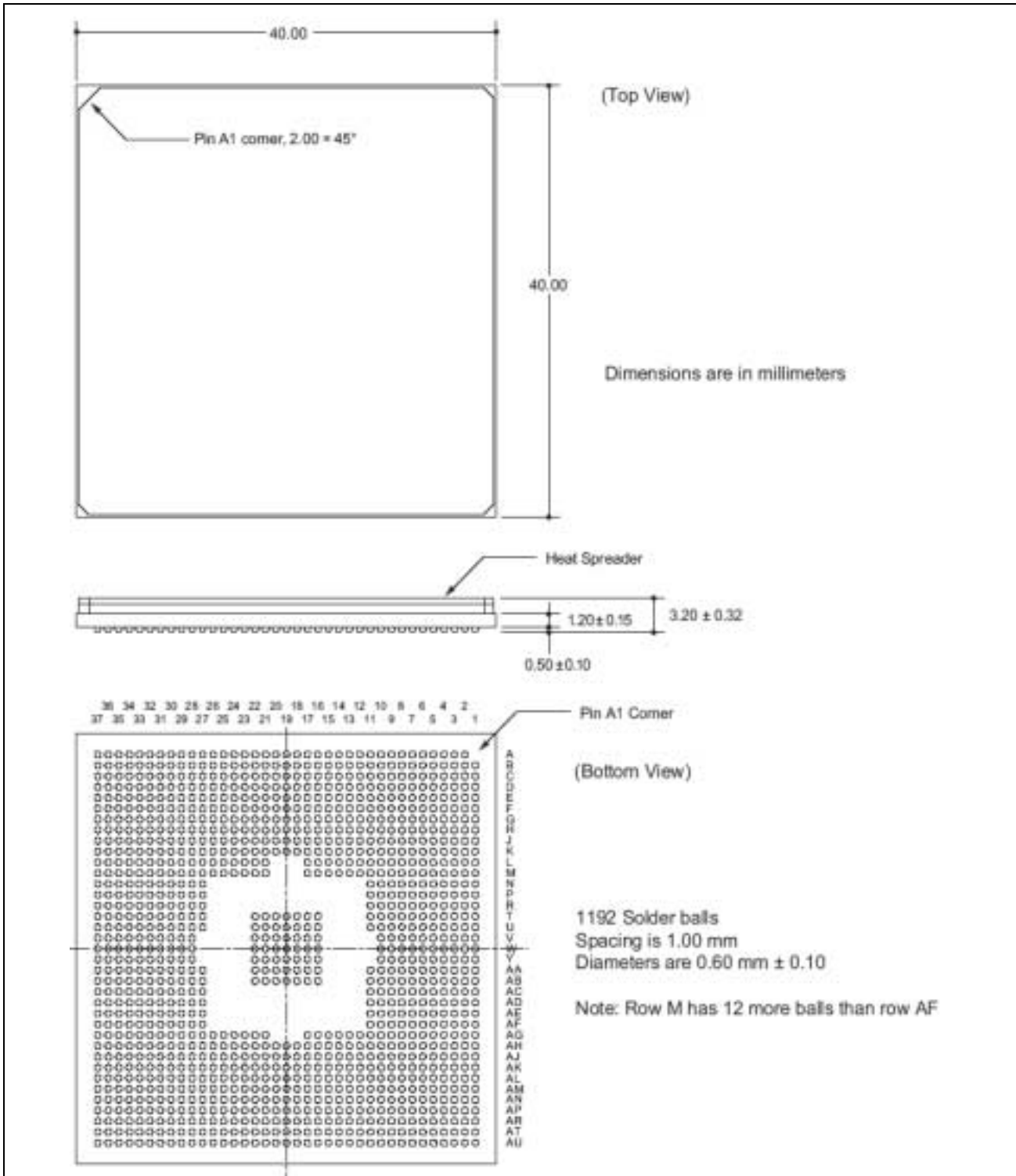


Figure 7 89TTM552 Package Diagram

