



TEB1033 TEF1033-TEC1033

PRECISION DUAL OPERATIONAL AMPLIFIERS

NOT FOR NEW DESIGN

- VERY LOW INPUT OFFSET VOLTAGE :
1mV max.
- LOW DISTORTION RATIO
- LOW NOISE
- VERY LOW SUPPLY CURRENT
- LOW INPUT OFFSET CURRENT
- LARGE COMMON-MODE RANGE
- HIGH OUTPUT CURRENT
- GAIN-BANDWIDTH PRODUCT : 2MHz
- TEMPERATURE DRIFT : $2\mu\text{V}/^\circ\text{C}$
- LONG TERM STABILITY : $8\mu\text{V}/\text{YEAR}$
(for $T_{\text{amb}} \leq 50^\circ\text{C}$)
- SHORT CIRCUIT PROTECTION

DESCRIPTION

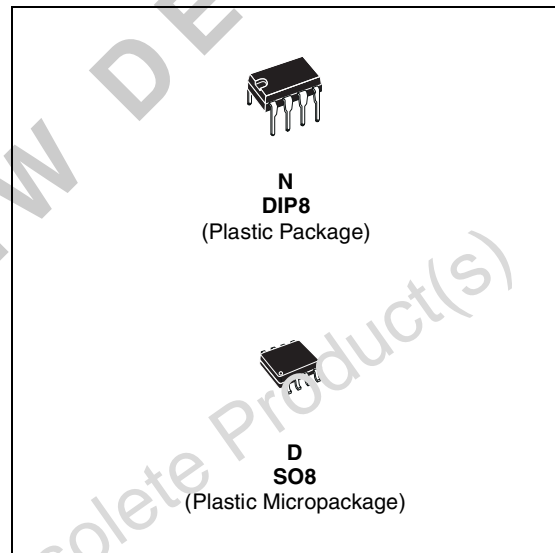
The TEB1033, TEF1033 and TEC1033 are high performance dual operational amplifiers intended for active filter applications. The internal phase compensation allows stable operation as voltage follower in spite of their high gain-bandwidth product.

The circuit presents very stable electrical characteristics over the entire supply voltage range.

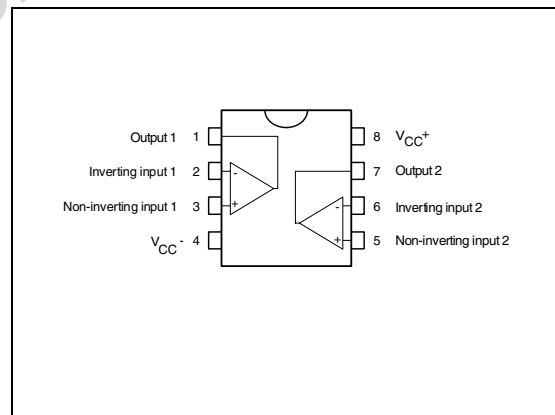
ORDER CODE

Part Number	Temperature Range	Package	
		N	D
TEB1033	$0^\circ\text{C}, +70^\circ\text{C}$	•	•
TEF1033	$-40^\circ\text{C}, +105^\circ\text{C}$	•	•
TEC1033	$-55^\circ\text{C}, +125^\circ\text{C}$	•	•
Example : TEB1033N			

N = Dual in Line Package (DIP)
D = Small Outline Package (SO) - also available in Tape & Reel (DT)

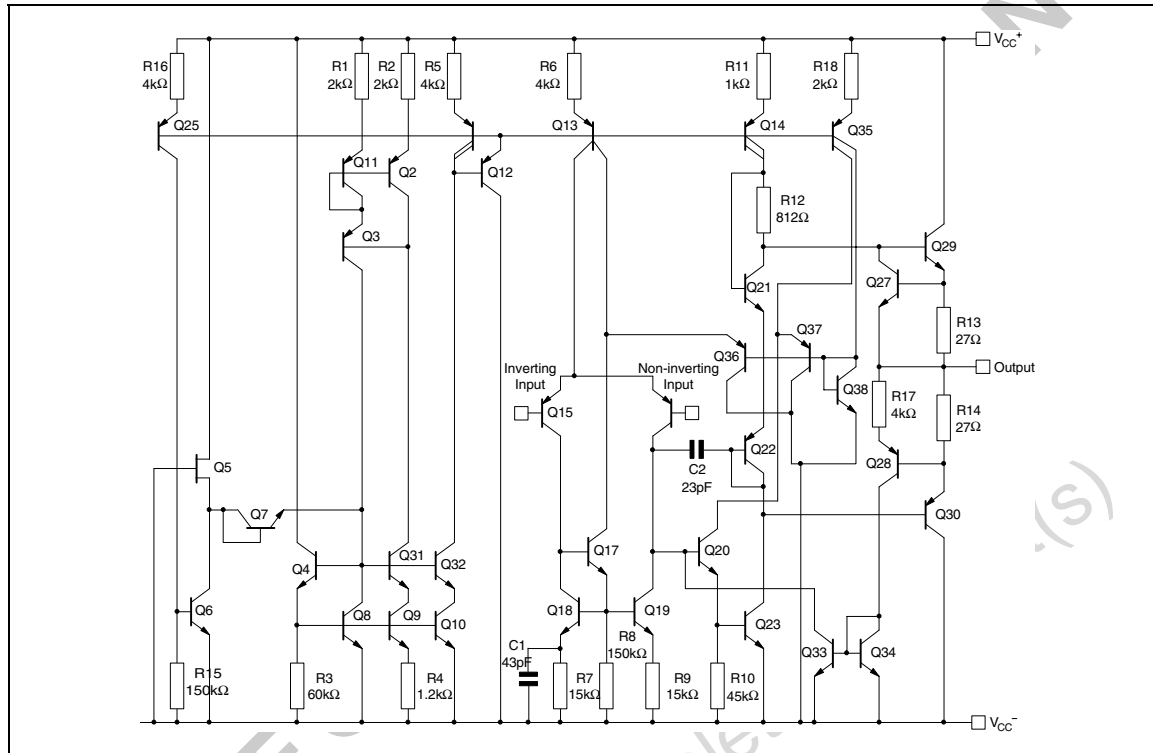


PIN CONNECTIONS (top view)



TEB1033-TEF1033-TEC1033

SCHEMATIC DIAGRAM (1/2 TEB1033)



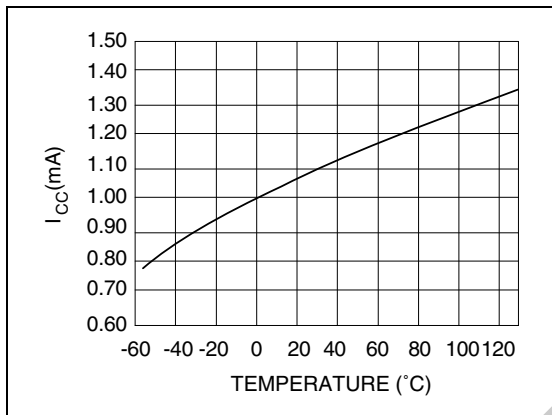
ABSOLUTE MAXIMUM RATINGS

Symbol	Parameter	Value	Unit	
V_{CC}	Supply Voltage	± 18	V	
V_{id}	Differential Input Voltage	$\pm (V_{CC} - 1)$	V	
V_i	Input Voltage	$\pm V_{CC}$	V	
P_{tot}	Power Dissipation	D suffix N suffix	400 665	mW
T_{oper}	Operating Free-Air Temperature Range	TEB1033 TEF1033 TEC1033	0 to +70 -40 to 105 -55 to +125	$^{\circ}\text{C}$
T_{stg}	Storage Temperature		-65 to +150	$^{\circ}\text{C}$

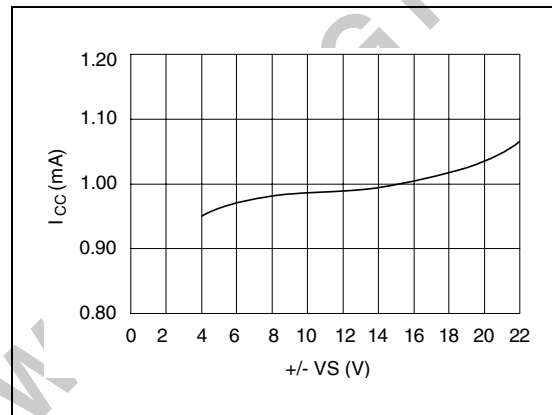
ELECTRICAL CHARACTERISTICS $V_{CC} = \pm 15V$, $T_{amb} = 25^{\circ}C$ (unless otherwise specified)

Symbol	Parameter	Min.	Typ.	Max.	Unit
V_{io}	Input Offset Voltage ($R_S \leq 10k\Omega$) $T_{amb} = 25^{\circ}C$ $T_{min.} \leq T_{amb} \leq T_{max.}$		0.3	1 3	mV
DV_{io}	Input Offset Voltage Drift		2		$\mu V/^{\circ}C$
I_{io}	Input Offset Current $T_{amb} = 25^{\circ}C$ $T_{min.} \leq T_{amb} \leq T_{max.}$		5	20 40	nA
I_{ib}	Input Bias Current $T_{amb} = 25^{\circ}C$ $T_{min.} \leq T_{amb} \leq T_{max.}$		50	100 200	nA
A_{vd}	Large Signal Voltage Gain ($R_L = 2k\Omega$, $V_o = \pm 10V$) $T_{amb} = +25^{\circ}C$ $T_{min.} \leq T_{amb} \leq T_{max.}$	80 40	120		V/mV
SVR	Supply Voltage Rejection Ratio (DV_{CC} from $\pm 15V$ to $\pm 4V$) $T_{amb} = 25^{\circ}C$ $T_{min.} \leq T_{amb} \leq T_{max.}$	80 70	100		dB
I_{CC}	Supply Current, all amplifiers, no load $T_{amb} = 25^{\circ}C$ $T_{min.} \leq T_{amb} \leq T_{max.}$		1	1.5 2	mA
V_{icm}	Input Common Mode Voltage Range $T_{amb} = 25^{\circ}C$	± 12			V
CMR	Common-mode Rejection Ratio ($R_S \leq 10k\Omega$, $V_i = \pm 10V$) $T_{amb} = 25^{\circ}C$ $T_{min.} \leq T_{amb} \leq T_{max.}$	80 70	100		dB
I_{os}	Output Short Circuit Current $T_{amb} = 25^{\circ}C$ $T_{min.} \leq T_{amb} \leq T_{max.}$	10 10	23	40 40	mA
$\pm V_{opp}$	Output Voltage Swing $T_{amb} = 25^{\circ}C$ $R_L = 2k\Omega$ $T_{min.} \leq T_{amb} \leq T_{max.}$ $R_L = 2k\Omega$ $V_{CC} = \pm 4V$, $R_L = 2k\Omega$, $T_{amb} = 25^{\circ}C$ $V_{CC} = \pm 6V$, $R_L = 600\Omega$, $T_{amb} = 25^{\circ}C$	13 12 2.8 4.6	14 3		V
SR	Slew Rate ($V_i = \pm 10V$, $R_L = 2k\Omega$, $C_L = 100pF$, $T_{amb} = 25^{\circ}C$, unity gain)	0.6	1		$V/\mu s$
GBP	Gain Bandwidth Product ($f = 100kHz$, $T_{amb} = 25^{\circ}C$? $V_{in} = 10mV$, $R_L = 2k\Omega$, $C_L = 100pF$)	1.5	2		MHz
R_i	Input Resistance		1		$M\Omega$
THD	Total Harmonic Distortion ($f = 1kHz$, $A_v = 20dB$, $R_L = 2k\Omega$, $V_o = 2V_{pp}$, $C_L = 100pF$, $T_{amb} = 25^{\circ}C$)		0.008		%
e_n	Equivalent Input Noise Voltage ($f = 1kHz$) $R_S = 50\Omega$ $R_S = 1k\Omega$ $R_S = 10k\Omega$		8 10 18		$\frac{nV}{\sqrt{Hz}}$
V_{opp}	Large Signal Voltage Swing $R_L = 10k\Omega$, $f = 10kHz$	26	28		V
ϕ_m	Phase Margin		45		Degrees
V_{O1}/V_{O2}	Channel Separation		120		dB

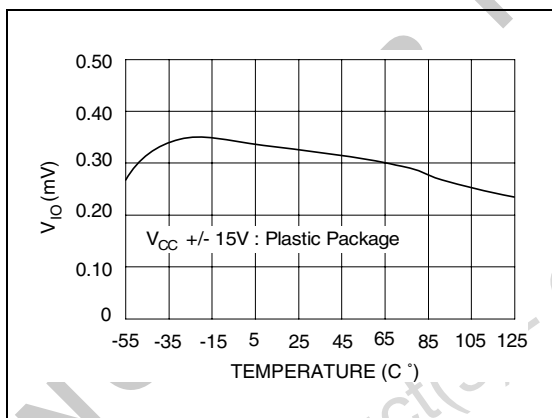
SUPPLY CURRENT vs AMBIENT TEMPERATURE



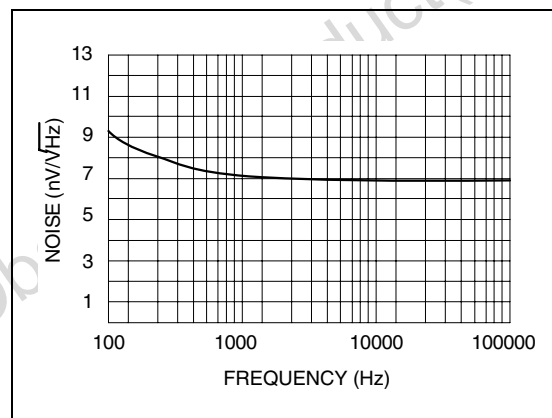
SUPPLY CURRENT vs SUPPLY VOLTAGE



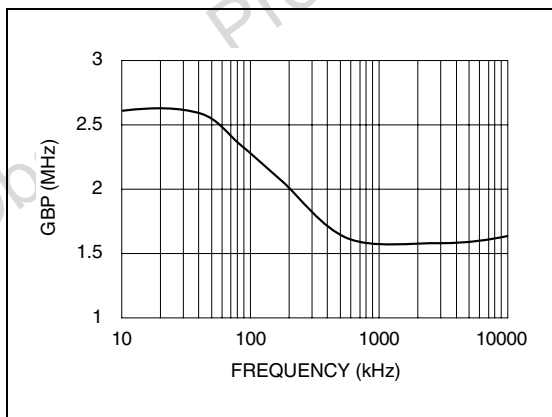
OFFSET VOLTAGE vs AMBIENT TEMPERATURE



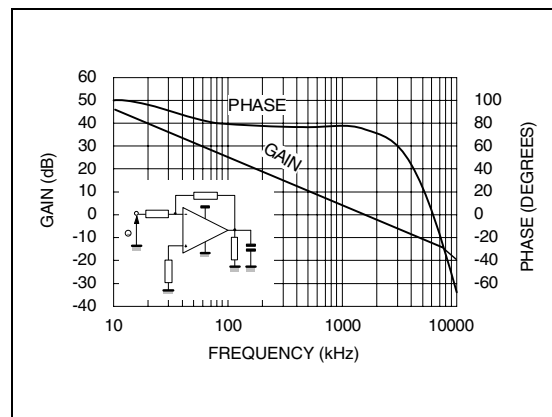
TOTAL INPUT NOISE vs FREQUENCY



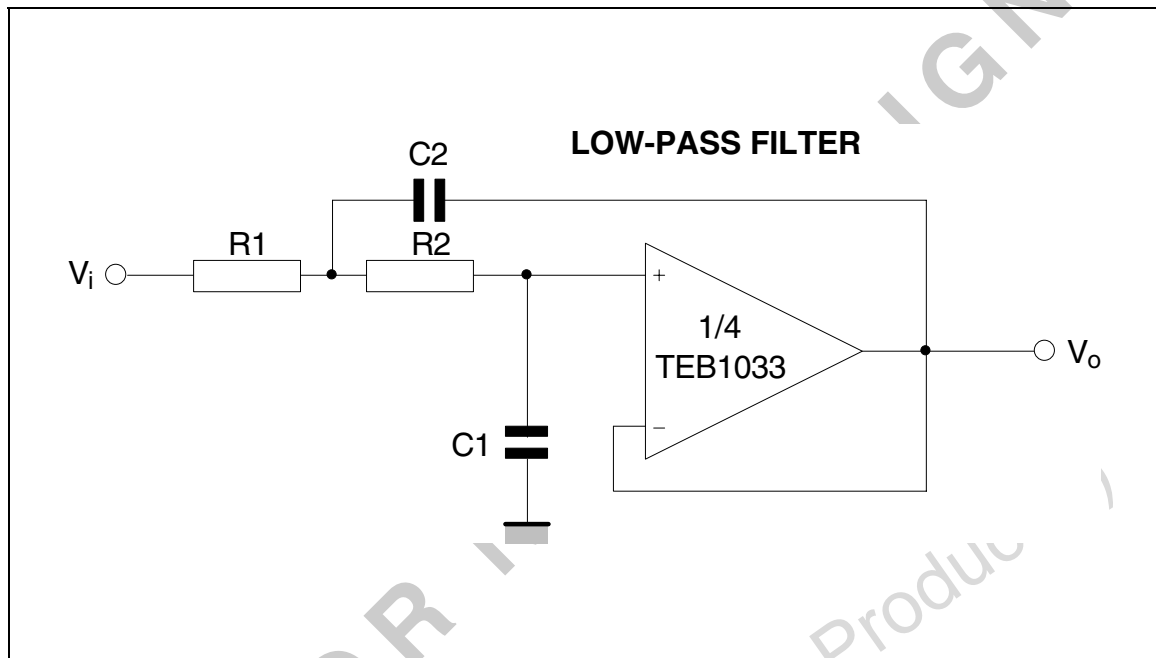
GAIN BANDWIDTH PRODUCT vs FREQUENCY



OPEN LOOP FREQUENCY & PHASE RESPONSE



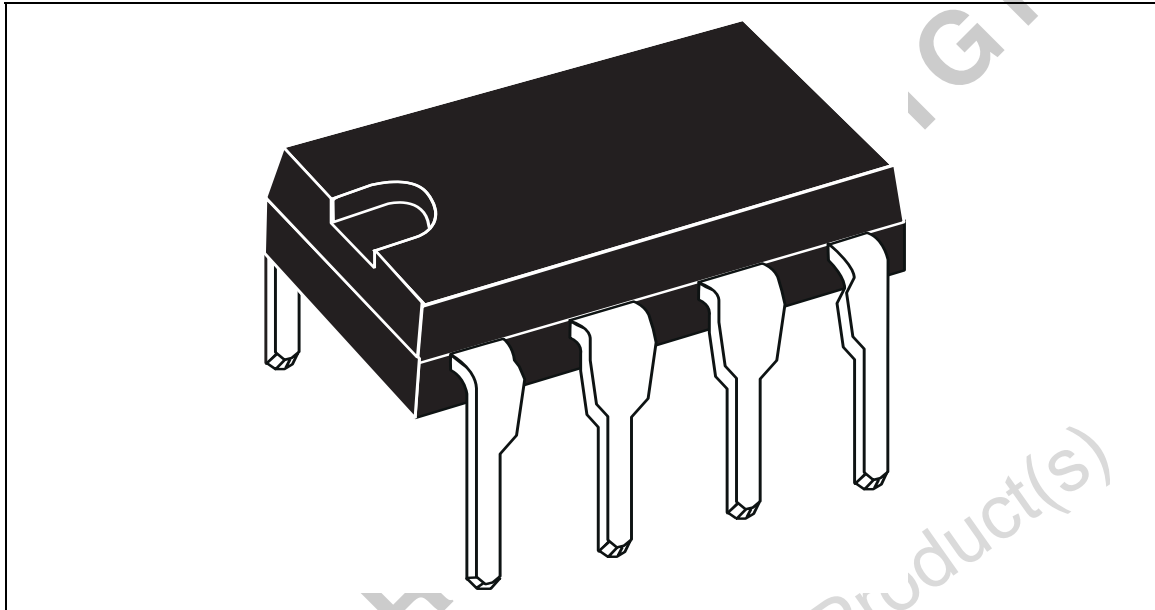
TYPICAL APPLICATION



TEB1033-TEF1033-TEC1033

PACKAGE MECHANICAL DATA

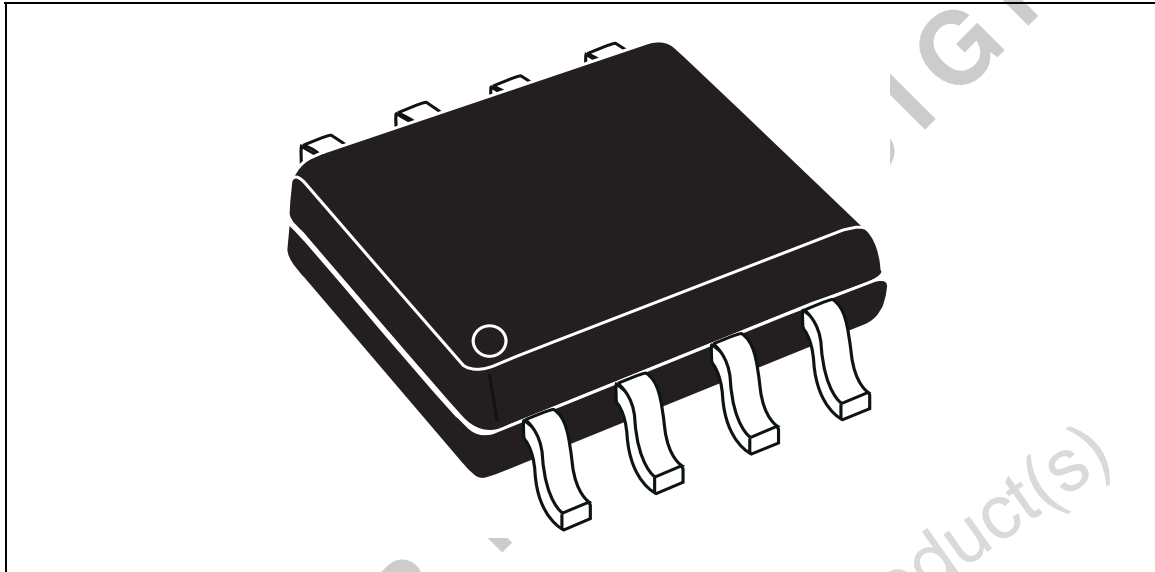
8 PINS - PLASTIC DIP



Dimensions	Millimeters			Inches		
	Min.	Typ.	Max.	Min.	Typ.	Max.
A		3.32		0.131		
a1	0.51			0.020		
B	1.15		1.65	0.045		0.065
b	0.356		0.55	0.014		0.022
b1	0.204		0.304	0.008		0.012
D			10.92			0.430
E	7.95		9.75	0.313		0.384
e		2.54			0.100	
e3		7.62			0.300	
e4		7.62			0.300	
F			6.6			0.260
i			5.08			0.200
L	3.18		3.81	0.125		0.150
Z			1.52			0.060

PACKAGE MECHANICAL DATA

8 PINS - PLASTIC MICROPACKAGE (SO)



Dimensions	Millimeters			Inches		
	Min.	Typ.	Max.	Min.	Typ.	Max.
A			1.75			0.069
a1	0.1		0.25	0.004		0.010
a2			1.65			0.065
a3	0.65		0.85	0.026		0.033
b	0.35		0.48	0.014		0.019
b1	0.19		0.25	0.007		0.010
C	0.25		0.5	0.010		0.020
c1	45° (typ.)					
D	4.8		5.0	0.189		0.197
E	5.8		6.2	0.228		0.244
e		1.27			0.050	
e3		3.81			0.150	
F	3.8		4.0	0.150		0.157
L	0.4		1.27	0.016		0.050
M			0.6			0.024
S	8° (max.)					

Information furnished is believed to be accurate and reliable. However, STMicroelectronics assumes no responsibility for the consequences of use of such information nor for any infringement of patents or other rights of third parties which may result from its use. No license is granted by implication or otherwise under any patent or patent rights of STMicroelectronics. Specifications mentioned in this publication are subject to change without notice. This publication supersedes and replaces all information previously supplied. STMicroelectronics products are not authorized for use as critical components in life support devices or systems without express written approval of STMicroelectronics.

The ST logo is a registered trademark of STMicroelectronics
All other names are the property of their respective owners

© 2005 STMicroelectronics - All rights reserved

STMicroelectronics group of companies
Australia - Belgium - Brazil - Canada - China - Czech Republic - Finland - France - Germany - Hong Kong - India - Israel - Italy - Japan -
Malaysia - Malta - Morocco - Singapore - Spain - Sweden - Switzerland - United Kingdom - United States of America
www.st.com

