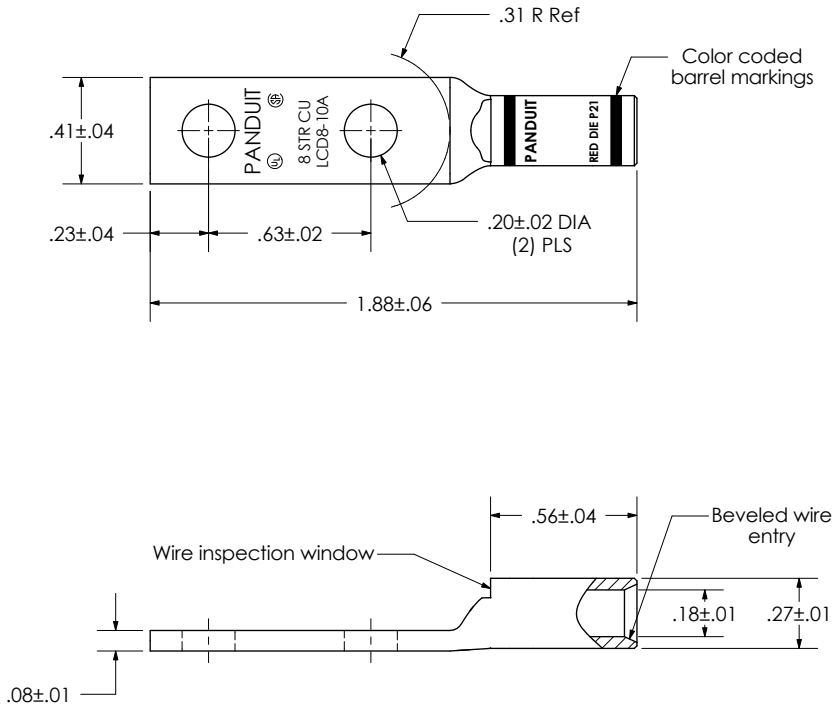


THIS COPY IS PROVIDED ON A RESTRICTED BASIS AND IS NOT TO BE USED IN ANY WAY DETRIMENTAL TO THE INTERESTS OF PANDUIT CORP.

Material	High Conductivity Seamless Copper Tube
Plating	Electro-Tin
Wire Size	8 AWG
Wire Type	Stranded Copper; Class B: Compact, Compressed or Concentric, Class C: Concentric
Wire Strip Length	5/8 in.
Stud Size	#10
UL Listed Wire Connector	Yes, for applications up to 35kv. Consult cable manufacturer for voltage stress relief instructions with applications greater than 2000 volts.
UL Temperature Rating	90 ° C
C.S.A Certified Wire Connector	Yes
Panduit Color Code on Barrel	RED
Panduit Die Index No. on Barrel	P21
Alternate Industry Die Index No. () on Barrel	N/A



					PANDUIT CORP. TINLEY PARK, ILLINOIS	
					LCD8-10A-L Copper Lug - Two-Hole, Standard Barrel	
01	6/06	DRL	DRL	REMOVED NAVY NUMBER FROM STAMP	PC00455	
REV	DATE	BY	CHK	DESCRIPTION	ECN	SCALE N/A
						DRAWING NO / CAD FILE LCD8-10A-CUST