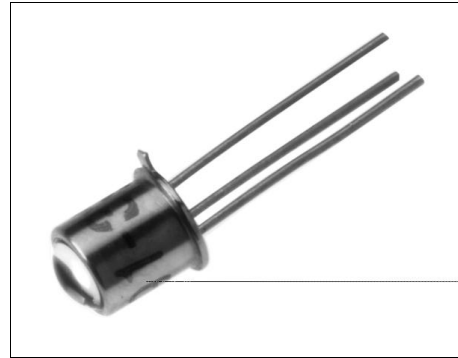


# SD5491

## Silicon Phototransistor

### FEATURES

- TO-18 metal can package
- 12° (nominal) acceptance angle
- Wide operating temperature range (-55°C to +125°C)
- Fast response time
- Wide sensitivity ranges
- External base connection for added control
- Mechanically and spectrally matched to SE3450/5450, SE3455/5455 and SE3470/5470 infrared emitting diodes



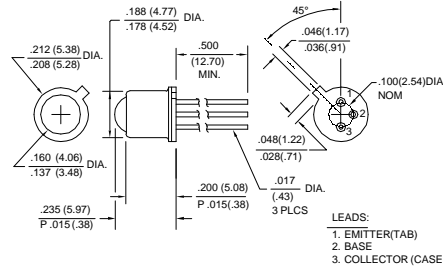
INFRA-70.TIF

### DESCRIPTION

The SD5491 is an NPN silicon phototransistor mounted in a TO-18 metal can package. A biconvex lens provides high optical sensitivity with a narrow acceptance angle to enable maximum radiation coupling. The TO-18 package offers protection against harsh environments as well as excellent thermal characteristics.

### OUTLINE DIMENSIONS in inches (mm)

Tolerance 3 plc decimals ±0.005(0.12)  
2 plc decimals ±0.020(0.51)



DIM\_016.d54

# SD5491

## Silicon Phototransistor

### ELECTRICAL CHARACTERISTICS (25°C unless otherwise noted)

PARAMETER	SYMBOL	MIN	TYP	MAX	UNITS	TEST CONDITIONS
Light Current	$I_L$				mA	$V_{CE}=5\text{ V}$ $H=1.5\text{ mW/cm}^2$ (1)
SD5491-001		0.50				
SD5491-002		0.50		3.00		
SD5491-003		2.00		5.00		
SD5491-004		4.00		8.00		
SD5491-005		7.00		22.0		
SD5491-006		15.0				
Collector Dark Current	$I_{CEO}$			100	nA	$V_{CE}=10\text{ V}$ , $H=0$
Collector-Emitter Breakdown Voltage	$V_{(BR)CEO}$	30			V	$I_C=100\text{ }\mu\text{A}$
Emitter-Collector Breakdown Voltage	$V_{(BR)ECO}$	5.0			V	$I_E=100\text{ }\mu\text{A}$
Collector-Emitter Saturation Voltage	$V_{CE(SAT)}$			0.4	V	$I_C=0.4\text{ mA}$ $H=1.5\text{ mW/cm}^2$
Angular Response (2)	$\emptyset$		12		degr.	$I_F=\text{Constant}$
Rise And Fall Time	$t_r$ , $t_f$		2.0		$\mu\text{s}$	$V_{CC}=5\text{ V}$ , $I_L=1\text{ mA}$ $R_L=100\text{ }\Omega$

#### Notes

- The radiation source is an IRED with a peak wavelength of 935 nm.
- Angular response is defined as the total included angle between the half sensitivity points.

### ABSOLUTE MAXIMUM RATINGS

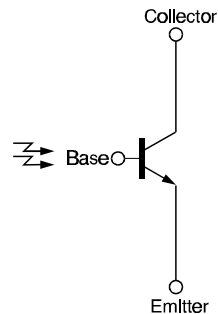
(25°C Free-Air Temperature unless otherwise noted)

Collector-Emitter Voltage	30 V
Emitter-Collector Voltage	5 V
Power Dissipation	150 mW (1)
Operating Temperature Range	-55°C to 125°C
Storage Temperature Range	-65°C to 150°C
Soldering Temperature (10 sec)	260°C

#### Notes

- Derate linearly from 25°C free-air temperature at the rate of 1.43 mW/°C.

### SCHEMATIC



Honeywell reserves the right to make changes in order to improve design and supply the best products possible.

# Honeywell

113

# SD5491

## Silicon Phototransistor

### SWITCHING TIME TEST CIRCUIT

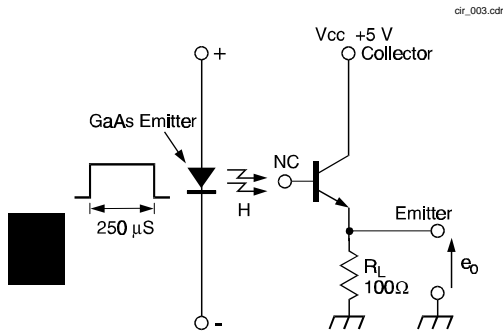


Fig. 1 Responsivity vs Angular Displacement

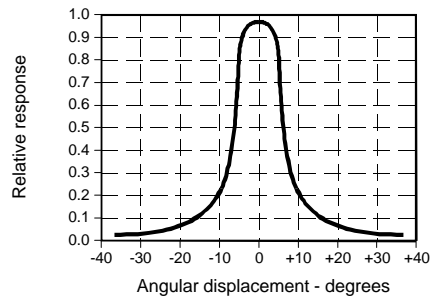


Fig. 3 Dark Current vs Temperature

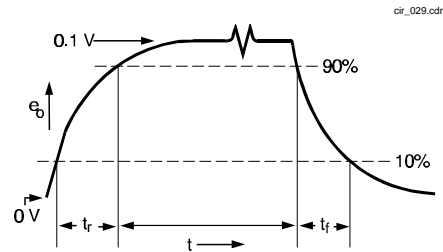
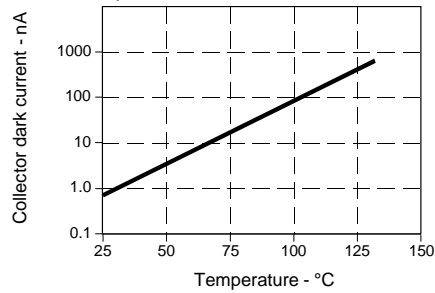


Fig. 2 Collector Current vs Irradiance

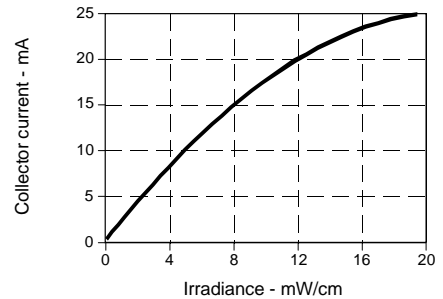
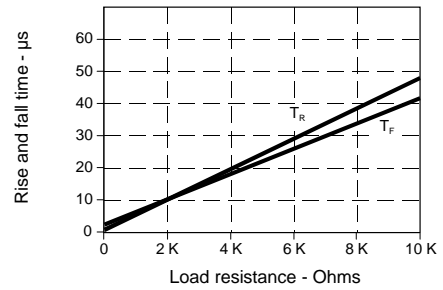


Fig. 4 Rise and Fall Time vs Load Resistance



# SD5491

## Silicon Phototransistor

Fig. 5 Spectral Responsivity

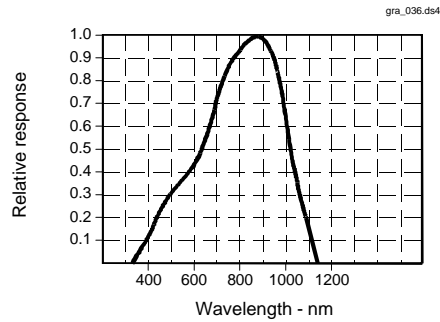


Fig. 6 Coupling Characteristics with SE5470

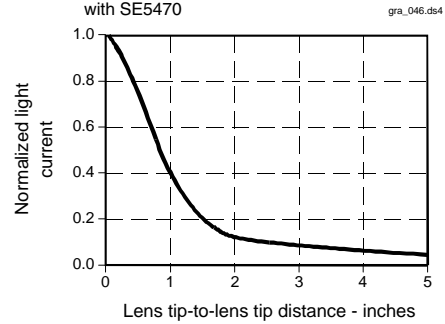
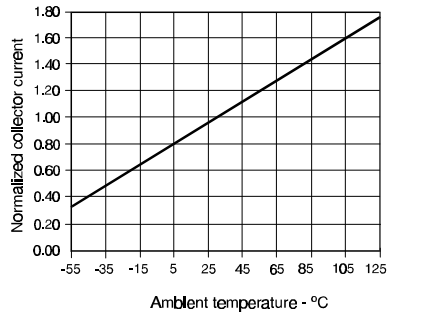


Fig. 7 Collector Current vs Ambient Temperature



All Performance Curves Show Typical Values

Honeywell reserves the right to make changes in order to improve design and supply the best products possible.

# Honeywell