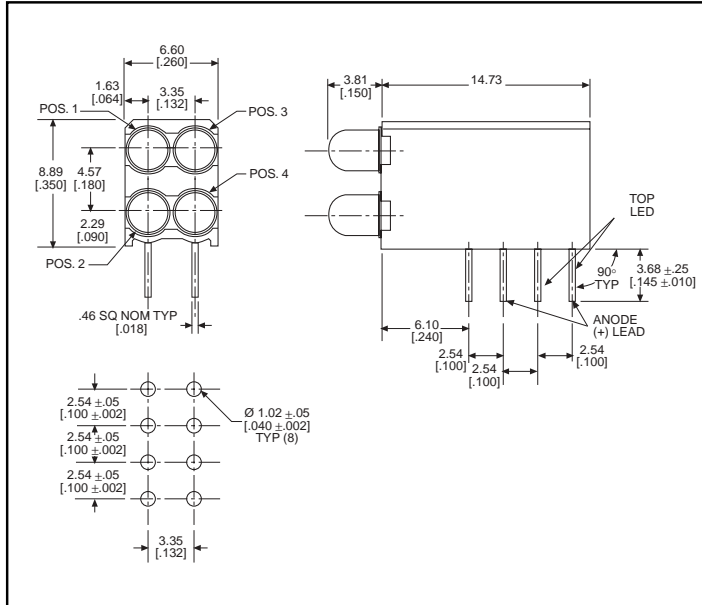


3mm LED CBI® Circuit Board Indicator High Density Dual Bi-Level



569-010x-xxx



PART NO.	COLOR*
569-0101-111	Red
569-0102-222	Green
569-0103-333	Yellow
569-0107-777	Orange
569-0108-888	Blue ³



* LED 1, LED 2, LED 3, LED 4

Features

- Multiple CBIs form horizontal LED arrays on 3.35mm (0.132") center-lines
- High Contrast, UL 94 V-0 rated, black housing
- Oxygen index: 32%
- Polymer content: PBT, 0.860 g
- Housing stand-offs facilitate PCB cleaning
- Solderability per MIL-STD-202F, method 208F
- LEDs are safe for direct viewing per IEC 825-1, EN-60825-1
- Compatible with:
 - 569-011x-x00 Narrow Bi-Level

Custom Combinations

- Contact factory for information on custom color combinations



Tolerance note: As noted, otherwise:

- LED Protrusion: ±0.04 mm [±0.016]
- CBI Housing: ±0.02mm[±0.008]

Typical Operating Characteristics (T_A=25°C)

See LED data sheet for additional information
See page 4-70 and 4-71 for Reference Only LED Drive Circuit Examples. See page 4-72 for Pin Out

Part Number	Color	Peak Wavelength nm	I _v mcd	V _F Volts	Test Current (mA)	Viewing Angle 2θ _½	LED Data sheet	Page #
569-0101-111	Red	635	10	2*	10	60°	521-9216	4-58
569-0102-222	Green	565	12.6	2.1*	10	60°	521-9210	4-58
569-0103-333	Yellow	585	10	2.1*	10	60°	521-9211	4-58
569-0107-777	Orange	600	7	2.2	10	60°	521-9498	4-58
569-0108-888	Blue	428	12	3.5	10	70°	521-9831	4-57

* I_F=20mA

PART NUMBER ORDERING CODE

Series | LED Type | Housing Type | Pos. 1 Color | Pos. 4 Color

5 6 9 - 0 1 0 x - x x x

| Pos. 2 Color | Pos. 3 Color

Color = 0) Blank 1) Red 2) Green 3) Yellow 7) Orange 8) Blue



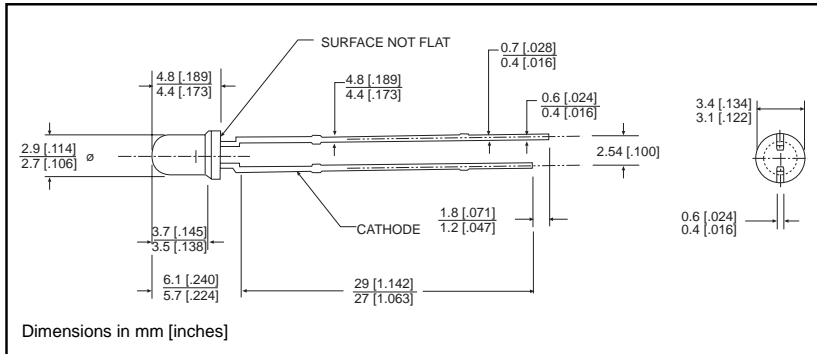
ATTENTION
OBSERVE PRECAUTIONS
FOR HANDLING
ELECTROSTATIC
SENSITIVE
DEVICES



3mm Discrete LED Tinted, Diffused

Dialight

521-9831



PART NO.

521-9831

COLOR

Blue³

MOUNTING CLIP: 515-0006

located on page 4-65



3

ATTENTION
OBSERVE PRECAUTIONS
FOR HANDLING
ELECTROSTATIC
SENSITIVE
DEVICES

4

ABSOLUTE MAXIMUM RATINGS ($T_A=25^\circ\text{C}$)

Blue
-9831

Power Dissipation (mW)	100
Forward Current (mA)	20
Derating (mA/°C) From 55°C	.44
Operating Temperature (°C)	-40/+100
Storage Temperature (°C)	-40/+100
Soldering Temperature	260°C, 5 seconds, 1.6 mm from case

Solder Adherence per MIL-STD-202E, Method 208C

OPERATING CHARACTERISTICS ($T_A=25^\circ\text{C}$)

Blue
-9831

Luminous Intensity (mcd)	Min.	6.3
$I_F=10\text{mA}$	Typical	12
Peak Wavelength (nm)	Typical	428
λ Peak		
Viewing Angle ($2\theta_{1/2}$)	Typical	70°
Forward Voltage (V)	Typical	3.5
$I_F=10\text{mA}$	Max.	4.2
Reverse Voltage (V) $I_R=10\mu\text{A}$	Min.	3

θ is the off axis angle at which the luminous intensity is half the axial luminous intensity

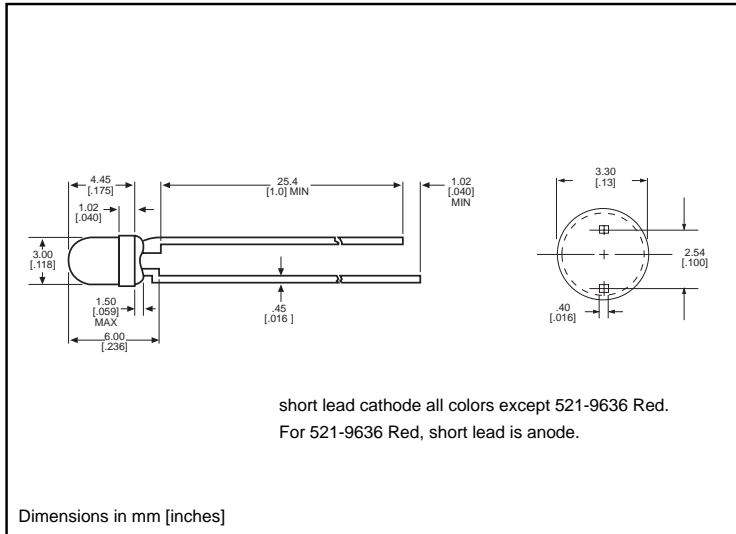
3mm Discrete LED

High Efficiency

Diffused

521-9210, -9211, -9216, -9498, -9636

Dialight



PART NO. COLOR

- 521-9210 Green
- 521-9211 Yellow
- 521-9216 Red
- 521-9498 Orange
- 521-9636 Red



MOUNTING CLIP: 515-0006
located on page 4-65

ABSOLUTE MAXIMUM RATINGS (T _A =25°C)	Green -9210	Yellow -9211	Red -9216	Orange -9498	Red -9636
Power Dissipation (mW)	100	60	100	135	100
Forward Current (mA)	30	20	30	25	40
Derating (mA/°C) From 50°C 1 from 25°C	.4	.25	.4	.5	.5 ¹
Operating Temperature (°C)	-55/+100	-55/+100	-55/+100	-55/+100	-55/+100
Storage Temperature (°C)	-55/+100	-55/+100	-55/+100	-55/+100	-55/+100
Soldering Temperature	260°C, 5 seconds, 1.6 mm from body				

Solder Adherence per MIL-STD-202E, Method 208C

OPERATING CHARACTERISTICS (T _A =25°C)		Green -9210	Yellow -9211	Red -9216	Orange -9498	Red -9636
Luminous Intensity (mcd)	Min.	4.7	7.4	7.4	3.4	8.7 ¹
	Typical	12.6	10	10	7	48 ¹
Peak Wavelength (nm)	Typical	565	585	635	600	660
Viewing Angle (2θ ^{1/2})	Typical	60°	60°	60°	60°	60°
Forward Voltage (V)	Typical	2.1 ¹	2.1 ¹	2 ¹	2.2	1.8 ¹
	Max.	2.8 ¹	2.8 ¹	2.8 ¹	3	2.4 ¹
Reverse Voltage (V), I _R =100µA	Max.	5	5	5	5	4

θ^{1/2} is the off axis angle at which the luminous intensity is half the axial luminous intensity