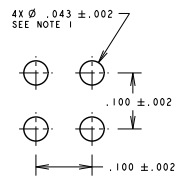
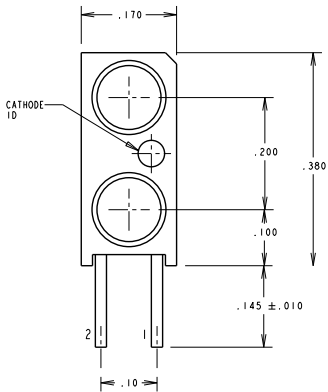
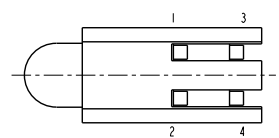
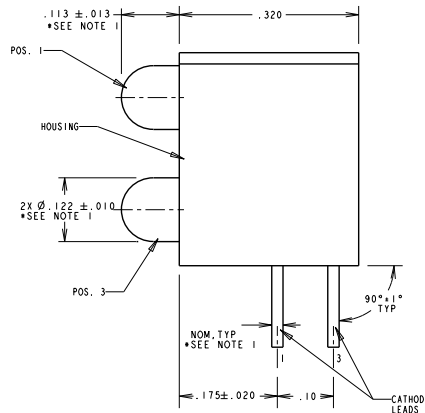


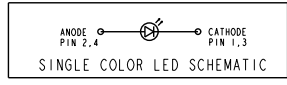
ASSY. NO. (CAT. NO.)	LED COLOR	POSITION 1	POSITION 2	NOTE
553-0101	BLANK		RED	
553-0102	BLANK		GREEN	
553-0103	BLANK		YELLOW	
553-0108	BLANK		BLUE	##
553-0110	RED		BLANK	
553-0111	RED		RED	
553-0112	RED		GREEN	
553-0113	RED		YELLOW	
553-0118	RED		BLUE	##
553-0120	GREEN		BLANK	
553-0121	GREEN		RED	
553-0122	GREEN		GREEN	
553-0123	GREEN		YELLOW	
553-0128	GREEN		BLUE	##
553-0130	YELLOW		BLANK	
553-0131	YELLOW		RED	
553-0132	YELLOW		GREEN	
553-0133	YELLOW		YELLOW	
553-0182	BLUE		GREEN	##
553-0188	BLUE		BLUE	##
553-0201	BLANK		RED	
553-0202	BLANK		GREEN	
553-0203	BLANK		YELLOW	
553-0210	RED		BLANK	
553-0211	RED		RED	
553-0212	RED		GREEN	
553-0213	RED		YELLOW	
553-0220	GREEN		BLANK	
553-0221	GREEN		RED	
553-0222	GREEN		GREEN	
553-0223	GREEN		YELLOW	
553-0230	YELLOW		BLANK	
553-0231	YELLOW		RED	
553-0232	YELLOW		GREEN	
553-0233	YELLOW		YELLOW	
553-0301	BLANK		RED	
553-0302	BLANK		GREEN	
553-0303	BLANK		YELLOW	
553-0310	RED		BLANK	
553-0311	RED		RED	
553-0312	RED		GREEN	
553-0313	RED		YELLOW	
553-0320	GREEN		BLANK	
553-0321	GREEN		RED	
553-0322	GREEN		GREEN	
553-0323	GREEN		YELLOW	
553-0331	YELLOW		RED	
553-0332	YELLOW		GREEN	
553-0333	YELLOW		YELLOW	



RECOMMENDED PC BOARD HOLE PATTERN



REV	ECN NO	REVISIONS	DRN	CHK	APP	DATE
A		NEW RELEASE	LR			N.O. 4-20-95
B		ADDED P/N 553-0188, NOTE 2, LED SPECS & "ATTENTION" NOTE	TC	DC		N.O. 10-18-99
C		ADDED BOTTOM VIEW WITH P/N DESIGNATION AND SCHEMATIC.	TC	DC		N.O. 5-18-99
D		REVISED 5V RED, GREEN AND YELLOW LED SPECS.	TC	DC		N.O. 9-18-00
E		REVISED 2mA RED, GREEN AND YELLOW LED FORWARD VOLTAGE TYP. SPECS, AND RED LUMINOUS INTENSITY TYP. SPEC. ADDED NOTE 3 AND TITLE.	DC	KD		N.O. 2-19-01
F		ADDED P/N 553-0188, 553-0118, 553-0128, 553-0230 & ESD LOGO	JMC	N.O.	MES	3-10-04
G		ADDED P/N 553-0182	JMC	N.O.	Y.C.	11-1-04
H		REV LETTER "G" IN REVISION TABLE WAS "F"	TWC			



- NOTE:
- * DENOTES PARTS WITH LED PROTRUSION OF .103 ± .013, WITH LEADS .018 SO. NOM. LED BODY Ø.115 ± .010 AND THE PC BOARD RECOMMENDED HOLE SIZE IS Ø.040 ± .002.
 - DIALIGHT PART NUMBER: 553-0XXX
 - PIN NUMBER FOR REFERENCE ONLY, DESIGNATION NON-EXISTENT ON PARTS.



10 ma LED.
OPERATING CHARACTERISTICS AT $T_A = 25^\circ C$

SYMBOL	PARAMETER	COLOR	MIN	TYP	MAX	UNITS	TEST COND.
V_f	FORWARD VOLTAGE	RED		2.0	3.0		$I_f = 10 \text{ mA}$
		YELLOW		2.1	3.0		
		GREEN		2.1	3.0		
V_r	REVERSE VOLTAGE	ALL	3			V	$I_f = 10 \mu A$
		RED		650			
		YELLOW		563			
λ_{pk}	PEAK WAVELENGTH	YELLOW		563		nm	MEASURED AT PEAK
		GREEN		563			
		BLUE		428			
I_v	LUMINOUS INTENSITY	RED		3.6	10.0		mc d
		YELLOW		2.2	6.3		
		GREEN		5.6	16.0		
		BLUE		6.3			20

2 ma LOW CURRENT LED.
OPERATING CHARACTERISTICS AT $T_A = 25^\circ C$

SYMBOL	PARAMETER	COLOR	MIN	TYP	MAX	UNITS	TEST COND.
V_f	FORWARD VOLTAGE	RED		1.7	2.2		$I_f = 2 \text{ mA}$
		YELLOW		1.8	2.7		
		GREEN		1.9	2.2		
V_r	REVERSE VOLTAGE	ALL	5			V	$I_f = 50 \mu A$
		RED		635			
		YELLOW		583			
λ_{pk}	PEAK WAVELENGTH	YELLOW		583		nm	MEASURED AT PEAK
		GREEN		565			
		RED		1.0	1.6		
I_v	LUMINOUS INTENSITY	YELLOW		1.0	1.6		mc d
		RED		1.0	1.6		
		GREEN		1.0	1.6		

5 V., INTEGRAL RESISTOR LED
OPERATING CHARACTERISTICS AT $T_A = 25^\circ C$

SYMBOL	PARAMETER	COLOR	MIN	TYP	MAX	UNITS	TEST COND.
I_f	FORWARD CURRENT	RED		10	20		$V_f = 5 \text{ V}$
		YELLOW		10	20		
		GREEN		10	20		
V_r	REVERSE VOLTAGE	ALL	5			V	$I_f = 100 \mu A$
		RED		635			
		YELLOW		585			
λ_{pk}	PEAK WAVELENGTH	YELLOW		585		nm	MEASURED AT PEAK
		GREEN		565			
		RED		8.7	29		
I_v	LUMINOUS INTENSITY	RED		8.7	29		mc d
		YELLOW		3.7	12.6		
		GREEN		5.6	19		

THIS DRAWING AND THE CONTENTS HEREIN ARE CONFIDENTIAL AND THE SOLE PROPERTY OF DIALIGHT. REPRODUCTION OF THIS DRAWING OR CONSTRUCTION OF ANY PARTS WITHIN THIS DRAWING ARE FORBIDDEN WITHOUT THE WRITTEN CONSENT OF DIALIGHT.

SCALE: DRAWING SCALE: DRAWING NUMBER: C-15967 REV: H

TITLE: 3mm LED B1-LEVEL CBI

MATERIAL:

FINISH:

ESD 83330 SHEET 1 OF 1 FAMILY TABLES