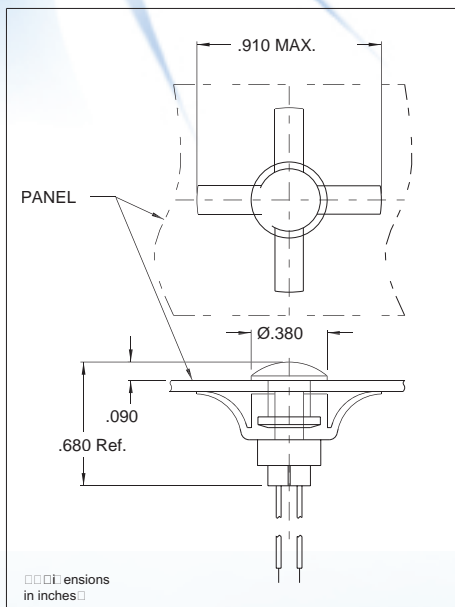


5400A Series Panel Mounted LED Indicator

DESCRIPTION AND FEATURES



Features

A unique design, the 5400 Series is a two-piece unit consisting of a lens and the housing-LED assembly. Simple, fast installation provided by placing the lens into mounting hole from the panel front and snapping the housing assembly onto the lens from the rear. Allows pre-wiring into the circuit and testing before installation. Has low-profile, damage-resistant lens offering static discharge protection and wide-angle viewing.

Mounting: Will snap-fit in Ø.312/.317 hole in panels .020/.098 thick.

Wire Leads: No.24 AWG, 4.4/4.8 long, stripped .430/.570

Anode(+): Red lead

Housing: Natural nylon

Lens: Polycarbonate

ELECTRO-OPTICAL CHARACTERISTICS

Part Number	Color	Typ. Intensity (mcd)	Rated Current (mA)	Continuous Forward Current Max. (mA)	Forward Voltage Typ. (V)	Forward Voltage Max. (V)	Peak Forward Current @ 1ms-300pps (A)	Reverse Break-down Voltage Min. (V)	Includes Lens Model No.
5400A1	Red	120	20	35	2.0	3.0	1.0	5	4741
5400A3	Amber	120	20	35	2.0	3.0	1.0	5	4743
5400A5	Green	120	20	20	2.1	2.5	-	4	4745
5400A7	Yellow	120	20	35	2.1	3.0	1.0	5	4747