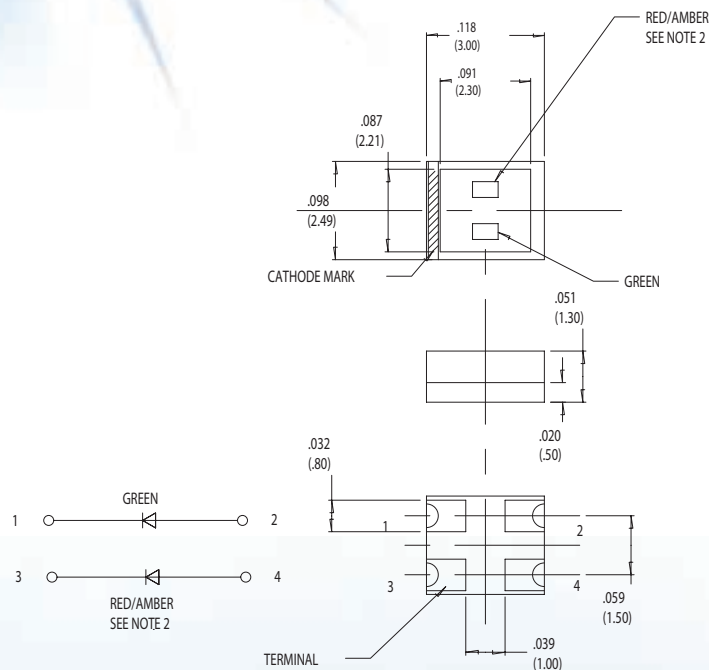


7016X Series Bicolor SMT LEDs

DESCRIPTION AND FEATURES



Color Combinations:

- Red/Green
- Green/Yellow

Surface Mount Technology

- Tape and reel packaged for high-speed autoinsertion.
- Convection and vapor-phase reflow compatible.
- Compact form enables high density placement.
- Packaged 2500 pieces per reel.

Leading Edge LED Optoelectronic Performance

- Consistent high brightness.

Exceptional Reliability

- Stringent process controls assure quality.
- Extensive qualification testing to meet strictest requirements.
- Designed to permit easy post-reflow solder joint inspection.

Solder pad geometry on page 1-X2.

All dimensions are in inches (mm)
For 7060X1/5: Terminals 3 & 4 are for red led.
For 7016X5/7: Terminals 3 & 4 are for amber led.

ELECTRO-OPTICAL CHARACTERISTICS AND RATINGS

PART NUMBER	7016X1/5	7016X5/7
Output Color	Red/Green	Green/Yellow
Diffused/Non-Diffused	Non-Diffused	Non-Diffused
Package Color	Clear	Clear
Power Dissipation (mW)	60	60
Peak Forward Current Max. (mA)	75/60	60
Reverse Current Max. (V _R =4V)	100	100
Operating temperature (°C)	-25 to +80	-25 to +80
Storage Temperature (°C)	-30 to +85	-30 to +85
Forward Voltage Typ. (IF=20mA)	1.75/2.2	2.2/2.2
Forward Voltage Max. (IF=20mA)	2.5/2.8	2.8/2.8
Viewing Angle (degrees)	110	110
Luminous Intensity Min. (IF=20mA)	9.0	9.0
Luminous Intensity Max. (IF=20mA)	16/20	20/16
Peak Wavelength (IF=20mA)	660/570	570/580
Rated Current (mA)	20/20	20/20
Continuous Forward Current Max. (mA)	30/25	25