
ST-NXP Wireless

IMPORTANT NOTICE

Dear customer,

As from August 2nd 2008, the wireless operations of STMicroelectronics have moved to a new company, ST-NXP Wireless.

As a result, the following changes are applicable to the attached document.

- **Company name** - **STMicroelectronics NV** is replaced with **ST-NXP Wireless**.
- **Copyright** - the copyright notice at the bottom of the last page "© STMicroelectronics 200x - All rights reserved", shall now read: "© ST-NXP Wireless 200x - All rights reserved".
- **Web site** - <http://www.st.com> is replaced with <http://www.stnwireless.com>
- **Contact information** - the list of sales offices is found at <http://www.stnwireless.com> under Contacts.

If you have any questions related to the document, please contact our nearest sales office. Thank you for your cooperation and understanding.

ST-NXP Wireless

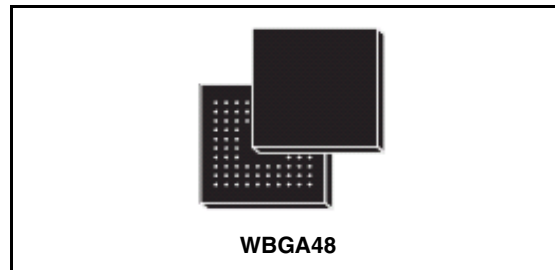


Bluetooth V2.1 "Lisbon" + EDR

Data Brief

Features

- Based on Ericsson Technology Licensing Baseband Core (EBC)
- Bluetooth™ specification compliance: V2.1 ("Lisbon") + EDR
- HW support for packet types ACL, SCO, eSCO
- Adaptive Frequency Hopping (AFH)
- "Lisbon" features
 - Encryption Pause/Resume (EPR)
 - Extended Inquiry Response (EIR)
 - Link Supervision Time Out (LSTO)
 - Secure simple pairing
 - Sniff subrating
 - Quality of Service (QoS)
 - Packet boundary flag
 - Erroneous data delivery
- Channel Quality Driven Data Rate (CQDDR)
- Power Class 2 and Power Class 1.5 (above 4 dBm) transmit power
- HCI H4 and enhanced H4 Transport Layer
- Implements Pitch-Period Error Concealment (PPEC)
- Fully flexible support for a wide range of WLAN and other co-existence scenarios
- Low power consumption
- Ultra low power architecture with 3 different low-power levels
- Dual wake-up mechanism
- Communication interfaces: UART, SPI, PCM...
- ARM7TDMI™ CPU
- On-chip RAM, on-chip ROM
- Supports 1.65 V to 2.85 V I/O systems
- Auto calibration (VCO, Filters)



Description

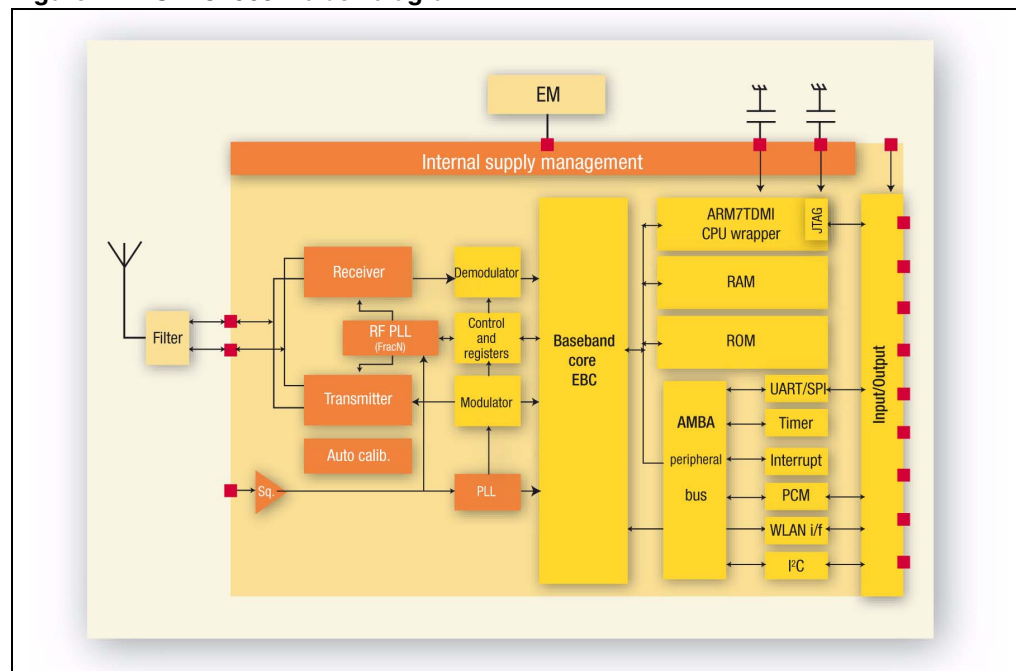
The STLC2500D is a single-chip Bluetooth solution that is fully optimized for mobile applications such as mobile phones, smart phones, PDAs and portable media players. Power consumption levels are targeted for battery powered devices and the integration allows a cost-effective solution. Manufacturers can easily integrate the STLC2500D to achieve a rapid time to market. Compared to its successful predecessor, the STLC2500C, the STLC2500D supports the Bluetooth specification V2.1 ("Lisbon")+ EDR and further optimizes the RF performances and cost.

1 Overview

- Based on Ericsson Technology Licensing Baseband Core (EBC)
- Bluetooth™ specification compliance: V2.1 (“Lisbon”) + EDR
 - Point-to-point, point-to-multi-point (up to 7 slaves) and scatternet capability
 - Support ACL and SCO links
 - Extended SCO (eSCO) links
 - Faster connection
- HW support for packet types
 - ACL: DM1, DM3, DM5, DH1, DH3, DH5, 2-DH1, 2-DH3, 2-DH5, 3-DH1, 3-DH3, 3-DH5
 - SCO: HV1, HV3 and DV
 - eSCO: EV3, EV4, EV5, 2-EV3, 2-EV5, 3-EV3, 3-EV5
- Adaptive Frequency Hopping (AFH)
- Channel Quality Driven Data Rate (CQDDR)
- “Lisbon” features
 - Encryption Pause/Resume (EPR)
 - Extended Inquiry Response (EIR)
 - Link Supervision Time Out (LSTO)
 - Secure simple pairing
 - Sniff subrating
 - Quality of Service (QoS)
Packet boundary flag
 - Erroneous data delivery
- Transmit power
 - Power Class 2 and Power Class 1.5 (above 4 dBm)
 - Programmable output power
 - Power Class 1 compatible
- HCI
 - HCI H4 and enhanced H4 transport layer
 - HCI proprietary commands (for example peripherals control)
 - Single HCI command for patch/upgrade download
 - eSCO over HCI supported
- Implements Pitch-Period Error Concealment (PPEC)
- Fully flexible support for a wide range of WLAN and other co-existence scenarios

- Low power consumption
 - Ultra low power architecture with 3 different low-power levels
 - Deep sleep modes, including Host-power saving feature
 - Dual wake-up mechanism: initiated by the Host or by the Bluetooth device
- Communication interfaces
 - Fast UART up to 4 MHz
 - Flexible SPI interface up to 13 MHz
 - PCM interface
 - Up to 10 additional flexibly programmable GPIOs
 - External interrupts possible through the GPIOs
 - Fast I²C interface as master
- Clock support
 - System clock input (digital or sine wave) at 9.6 MHz, 10 MHz, 13 MHz, 16 MHz, 16.8 MHz, 19.2 MHz, 26 MHz, 33.6 MHz or 38.4 MHz
 - Low power clock input at 3.2 kHz, 32 kHz or 32.768 kHz
- ARM7TDMI™ CPU
- Memory organization
 - On chip RAM, including provision for patches
 - On chip ROM, preloaded with SW up to HCI
- Ciphering support up to 128-bit key
- Single power supply with internal regulators for core voltage generation
- Supports 1.65 V to 2.85 V I/O systems
- Auto calibration (VCO, Filters)

Figure 1. STLC2500D block diagram



2 Ordering information

Table 1. Ordering information

Order codes	Package	Packing
E-STLC2500D	WFBGA48	Tray
E-STLC2500DTR	WFBGA48	Tape-on-reel

3 Revision history

Table 2. Document revision history

Date	Revision	Changes
22-Jan-2008	1	Initial release.

Please Read Carefully:

Information in this document is provided solely in connection with ST products. STMicroelectronics NV and its subsidiaries ("ST") reserve the right to make changes, corrections, modifications or improvements, to this document, and the products and services described herein at any time, without notice.

All ST products are sold pursuant to ST's terms and conditions of sale.

Purchasers are solely responsible for the choice, selection and use of the ST products and services described herein, and ST assumes no liability whatsoever relating to the choice, selection or use of the ST products and services described herein.

No license, express or implied, by estoppel or otherwise, to any intellectual property rights is granted under this document. If any part of this document refers to any third party products or services it shall not be deemed a license grant by ST for the use of such third party products or services, or any intellectual property contained therein or considered as a warranty covering the use in any manner whatsoever of such third party products or services or any intellectual property contained therein.

UNLESS OTHERWISE SET FORTH IN ST'S TERMS AND CONDITIONS OF SALE ST DISCLAIMS ANY EXPRESS OR IMPLIED WARRANTY WITH RESPECT TO THE USE AND/OR SALE OF ST PRODUCTS INCLUDING WITHOUT LIMITATION IMPLIED WARRANTIES OF MERCHANTABILITY, FITNESS FOR A PARTICULAR PURPOSE (AND THEIR EQUIVALENTS UNDER THE LAWS OF ANY JURISDICTION), OR INFRINGEMENT OF ANY PATENT, COPYRIGHT OR OTHER INTELLECTUAL PROPERTY RIGHT.

UNLESS EXPRESSLY APPROVED IN WRITING BY AN AUTHORIZED ST REPRESENTATIVE, ST PRODUCTS ARE NOT RECOMMENDED, AUTHORIZED OR WARRANTED FOR USE IN MILITARY, AIR CRAFT, SPACE, LIFE SAVING, OR LIFE SUSTAINING APPLICATIONS, NOR IN PRODUCTS OR SYSTEMS WHERE FAILURE OR MALFUNCTION MAY RESULT IN PERSONAL INJURY, DEATH, OR SEVERE PROPERTY OR ENVIRONMENTAL DAMAGE. ST PRODUCTS WHICH ARE NOT SPECIFIED AS "AUTOMOTIVE GRADE" MAY ONLY BE USED IN AUTOMOTIVE APPLICATIONS AT USER'S OWN RISK.

Resale of ST products with provisions different from the statements and/or technical features set forth in this document shall immediately void any warranty granted by ST for the ST product or service described herein and shall not create or extend in any manner whatsoever, any liability of ST.

ST and the ST logo are trademarks or registered trademarks of ST in various countries.

Information in this document supersedes and replaces all information previously supplied.

The ST logo is a registered trademark of STMicroelectronics. All other names are the property of their respective owners.

© 2008 STMicroelectronics - All rights reserved

STMicroelectronics group of companies

Australia - Belgium - Brazil - Canada - China - Czech Republic - Finland - France - Germany - Hong Kong - India - Israel - Italy - Japan - Malaysia - Malta - Morocco - Singapore - Spain - Sweden - Switzerland - United Kingdom - United States of America

www.st.com

