


SACC-E-MU-PG9

Order No.: 1504084

<http://eshop.phoenixcontact.de/phoenix/treeViewClick.do?UID=1504084>

Flat nut with Pg9 thread

Commercial data

GTIN (EAN)	
sales group	D125
Pack	100 pcs.
Customs tariff	74153300
Catalog page information	Page 26 (PC-2009)

Product notesWEEE/RoHS-compliant since:
11/28/2006

<http://www.download.phoenixcontact.com>
Please note that the data given here has been taken from the online catalog. For comprehensive information and data, please refer to the user documentation. The General Terms and Conditions of Use apply to Internet downloads.

Technical data**General characteristics**

Material, knurls	Nickel-plated brass
Mounting type	Pg9

Certificates / Approvals



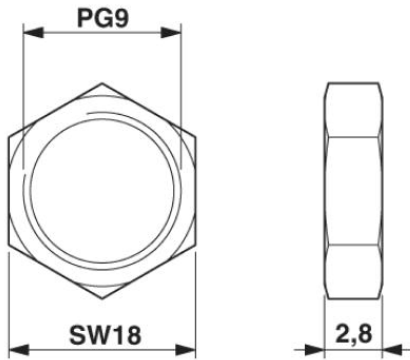
Certification

GOST

Diagrams/Drawings

Dimensioned drawing

Flat nut Pg9



Address

PHOENIX CONTACT Inc., USA
586 Fulling Mill Road
Middletown, PA 17057, USA
Phone (800) 888-7388
Fax (717) 944-1625
<http://www.phoenixcon.com>



© 2010 Phoenix Contact
Technical modifications reserved;