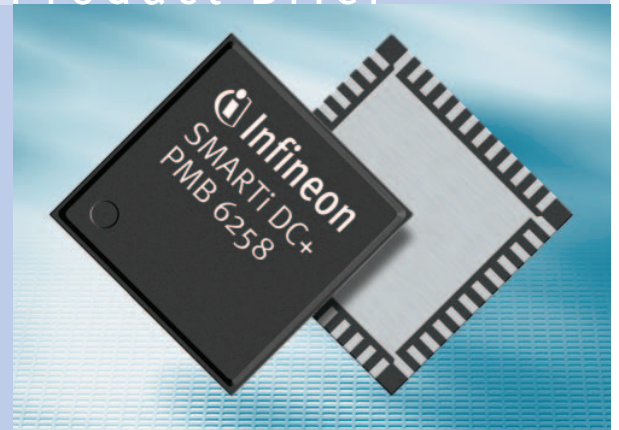


# PMB 6258

SMARTi DC+  
EDGE RF Transceiver



SMARTi DC+ is the first proven EDGE RF transceiver solution in high volume production offering outstanding RF performance for GPRS and EDGE.

It is Infineon Technologies 4th generation of the widely successful SMARTi family of single chip radio transceivers. SMARTi DC+ is a EDGE quad-band (GSM850/900/1800/1900) radio transceiver supporting worldwide roaming.

With SMARTi DC+ all functions required for a cost and board space optimized state of the art EDGE radio are integrated. All variants of a GSM product family from high end EDGE to low end speech only can be realized with the same radio design, answering the needs of time to market.

SMARTi DC+ is entirely controllable through a 3 wire bus and offers a standard I/Q interface to a wide variety of BB solutions.

In combination with Infineons S-GOLD EDGE BB Modem a compact system approach can be achieved, which results in a very cost effective EDGE solution.

## Technology

- Based on Infineons proven B9c 0.25  $\mu$ m BiCMOS Technology
- Supply Voltage 2.6 V – 2.8 V
- P-VQFN-48 Package (7x7 mm)
- GSM/GPRS Quad-Band Mobile Phones and Data Modems
- Full EDGE capability in transmit and receive mode
- Direct Conversion Receiver with integrated channel filtering
- 26 MHz VCXO integrated
- Automatic DC offset compensation
- Programmable DC output level
- Excellent Low Noise Directmodulator for EDGE and GSM

## Applications

- EDGE Quad-Band Mobile Phones and Data Modems

## Features

- Full Quad-Band solution for GSM850/900/1800/1900 with integrated LNAs for worldwide roaming
- Full integration of RF VCO
- SAM Fast lock PLL for GPRS class 12
- Multiplexed I/Q lines
- Simple programming with 3 wire bus
- Using Infineons EDGE VGA (PMB2259), completes the linear RF EDGE line up

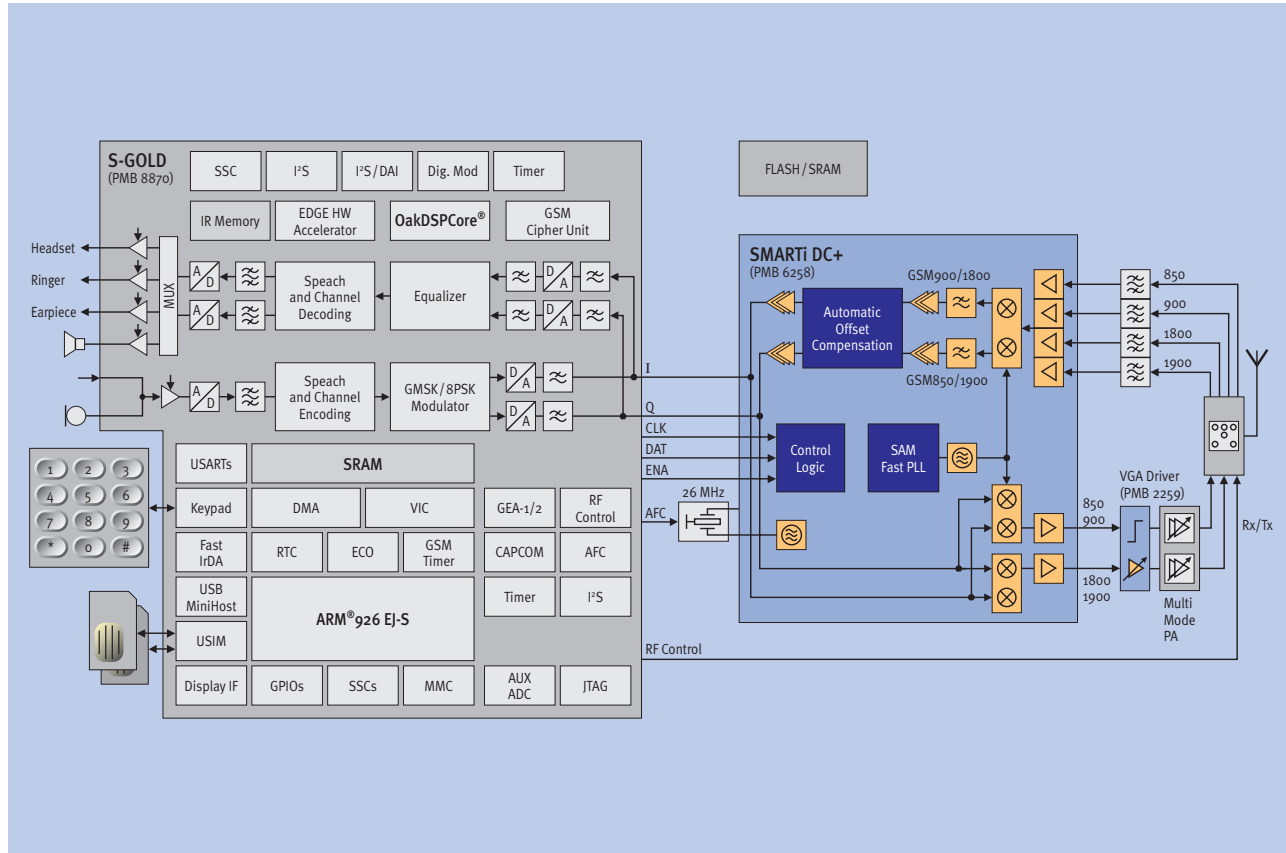
[www.infineon.com/mobilesolutions](http://www.infineon.com/mobilesolutions)

Mobile Solutions



Never stop thinking.

Infineons EDGE Quad-Band solution using SMARTiDC+ (PMB 6258),  
VGA/Driver (PMB 2259) and S-GOLD (PMB 8870).



*Note: OakDSPCore® is a registered trademark of ParthusCeva, LTD.  
ARM® is a registered trademark of ARM, Ltd.*

How to reach us:  
<http://www.infineon.com>

Published by  
Infineon Technologies AG,  
St.-Martin-Strasse 53,  
D-81669 München

© Infineon Technologies AG 2004.  
All Rights Reserved.

Template: pb\_tmplt.fm/4/2004-01-01

#### Attention please!

The information herein is given to describe certain components and shall not be considered as a guarantee of characteristics.

Terms of delivery and rights to technical change reserved.

We hereby disclaim any and all warranties, including but not limited to warranties of non-infringement, regarding circuits, descriptions and charts stated herein.

#### Information

For further information on technology, delivery terms and conditions and prices please contact your nearest Infineon Technologies Office.

#### Warnings

Due to technical requirements components may contain dangerous substances. For information on the types in question please contact your nearest Infineon Technologies Office.

Infineon Technologies Components may only be used in life-support devices or systems with the express written approval of Infineon Technologies, if a failure of such components can reasonably be expected to cause the failure of that life-support device or system, or to affect the safety or effectiveness of that device or system. Life support devices or systems are intended to be implanted in the human body, or to support and/or maintain and sustain and/or protect human life. If they fail, it is reasonable to assume that the health of the user or other persons may be endangered.