

Features

- Low Insertion Loss: <0.5 dB @ 900 MHz
- Low Power Consumption: <1.0 μ A @ 3 VDC
- Very High Intercept Point: 52 dBm IP3
- Both Positive and Negative 3 to 8 V Control
- Lead-Free SOT-26 Package
- Halogen-Free "Green" Mold Compound
- 260°C Reflow Compatible
- RoHS* Compliant Version of SW-395

Description

The MASWSS0179 is a GaAs single pole, double throw switch in a lead-free SOT-26 surface mount plastic package. The MASWSS0179 is ideally suited for applications where very low power consumption, low intermodulation products, very small size and low cost are required.

Typical application is an internal / external antenna select switch for portable telephones and data radios. In addition, because of its low loss, good isolation and inherent speed, the MASWSS0179 can be used as a conventional T/R switch or as an antenna diversity switch. The MASWSS0179 can be used in power applications up to 0.5 Watts in systems such as cellular, PCS, GSM and other analog / digital wireless communications systems.

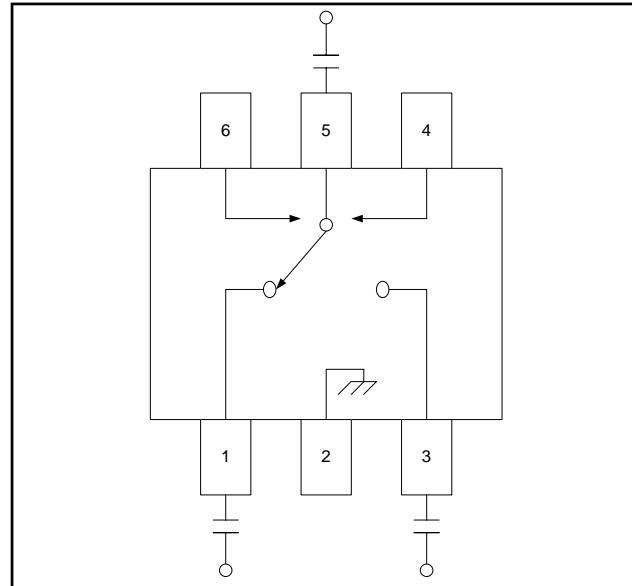
The MASWSS0179 is fabricated using a mature 0.5-micron gate length GaAs pHEMT process. The process features full chip passivation for increased performance and reliability.

Ordering Information ¹

Part Number	Package
MASWSS0179	Bulk Packaging
MASWSS0179TR-3000	3000 piece reel

1. Reference Application Note M513 for reel size information.

Functional Schematic ²



2. DC blocking capacitors are not required if negative control voltage is used.

Pin Configuration

Pin No.	Function	Pin No.	Function
1	RF1	4	Control B
2	Ground	5	RF Common
3	RF2	6	Control A

Absolute Maximum Ratings ^{3,4}

Parameter	Absolute Maximum
Input Power	+33 dBm
Operating Voltage	+8.5 Volts
Storage Temperature	-65°C to +150°C
Operating Temperature	-40°C to +85°C

3. Exceeding any one or combination of these limits may cause permanent damage to this device.

4. M/A-COM Technology does not recommend sustained operation near these survivability limits.

* Restrictions on Hazardous Substances, European Union Directive 2002/95/EC.

1

ADVANCED: Data Sheets contain information regarding a product M/A-COM Technology Solutions is considering for development. Performance is based on target specifications, simulated results, and/or prototype measurements. Commitment to develop is not guaranteed.
PRELIMINARY: Data Sheets contain information regarding a product M/A-COM Technology Solutions has under development. Performance is based on engineering tests. Specifications are typical. Mechanical outline has been fixed. Engineering samples and/or test data may be available. Commitment to produce in volume is not guaranteed.

• **North America** Tel: 800.366.2266 • **Europe** Tel: +353.21.244.6400
• **India** Tel: +91.80.43537383 • **China** Tel: +86.21.2407.1588
Visit www.macomtech.com for additional data sheets and product information.

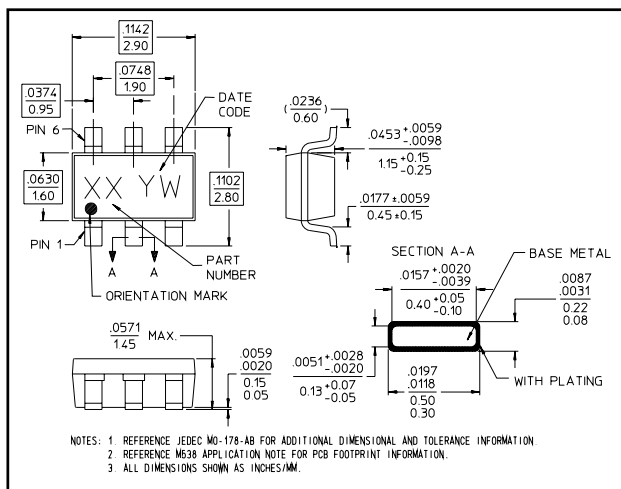
M/A-COM Technology Solutions Inc. and its affiliates reserve the right to make changes to the product(s) or information contained herein without notice.

Electrical Specifications: $T_A = +25^\circ\text{C}$, $V_C = 0\text{ V} / -3\text{ V}$, $Z_0 = 50\ \Omega$ ⁵

Parameter	Test Conditions	Units	Min.	Typ.	Max.
Insertion Loss	DC - 1.0 GHz	dB	—	0.5	0.7
	1.0 - 2.0 GHz		—	0.6	0.8
Isolation	DC - 1.0 GHz	dB	25	28	—
	1.0 - 2.0 GHz		19	22	—
VSWR	DC - 2.0 GHz	Ratio	—	1.3:1	—
1 dB Compression	0.5 GHz, Input Power (3 V Control)	dBm	—	26	—
	0.5 GHz, Input Power (5 V Control)		—	30	—
	0.05 GHz, Input Power (3 V Control)		—	16	—
	0.05 GHz, Input Power (5 V Control)		—	16	—
Trise, Tfall	10% to 90% RF, 90% to 10% RF	ns	—	3	—
Ton, Toff	50% Control to 90% RF, 50% Control to 10% RF	ns	—	5	—
Transients	In-Band	mV	—	15	—
Input IP ₂	2-Tone, 5 MHz spacing, 3 V Control, +10 dBm each	dBm	—	69	—
	0.05 GHz 0.5 GHz		—	80	—
Input IP ₃	2-Tone, 5 MHz spacing, 3 V Control, +10 dBm each	dBm	—	48	—
	0.05 GHz 0.5 GHz		—	52	—
Control Current	$ V_C = 3\text{ V}$	mA	—	1	10

5. For positive voltage control, external DC blocking capacitors are required on all RF ports.

Lead-Free SOT-26[†]



[†] Reference Application Note M538 for lead-free solder reflow recommendations.
Meets JEDEC moisture sensitivity level 1 requirements.
Plating is 100% matte tin over copper.

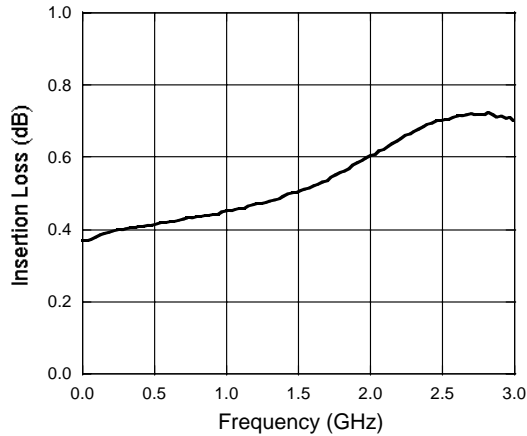
Truth Table^{6,7,8}

Control A	Control B	RFC to RF1	RFC to RF2
0	1	Off	On
1	0	On	Off

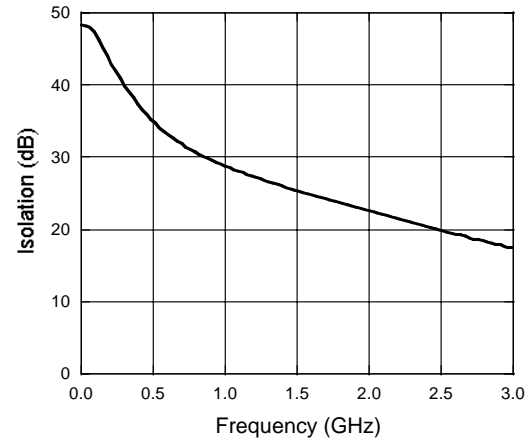
- For positive voltage control, external DC blocking capacitors are required on all RF ports.
- 0 = -8 V to 0 V, 1 = 0 V to +8 V.
- Differential voltage, V (state 1) - V (state 0), must be +2.8 V minimum and must not exceed +8 V.

Typical Performance Curves

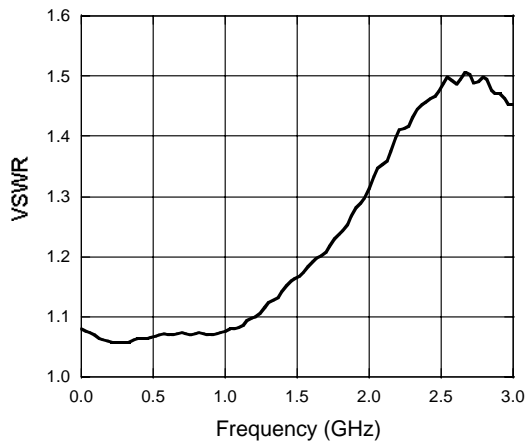
Insertion Loss



Isolation



VSWR



Handling Procedures

Please observe the following precautions to avoid damage:

Static Sensitivity

Gallium Arsenide Integrated Circuits are sensitive to electrostatic discharge (ESD) and can be damaged by static electricity. Proper ESD control techniques should be used when handling these devices.