



64, 256, 512, 1K, 2K, 4K x 18 Synchronous FIFOs

Features

- High-speed, low-power, first-in first-out (FIFO) memories
- 64 x 18 (CY7C4425)
- 256 x 18 (CY7C4205)
- 512 x 18 (CY7C4215)
- 1K x 18 (CY7C4225)
- 2K x 18 (CY7C4235)
- 4K x 18 (CY7C4245)
- High-speed 100-MHz operation (10 ns read/write cycle time)
- Low power ($I_{CC} = 45$ mA)
- Fully asynchronous and simultaneous read and write operation
- Empty, Full, Half Full, and Programmable Almost Empty/Almost Full status flags
- TTL-compatible
- Retransmit function
- Output Enable (\overline{OE}) pin
- Independent read and write enable pins
- Center power and ground for reduced noise
- Supports free-running 50% duty cycle clock inputs
- Width Expansion Capability
- Depth Expansion Capability
- Space saving 64-pin 10x10 TQFP, and 14x14 TQFP
- 68-pin PLCC

Functional Description

The CY7C42X5 are high-speed, low-power, first-in first-out (FIFO) memories with clocked read and write interfaces. All are 18 bits wide and are pin/functionally compatible to IDT722x5. The CY7C42X5 can be cascaded to increase FIFO depth. Programmable features include Almost Full/Almost Empty flags. These FIFOs provide solutions for a wide variety of data buffering needs, including high-speed data acquisition, multiprocessor interfaces, and communications buffering.

These FIFOs have 18-bit input and output ports that are controlled by separate clock and enable signals. The input port is

controlled by a free-running clock (WCLK) and a write enable pin (\overline{WEN}).

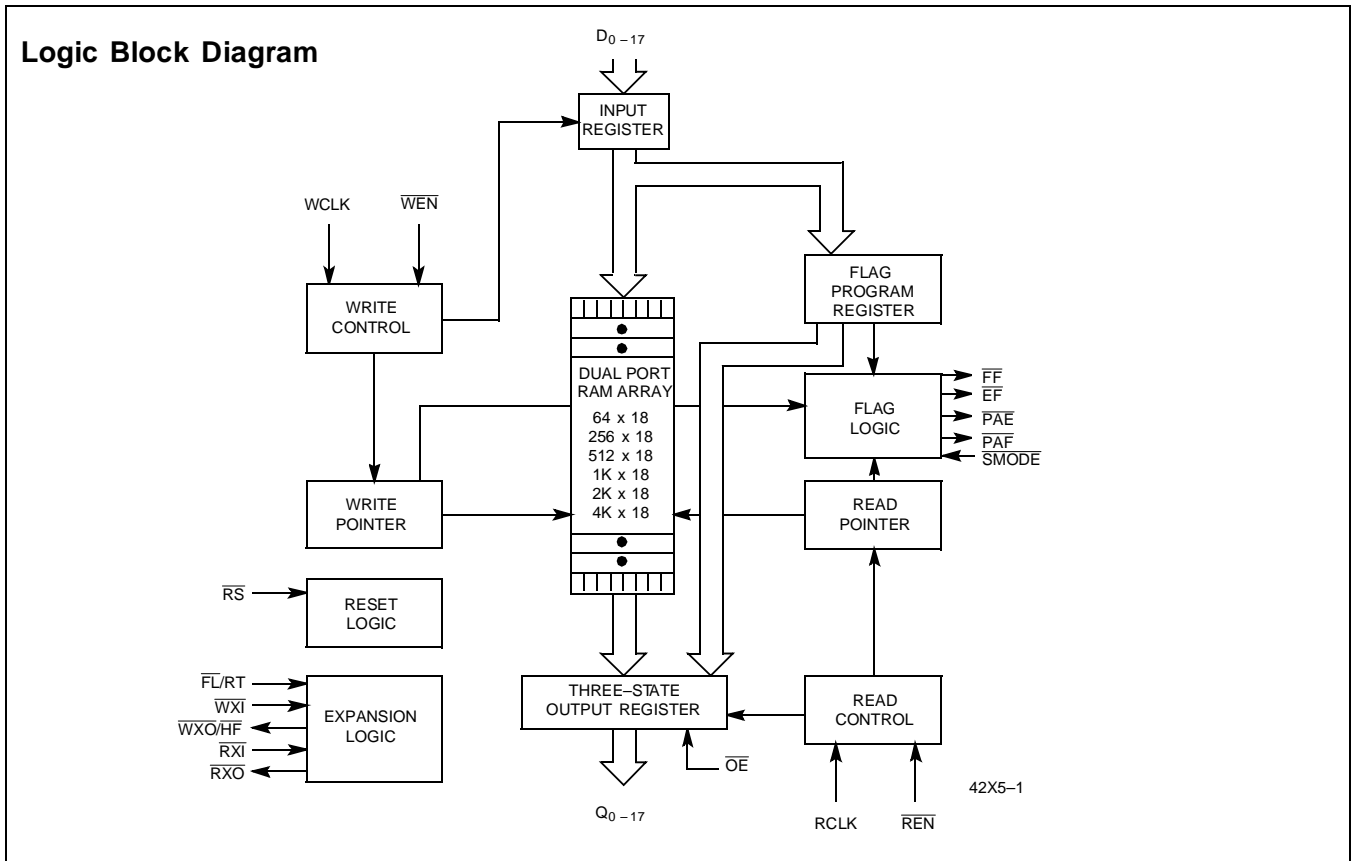
When \overline{WEN} is asserted, data is written into the FIFO on the rising edge of the WCLK signal. While \overline{WEN} is held active, data is continually written into the FIFO on each cycle. The output port is controlled in a similar manner by a free-running read clock (RCLK) and a read enable pin (\overline{REN}). In addition, the CY7C42X5 have an output enable pin (\overline{OE}). The read and write clocks may be tied together for single-clock operation or the two clocks may be run independently for asynchronous read/write applications. Clock frequencies up to 100 MHz are achievable.

Retransmit and Synchronous Almost Full/Almost Empty flag features are available on these devices.

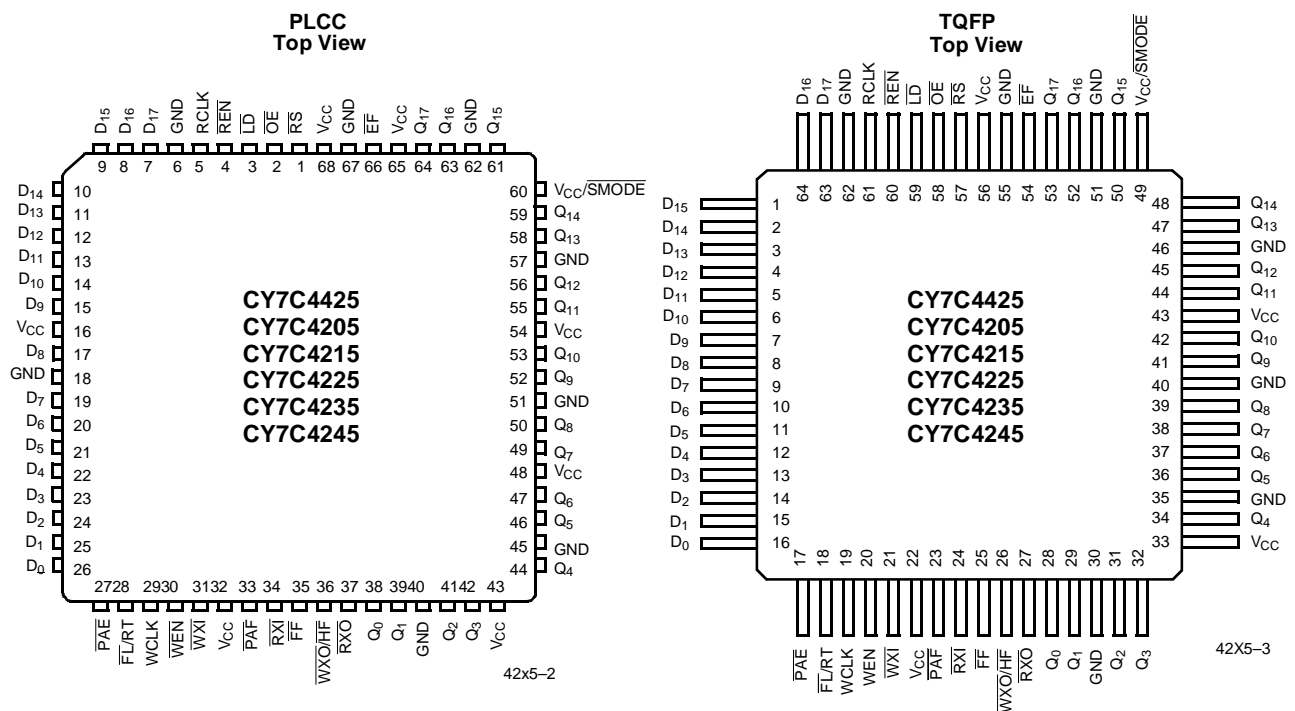
Depth expansion is possible using the cascade input (\overline{WXI} , \overline{RXI}), cascade output (\overline{WXO} , \overline{RXO}), and First Load (\overline{FL}) pins. The \overline{WXO} and \overline{RXO} pins are connected to the \overline{WXI} and \overline{RXI} pins of the next device, and the \overline{WXO} and \overline{RXO} pins of the last device should be connected to the \overline{WXI} and \overline{RXI} pins of the first device. The \overline{FL} pin of the first device is tied to V_{SS} and the \overline{FL} pin of all the remaining devices should be tied to V_{CC} .

The CY7C42X5 provides five status pins. These pins are decoded to determine one of five states: Empty, Almost Empty, Half Full, Almost Full, and Full (see *Table 2*). The Half Full flag shares the \overline{WXO} pin. This flag is valid in the standalone and width-expansion configurations. In the depth expansion, this pin provides the expansion out (\overline{WXO}) information that is used to signal the next FIFO when it will be activated.

The Empty and Full flags are synchronous, i.e., they change state relative to either the read clock (RCLK) or the write clock (WCLK). When entering or exiting the Empty states, the flag is updated exclusively by the RCLK. The flag denoting Full states is updated exclusively by WCLK. The synchronous flag architecture guarantees that the flags will remain valid from one clock cycle to the next. As mentioned previously, the Almost Empty/Almost Full flags become synchronous if the V_{CC}/\overline{SMODE} is tied to V_{SS} . All configurations are fabricated using an advanced 0.65 μ N-Well CMOS technology. Input ESD protection is greater than 2001V, and latch-up is prevented by the use of guard rings.



Pin Configurations



Selection Guide

| | CY7C42X5-10 | CY7C42X5-15 | CY7C42X5-25 | CY7C42X5-35 |
|---|-------------|-------------|-------------|-------------|
| Maximum Frequency (MHz) | 100 | 66.7 | 40 | 28.6 |
| Maximum Access Time (ns) | 8 | 10 | 15 | 20 |
| Minimum Cycle Time (ns) | 10 | 15 | 25 | 35 |
| Minimum Data or Enable Set-Up (ns) | 3 | 4 | 6 | 7 |
| Minimum Data or Enable Hold (ns) | 0.5 | 1 | 1 | 2 |
| Maximum Flag Delay (ns) | 8 | 10 | 15 | 20 |
| Operating Current (I_{CC2}) (mA) @ freq=20MHz | Commercial | 45 | 45 | 45 |
| | Industrial | 50 | 50 | 50 |

| | CY7C4425 | CY7C4205 | CY7C4215 | CY7C4225 | CY7C4235 | CY7C4245 |
|----------|---|---|---|---|---|---|
| Density | 64 x 18 | 256 x 18 | 512 x 18 | 1K x 18 | 2K x 18 | 4K x 18 |
| Packages | 68-pin PLCC 64-pin TQFP (10x10/14x14) | 68-pin PLCC 64-pin TQFP (10x10/14x14) | 68-pin PLCC 64-pin TQFP (10x10/14x14) | 68-pin PLCC 64-pin TQFP (10x10/14x14) | 68-pin PLCC 64-pin TQFP (10x10/14x14) | 68-pin PLCC 64-pin TQFP (10x10/14x14) |

Pin Definitions

| Signal Name | Description | I/O | Function |
|--------------------------------|------------------------------------|-----|---|
| D_{0-17} | Data Inputs | I | Data inputs for an 18-bit bus |
| Q_{0-17} | Data Outputs | O | Data outputs for an 18-bit bus |
| \overline{WEN} | Write Enable | I | Enables the WCLK input |
| \overline{REN} | Read Enable | I | Enables the RCLK input |
| WCLK | Write Clock | I | The rising edge clocks data into the FIFO when \overline{WEN} is LOW and the FIFO is not Full. When \overline{LD} is asserted, WCLK writes data into the programmable flag-offset register. |
| RCLK | Read Clock | I | The rising edge clocks data out of the FIFO when \overline{REN} is LOW and the FIFO is not Empty. When \overline{LD} is asserted, RCLK reads data out of the programmable flag-offset register. |
| $\overline{WXO}/\overline{HF}$ | Write Expansion Out/Half Full Flag | O | Dual-Mode Pin: Single device or width expansion - Half Full status flag. Cascaded - Write Expansion Out signal, connected to \overline{WXI} of next device. |
| \overline{EF} | Empty Flag | O | When \overline{EF} is LOW, the FIFO is empty. \overline{EF} is synchronized to RCLK. |
| \overline{FF} | Full Flag | O | When \overline{FF} is LOW, the FIFO is full. \overline{FF} is synchronized to WCLK. |
| \overline{PAE} | Programmable Almost Empty | O | When \overline{PAE} is LOW, the FIFO is almost empty based on the almost-empty offset value programmed into the FIFO. \overline{PAE} is asynchronous when V_{CC}/\overline{SMODE} is tied to V_{CC} ; it is synchronized to RCLK when V_{CC}/\overline{SMODE} is tied to V_{SS} . |
| \overline{PAF} | Programmable Almost Full | O | When \overline{PAF} is LOW, the FIFO is almost full based on the almost full offset value programmed into the FIFO. \overline{PAF} is asynchronous when V_{CC}/\overline{SMODE} is tied to V_{CC} ; it is synchronized to WCLK when V_{CC}/\overline{SMODE} is tied to V_{SS} . |
| \overline{LD} | Load | I | When \overline{LD} is LOW, D_{0-17} (O_{0-17}) are written (read) into (from) the programmable-flag-offset register. |
| $\overline{FL}/\overline{RT}$ | First Load/Retransmit | I | Dual-Mode Pin: Cascaded - The first device in the daisy chain will have \overline{FL} tied to V_{SS} ; all other devices will have \overline{FL} tied to V_{CC} . In standard mode of width expansion, \overline{FL} is tied to V_{SS} on all devices. Not Cascaded - Tied to V_{SS} . Retransmit function is also available in standalone mode by strobing RT. |
| \overline{WXI} | Write Expansion Input | I | Cascaded - Connected to \overline{WXO} of previous device. Not Cascaded - Tied to V_{SS} . |

Pin Definitions (continued)

| Signal Name | Description | I/O | Function |
|---------------------------|--|-----|--|
| \overline{RXI} | Read Expansion Input | I | Cascaded - Connected to \overline{RXO} of previous device. Not Cascaded - Tied to V_{SS} . |
| \overline{RXO} | Read Expansion Output | O | Cascaded - Connected to \overline{RXI} of next device. |
| \overline{RS} | Reset | I | Resets device to empty condition. A reset is required before an initial read or write operation after power-up. |
| \overline{OE} | Output Enable | I | When \overline{OE} is LOW, the FIFO's data outputs drive the bus to which they are connected. If \overline{OE} is HIGH, the FIFO's outputs are in High Z (high-impedance) state. |
| V_{CC}/\overline{SMODE} | Synchronous Almost Empty/ Almost Full Flags | I | Dual-Mode Pin Asynchronous Almost Empty/Almost Full flags - tied to V_{CC} . Synchronous Almost Empty/Almost Full flags - tied to V_{SS} . (Almost Empty synchronized to RCLK, Almost Full synchronized to WCLK.) |

Maximum Ratings

(Above which the useful life may be impaired. For user guidelines, not tested.)

| | |
|--|-----------------|
| Storage Temperature | -65°C to +150°C |
| Ambient Temperature with Power Applied..... | -55°C to +125°C |
| Supply Voltage to Ground Potential..... | -0.5V to +7.0V |
| DC Voltage Applied to Outputs in High Z State..... | -0.5V to +7.0V |
| DC Input Voltage | -3.0V to +7.0V |

| | |
|--|--|
| Output Current into Outputs (LOW)..... | 20 mA |
| Static Discharge Voltage | >2001V (per MIL-STD-883, Method 3015) |
| Latch-Up Current..... | >200 mA |

Operating Range

| Range | Ambient Temperature | V_{CC} |
|---------------------------|---------------------|----------|
| Commercial | 0°C to +70°C | 5V ± 10% |
| Industrial ^[1] | -40°C to +85°C | 5V ± 10% |

Electrical Characteristics Over the Operating Range^[2]

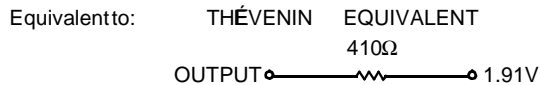
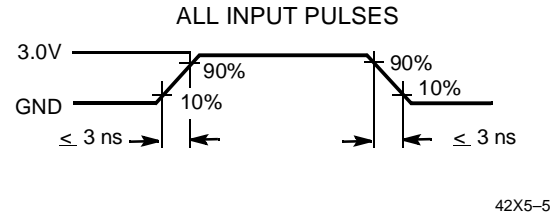
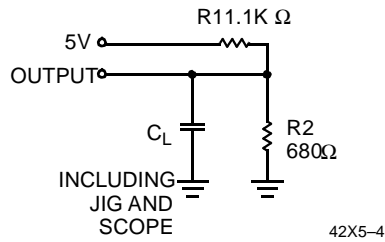
| Parameter | Description | Test Conditions | 7C42X5-10 | | 7C42X5-15 | | 7C42X5-25 | | 7C42X5-35 | | Unit |
|--------------------------|------------------------------|--|-----------|----------|-----------|----------|-----------|----------|-----------|----------|------|
| | | | Min. | Max. | Min. | Max. | Min. | Max. | Min. | Max. | |
| V_{OH} | Output HIGH Voltage | $V_{CC} = \text{Min.}, I_{OH} = -2.0 \text{ mA}$ | 2.4 | | 2.4 | | 2.4 | | 2.4 | | V |
| V_{OL} | Output LOW Voltage | $V_{CC} = \text{Min.}, I_{OL} = 8.0 \text{ mA}$ | | 0.4 | | 0.4 | | 0.4 | | 0.4 | V |
| V_{IH} ^[3] | Input HIGH Voltage | | 2.2 | V_{CC} | 2.2 | V_{CC} | 2.2 | V_{CC} | 2.2 | V_{CC} | V |
| V_{IL} ^[3] | Input LOW Voltage | | -3.0 | 0.8 | -3.0 | 0.8 | -3.0 | 0.8 | -3.0 | 0.8 | V |
| I_{IX} | Input Leakage Current | $V_{CC} = \text{Max.}$ | -10 | +10 | -10 | +10 | -10 | +10 | -10 | +10 | µA |
| I_{OS} ^[4] | Output Short Circuit Current | $V_{CC} = \text{Max.}, V_{OUT} = \text{GND}$ | -90 | | -90 | | -90 | | -90 | | mA |
| I_{OZL} I_{OZH} | Output OFF, High Z Current | $\overline{OE} \geq V_{IH}, V_{SS} < V_O < V_{CC}$ | -10 | +10 | -10 | +10 | -10 | +10 | -10 | +10 | µA |
| I_{CC2} ^[5] | Operating Current | $V_{CC} = \text{Max.}, I_{OUT} = 0 \text{ mA}$ | Com'l | | 45 | 45 | 45 | 45 | 45 | 45 | mA |
| | | | Ind | | 50 | 50 | 50 | 50 | 50 | 50 | mA |
| I_{SB} ^[6] | Standby Current | $V_{CC} = \text{Max.}, I_{OUT} = 0 \text{ mA}$ | Com'l | | 10 | 10 | 10 | 10 | 10 | 10 | mA |
| | | | Ind | | 15 | 15 | 15 | 15 | 15 | 15 | mA |

Notes:

- T_A is the "instant on" case temperature.
- See the last page of this specification for Group A subgroup testing information.
- The V_{IH} and V_{IL} specifications apply for all inputs except \overline{WXI} , \overline{RXI} . The \overline{WXI} , \overline{RXI} pin is not a TTL input. It is connected to either \overline{RXO} , \overline{WXO} of the previous device or V_{SS} .
- Test no more than one output at a time for not more than one second.
- Input signals switch from 0V to 3V with a rise/fall time less than 3 ns, clocks and clock enables switch at 20 MHz, while the data inputs switch at 10 MHz. Outputs are unloaded.
- All input signals are connected to V_{CC} . All outputs are unloaded.

Capacitance^[7]

| Parameter | Description | Test Conditions | Max. | Unit |
|-----------|--------------------|---|------|------|
| C_{IN} | Input Capacitance | $T_A = 25^\circ\text{C}$, $f = 1\text{ MHz}$, $V_{CC} = 5.0\text{V}$ | 5 | pF |
| C_{OUT} | Output Capacitance | | 7 | pF |

AC Test Loads and Waveforms^[8, 9]

Switching Characteristics Over the Operating Range

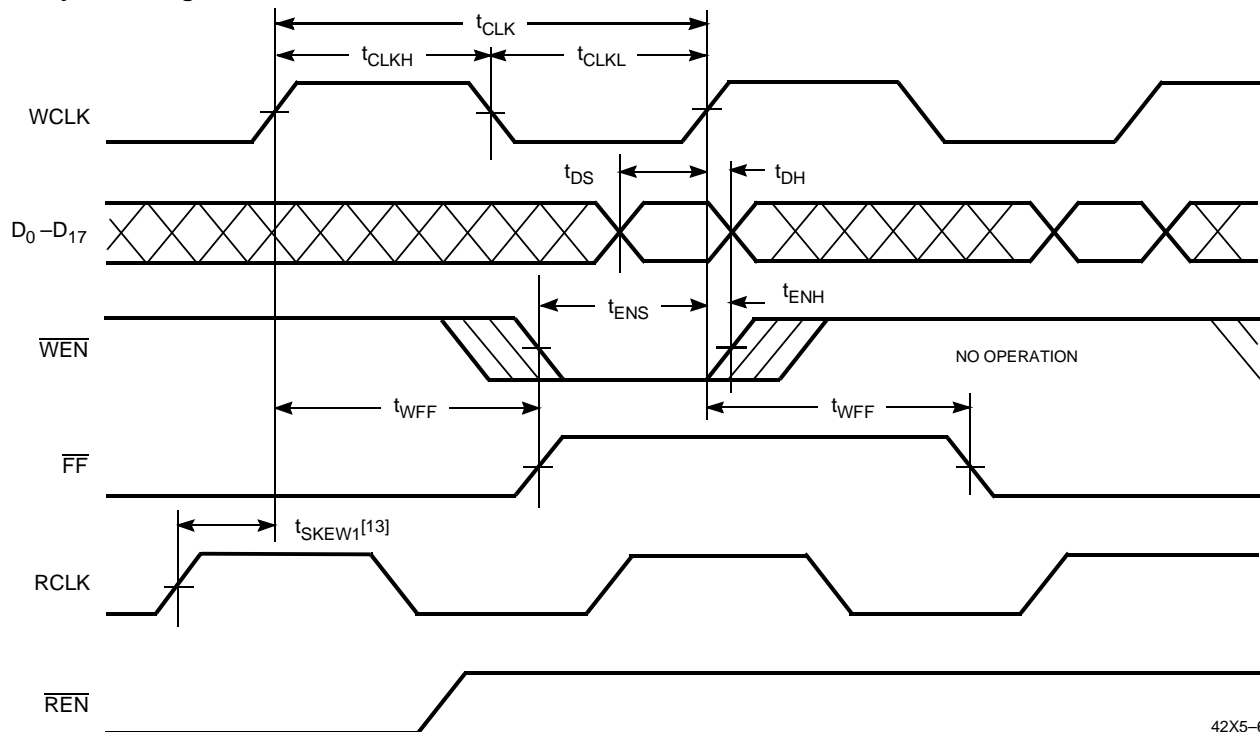
| Parameter | Description | 7C42X5-10 | | 7C42X5-15 | | 7C42X5-25 | | 7C42X5-35 | | Unit |
|------------|---|-----------|------|-----------|------|-----------|------|-----------|------|------|
| | | Min. | Max. | Min. | Max. | Min. | Max. | Min. | Max. | |
| t_S | Clock Cycle Frequency | | 100 | | 66.7 | | 40 | | 28.6 | MHz |
| t_A | Data Access Time | 2 | 8 | 2 | 10 | 2 | 15 | 2 | 20 | ns |
| t_{CLK} | Clock Cycle Time | 10 | | 15 | | 25 | | 35 | | ns |
| t_{CLKH} | Clock HIGH Time | 4.5 | | 6 | | 10 | | 14 | | ns |
| t_{CLKL} | Clock LOW Time | 4.5 | | 6 | | 10 | | 14 | | ns |
| t_{DS} | Data Set-Up Time | 3 | | 4 | | 6 | | 7 | | ns |
| t_{DH} | Data Hold Time | 0.5 | | 1 | | 1 | | 2 | | ns |
| t_{ENS} | Enable Set-Up Time | 3 | | 4 | | 6 | | 7 | | ns |
| t_{ENH} | Enable Hold Time | 0.5 | | 1 | | 1 | | 2 | | ns |
| t_{RS} | Reset Pulse Width ^[10] | 10 | | 15 | | 25 | | 35 | | ns |
| t_{RSR} | Reset Recovery Time | 8 | | 10 | | 15 | | 20 | | ns |
| t_{RSF} | Reset to Flag and Output Time | | 10 | | 15 | | 25 | | 35 | ns |
| t_{PRT} | Retransmit Pulse Width | 12 | | 15 | | 25 | | 35 | | ns |
| t_{RTR} | Retransmit Recovery Time | 12 | | 15 | | 25 | | 35 | | ns |
| t_{OLZ} | Output Enable to Output in Low Z ^[11] | 0 | | 0 | | 0 | | 0 | | ns |
| t_{OE} | Output Enable to Output Valid | 3 | 7 | 3 | 8 | 3 | 12 | 3 | 15 | ns |
| t_{OHZ} | Output Enable to Output in High Z ^[11] | 3 | 7 | 3 | 8 | 3 | 12 | 3 | 15 | ns |
| t_{WFF} | Write Clock to Full Flag | | 8 | | 10 | | 15 | | 20 | ns |
| t_{REF} | Read Clock to Empty Flag | | 8 | | 10 | | 15 | | 20 | ns |

Notes:

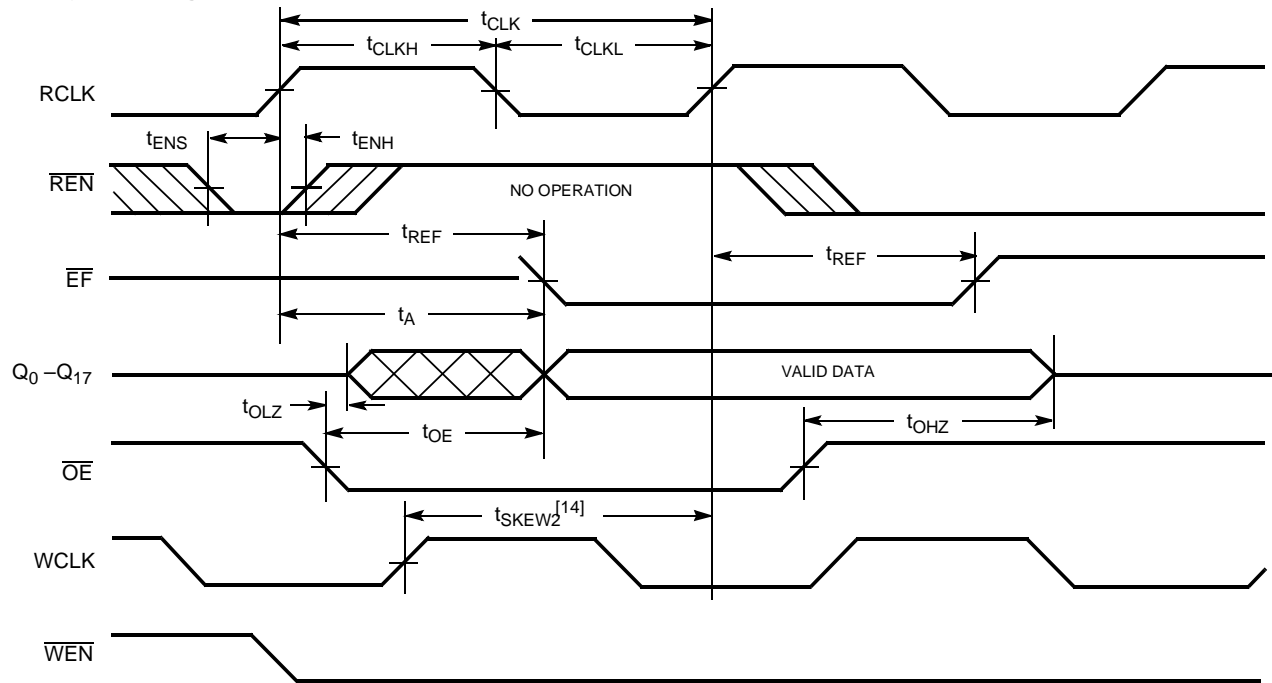
7. Tested initially and after any design or process changes that may affect these parameters.
8. $C_L = 30\text{ pF}$ for all AC parameters except for t_{OHZ} .
9. $C_L = 5\text{ pF}$ for t_{OHZ} .
10. Pulse widths less than minimum values are not allowed.
11. Values guaranteed by design, not currently tested.

Switching Characteristics Over the Operating Range (continued)

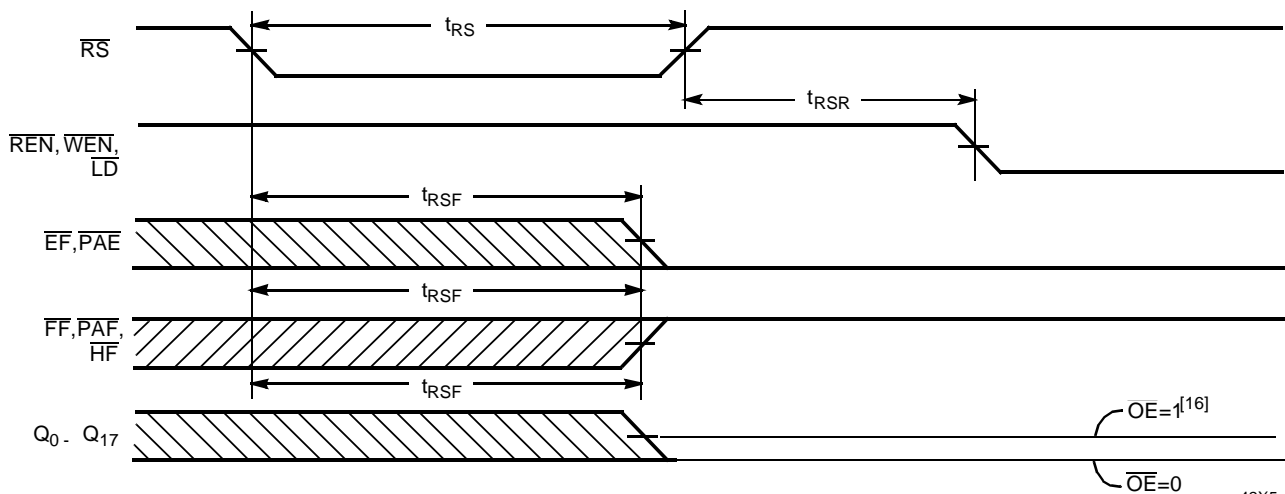
| Parameter | Description | 7C42X5-10 | | 7C42X5-15 | | 7C42X5-25 | | 7C42X5-35 | | Unit |
|-----------------|--|-----------|------|-----------|------|-----------|------|-----------|------|------|
| | | Min. | Max. | Min. | Max. | Min. | Max. | Min. | Max. | |
| $t_{PAFasynch}$ | Clock to Programmable Almost-Full Flag ^[12] (Asynchronous mode, $V_{CC}/SMODE$ tied to V_{CC}) | | 12 | | 16 | | 20 | | 25 | ns |
| $t_{PAFsynch}$ | Clock to Programmable Almost-Full Flag (Synchronous mode, $V_{CC}/SMODE$ tied to V_{SS}) | | 8 | | 10 | | 15 | | 20 | ns |
| $t_{PAEasynch}$ | Clock to Programmable Almost-Empty Flag ^[12] (Asynchronous mode, $V_{CC}/SMODE$ tied to V_{CC}) | | 12 | | 16 | | 20 | | 25 | ns |
| $t_{PAEsynch}$ | Clock to Programmable Almost-Empty Flag (Synchronous mode, $V_{CC}/SMODE$ tied to V_{SS}) | | 8 | | 10 | | 15 | | 20 | ns |
| t_{HF} | Clock to Half-Full Flag | | 12 | | 16 | | 20 | | 25 | ns |
| t_{XO} | Clock to Expansion Out | | 7 | | 10 | | 15 | | 20 | ns |
| t_{XI} | Expansion in Pulse Width | 3 | | 6.5 | | 10 | | 14 | | ns |
| t_{XIS} | Expansion in Set-Up Time | 4.5 | | 5 | | 10 | | 15 | | ns |
| t_{SKEW1} | Skew Time between Read Clock and Write Clock for Full Flag | 5 | | 6 | | 10 | | 12 | | ns |
| t_{SKEW2} | Skew Time between Read Clock and Write Clock for Empty Flag | 5 | | 6 | | 10 | | 12 | | ns |
| t_{SKEW3} | Skew Time between Read Clock and Write Clock for Programmable Almost Empty and Programmable Almost Full Flags. | 10 | | 15 | | 18 | | 20 | | ns |

Switching Waveforms
Write Cycle Timing

Notes:

12. $t_{PAFasynch}$, $t_{PAEasynch}$ after program register write will not be valid until $5\text{ ns} + t_{PAF(E)}$.
13. t_{SKEW1} is the minimum time between a rising RCLK edge and a rising WCLK edge to guarantee that FF will go HIGH during the current clock cycle. If the time between the rising edge of RCLK and the rising edge of WCLK is less than t_{SKEW1} , then FF may not change state until the next WCLK edge.

Switching Waveforms (continued)
Read Cycle Timing


42X5-7

Reset Timing^[15]


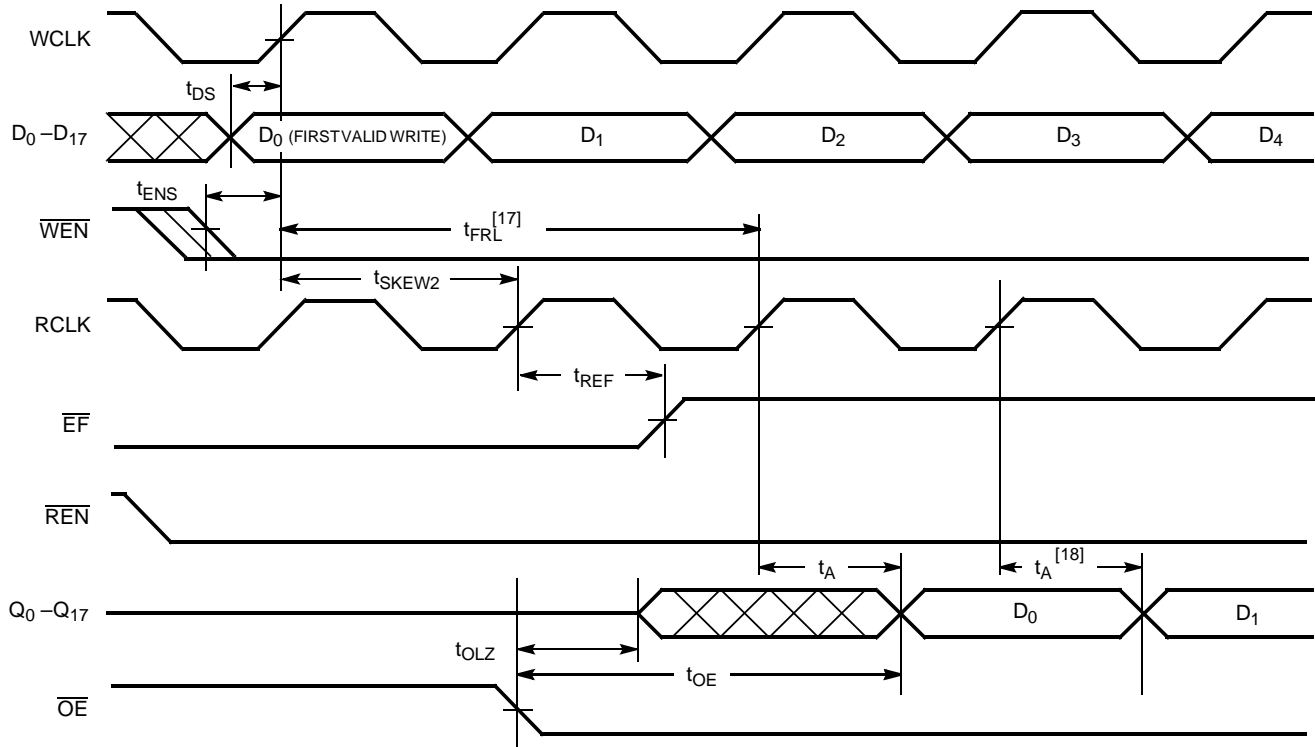
42X5-8

Notes:

14. t_{SKEW2} is the minimum time between a rising WCLK edge and a rising RCLK edge to guarantee that \overline{OE} will go HIGH during the current clock cycle. If the time between the rising edge of WCLK and the rising edge of RCLK is less than t_{SKEW2} , then \overline{OE} may not change state until the next RCLK edge.
15. The clocks (RCLK, WCLK) can be free-running during reset.
16. After reset, the outputs will be LOW if $\overline{OE} = 0$ and three-state if $\overline{OE} = 1$.

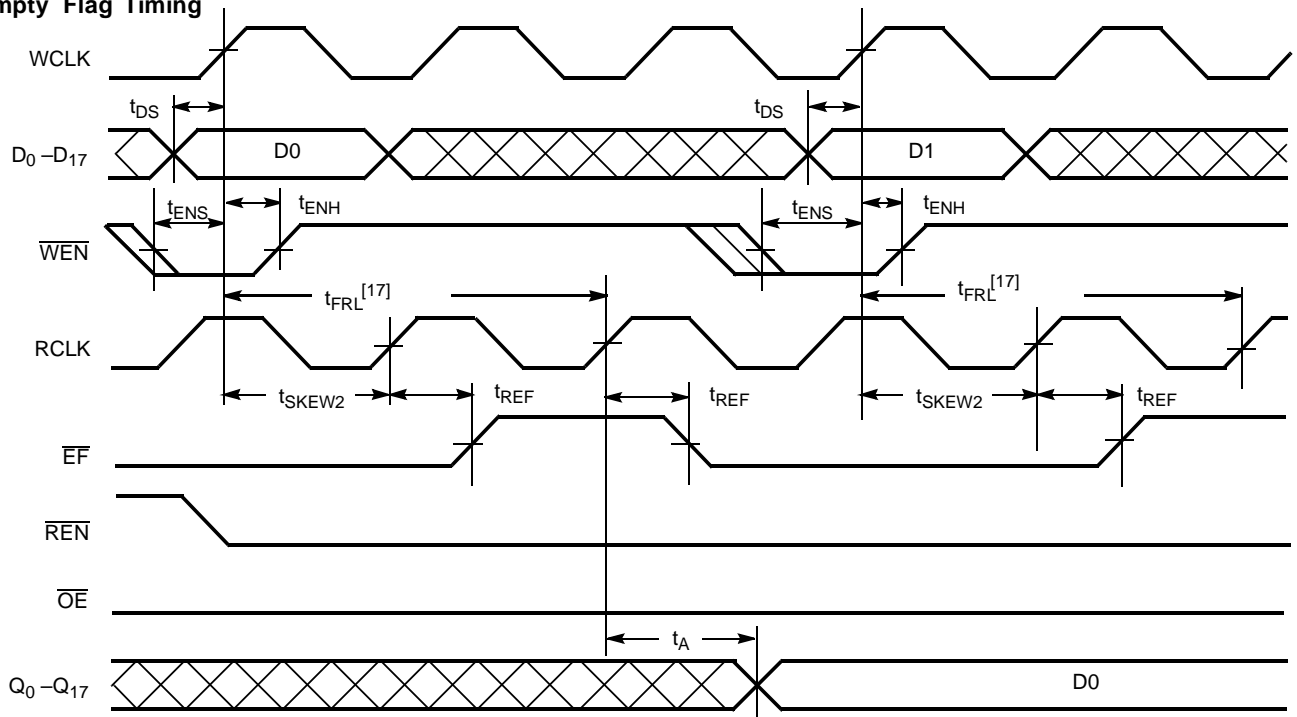
Switching Waveforms (continued)

First Data Word Latency after Reset with Simultaneous Read and Write



42X5-9

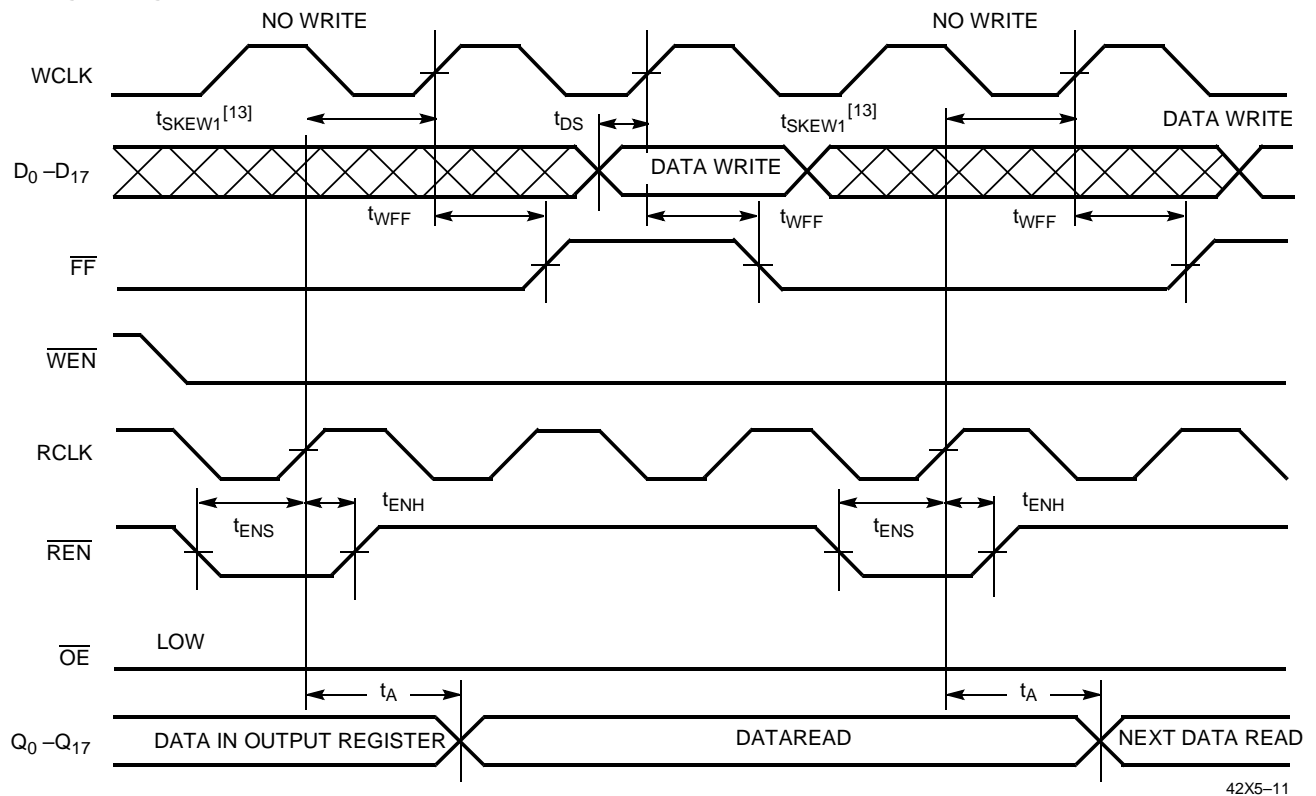
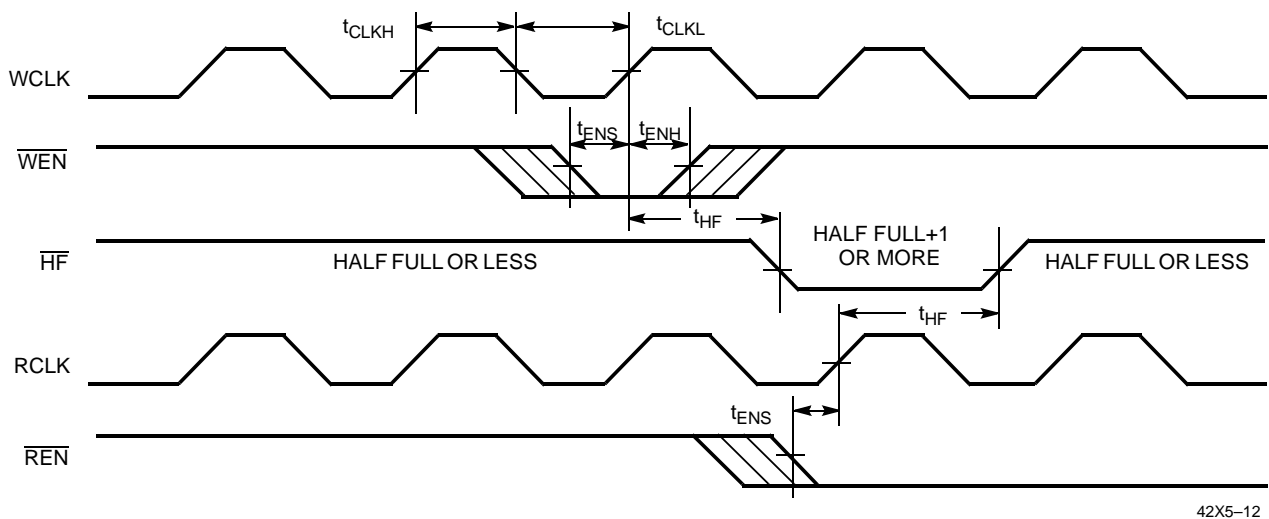
Empty Flag Timing

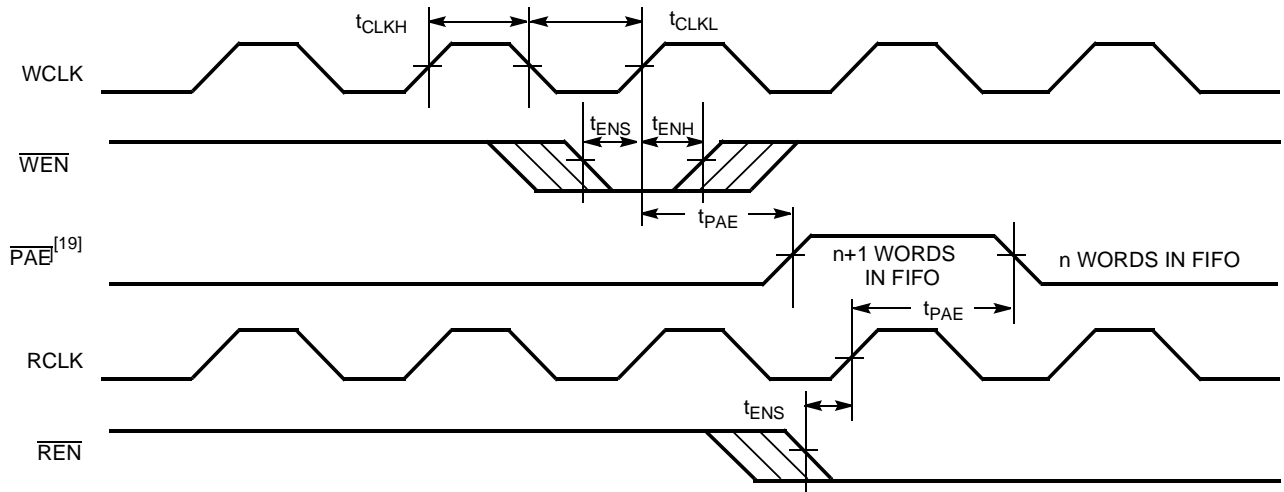


42X5-10

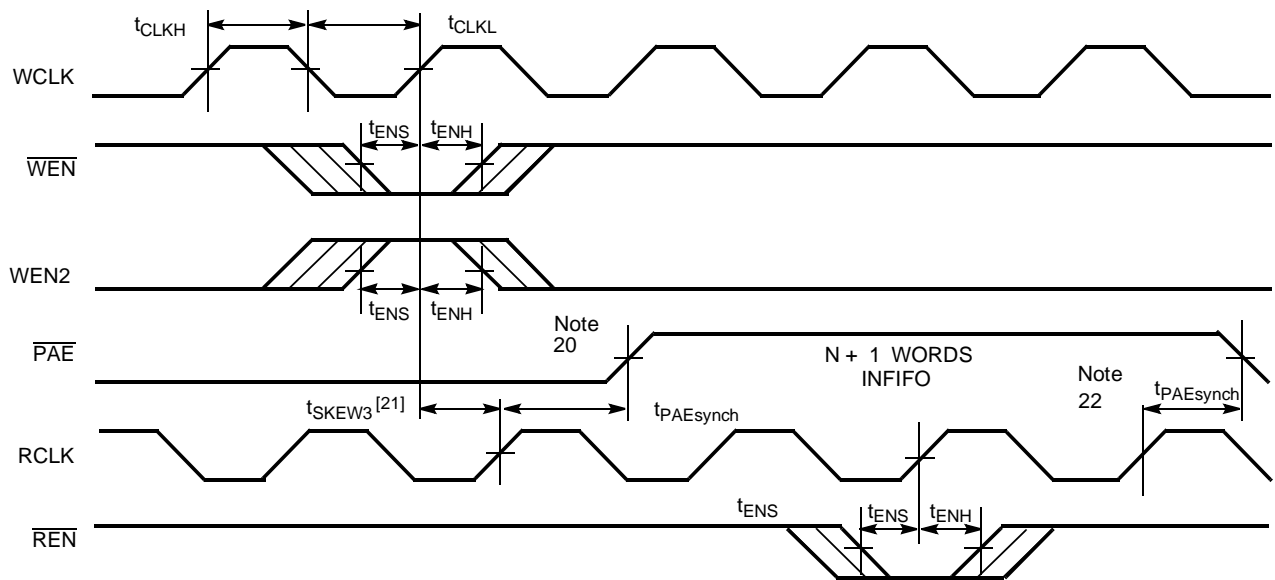
Notes:

17. When $t_{SKEW2} \geq$ minimum specification, $t_{FRL}^{(maximum)} = t_{CLK} + t_{SKEW2}$. When $t_{SKEW2} <$ minimum specification, $t_{FRL}^{(maximum)} =$ either $2 * t_{CLK} + t_{SKEW2}$ or $t_{CLK} + t_{SKEW2}$. The Latency Timing applies only at the Empty Boundary (EF = LOW).
18. The first word is available the cycle after EF goes HIGH, always.

Switching Waveforms (continued)
Full Flag Timing

Half-Full Flag Timing


Switching Waveforms (continued)
Programmable Almost Empty Flag Timing


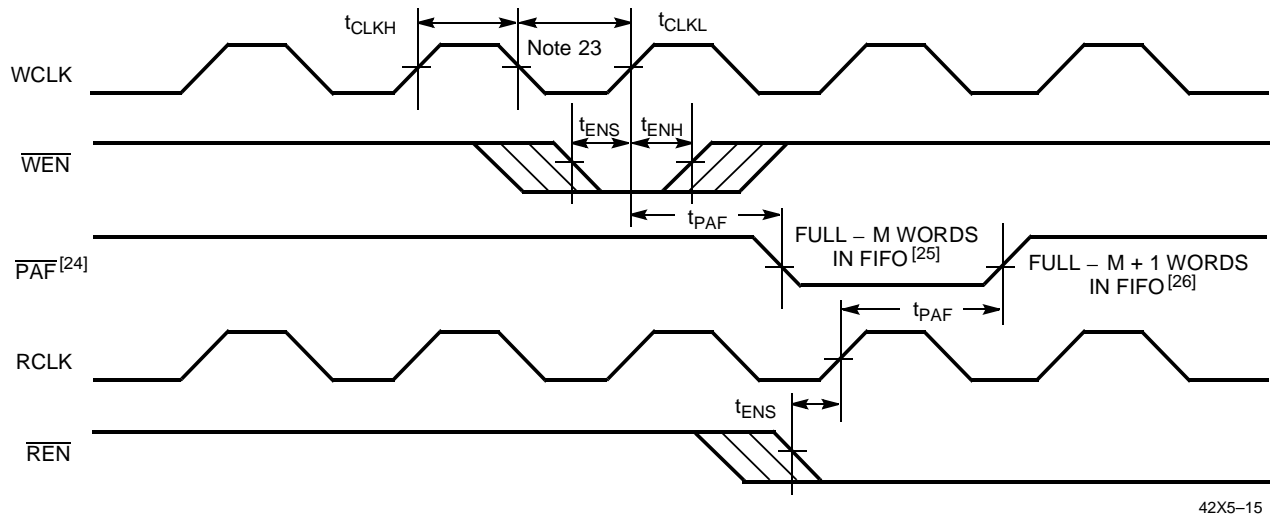
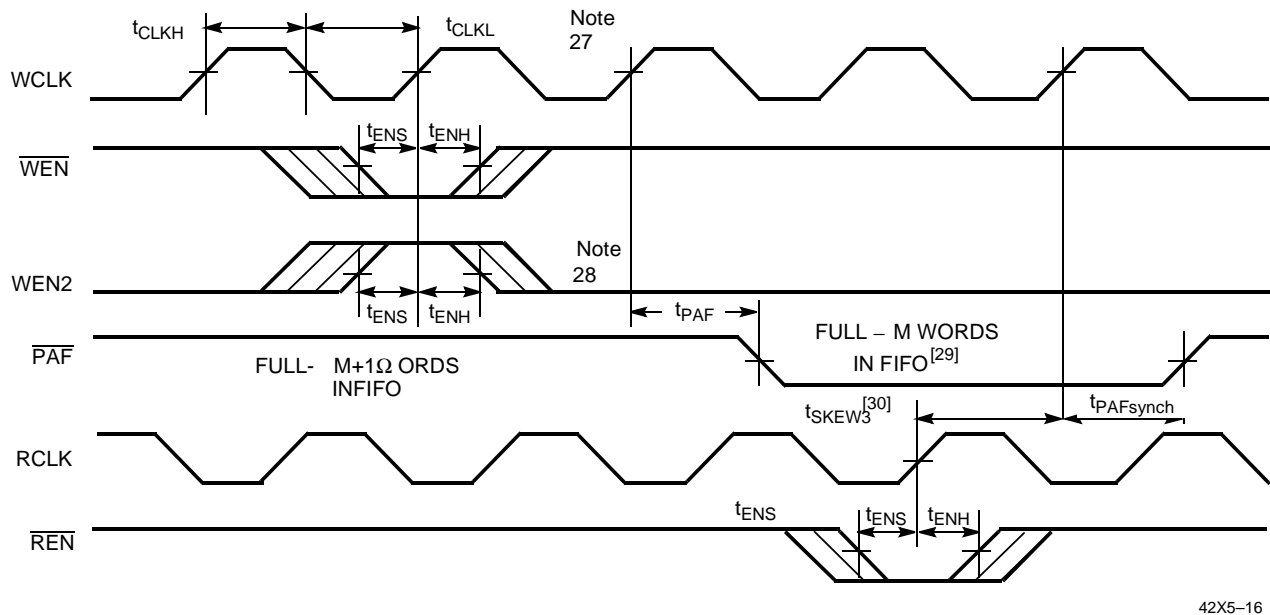
42X5-13

Programmable Almost Empty Flag Timing (applies only in \overline{SMODE} (\overline{SMODE} is LOW))


42X5-14

Notes:

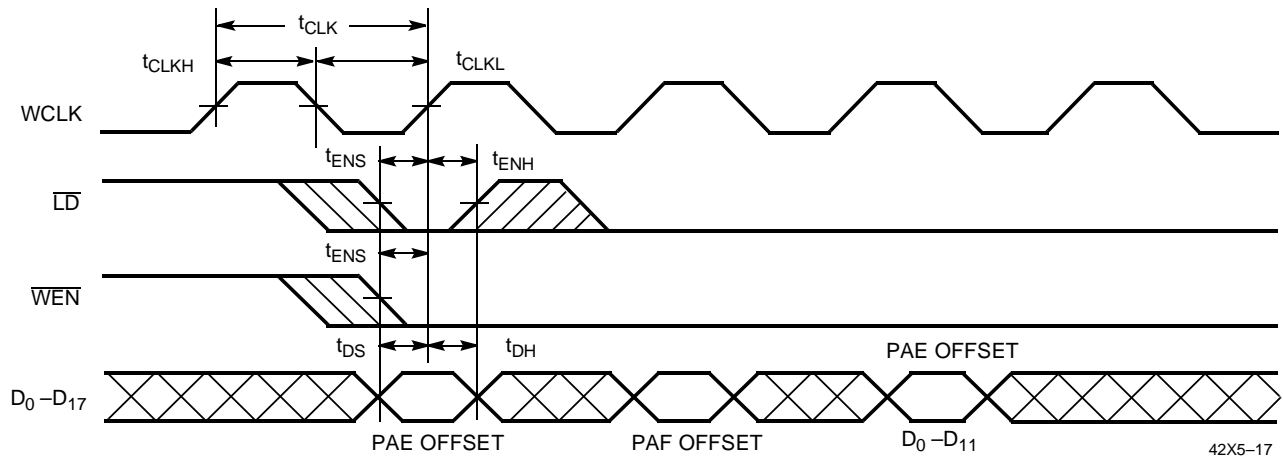
19. PAE offset - n. Number of data words into FIFO already = n.
20. PAE offset - n.
21. t_{SKEW3} is the minimum time between a rising WCLK and a rising RCLK edge for \overline{PAE} to change state during that clock cycle. If the time between the edge of WCLK and the rising RCLK is less than t_{SKEW3} , then \overline{PAE} may not change state until the next RCLK.
22. If a read is performed on this rising edge of the read clock, there will be Empty + (n - 1) words in the FIFO when \overline{PAE} goes LOW.

Switching Waveforms (continued)
Programmable Almost Full Flag Timing

Programmable Almost Full Flag Timing (applies only in S $\overline{\text{MODE}}$ (S MODE in LOW))

Notes:

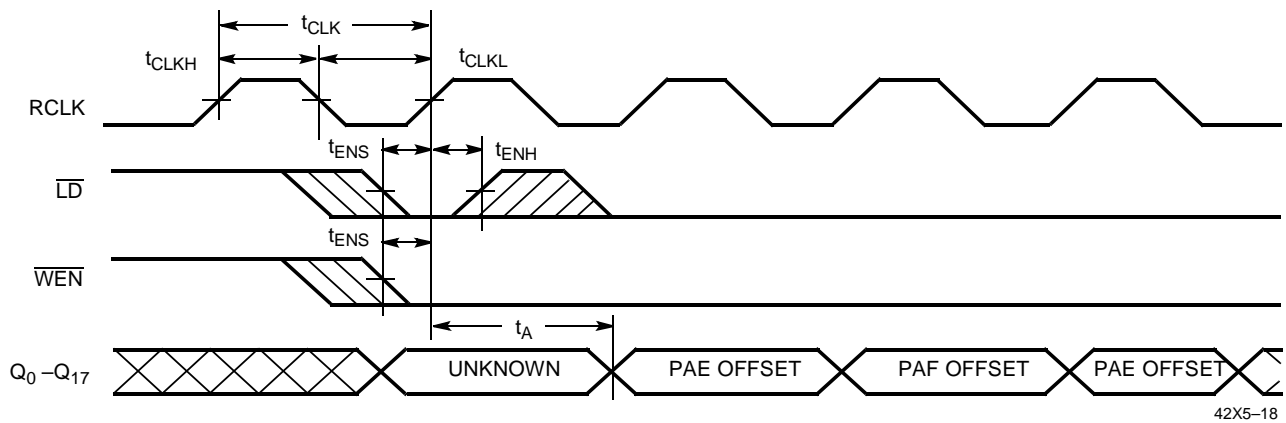
23. PAF offset = m. Number of data words written into FIFO already = 64 - m + 1 for the CY7C4425, 256 - m + 1 for the CY7C4205, 512 - m + 1 for the CY7C4215, 1024 - m + 1 for the CY7C4225, 2048 - m + 1 for the CY7C4235, and 4096 - m + 1 for the CY7C4245.
24. PAF is offset = m.
25. 64 - m words in CY7C4425, 256 - m words in CY7C4205, 512 - m words in CY7C4215, 1024 - m words in CY7C4225, 2048 - m words in CY7C4235, and 4096 - m words in CY7C4245.
26. 64 - m + 1 words in CY7C4425, 256 - m + 1 words in CY7C4205, 512 - m + 1 words in CY7C4215, 1024 - m + 1 words in CY7C4225, 2048 - m + 1 words in CY7C4235, and 4096 - m + 1 words in CY7C4245.
27. If a write is performed on this rising edge of the write clock, there will be Full - (m - 1) words of the FIFO when $\overline{\text{PAF}}$ goes LOW.
28. PAF offset = m.
29. 64 - m words in CY7C4425, 256 - m words in FIFO for CY7C4205, 512 - m words in CY7C4215, 1024 - m words in CY7C4225, 2048 - m words in CY7C4235, and 4096 - m words in CY7C4245.
30. $t_{\text{SKEW3}}^{[30]}$ is the minimum time between a rising RCLK and a rising WCLK edge for $\overline{\text{PAF}}$ to change state during that clock cycle. If the time between the edge of RCLK and the rising edge of WCLK is less than t_{SKEW3} , then $\overline{\text{PAF}}$ may not change state until the next WCLK rising edge.

Switching Waveforms (continued)

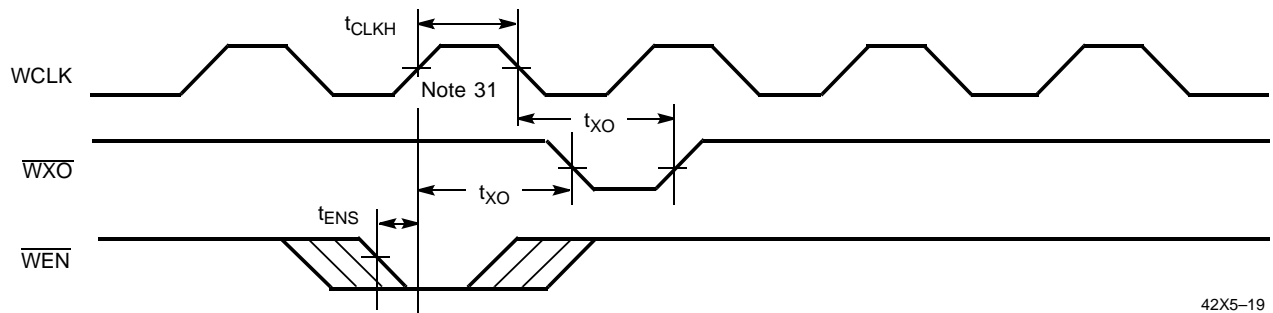
Write Programmable Registers



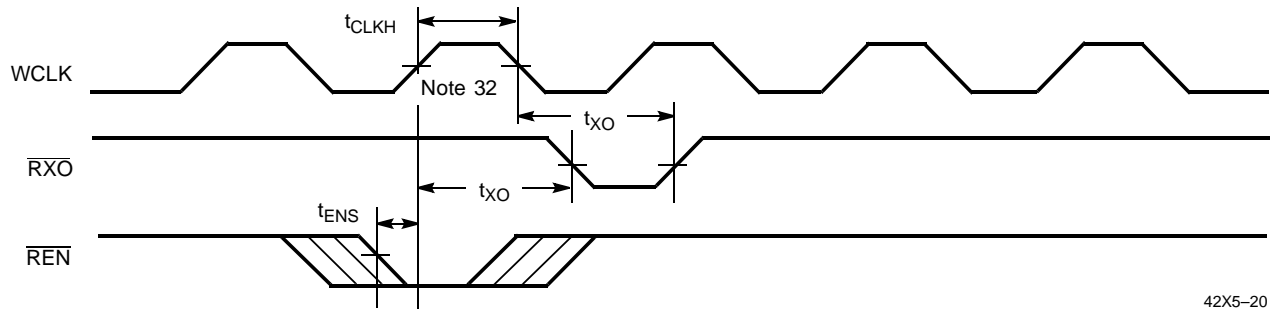
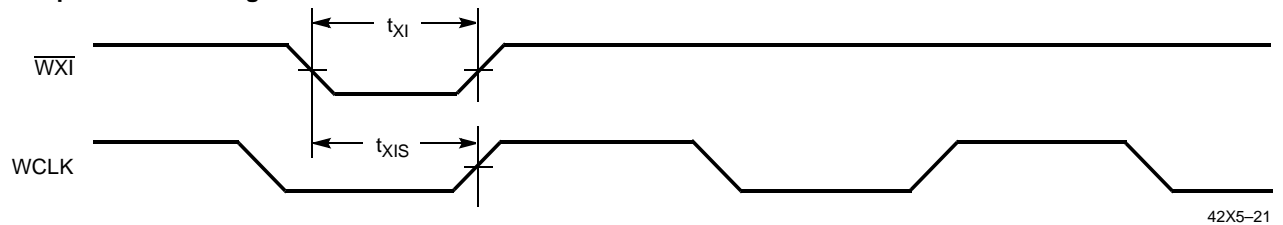
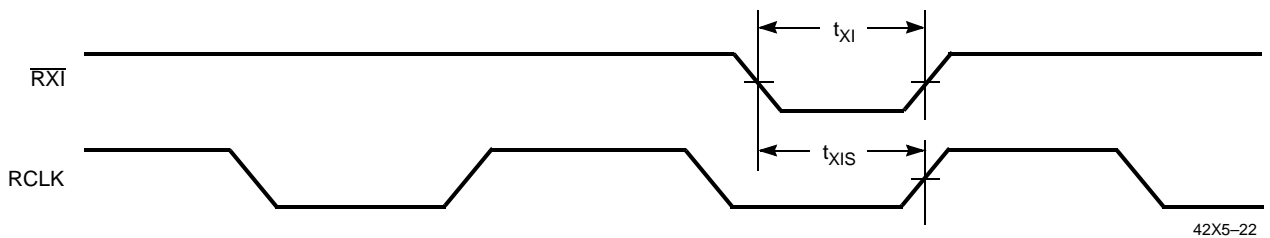
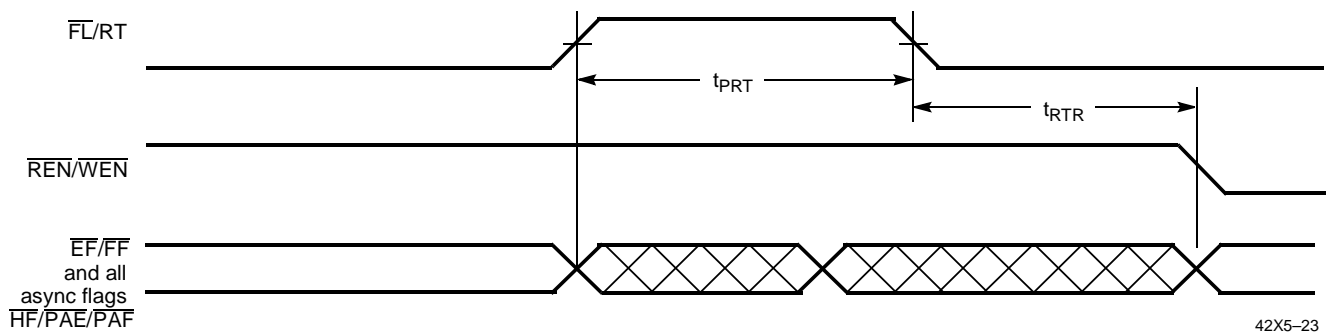
Read Programmable Registers



Write Expansion Out Timing



Note:
31. Write to Last Physical Location.

Switching Waveforms (continued)
Read Expansion Out Timing

Write Expansion In Timing

Read Expansion In Timing

Retransmit Timing^[33, 34, 35]

Notes:

32. Read from Last Physical Location.
33. Clocks are free running in this case.
34. The flags may change state during Retransmit as a result of the offset of the read and write pointers, but flags will be valid at t_{RTR} .
35. For the synchronous PAE and PAF flags (SMODE), an appropriate clock cycle is necessary after t_{RTR} to update these flags.

Architecture

The CY7C42X5 consists of an array of 64 to 4K words of 18 bits each (implemented by a dual-port array of SRAM cells), a read pointer, a write pointer, control signals (\overline{RCLK} , \overline{WCLK} , \overline{REN} , \overline{WEN} , \overline{RS}), and flags (\overline{EF} , \overline{PAE} , \overline{HF} , \overline{PAF} , \overline{FF}). The CY7C42X5 also includes the control signals \overline{WXI} , \overline{RXI} , \overline{WXO} , \overline{RXO} for depth expansion.

Resetting the FIFO

Upon power-up, the FIFO must be reset with a Reset (\overline{RS}) cycle. This causes the FIFO to enter the Empty condition signified by \overline{EF} being LOW. All data outputs go LOW after the falling edge of \overline{RS} only if \overline{OE} is asserted. In order for the FIFO to reset to its default state, a falling edge must occur on \overline{RS} and the user must not read or write while \overline{RS} is LOW.

FIFO Operation

When the \overline{WEN} signal is active (LOW), data present on the D_{0-17} pins is written into the FIFO on each rising edge of the \overline{WCLK} signal. Similarly, when the \overline{REN} signal is active LOW, data in the FIFO memory will be presented on the Q_{0-17} outputs. New data will be presented on each rising edge of \overline{RCLK} while \overline{REN} is active LOW and \overline{OE} is LOW. \overline{REN} must set up t_{ENS} before \overline{RCLK} for it to be a valid read function. \overline{WEN} must occur t_{ENS} before \overline{WCLK} for it to be a valid write function.

An output enable (\overline{OE}) pin is provided to three-state the Q_{0-17} outputs when \overline{OE} is deasserted. When \overline{OE} is enabled (LOW), data in the output register will be available to the Q_{0-17} outputs after t_{OE} . If devices are cascaded, the \overline{OE} function will only output data on the FIFO that is read enabled.

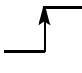

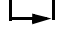
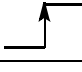
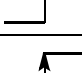
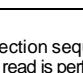
The FIFO contains overflow circuitry to disallow additional writes when the FIFO is full, and underflow circuitry to disallow additional reads when the FIFO is empty. An empty FIFO maintains the data of the last valid read on its Q_{0-17} outputs even after additional reads occur.

Programming

The CY7C42X5 devices contain two 12-bit offset registers. Data present on D_{0-11} during a program write will determine the distance from Empty (Full) that the Almost Empty (Almost Full) flags become active. If the user elects not to program the FIFO's flags, the default offset values are used (see *Table 2*). When the Load \overline{LD} pin is set LOW and \overline{WEN} is set LOW, data on the inputs D_{0-11} is written into the Empty offset register on the first LOW-to-HIGH transition of the write clock (\overline{WCLK}). When the \overline{LD} pin and \overline{WEN} are held LOW then data is written into the Full offset register on the second LOW-to-HIGH transition of the write clock (\overline{WCLK}). The third transition of the write clock (\overline{WCLK}) again writes to the Empty offset register (see *Table 1*). Writing all offset registers does not have to occur at one time. One or two offset registers can be written and then, by bringing the \overline{LD} pin HIGH, the FIFO is returned to normal read/write operation. When the \overline{LD} pin is set LOW, and \overline{WEN} is LOW, the next offset register in sequence is written.

The contents of the offset registers can be read on the output lines when the \overline{LD} pin is set LOW and \overline{REN} is set LOW; then, data can be read on the LOW-to-HIGH transition of the read clock (\overline{RCLK}).

Table 1. Write Offset Register

| \overline{LD} | \overline{WEN} | \overline{WCLK} ^[36] | Selection |
|-----------------|------------------|---|---|
| 0 | 0 |  | Writing to offset registers: Empty Offset  Full Offset  |
| 0 | 1 |  | No Operation |
| 1 | 0 |  | Write Into FIFO |
| 1 | 1 |  | No Operation |

Note:

36. The same selection sequence applies to reading from the registers. \overline{REN} is enabled and read is performed on the LOW-to-HIGH transition of \overline{RCLK} .

Flag Operation

The CY7C42X5 devices provide five flag pins to indicate the condition of the FIFO contents. Empty and Full are synchronous. \overline{PAE} and \overline{PAF} are synchronous if $V_{\text{CC}}/\overline{SMODE}$ is tied to V_{SS} .

Full Flag

The Full Flag (\overline{FF}) will go LOW when device is Full. Write operations are inhibited whenever \overline{FF} is LOW regardless of the state of \overline{WEN} . \overline{FF} is synchronized to \overline{WCLK} , i.e., it is exclusively updated by each rising edge of \overline{WCLK} .

Empty Flag

The Empty Flag (\overline{EF}) will go LOW when the device is empty. Read operations are inhibited whenever \overline{EF} is LOW, regardless of the state of \overline{REN} . \overline{EF} is synchronized to \overline{RCLK} , i.e., it is exclusively updated by each rising edge of \overline{RCLK} .

Programmable Almost Empty/Almost Full Flag

The CY7C42X5 features programmable Almost Empty and Almost Full Flags. Each flag can be programmed (described in the Programming section) a specific distance from the corresponding boundary flags (Empty or Full). When the FIFO contains the number of words or fewer for which the flags have been programmed, the \overline{PAF} or \overline{PAE} will be asserted, signifying that the FIFO is either Almost Full or Almost Empty. See *Table 2* for a description of programmable flags.

When the \overline{SMODE} pin is tied LOW, the \overline{PAF} flag signal transition is caused by the rising edge of the write clock and the \overline{PAE} flag transition is caused by the rising edge of the read clock.

Retransmit

The retransmit feature is beneficial when transferring packets of data. It enables the receipt of data to be acknowledged by the receiver and retransmitted if necessary.

The Retransmit (RT) input is active in the standalone and width expansion modes. The retransmit feature is intended for use when a number of writes equal to or less than the depth of the FIFO have occurred since the last \overline{RS} cycle. A HIGH pulse on RT resets the internal read pointer to the first physical location of the FIFO. \overline{WCLK} and \overline{RCLK} may be free running but must be disabled during and t_{RTT} after the retransmit pulse. With

every valid read cycle after retransmit, previously accessed data is read and the read pointer is incremented until it is equal to the write pointer. Flags are governed by the relative locations of the read and write pointers and are updated during a

retransmit cycle. Data written to the FIFO after activation of RT are transmitted also.

The full depth of the FIFO can be repeatedly retransmitted.

Table 2. Flag Truth Table.

| Number of Words in FIFO | | | FF | PAF | HF | PAE | EF |
|--------------------------------|----------------------------------|----------------------------------|----|-----|----|-----|----|
| 7C4425 - 64 x 18 | 7C4205 - 256 x 18 | 7C4215 - 512 x 18 | | | | | |
| 0 | 0 | 0 | H | H | H | L | L |
| 1 to $n^{[37]}$ | 1 to $n^{[37]}$ | 1 to $n^{[37]}$ | H | H | H | L | H |
| (n+1) to 32 | (n+1) to 128 | (n+1) to 256 | H | H | H | H | H |
| 33 to (64 - (m+1)) | 129 to (256 - (m+1)) | 257 to (512 - (m+1)) | H | H | L | H | H |
| (64 - m) ^[38] to 63 | (256 - m) ^[38] to 255 | (512 - m) ^[38] to 511 | H | L | L | H | H |
| 64 | 256 | 512 | L | L | L | H | H |

| Number of Words in FIFO | | | FF | PAF | HF | PAE | EF |
|------------------------------------|------------------------------------|------------------------------------|----|-----|----|-----|----|
| 7C4225 - 1K x 18 | 7C4235 - 2K x 18 | 7C4245 - 4K x 18 | | | | | |
| 0 | 0 | 0 | H | H | H | L | L |
| 1 to $n^{[37]}$ | 1 to $n^{[37]}$ | 1 to $n^{[37]}$ | H | H | H | L | H |
| (n+1) to 512 | (n+1) to 1024 | (n+1) to 2048 | H | H | H | H | H |
| 513 to (1024 - (m+1)) | 1025 to (2048 - (m+1)) | 2049 to (4096 - (m+1)) | H | H | L | H | H |
| (1024 - m) ^[38] to 1023 | (2048 - m) ^[38] to 2047 | (4096 - m) ^[38] to 4095 | H | L | L | H | H |
| 1024 | 2048 | 4096 | L | L | L | H | H |

Notes:

- 37. n = Empty Offset (Default Values: CY7C4425 n = 7, CY7C4205 n = 31, CY7C4215 n = 63, CY7C4225/7C4235/7C4245 n = 127).
- 38. m = Full Offset (Default Values: CY7C4425 n = 7, CY7C4205 n = 31, CY7C4215 n = 63, CY7C4225/7C4235/7C4245 n = 127).

Width Expansion Configuration

The CY7C42X5 can be expanded in width to provide word widths greater than 18 in increments of 18. During width expansion mode all control line inputs are common and all flags

are available. Empty (Full) flags should be created by ANDing the Empty (Full) flags of every FIFO. This technique will avoid ready data from the FIFO that is "staggered" by one clock cycle due to the variations in skew between RCLK and WCLK. Figure 1 demonstrates a 36-word width by using two CY7C42X5.

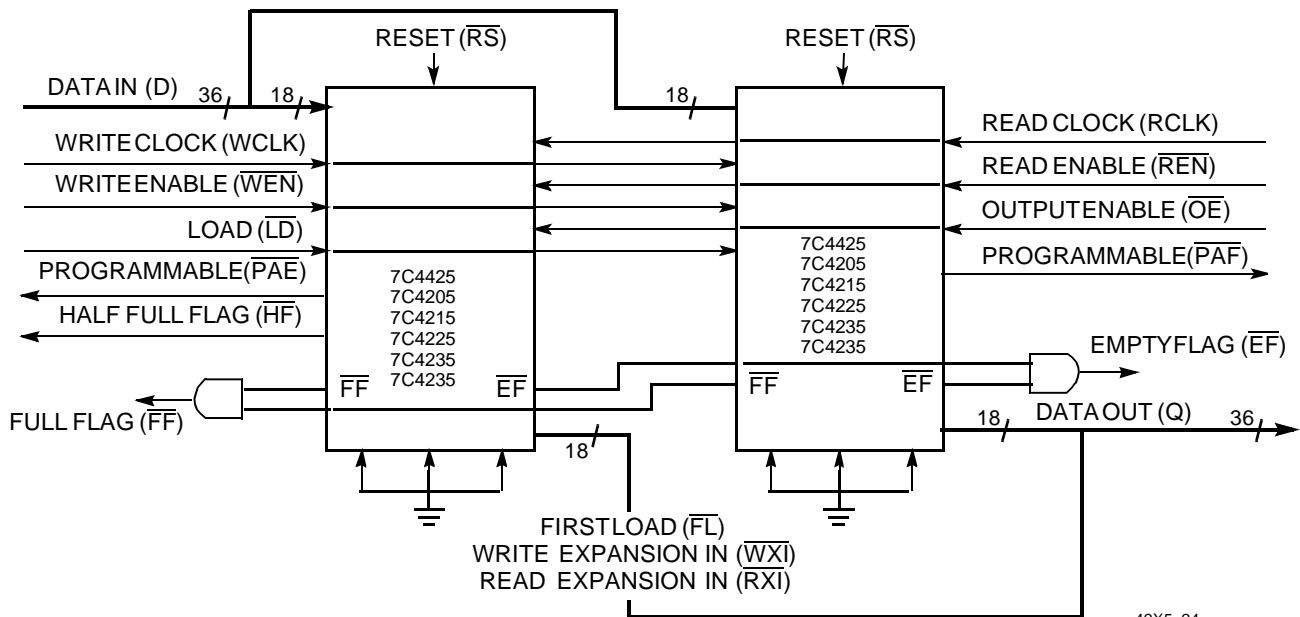


Figure 1. Block Diagram of 64x36/256 x 36/512 x 36/1024 x 36/2048 x 36/4096 x 36 Synchronous FIFO Memory Used in a Width Expansion Configuration

Depth Expansion Configuration (with Programmable Flags)

The CY7C42X5 can easily be adapted to applications requiring more than 64/256/512/1024/2048/4096 words of buffering. Figure 2 shows Depth Expansion using three CY7C42X5s. Maximum depth is limited only by signal loading. Follow these steps:

1. The first device must be designated by grounding the First Load (\overline{FL}) control input.
2. All other devices must have \overline{FL} in the HIGH state.

3. The Write Expansion Out (\overline{WXO}) pin of each device must be tied to the Write Expansion In (\overline{WXI}) pin of the next device.
4. The Read Expansion Out (\overline{RXO}) pin of each device must be tied to the Read Expansion In (\overline{RXI}) pin of the next device.
5. All Load (\overline{LD}) pins are tied together.
6. The Half-Full Flag (\overline{HF}) is not available in the Depth Expansion Configuration.
7. \overline{EF} , \overline{FF} , \overline{PAE} , and \overline{PAF} are created with composite flags by ORing together these respective flags for monitoring. The composite \overline{PAE} and \overline{PAF} flags are not precise.

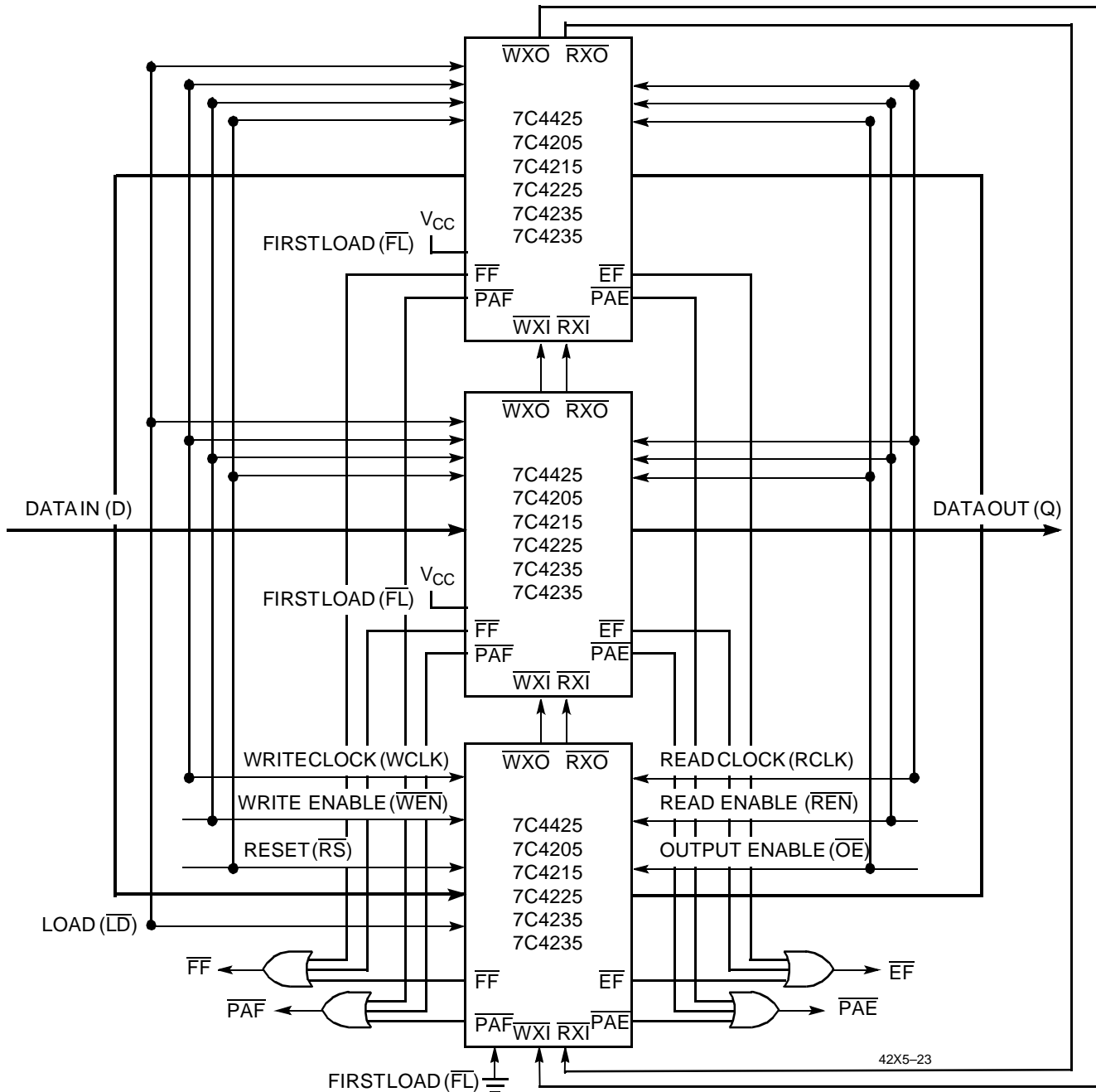
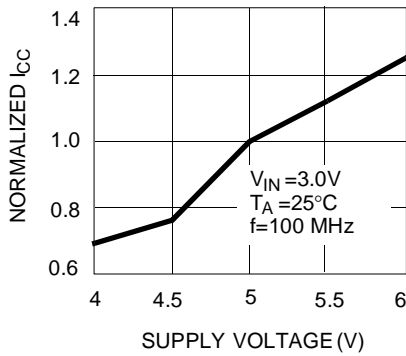


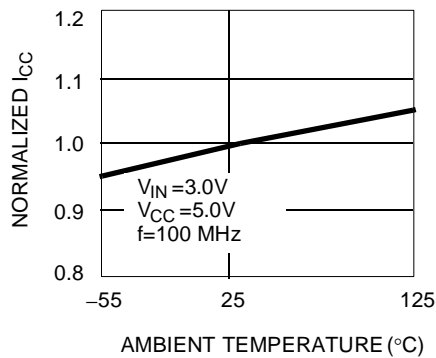
Figure 2. Block Diagram of 192 x 18/768 x 18/1536 x 18/3072 x 18/12288 x 18 Synchronous FIFO Memory with Programmable Flags used in Depth Expansion Configuration

Typical AC and DC Characteristics

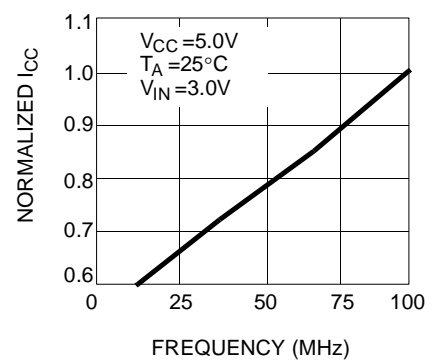
NORMALIZED SUPPLY CURRENT vs. SUPPLY VOLTAGE



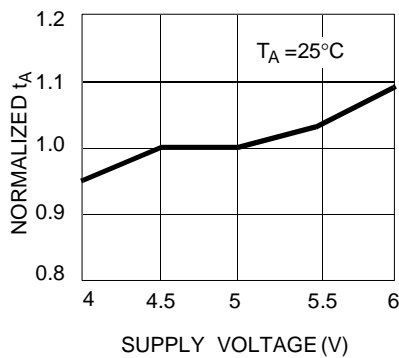
NORMALIZED SUPPLY CURRENT vs. AMBIENT TEMPERATURE



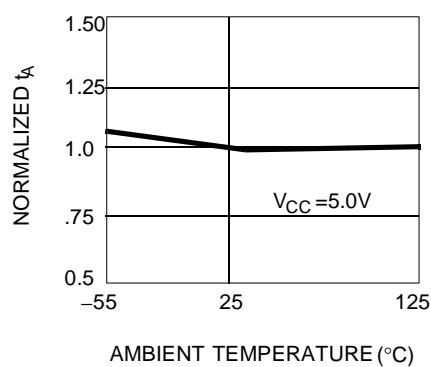
NORMALIZED SUPPLY CURRENT vs. FREQUENCY



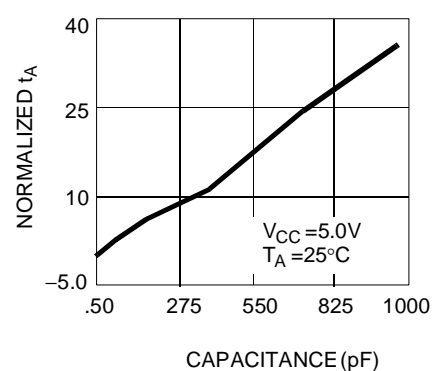
NORMALIZED t_A vs. SUPPLY VOLTAGE



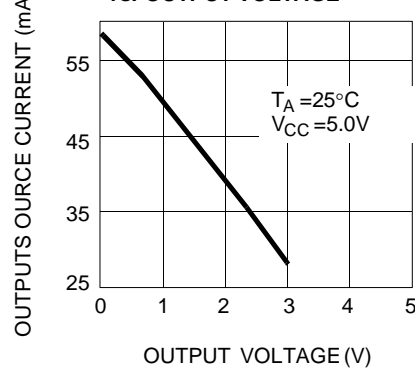
NORMALIZED t_A vs. AMBIENT TEMPERATURE



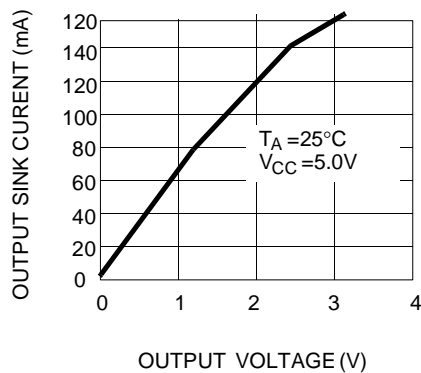
TYPICAL t_A CHANGE vs. OUTPUT LOADING



OUTPUT SOURCE CURRENT vs. OUTPUT VOLTAGE



OUTPUT SINK CURRENT vs. OUTPUT VOLTAGE



Ordering Information
64 x 18 Synchronous FIFO

| Speed (ns) | Ordering Code | Package Name | Package Type | Operating Range |
|------------|----------------|--------------|-------------------------------------|-----------------|
| 10 | CY7C4425-10AC | A65 | 64-Lead 14x14 Thin Quad Flatpack | Commercial |
| | CY7C4425-10ASC | A64 | 64-Lead 10x10 Thin Quad Flatpack | |
| | CY7C4425-10JC | J81 | 68-Lead Plastic Leaded Chip Carrier | |
| | CY7C4425-10AI | A65 | 64-Lead 14x14 Thin Quad Flatpack | Industrial |
| | CY7C4425-10ASI | A64 | 64-Lead 10x10 Thin Quad Flatpack | |
| | CY7C4425-10JI | J81 | 68-Lead Plastic Leaded Chip Carrier | |
| 15 | CY7C4425-15AC | A65 | 64-Lead 14x14 Thin Quad Flatpack | Commercial |
| | CY7C4425-15ASC | A64 | 64-Lead 10x10 Thin Quad Flatpack | |
| | CY7C4425-15JC | J81 | 68-Lead Plastic Leaded Chip Carrier | |
| | CY7C4425-15AI | A65 | 64-Lead 14x14 Thin Quad Flatpack | Industrial |
| | CY7C4425-15ASI | A64 | 64-Lead 10x10 Thin Quad Flatpack | |
| | CY7C4425-15JI | J81 | 68-Lead Plastic Leaded Chip Carrier | |
| 25 | CY7C4425-25AC | A65 | 64-Lead 14x14 Thin Quad Flatpack | Commercial |
| | CY7C4425-25ASC | A64 | 64-Lead 10x10 Thin Quad Flatpack | |
| | CY7C4425-25JC | J81 | 68-Lead Plastic Leaded Chip Carrier | |
| | CY7C4425-25AI | A65 | 64-Lead 14x14 Thin Quad Flatpack | Industrial |
| | CY7C4425-25ASI | A64 | 64-Lead 10x10 Thin Quad Flatpack | |
| | CY7C4425-25JI | J81 | 68-Lead Plastic Leaded Chip Carrier | |
| 35 | CY7C4425-35AC | A65 | 64-Lead 14x14 Thin Quad Flatpack | Commercial |
| | CY7C4425-35ASC | A64 | 64-Lead 10x10 Thin Quad Flatpack | |
| | CY7C4425-35JC | J81 | 68-Lead Plastic Leaded Chip Carrier | |
| | CY7C4425-35AI | A65 | 64-Lead 14x14 Thin Quad Flatpack | Industrial |
| | CY7C4425-35ASI | A64 | 64-Lead 10x10 Thin Quad Flatpack | |
| | CY7C4425-35JI | J81 | 68-Lead Plastic Leaded Chip Carrier | |

256 x 18 Synchronous FIFO

| Speed (ns) | Ordering Code | Package Name | Package Type | Operating Range |
|------------|----------------|--------------|-------------------------------------|-----------------|
| 10 | CY7C4205-10AC | A65 | 64-Lead 14x14 Thin Quad Flatpack | Commercial |
| | CY7C4205-10ASC | A64 | 64-Lead 10x10 Thin Quad Flatpack | |
| | CY7C4205-10JC | J81 | 68-Lead Plastic Leaded Chip Carrier | |
| | CY7C4205-10AI | A65 | 64-Lead 14x14 Thin Quad Flatpack | Industrial |
| | CY7C4205-10ASI | A64 | 64-Lead 10x10 Thin Quad Flatpack | |
| | CY7C4205-10JI | J81 | 68-Lead Plastic Leaded Chip Carrier | |
| 15 | CY7C4205-15AC | A65 | 64-Lead 14x14 Thin Quad Flatpack | Commercial |
| | CY7C4205-15ASC | A64 | 64-Lead 10x10 Thin Quad Flatpack | |
| | CY7C4205-15JC | J81 | 68-Lead Plastic Leaded Chip Carrier | |
| | CY7C4205-15AI | A65 | 64-Lead 14x14 Thin Quad Flatpack | Industrial |
| | CY7C4205-15ASI | A64 | 64-Lead 10x10 Thin Quad Flatpack | |
| | CY7C4205-15JI | J81 | 68-Lead Plastic Leaded Chip Carrier | |
| 25 | CY7C4205-25AC | A65 | 64-Lead 14x14 Thin Quad Flatpack | Commercial |
| | CY7C4205-25ASC | A64 | 64-Lead 10x10 Thin Quad Flatpack | |
| | CY7C4205-25JC | J81 | 68-Lead Plastic Leaded Chip Carrier | |
| | CY7C4205-25AI | A65 | 64-Lead 14x14 Thin Quad Flatpack | Industrial |
| | CY7C4205-25ASI | A64 | 64-Lead 10x10 Thin Quad Flatpack | |
| | CY7C4205-25JI | J81 | 68-Lead Plastic Leaded Chip Carrier | |
| 35 | CY7C4205-35AC | A65 | 64-Lead 14x14 Thin Quad Flatpack | Commercial |
| | CY7C4205-35ASC | A64 | 64-Lead 10x10 Thin Quad Flatpack | |
| | CY7C4205-35JC | J81 | 68-Lead Plastic Leaded Chip Carrier | |
| | CY7C4205-35AI | A65 | 64-Lead 14x14 Thin Quad Flatpack | Industrial |
| | CY7C4205-35ASI | A64 | 64-Lead 10x10 Thin Quad Flatpack | |
| | CY7C4205-35JI | J81 | 68-Lead Plastic Leaded Chip Carrier | |

512 x 18 Synchronous FIFO

| Speed (ns) | Ordering Code | Package Name | Package Type | Operating Range |
|------------|----------------|--------------|-------------------------------------|-----------------|
| 10 | CY7C4215-10AC | A65 | 64-Lead 14x14 Thin Quad Flatpack | Commercial |
| | CY7C4215-10ASC | A64 | 64-Lead 10x10 Thin Quad Flatpack | |
| | CY7C4215-10JC | J81 | 68-Lead Plastic Leaded Chip Carrier | |
| | CY7C4215-10AI | A65 | 64-Lead 14x14 Thin Quad Flatpack | Industrial |
| | CY7C4215-10ASI | A64 | 64-Lead 10x10 Thin Quad Flatpack | |
| | CY7C4215-10JI | J81 | 68-Lead Plastic Leaded Chip Carrier | |
| 15 | CY7C4215-15AC | A65 | 64-Lead 14x14 Thin Quad Flatpack | Commercial |
| | CY7C4215-15ASC | A64 | 64-Lead 10x10 Thin Quad Flatpack | |
| | CY7C4215-15JC | J81 | 68-Lead Plastic Leaded Chip Carrier | |
| | CY7C4215-15AI | A65 | 64-Lead 14x14 Thin Quad Flatpack | Industrial |
| | CY7C4215-15ASI | A64 | 64-Lead 10x10 Thin Quad Flatpack | |
| | CY7C4215-15JI | J81 | 68-Lead Plastic Leaded Chip Carrier | |
| 25 | CY7C4215-25AC | A65 | 64-Lead 14x14 Thin Quad Flatpack | Commercial |
| | CY7C4215-25ASC | A64 | 64-Lead 10x10 Thin Quad Flatpack | |
| | CY7C4215-25JC | J81 | 68-Lead Plastic Leaded Chip Carrier | |
| | CY7C4215-25AI | A65 | 64-Lead 14x14 Thin Quad Flatpack | Industrial |
| | CY7C4215-25ASI | A64 | 64-Lead 10x10 Thin Quad Flatpack | |
| | CY7C4215-25JI | J81 | 68-Lead Plastic Leaded Chip Carrier | |
| 35 | CY7C4215-35AC | A65 | 64-Lead 14x14 Thin Quad Flatpack | Commercial |
| | CY7C4215-35ASC | A64 | 64-Lead 10x10 Thin Quad Flatpack | |
| | CY7C4215-35JC | J81 | 68-Lead Plastic Leaded Chip Carrier | |
| | CY7C4215-35AI | A65 | 64-Lead 14x14 Thin Quad Flatpack | Industrial |
| | CY7C4215-35ASI | A64 | 64-Lead 10x10 Thin Quad Flatpack | |
| | CY7C4215-35JI | J81 | 68-Lead Plastic Leaded Chip Carrier | |

1K x 18 Synchronous FIFO

| Speed (ns) | Ordering Code | Package Name | Package Type | Operating Range |
|------------|----------------|--------------|-------------------------------------|-----------------|
| 10 | CY7C4225-10AC | A65 | 64-Lead 14x14 Thin Quad Flatpack | Commercial |
| | CY7C4225-10ASC | A64 | 64-Lead 10x10 Thin Quad Flatpack | |
| | CY7C4225-10JC | J81 | 68-Lead Plastic Leaded Chip Carrier | |
| | CY7C4225-10AI | A65 | 64-Lead 14x14 Thin Quad Flatpack | Industrial |
| | CY7C4225-10ASI | A64 | 64-Lead 10x10 Thin Quad Flatpack | |
| | CY7C4225-10JI | J81 | 68-Lead Plastic Leaded Chip Carrier | |
| 15 | CY7C4225-15AC | A65 | 64-Lead 14x14 Thin Quad Flatpack | Commercial |
| | CY7C4225-15ASC | A64 | 64-Lead 10x10 Thin Quad Flatpack | |
| | CY7C4225-15JC | J81 | 68-Lead Plastic Leaded Chip Carrier | |
| | CY7C4225-15AI | A65 | 64-Lead 14x14 Thin Quad Flatpack | Industrial |
| | CY7C4225-15ASI | A64 | 64-Lead 10x10 Thin Quad Flatpack | |
| | CY7C4225-15JI | J81 | 68-Lead Plastic Leaded Chip Carrier | |
| 25 | CY7C4225-25AC | A65 | 64-Lead 14x14 Thin Quad Flatpack | Commercial |
| | CY7C4225-25ASC | A64 | 64-Lead 10x10 Thin Quad Flatpack | |
| | CY7C4225-25JC | J81 | 68-Lead Plastic Leaded Chip Carrier | |
| | CY7C4225-25AI | A65 | 64-Lead 14x14 Thin Quad Flatpack | Industrial |
| | CY7C4225-25ASI | A64 | 64-Lead 10x10 Thin Quad Flatpack | |
| | CY7C4225-25JI | J81 | 68-Lead Plastic Leaded Chip Carrier | |
| 35 | CY7C4225-35AC | A65 | 64-Lead 14x14 Thin Quad Flatpack | Commercial |
| | CY7C4225-35ASC | A64 | 64-Lead 10x10 Thin Quad Flatpack | |
| | CY7C4225-35JC | J81 | 68-Lead Plastic Leaded Chip Carrier | |
| | CY7C4225-35AI | A65 | 64-Lead 14x14 Thin Quad Flatpack | Industrial |
| | CY7C4225-35ASI | A64 | 64-Lead 10x10 Thin Quad Flatpack | |
| | CY7C4225-35JI | J81 | 68-Lead Plastic Leaded Chip Carrier | |

2K x 18 Synchronous FIFO

| Speed (ns) | Ordering Code | Package Name | Package Type | Operating Range |
|------------|----------------|--------------|-------------------------------------|-----------------|
| 10 | CY7C4235-10AC | A65 | 64-Lead 14x14 Thin Quad Flatpack | Commercial |
| | CY7C4235-10ASC | A64 | 64-Lead 10x10 Thin Quad Flatpack | |
| | CY7C4235-10JC | J81 | 68-Lead Plastic Leaded Chip Carrier | |
| | CY7C4235-10AI | A65 | 64-Lead 14x14 Thin Quad Flatpack | Industrial |
| | CY7C4235-10ASI | A64 | 64-Lead 10x10 Thin Quad Flatpack | |
| | CY7C4235-10JI | J81 | 68-Lead Plastic Leaded Chip Carrier | |
| 15 | CY7C4235-15AC | A65 | 64-Lead 14x14 Thin Quad Flatpack | Commercial |
| | CY7C4235-15ASC | A64 | 64-Lead 10x10 Thin Quad Flatpack | |
| | CY7C4235-15JC | J81 | 68-Lead Plastic Leaded Chip Carrier | |
| | CY7C4235-15AI | A65 | 64-Lead 14x14 Thin Quad Flatpack | Industrial |
| | CY7C4235-15ASI | A64 | 64-Lead 10x10 Thin Quad Flatpack | |
| | CY7C4235-15JI | J81 | 68-Lead Plastic Leaded Chip Carrier | |
| 25 | CY7C4235-25AC | A65 | 64-Lead 14x14 Thin Quad Flatpack | Commercial |
| | CY7C4235-25ASC | A64 | 64-Lead 10x10 Thin Quad Flatpack | |
| | CY7C4235-25JC | J81 | 68-Lead Plastic Leaded Chip Carrier | |
| | CY7C4235-25AI | A65 | 64-Lead 14x14 Thin Quad Flatpack | Industrial |
| | CY7C4235-25ASI | A64 | 64-Lead 10x10 Thin Quad Flatpack | |
| | CY7C4235-25JI | J81 | 68-Lead Plastic Leaded Chip Carrier | |
| 35 | CY7C4235-35AC | A65 | 64-Lead 14x14 Thin Quad Flatpack | Commercial |
| | CY7C4235-35ASC | A64 | 64-Lead 10x10 Thin Quad Flatpack | |
| | CY7C4235-35JC | J81 | 68-Lead Plastic Leaded Chip Carrier | |
| | CY7C4235-35AI | A65 | 64-Lead 14x14 Thin Quad Flatpack | Industrial |
| | CY7C4235-35ASI | A64 | 64-Lead 10x10 Thin Quad Flatpack | |
| | CY7C4235-35JI | J81 | 68-Lead Plastic Leaded Chip Carrier | |

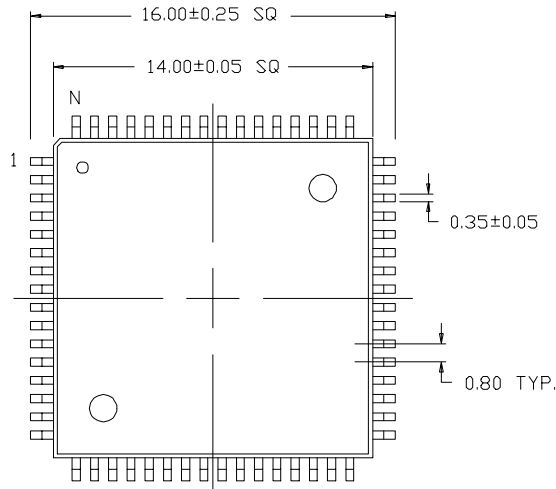
4K x 18 Synchronous FIFO

| Speed (ns) | Ordering Code | Package Name | Package Type | Operating Range |
|------------|----------------|--------------|-------------------------------------|-----------------|
| 10 | CY7C4245-10AC | A65 | 64-Lead 14x14 Thin Quad Flatpack | Commercial |
| | CY7C4245-10ASC | A64 | 64-Lead 10x10 Thin Quad Flatpack | |
| | CY7C4245-10JC | J81 | 68-Lead Plastic Leaded Chip Carrier | |
| | CY7C4245-10AI | A65 | 64-Lead 14x14 Thin Quad Flatpack | Industrial |
| | CY7C4245-10ASI | A64 | 64-Lead 10x10 Thin Quad Flatpack | |
| | CY7C4245-10JI | J81 | 68-Lead Plastic Leaded Chip Carrier | |
| 15 | CY7C4245-15AC | A65 | 64-Lead 14x14 Thin Quad Flatpack | Commercial |
| | CY7C4245-15ASC | A64 | 64-Lead 10x10 Thin Quad Flatpack | |
| | CY7C4245-15JC | J81 | 68-Lead Plastic Leaded Chip Carrier | |
| | CY7C4245-15AI | A65 | 64-Lead 14x14 Thin Quad Flatpack | Industrial |
| | CY7C4245-15ASI | A64 | 64-Lead 10x10 Thin Quad Flatpack | |
| | CY7C4245-15JI | J81 | 68-Lead Plastic Leaded Chip Carrier | |
| 25 | CY7C4245-25AC | A65 | 64-Lead 14x14 Thin Quad Flatpack | Commercial |
| | CY7C4245-25ASC | A64 | 64-Lead 10x10 Thin Quad Flatpack | |
| | CY7C4245-25JC | J81 | 68-Lead Plastic Leaded Chip Carrier | |
| | CY7C4245-25AI | A65 | 64-Lead 14x14 Thin Quad Flatpack | Industrial |
| | CY7C4245-25ASI | A64 | 64-Lead 10x10 Thin Quad Flatpack | |
| | CY7C4245-25JI | J81 | 68-Lead Plastic Leaded Chip Carrier | |
| 35 | CY7C4245-35AC | A65 | 64-Lead 14x14 Thin Quad Flatpack | Commercial |
| | CY7C4245-35ASC | A64 | 64-Lead 10x10 Thin Quad Flatpack | |
| | CY7C4245-35JC | J81 | 68-Lead Plastic Leaded Chip Carrier | |
| | CY7C4245-35AI | A65 | 64-Lead 14x14 Thin Quad Flatpack | Industrial |
| | CY7C4245-35ASI | A64 | 64-Lead 10x10 Thin Quad Flatpack | |
| | CY7C4245-35JI | J81 | 68-Lead Plastic Leaded Chip Carrier | |

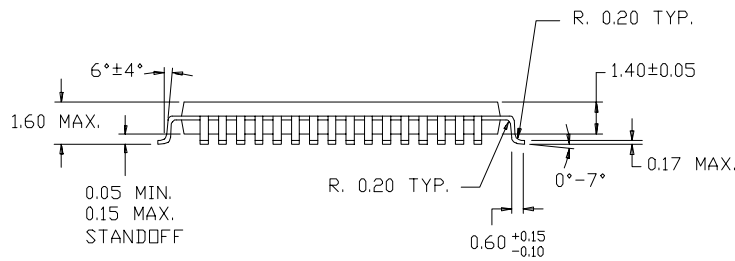
Document #: 38-00540

Package Diagrams

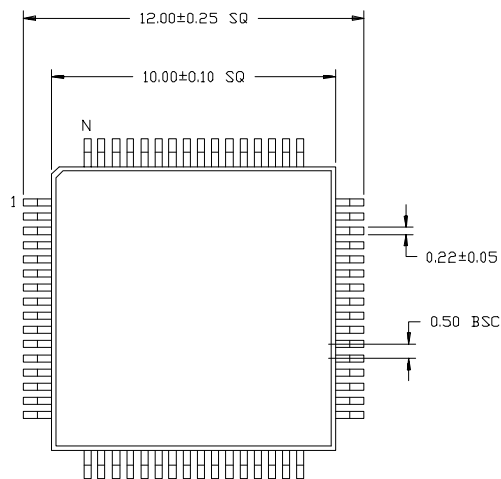
64-Lead Thin Plastic Quad Flat Pack A65



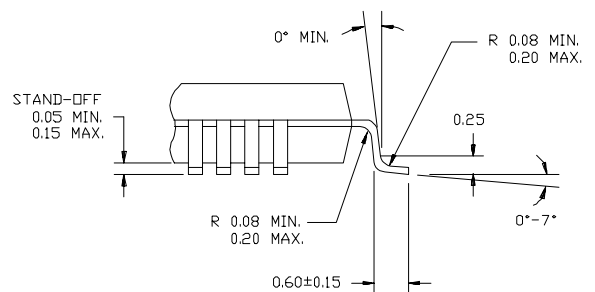
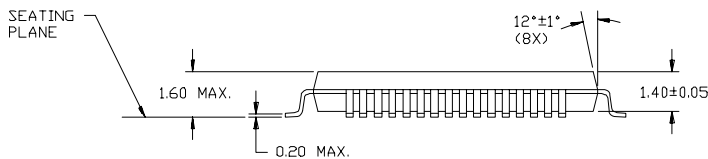
DIMENSIONS IN MILLIMETERS
 LEAD COPLANARITY 0.100 MAX.



64-Pin Thin Quad Flat Pack A64



DIMENSIONS IN MILLIMETERS
 LEAD COPLANARITY 0.080 MAX.



Package Diagrams (continued)

68-Lead Plastic Leaded Chip Carrier J81

