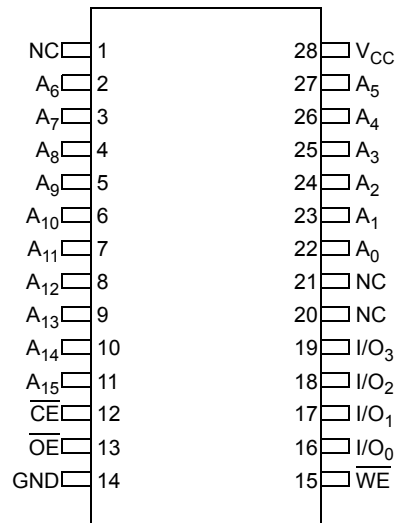
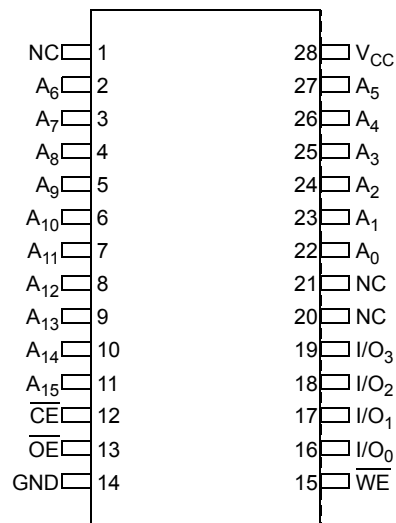
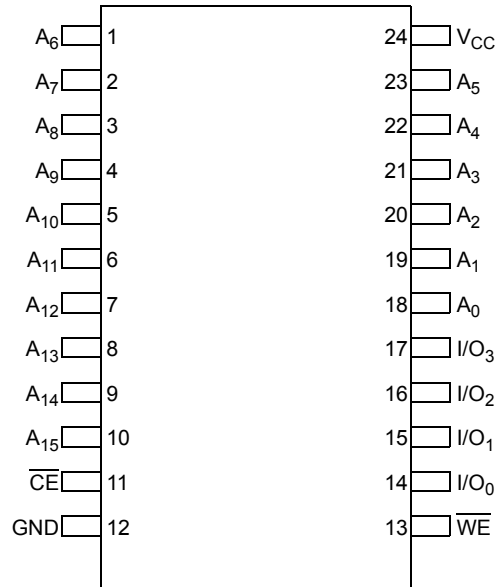
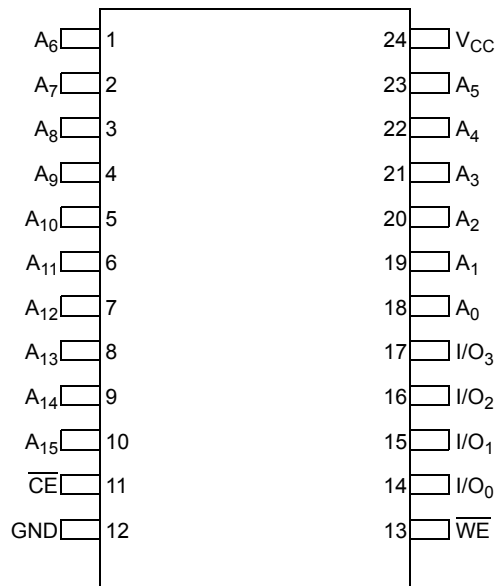


Pin Layout and Specifications
CY7C195B 28 DIP (6.9 × 35.6 × 3.5 mm) – P21

CY7C195B 28 SOJ (8 × 18 × 3.5 mm) – V21


Pin Layout and Specifications (continued)

CY7C194B 24 SOJ (8 × 15 × 3.5 mm) – V13

CY7C194B 24 DIP (6.6 × 31.8 × 3.5 mm) – P13


Pin Description

Pin	Type	Description	28 DIP	24 DIP	24 SOJ	28 SOJ
A _x	Input	Address Inputs.	2, 3, 4, 5, 6, 7, 8, 9, 10, 11, 22, 23, 24, 25, 26, 27	1, 2, 3, 4, 5, 6, 7, 8, 9, 10, 18, 19, 20, 21, 22, 23	1, 2, 3, 4, 5, 6, 7, 8, 9, 10, 18, 19, 20, 21, 22, 23	2, 3, 4, 5, 6, 7, 8, 9, 10, 11, 22, 23, 24, 25, 26, 27
CE	Control	Chip Enable.	12	11	11	12
I/O _x	Input or Output	Data Input/Outputs.	16, 17, 18, 19	14, 15, 16, 17	14, 15, 16, 17	16, 17, 18, 19
NC	–	No Connect. Pins are not internally connected to the die.	1, 20, 21	–	–	1, 20, 21
OE	Control	Output Enable (CY7C195 only).	13	–	–	13
V _{CC}	Supply	Power (5.0V).	28	24	24	28
WE	Control	Write Enable.	15	13	13	15

CY7C195B Truth Table

\overline{CE}	\overline{OE}	\overline{WE}	I/O _x	Mode	Power
H	X	X	High Z	Deselect / Power-Down	Standby (I_{SB})
L	L	H	Data Out	Read	Active (I_{CC})
L	X	L	Data In	Write	Active (I_{CC})
L	H	H	High Z	Selected, outputs disabled	Active (I_{CC})

CY7C194B Truth Table

\overline{CE}	\overline{WE}	Input/Output	Mode	Power
H	X	High Z	Power-Down	Standby (I_{SB})
L	H	Data Out	Read	Active (I_{CC})
L	L	Data In	Write	Active (I_{CC})

Maximum Ratings (Above which the useful life may be impaired. For user guidelines, not tested.)

Parameter	Description	Value	Unit
T _{STG}	Storage Temperature	-65 to +150	°C
T _{AMB}	Ambient Temperature with Power Applied (i.e. case temperature)	-55 to +125	°C
V _{CC}	Core Supply Voltage Relative to V _{SS}	-0.5 to +7.0	V
V _{CC}	DC Voltage Applied to any Pin Relative to V _{SS}	-0.5 to V _{CC} + null	V
I _{OUT}	Output Short-Circuit Current	20	mA
V _{ESD}	Static Discharge Voltage (per MIL-STD-883, Method 3015)	> 2001	V
I _{LU}	Latch-up Current	> 200	mA

Operating Range

Range	Ambient Temperature (T _A)	Voltage Range (V _{CC})
Commercial	0°C to 70°C	5.0V ± 10%

DC Electrical Characteristics³

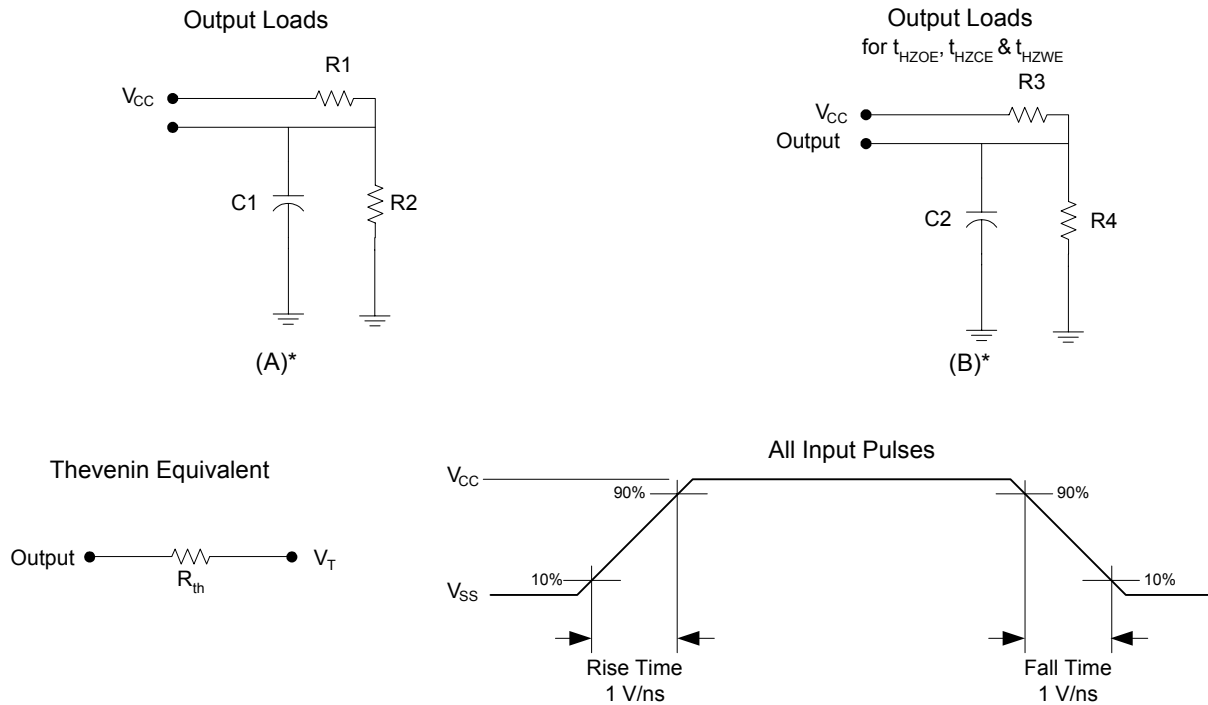
Parameter	Description	Condition	12 ns		15 ns		25 ns		Unit
			Min	Max	Min	Max	Min	Max	
V _{IH}	Input HIGH Voltage		2.2	V _{CC} + 0.3	2.2	V _{CC} + 0.3	2.2	V _{CC} + 0.3	V
V _{IL}	Input LOW Voltage		-0.3	0.8	-0.3	0.8	-0.5	0.8	V
V _{OH}	Output HIGH Voltage	V _{CC} = Min., I _{oh} = -4.0 ma	2.4	-	2.4	-	2.4	-	V
V _{OL}	Output LOW Voltage	V _{CC} = Min., I _{ol} = 8.0 ma	-	0.4	-	0.4	-	0.4	V
I _{CC}	V _{CC} Operating Supply Current	V _{CC} = Max., I _{OUT} = 0 mA, f = F _{MAX} = 1 / t _{RC}	-	90	-	80	-	80	mA
I _{SB1}	Automatic CE Power-down Current TTL Inputs	V _{CC} = Max., CE ≥ V _{IH} , V _{IN} ≥ V _{IH} or V _{IN} ≤ V _{IL} , f = F _{MAX}	-	30	-	30	-	30	mA
I _{SB2}	Automatic CE Power-down Current CMOS Inputs	V _{CC} = Max., CE ≥ V _{CC} - 0.3v, V _{IN} > V _{CC} - 0.3v or V _{IN} ≤ 0.3, f = 0 Commercial	-	10	-	10	-	10	mA
I _{OZ}	Output Leakage Current	GND ≤ V _i ≤ V _{CC} , Output Disabled	-5	+5	-5	+5	-5	+5	uA
I _{IX}	Input Load Current	GND ≤ V _i ≤ V _{CC}	-5	+5	-5	+5	-5	+5	uA

Capacitance⁴

Parameter	Description	Conditions	Max		Unit
			ALL - PACKAGES		
C _{IN}	Input Capacitance	T _A = 25C, f = 1 MHz, V _{CC} = 5.0V	7		pF
C _{OUT}	Output Capacitance		10		

Notes:

- V_{IL} (min) = -2.0V for pulse durations of less than 20 ns.
- Tested initially and after any design or process change that may affect these parameters.

AC Test Loads


* including scope and jig capacitance

AC Test Conditions

Parameter	Description	Nom.	Unit
C1	Capacitor 1	30	pF
C2	Capacitor 2	5	
R1	Resistor 1	480	Ω
R2	Resistor 2	255	
R3	Resistor 3	480	
R4	Resistor 4	255	
R _{TH}	Resistor Thevenin	167	
V _{TH}	Voltage Thevenin	1.73	V

Thermal Resistance⁵

Parameter	Description	Conditions	28 SOJ	24 SOJ	28 DIP	24 DIP	Unit
θ _{JA}	Thermal Resistance (Junction to Ambient)	Still Air, soldered on a 3 x 4.5 square inches, two-layer printed circuit board	69	TBD	TBD	TBD	°C/W
θ _{IC}	Thermal Resistance (Junction to Case)		29.84	TBD	TBD	TBD	

Notes:

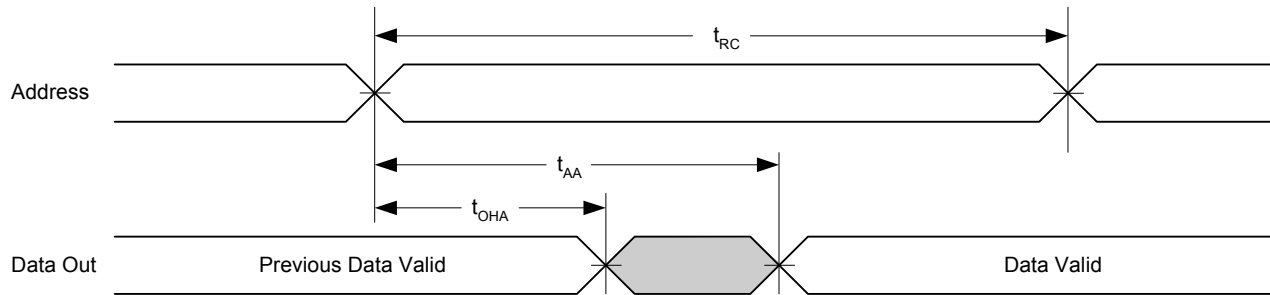
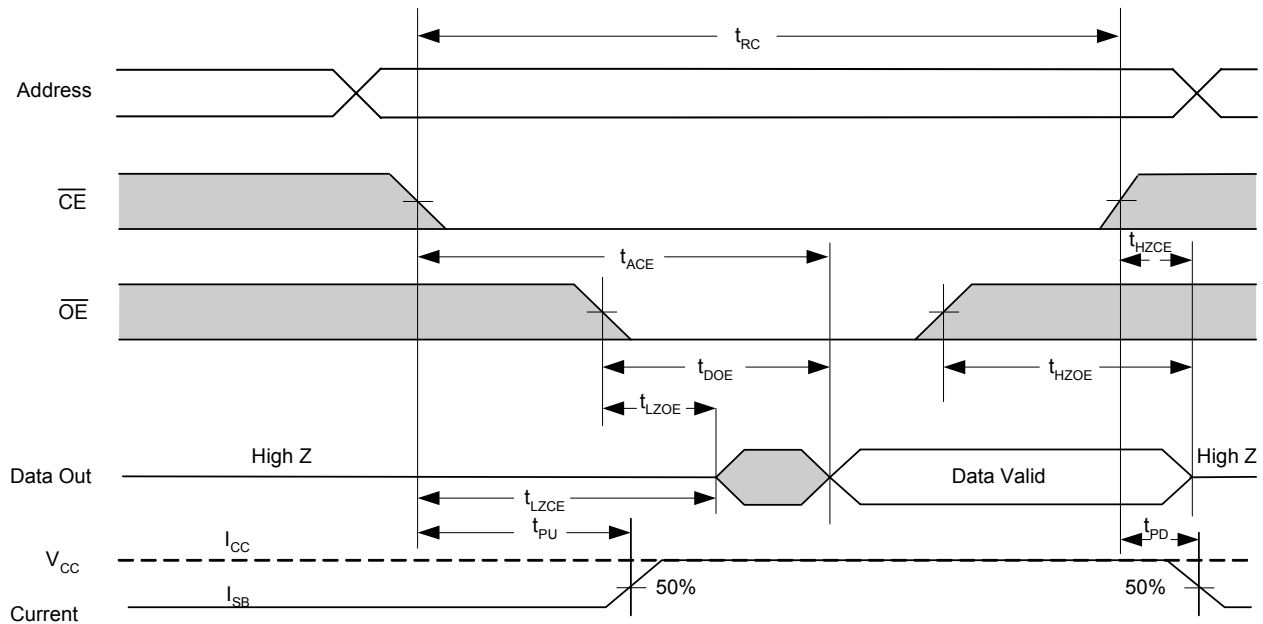
5. Test Conditions assume a transition time of 3ns or less, timing reference levels of 1.5V, input pulse levels of 0 to 3.0V

AC Electrical Characteristics^{2 6 7 8}

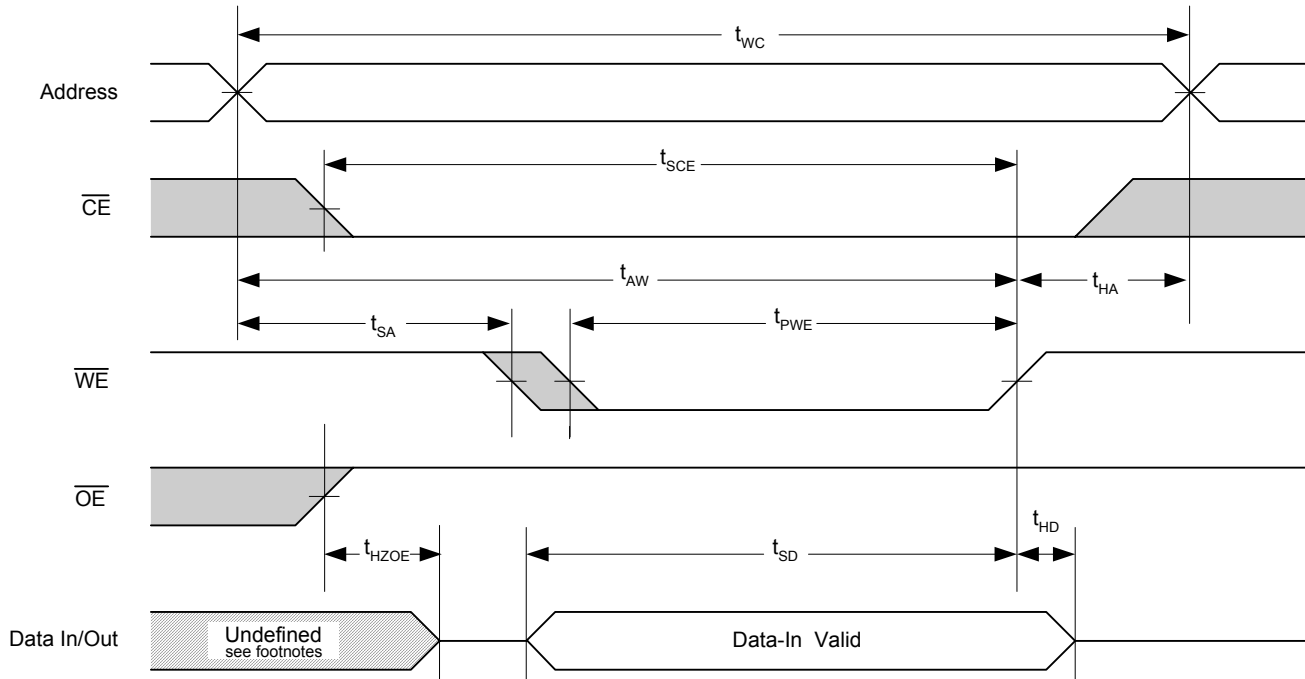
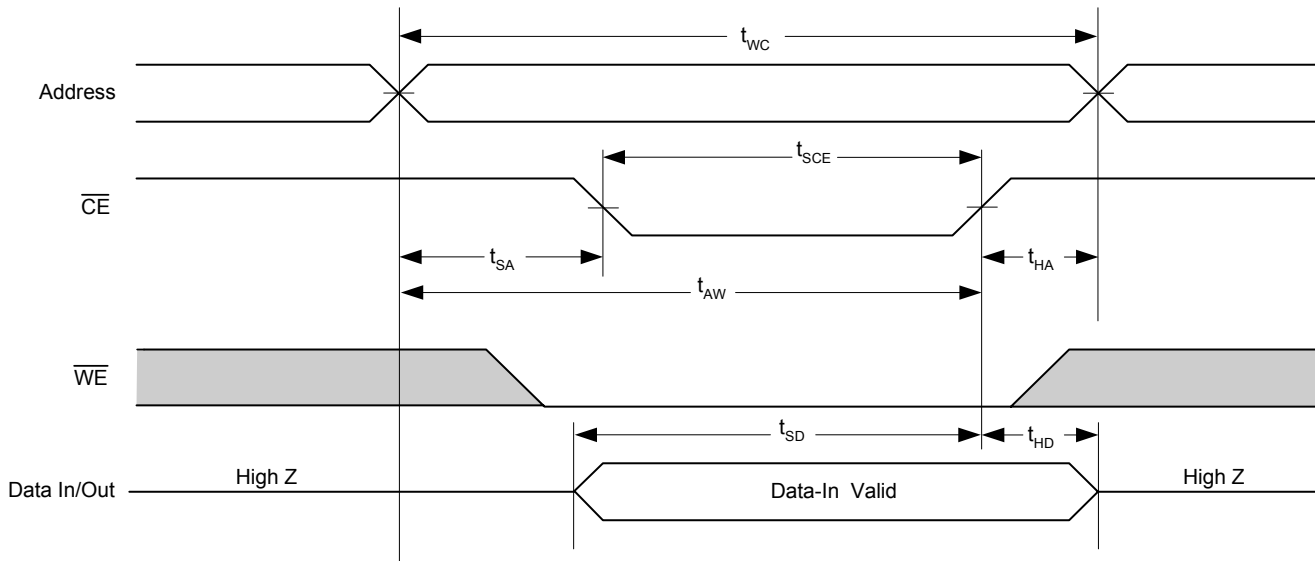
Parameter	Description	12 ns		15 ns		25 ns		Unit
		Min	Max	Min	Max	Min	Max	
t_{RC}	Read Cycle Time	12	–	15	–	25	–	ns
t_{AA}	Address to Data Valid	–	12	–	15	–	25	ns
t_{OHA}	Data Hold from Address Change	3	–	3	–	3	–	ns
t_{ACE}	CE to Data Valid	–	12	–	15	–	25	ns
t_{DOE}	OE to Data Valid	–	6	–	7	–	10	ns
t_{LZOE}	OE to Low Z	0	–	0	–	0	–	ns
t_{HZOE}	OE to High Z	–	5	–	7	–	10	ns
t_{LZCE}	CE to Low Z	3	–	3	–	3	–	ns
t_{HZCE}	CE to High Z	–	5	–	7	–	10	ns
t_{PU}	CE to Power-up	0	–	0	–	0	–	ns
t_{PD}	CE to Power-down	–	12	–	15	–	25	ns
t_{WC}	Write Cycle Time	12	–	15	–	25	–	ns
t_{SCE}	CE to Write End	9	–	10	–	18	–	ns
t_{AW}	Address Set-up to Write End	9	–	10	–	20	–	ns
t_{HA}	Address Hold from Write End	0	–	0	–	0	–	ns
t_{SA}	Address Set-up to Write Start	0	–	0	–	0	–	ns
t_{PWE}	WE Pulse Width	8	–	9	–	18	–	ns
t_{SD}	Data Set-Up to Write End	7	–	8	–	10	–	ns
t_{HD}	Data Hold from Write End	0	–	0	–	0	–	ns
t_{HZWE}	WE LOW to High Z	–	6	–	7	–	10	ns
t_{LZWE}	WE HIGH to Low Z	3	–	3	–	3	–	ns

Notes:

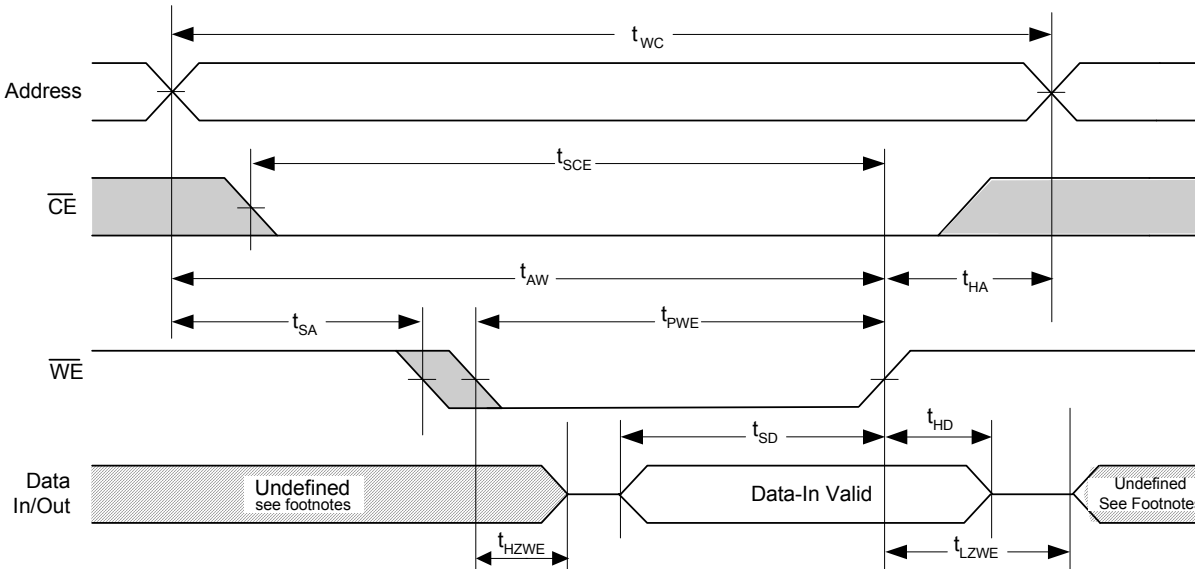
6. At any given temperature and voltage condition, t_{HZCE} is less than t_{LZCE} , t_{HZOE} is less than t_{LZOE} , and t_{HZWE} is less than t_{LZWE} for any given device.
7. The internal write time of the memory is defined by the overlap of CE LOW and WE LOW. CE and WE must be LOW to initiate a write, and the transition of any of these signals can terminate the write. The input data set-up and hold timing should be referenced to the leading edge of the signal that terminates the write.
8. t_{HZOE} , t_{HZCE} , t_{HZWE} are specified as in part (b) of the A/C Test Loads. Transitions are measured ± 200 mV from steady state voltage

Timing Waveforms
Read Cycle No. 1 ^{9 10}

Read Cycle No. 2 ^{2 11 12}

Notes:

9. Device is continuously selected. $\overline{OE} = V_{IL} = \overline{CE}$.
10. \overline{WE} is HIGH for Read Cycle.
11. This cycle is \overline{OE} Controlled and \overline{WE} is HIGH read cycle.
12. Address valid prior to or coincident with \overline{CE} transition LOW.

Write Cycle No. 1 (\overline{WE} Controlled) 2 13 14 15

Write Cycle No. 2 (\overline{CE} Controlled) 16 17 18

Notes:

13. This cycle is \overline{WE} controlled, \overline{OE} is HIGH during write.
14. Data In/Out is high impedance if $\overline{OE} = V_{IH}$.
15. During this period the I/Os are in output state and input signals should not be applied.
16. This cycle is \overline{CE} controlled.
17. Data In/Out is high impedance if $\overline{OE} = V_{IH}$.
18. If \overline{CE} goes HIGH simultaneously with \overline{WE} going HIGH, the output remains in a high-impedance state.

Write Cycle No. 3 (\overline{WE} Controlled, \overline{OE} Low) ^{2 19}

Ordering Information

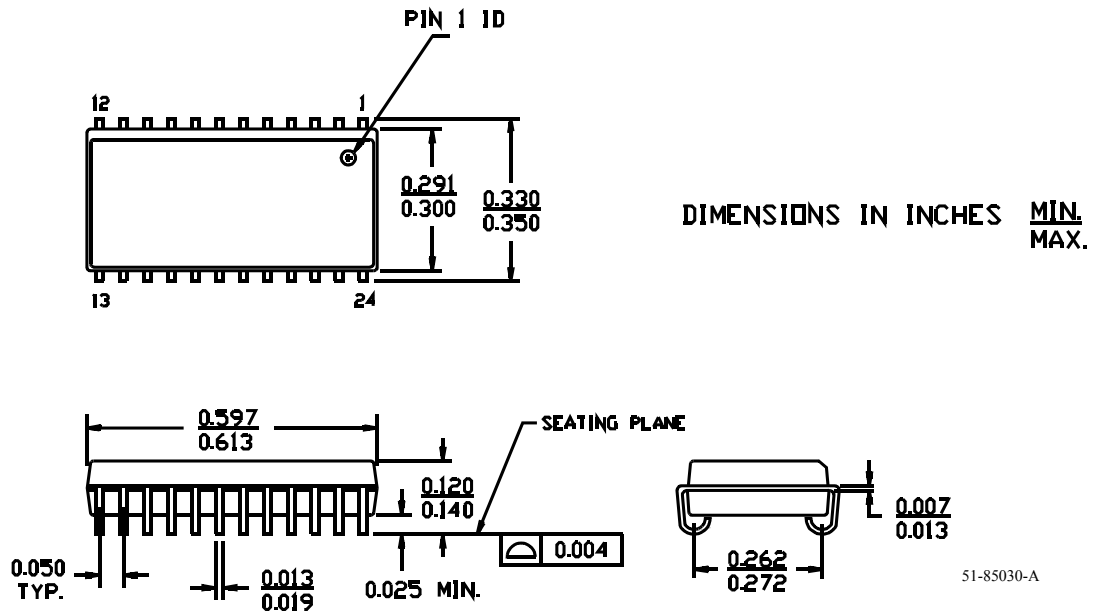
Speed	Ordering Code	Package Name	Package Type	Power Option	Operating Range
12 ns	CY7C195B-12VC	V21	28 SOJ (8 x 18 x 3.5 mm)	Standard	Commercial
15 ns	CY7C194B-15PC	P13	24 DIP (6.6 x 31.8 x 3.5 mm)	Standard	Commercial
15 ns	CY7C194B-15VC	V13	24 SOJ (8 x 15 x 3.5 mm)	Standard	Commercial
15 ns	CY7C195B-15VC	V21	28 SOJ (8 x 18 x 3.5 mm)	Standard	Commercial
25 ns	CY7C194B-25VC	V13	24 SOJ (8 x 15 x 3.5 mm)	Standard	Commercial
25 ns	CY7C195B-25PC	P21	28 DIP (6.9 x 35.6 x 3.5 mm)	Standard	Commercial

Notes:

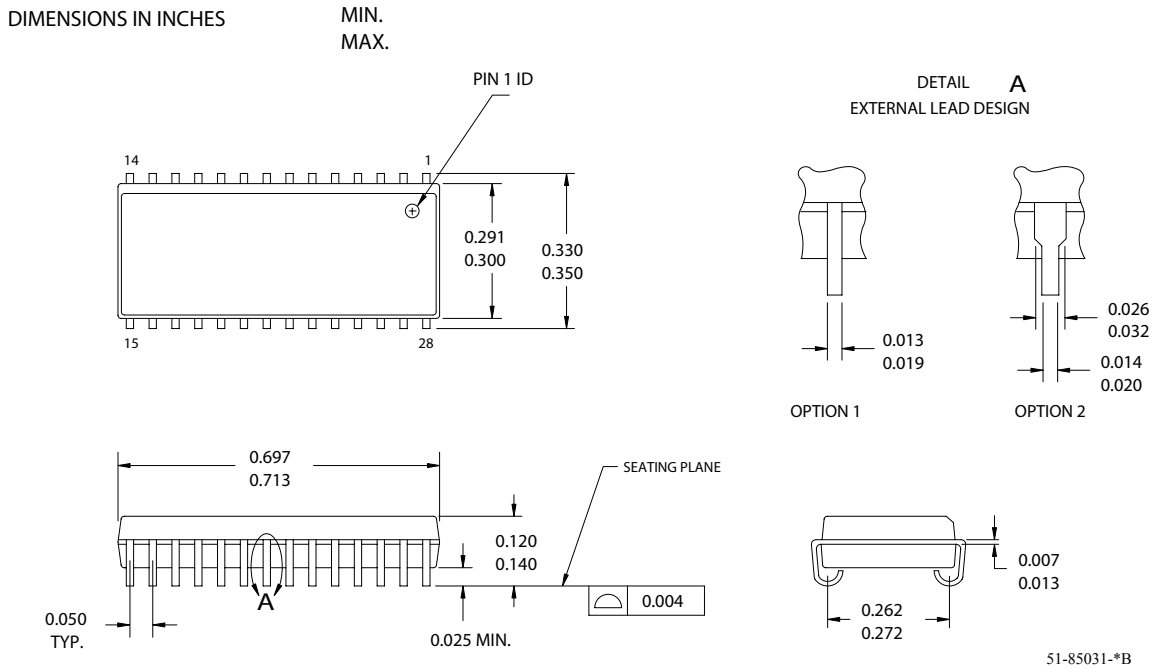
19. The cycle is \overline{WE} controlled, \overline{OE} low. The minimum write cycle time is the sum of t_{HZWE} and t_{SD} .

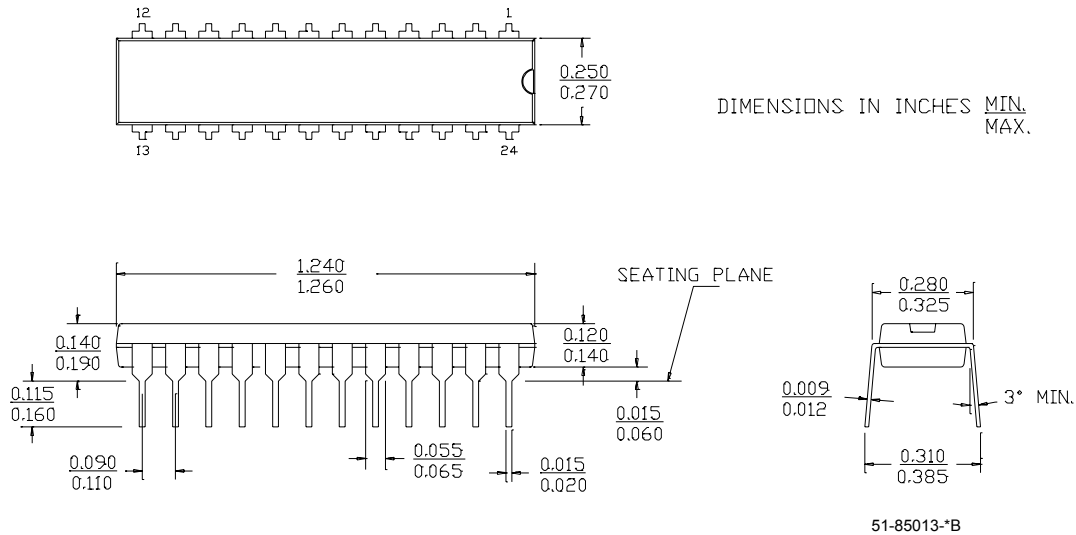
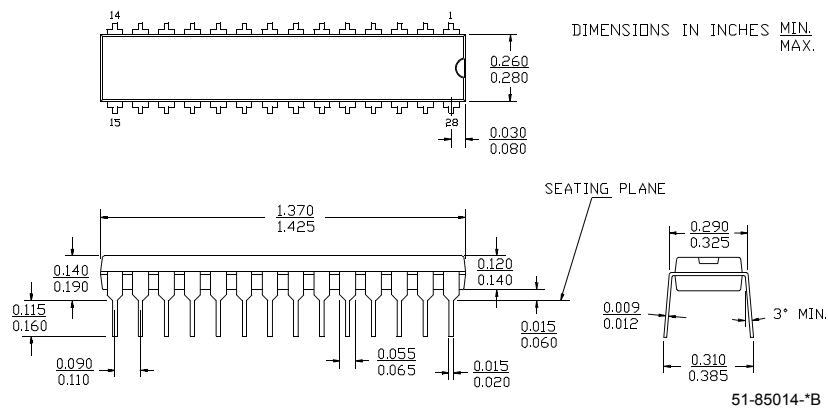
Package Diagram

24-Lead (300-Mil) Molded SOJ V13



28-Lead (300-Mil) Molded SOJ V21



Package Diagram (continued)
24-Lead (300-Mil) PDIP P13

28-Lead (300-Mil) Molded DIP P21


All product and company names mentioned in this document may be the trademarks of their respective holders.

Document History Page

Document Title: CY7C194B-CY7C195B 256 Kb (64K x 4) Static RAM				
Document Number: 38-05409				
REV.	ECN No.	Issue Date	Orig. of Change	Description of Change
**	129234	09/16/03	HGK	New Data Sheet
*A	129786	09/18/03	AJU	Found typos in AC Electrical Characteristics table. Modified the following: t_{SCE} from 10, 12 and 20 to 9, 10 and 18; t_{AW} from 10, 12 and 20 to 9, 10 and 20; t_{PWE} from 10, 12 and 20 to 8, 9 and 18.