

16K x 4 Static RAM

Features

- High speed
 - 15 ns
- Output enable (\overline{OE}) feature (CY7C166)
- CMOS for optimum speed/power
- Low active power
 - 633 mW
- Low standby power
 - 110 mW
- TTL-compatible inputs and outputs
- Automatic power-down when deselected
- CY7C164 is available in non Pb-free 22-pin (300-Mil) Molded DIP, CY7C166 in non Pb-free 24-pin Molded SOJ

Functional Description

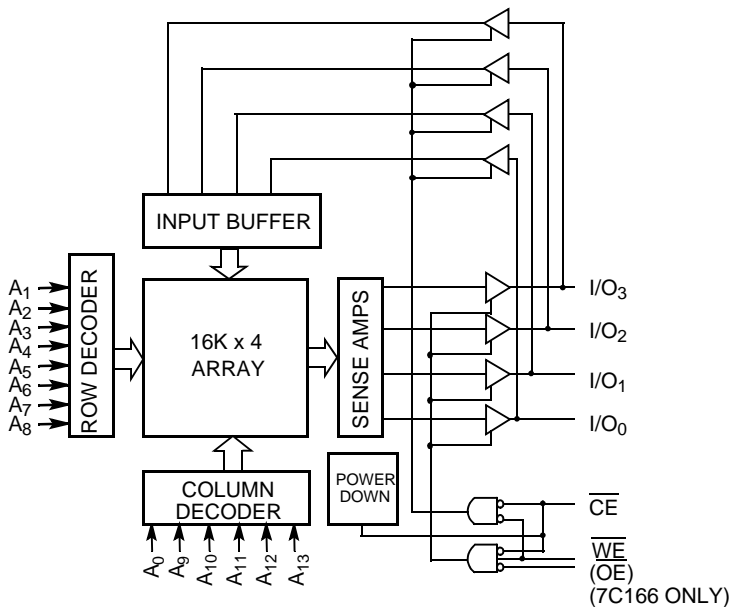
The CY7C164 and CY7C166 are high-performance CMOS static RAMs organized as 16,384 by 4 bits. Easy memory expansion is provided by an active LOW Chip Enable (\overline{CE}) and tri-state drivers. The CY7C166 has an active LOW Output Enable (\overline{OE}) feature. Both devices have an automatic power-down feature, reducing the power consumption by 65% when deselected.

Writing to the device is accomplished when the Chip Enable (\overline{CE}) and Write Enable (\overline{WE}) inputs are both LOW (and the Output Enable (\overline{OE}) is LOW for the CY7C166). Data on the four input/output pins (I/O_0 through I/O_3) is written into the memory location specified on the address pins (A_0 through A_{13}).

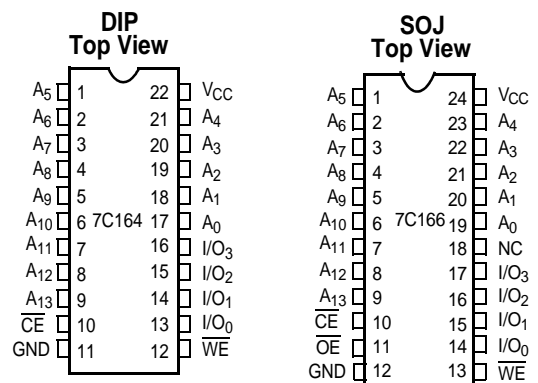
Reading the device is accomplished by taking Chip Enable (\overline{CE}) LOW (and \overline{OE} LOW for CY7C166), while Write Enable (\overline{WE}) remains HIGH. Under these conditions the contents of the memory location specified on the address pins will appear on the four data I/O pins.

The I/O pins stay in a high-impedance state when Chip Enable (\overline{CE}) is HIGH (or Output Enable (\overline{OE}) is HIGH for CY7C166). A die coat is used to insure alpha immunity.

Logic Block Diagram



Pin Configurations



Selection Guide

	CY7C164-15 CY7C166-15	CY7C164-25 CY7C166-25
Maximum Access Time (ns)	15	25
Maximum Operating Current (mA)	115	105
Maximum CMOS Standby Current (mA)	20	20

Maximum Ratings

(Above which the useful life may be impaired. For user guidelines, not tested.)

Storage Temperature -65°C to +150°C

Ambient Temperature with Power Applied -55°C to +125°C

Supply Voltage to Ground Potential -0.5V to +7.0V

DC Voltage Applied to Outputs in High Z State^[1] -0.5V to +7.0V

DC Input Voltage^[1] -0.5V to +7.0V

Output Current into Outputs (LOW) 20 mA

Static Discharge Voltage >2001V (per MIL-STD-883, Method 3015)

Latch-Up Current >200 mA

Operating Range

Range	Ambient Temperature	V _{CC}
Commercial	0°C to +70°C	5V ± 10%

Electrical Characteristics Over the Operating Range

Parameter	Description	Test Conditions	-15		-25		Unit
			Min.	Max.	Min.	Max.	
V _{OH}	Output HIGH Voltage	V _{CC} = Min., I _{OH} = -4.0 mA	2.4		2.4		V
V _{OL}	Output LOW Voltage	V _{CC} = Min., I _{OL} = 8.0 mA		0.4		0.4	V
V _{IH}	Input HIGH Voltage		2.2	V _{CC}	2.2	V _{CC}	V
V _{IL}	Input LOW Voltage ^[1]		-0.5	0.8	-0.5	0.8	V
I _{IX}	Input Leakage Current	GND ≤ V _I ≤ V _{CC}	-5	+5	-5	+5	μA
I _{OZ}	Output Leakage Current	GND ≤ V _O ≤ V _{CC} , Output Disabled	-5	+5	-5	+5	μA
I _{CC}	V _{CC} Operating Supply Current	V _{CC} = Max., I _{OUT} = 0 mA		115		105	mA
I _{SB1}	Automatic \overline{CE} Power-Down Current ^[2]	Max. V _{CC} , $\overline{CE} \geq V_{IH}$, Min. Duty Cycle = 100%		40		20	mA
I _{SB2}	Automatic \overline{CE} Power-Down Current ^[2]	Max. V _{CC} , $\overline{CE} \geq V_{CC} - 0.3V$, V _{IN} ≥ V _{CC} - 0.3V or V _{IN} ≤ 0.3V		20		20	mA

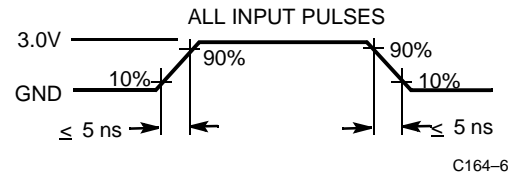
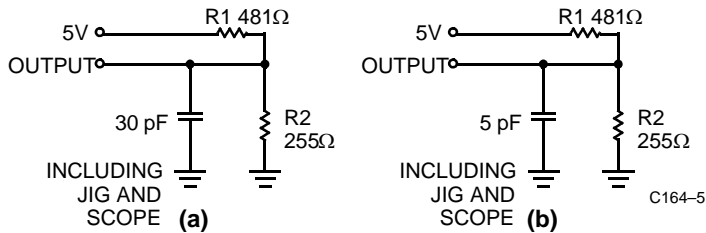
Capacitance^[3]

Parameter	Description	Test Conditions	Max.	Unit
C _{IN}	Input Capacitance	T _A = 25°C, f = 1 MHz, V _{CC} = 5.0V	10	pF
C _{OUT}	Output Capacitance		10	pF

Notes:

1. Minimum voltage is equal to -3.0V for pulse durations less than 30 ns.
2. A pull-up resistor to V_{CC} on the \overline{CE} input is required to keep the device deselected during V_{CC} power-up, otherwise I_{SB} will exceed values given.
3. Tested initially and after any design or process changes that may affect these parameters.

AC Test Loads and Waveforms



Equivalent to: THÉVENIN EQUIVALENT
 167Ω
 OUTPUT \rightarrow $1.73V$

Switching Characteristics Over the Operating Range^[4]

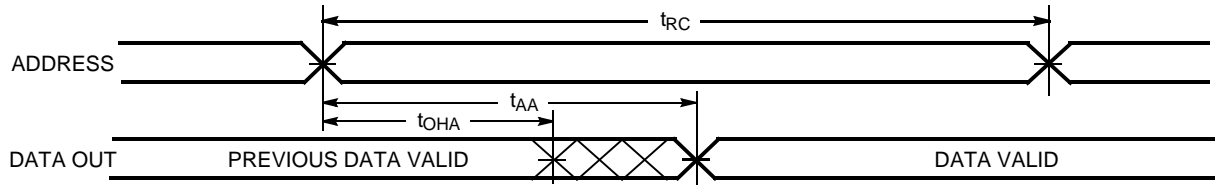
Parameter	Description	CY7C164-15 CY7C166-15		CY7C164-25 CY7C166-25		Unit
		Min.	Max.	Min.	Max.	
READ CYCLE						
t_{RC}	Read Cycle Time	15		25		ns
t_{AA}	Address to Data Valid		15		25	ns
t_{OHA}	Output Hold from Address Change	3		5		ns
t_{ACE}	\overline{CE} LOW to Data Valid		15		25	ns
t_{DOE}	\overline{OE} LOW to Data Valid		10		12	ns
t_{LZOE}	\overline{OE} LOW to Low Z	3		3		ns
t_{HZOE}	\overline{OE} HIGH to High Z		8		10	ns
t_{LZCE}	\overline{CE} LOW to Low Z ^[5]	3		5		ns
t_{HZCE}	\overline{CE} HIGH to High Z ^[5, 6]		8		10	ns
t_{PU}	\overline{CE} LOW to Power-Up	0		0		ns
t_{PD}	\overline{CE} HIGH to Power-Down		15		20	ns
WRITE CYCLE^[7]						
t_{WC}	Write Cycle Time	15		20		ns
t_{SCE}	\overline{CE} LOW to Write End	12		20		ns
t_{AW}	Address Set-Up to Write End	12		20		ns
t_{HA}	Address Hold from Write End	0		0		ns
t_{SA}	Address Set-Up to Write Start	0		0		ns
t_{PWE}	\overline{WE} Pulse Width	12		15		ns
t_{SD}	Data Set-Up to Write End	10		10		ns
t_{HD}	Data Hold from Write End	0		0		ns
t_{LZWE}	\overline{WE} HIGH to Low Z ^[5]	5		5		ns
t_{HZWE}	\overline{WE} LOW to High Z ^[5, 6]		7		7	ns

Notes:

- Test conditions assume signal transition time of 5 ns or less, timing reference levels of 1.5V, input pulse levels of 0 to 3.0V, and output loading of the specified I_{OL}/I_{OH} and 30-pF load capacitance.
- At any given temperature and voltage condition, t_{HZCE} is less than t_{LZCE} for any given device. These parameters are guaranteed by design and not 100% tested.
- t_{HZCE} and t_{HZWE} are specified with $C_L = 5$ pF as in part (b) in AC Test Loads. Transition is measured ± 500 mV from steady-state voltage.
- The internal write time of the memory is defined by the overlap of \overline{CE} LOW and \overline{WE} LOW. Both signals must be LOW to initiate a write and either signal can terminate a write by going HIGH. The data input set-up and hold timing should be referenced to the rising edge of the signal that terminates the write.

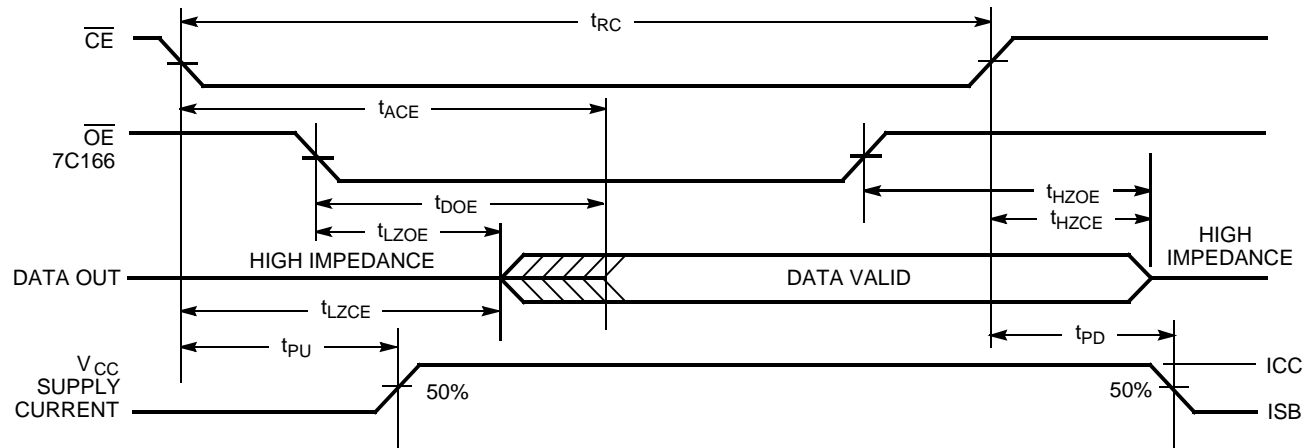
Switching Waveforms

Read Cycle No. 1^[8,9]



C164-7

Read Cycle No. 2^[8,10]



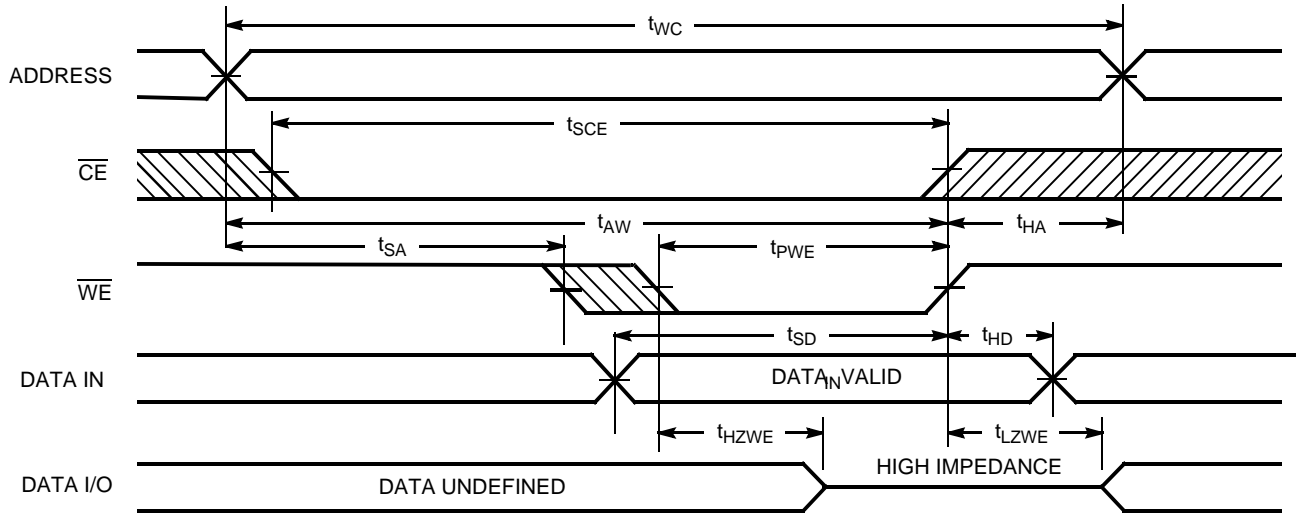
C164-8

Notes:

8. \overline{WE} is HIGH for read cycle.
9. Device is continuously selected, $\overline{CE} = V_{IL}$. (CY7C166: $\overline{OE} = V_{IL}$ also).
10. Address valid prior to or coincident with \overline{CE} transition LOW.

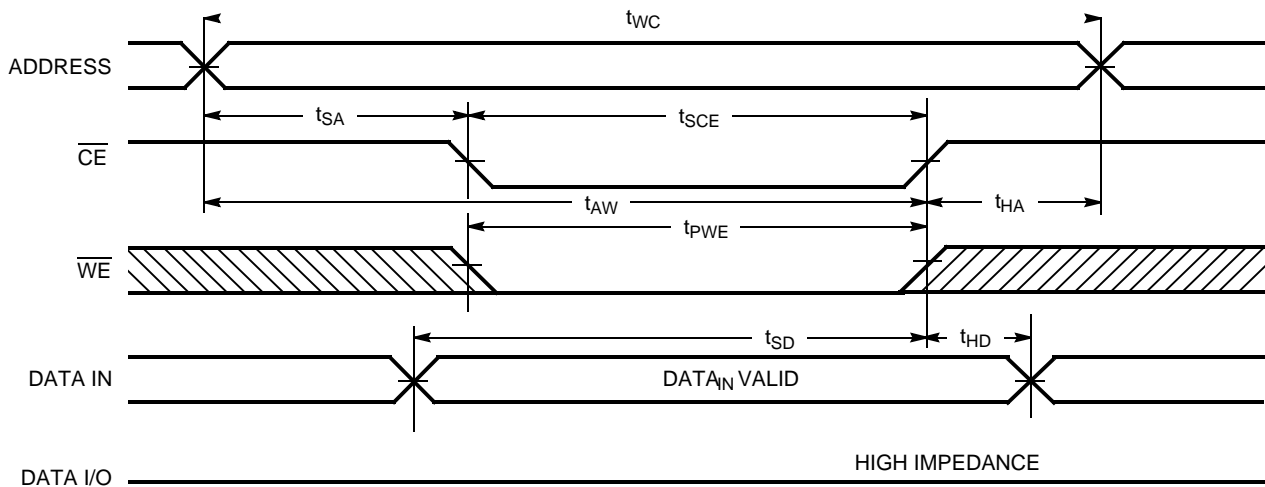
Switching Waveforms (continued)

Write Cycle No. 1 (\overline{WE} Controlled)^[7,11]



C164-9

Write Cycle No. 2 (\overline{CE} Controlled)^[7,11,12]

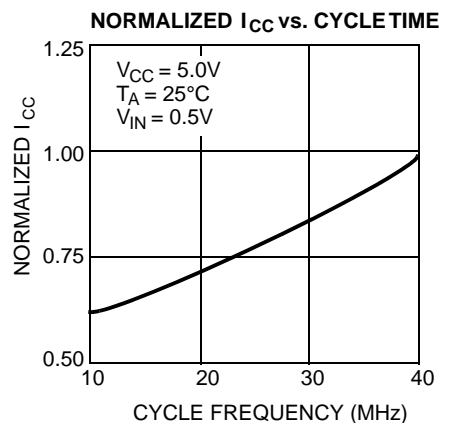
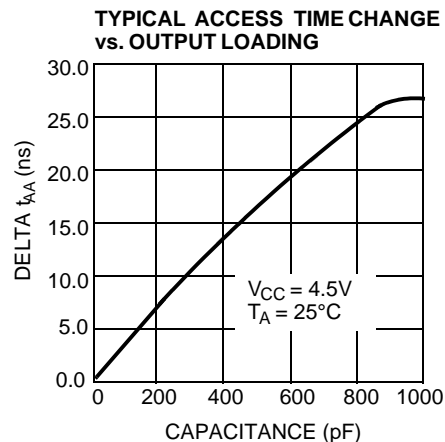
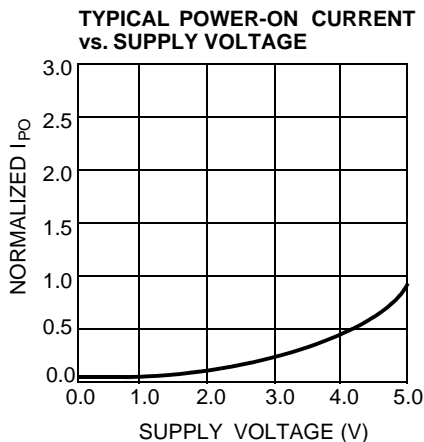
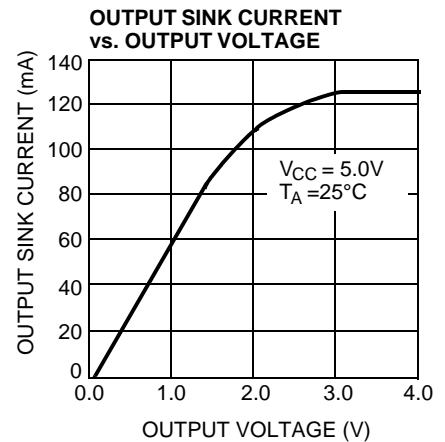
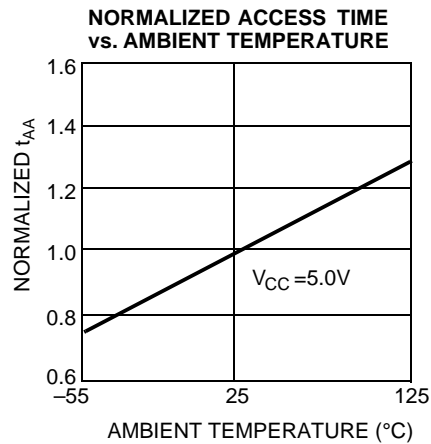
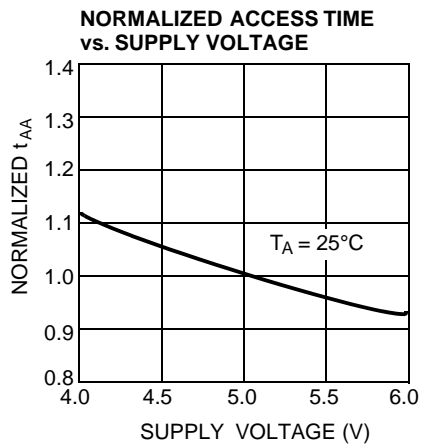
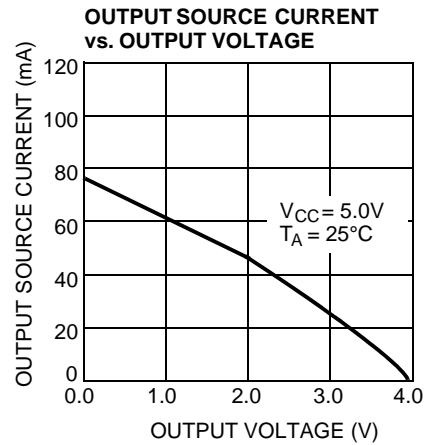
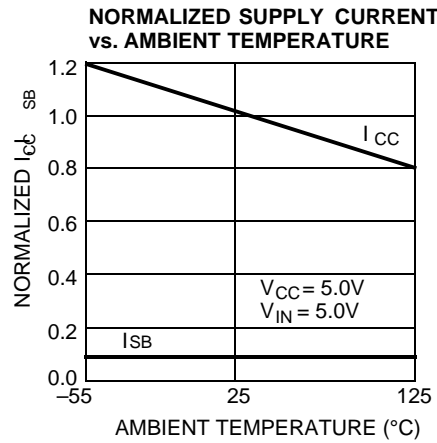
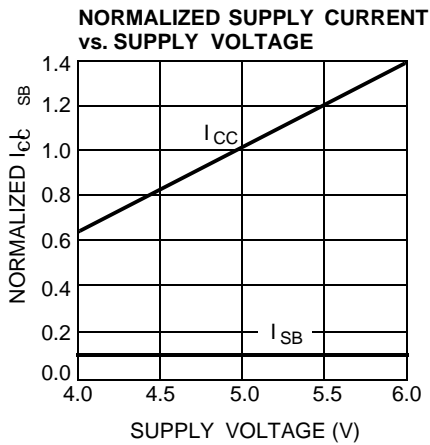


C164-10

Notes:

- 11. CY7C166 only: Data I/O will be high-impedance if $\overline{OE} = V_{IH}$.
- 12. If CE goes HIGH simultaneously with WE HIGH, the output remains in a high-impedance state.

Typical DC and AC Characteristics



CY7C164 Truth Table

CE	WE	Input/Output	Mode	Power
H	X	High Z	Deselect/Power-Down	Standby (I_{SB})
L	H	Data Out	Read	Active (I_{CC})
L	L	Data In	Write	Active (I_{CC})

CY7C166 Truth Table

CE	WE	OE	Input/Output	Mode	Power
H	X	X	High Z	Deselect/Power-Down	Standby (I_{SB})
L	H	L	Data Out	Read	Active (I_{CC})
L	L	H	Data In	Write	Active (I_{CC})
L	H	H	High Z	Select/Output Disabled	Active (I_{CC})

Address Designators

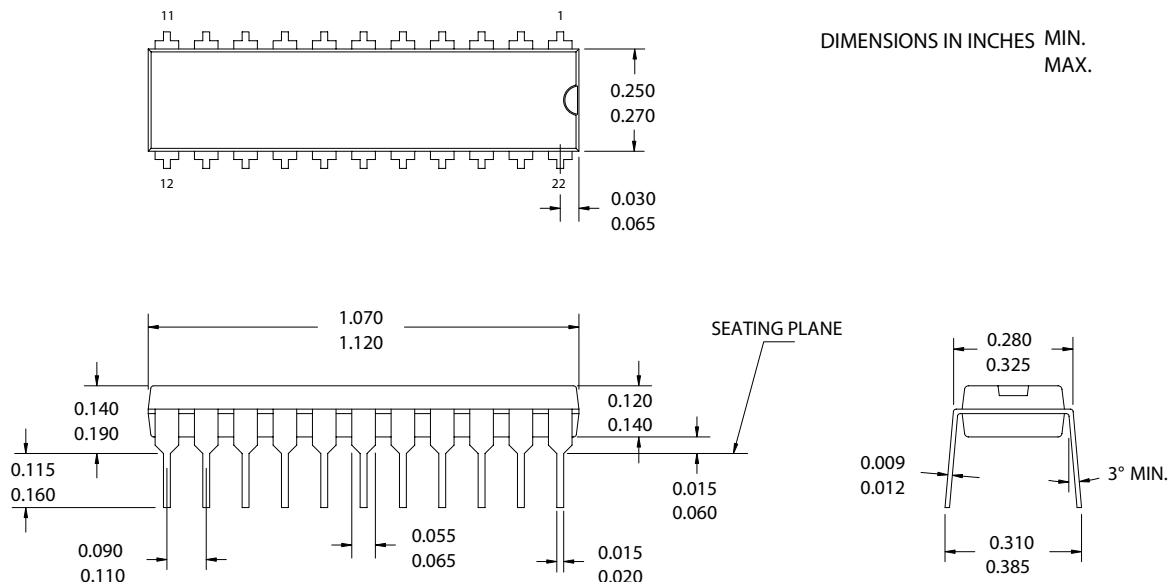
Address Name	Address Function	CY 7C164 Pin Number	CY7C166 Pin Number
A5	X3	1	1
A6	X4	2	2
A7	X5	3	3
A8	X6	4	4
A9	X7	5	5
A10	Y5	6	6
A11	Y4	7	7
A12	Y0	8	8
A13	Y1	9	9
A0	Y2	17	19
A1	Y3	18	20
A2	X0	19	21
A3	X1	20	22
A4	X2	21	23

Ordering Information

Speed (ns)	Ordering Code	Package Diagram	Package Type	Operating Range
15	CY7C164-15PC	51-85012	22-pin (300-Mil) Molded DIP	Commercial
	CY7C166-15VC	51-85030	24-pin (300-Mil) Molded SOJ	
25	CY7C164-25PC	51-85012	22-pin (300-Mil) Molded DIP	Commercial
	CY7C166-25VC	51-85030	24-pin (300-Mil) Molded SOJ	

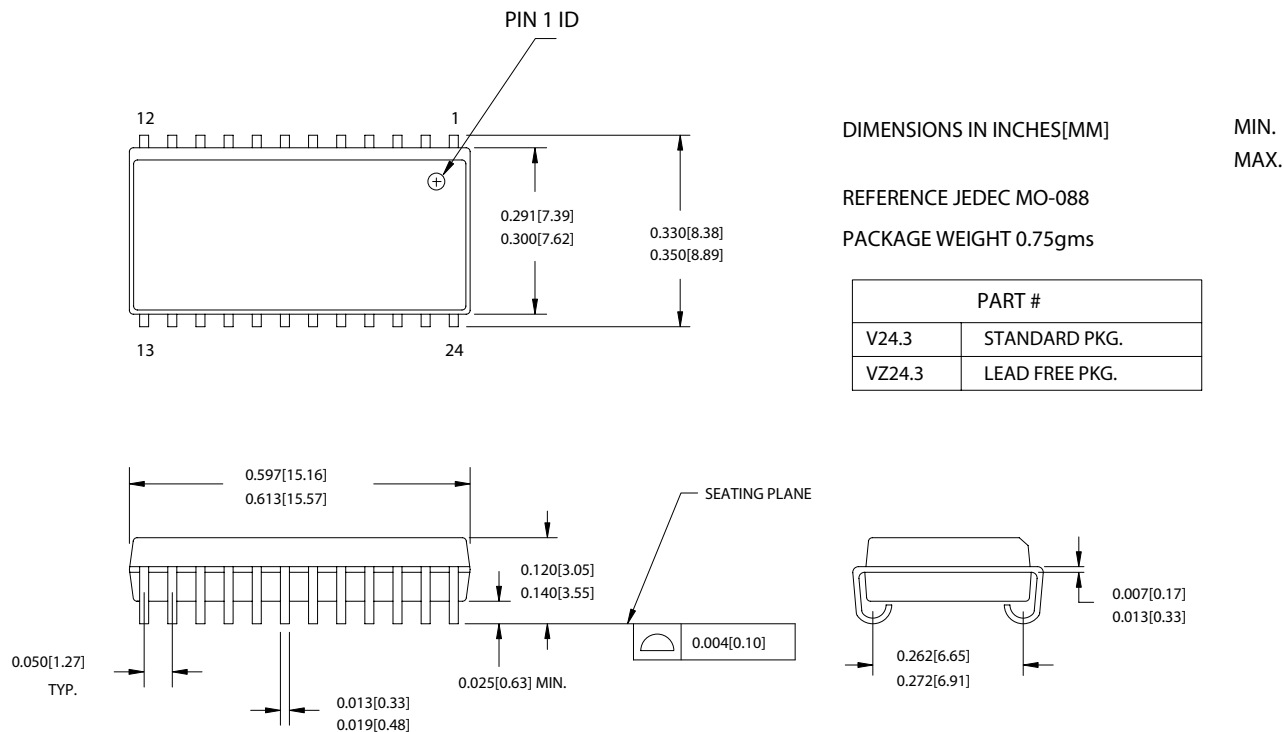
Package Diagrams

22-pin (300-Mil) PDIP (51-85012)



51-85012-*A

24-pin (300-mil) SOJ (51-85030)



51-85030-*B

Document History Page

Document Title: CY7C164/CY7C166 16K x 4 Static RAM Document Number: 38-05025				
REV.	ECN NO.	Issue Date	Orig. of Change	Description of Change
**	106811	09/10/01	SZV	Change from Spec number: 38-00032 to 38-05025
*A	486744	See ECN	NXR	Removed 20 ns and 35 ns speed bin from Product offering Removed 24-pin (300-Mil) Molded DIP package Changed the description of I_{IX} from Input Load Current to Input Leakage Current in DC Electrical Characteristics table Removed I_{OS} parameter from DC Electrical Characteristics table Updated the ordering information table