

Single Junction Drop-In Circulator

800MHz, 900MHz, 1800MHz, 1900MHz, 2100MHz



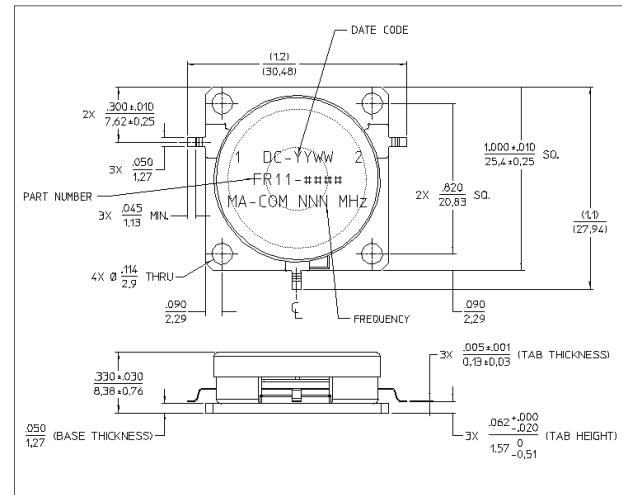
Features

- 20dB Isolation
- 0.35dB Insertion Loss
- Low cost package
- Custom products available with alternative configurations such as couplers, attenuators, high power termination and reverse circulation.

Description

M/A COM's drop-in circulators and isolators, designed for Wireless base station and power amplifier applications, feature high reliability performance at a low cost. These designs feature a low cost package ideally suited for high volume manufacturing. M/A Com is one of the largest suppliers of isolator and circulators in the world.

Outline Drawing



Electrical Specifications: $Z_0 = 50\Omega$

Parameter	-30°C to +85°C
Isolation	20dB minimum
Insertion Loss	0.35dB maximum
VSWR, all ports	1.22:1
Circulation	Clockwise

Absolute Maximum Ratings ¹

Parameter	Absolute Maximum
Forward & Reverse Power	250 Watts
Operating Temperature	-30°C to +85°C
Storage Temperature	-45°C to +100°C

1. Operation of this device above any one of these parameters may cause permanent damage.

Ordering Information

Part Number	Frequency Range (MHz)
FR11-0001	869—894
FR11-0002	925—960
FR11-0003	1805—1880
FR11-0004	1930—1990
FR11-0009	2110—2170

1

ADVANCED: Data Sheets contain information regarding a product M/A-COM Technology Solutions is considering for development. Performance is based on target specifications, simulated results, and/or prototype measurements. Commitment to develop is not guaranteed.

PRELIMINARY: Data Sheets contain information regarding a product M/A-COM Technology Solutions has under development. Performance is based on engineering tests. Specifications are typical. Mechanical outline has been fixed. Engineering samples and/or test data may be available. Commitment to produce in volume is not guaranteed.

• **North America** Tel: 800.366.2266 • **Europe** Tel: +353.21.244.6400
 • **India** Tel: +91.80.4155721 • **China** Tel: +86.21.2407.1588
 Visit www.macomtech.com for additional data sheets and product information.

M/A-COM Technology Solutions Inc. and its affiliates reserve the right to make changes to the product(s) or information contained herein without notice.