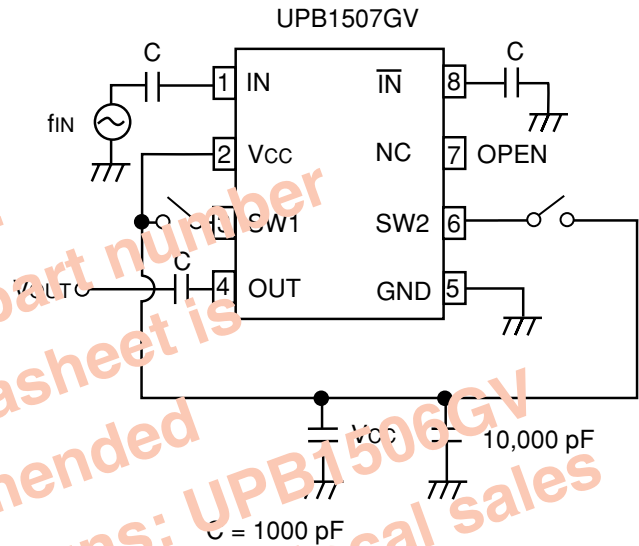


FEATURES

- HIGH FREQUENCY OPERATION TO 3 GHz
- SELECTABLE DIVIDE RATIO: $\div 64$, $\div 128$, $\div 256$
- LOW CURRENT CONSUMPTION: 19 mA at 5 V
- SMALL PACKAGE: 8 pin SSOP
- AVAILABLE IN TAPE AND REEL

TEST CIRCUIT



DESCRIPTION

NEC's UPB1506GV and UPB1507GV are Silicon MMIC digital prescalers manufactured with the NESAT™ IV silicon bipolar process. They feature high frequency response to 3 GHz, selectable divide-by-64, 128, or 256 modes, and operate on a 5 volt supply while drawing only 19 mA. The devices are housed in a small 8 pin SSOP package that contributes to system miniaturization. These devices are designed for use in a PLL synthesizer for DBS and CATV settop and WLAN applications.

ELECTRICAL CHARACTERISTICS (TA = -40 to +85°C, Vcc = 4.5 to 5.5 V, Zs = 50Ω)

PART NUMBER PACKAGE OUTLINE			UPB1506GV,UPB1507GV S08		
SYMBOLS	PARAMETERS AND CONDITIONS	UNITS	MIN	TYP	MAX
Icc	Circuit Current	mA	12.5	19	26.5
f _{IN(U)}	Upper Limit Operating Frequency, P _{IN} = -15 to +6 dBm	GHz		3.0	
f _{IN(L)1}	Lower Limit Operating Frequency, P _{IN} = -10 to +6 dBm	GHz			0.5
f _{IN(L)2}	Lower Limit Operating Frequency, P _{IN} = -15 to +6 dBm	GHz			1.0
P _{IN1}	Input Power, f _{IN} = 1.0 to 3.0 GHz	dBm	-15		+6
P _{IN2}	Input Power, f _{IN} = 0.5 to 1.0 GHz	dBm	-10		+6
V _{OUT}	Output Voltage, C _L = 0.8 pF	V _{P-P}	1.2	1.6	
V _{IN(H)}	Division Ratio Control Input High	V		V _{CC}	
V _{IN(L)}	Division Ratio Control Input Low	V		OPEN or GND	

ABSOLUTE MAXIMUM RATINGS¹ (T_A = 25°C)

SYMBOLS	PARAMETERS	UNITS	RATINGS
V _{CC}	Supply Voltage	V	-0.5 to 6.0
V _{IN}	Input Voltage	V	-0.5 to V _{CC} + 0.5
P _{IN}	Input Power	dBm	+10
P _D	Power Dissipation ²	mW	250
T _{OP}	Operating Temperature	°C	-45 to +85
T _{STG}	Storage Temperature	°C	-55 to +150

Notes:

1. Operation in excess of any one of these parameters may result in permanent damage.
2. Mounted on a double-sided copper clad 50x50x1.6 mm epoxy glass PWB (T_A = +85°C).

RECOMMENDED OPERATING CONDITIONS

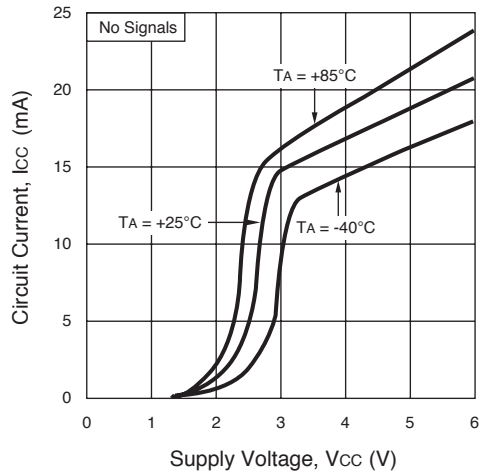
SYMBOL	PARAMETER	UNITS	MIN	TYP	MAX
V _{CC}	Supply Voltage	V	4.5	5.0	5.5
T _{OP}	Operating Temperature	°C	-40	+25	+85

PIN DESCRIPTIONS

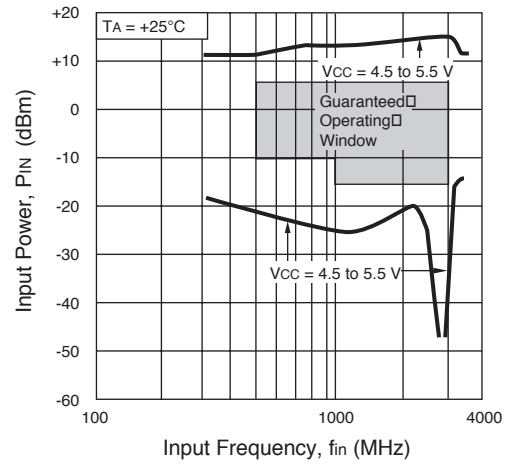
Pin No.		Pin Name	Applied Voltage (V)	Pin Voltage (V)	Description															
UPB1506GV	UPB1507GV																			
2	1	IN	–	2.9	Signal input pin. This pin should be coupled to the source with a capacitor (eg 1000 pF).															
3	8	$\overline{\text{IN}}$	–	2.9	Signal input bypass pin. This pin must be equipped with a bypass capacitor (eg 1000 pF) to ground.															
4	5	GND	0	–	Ground pin. Ground pattern on the board should be formed as wide as possible to minimize ground impedance.															
1	3	SW1	H/L	–	Divided ratio input pin. The ratio can be controlled by the following input data to these pins. <table border="1" style="margin: 10px auto;"> <thead> <tr> <th colspan="2"></th> <th colspan="2">SW2</th> </tr> <tr> <th colspan="2"></th> <th>H</th> <th>L</th> </tr> </thead> <tbody> <tr> <th rowspan="2">SW1</th> <th>H</th> <td>+64</td> <td>+128</td> </tr> <tr> <th>L</th> <td>+128</td> <td>+256</td> </tr> </tbody> </table>			SW2				H	L	SW1	H	+64	+128	L	+128	+256
		SW2																		
		H	L																	
SW1	H	+64	+128																	
	L	+128	+256																	
6	6	SW2			These pins should be equipped with a bypass capacitor (e.g. 1000 pF) to ground.															
8	2	V _{CC}	4.5 to 5.5	–	Power supply pin. This pin must be equipped with bypass capacitor (eg 1000 pF) to ground.															
7	4	OUT	–	2.6 to 4.7	Divided frequency output pin. This pin is designed as an emitter follower output. This pin can be connected to CMOS input due to 1.2 V _{p-p} MIN output.															
5	7	NC	–	–	No connection. This pin must be opened.															

TYPICAL PERFORMANCE CURVES (TA = +25°C unless otherwise noted)

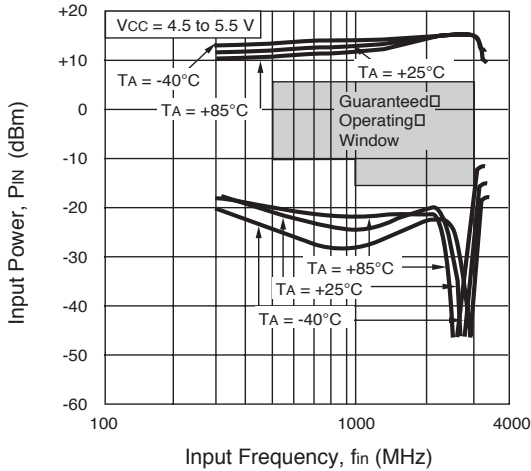
CURRENT vs. VOLTAGE and TEMPERATURE



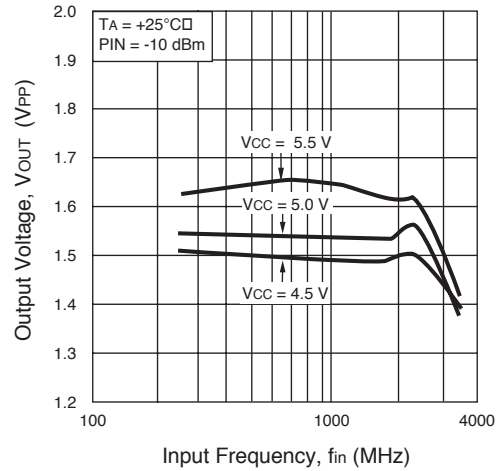
INPUT POWER vs. INPUT FREQUENCY and VOLTAGE



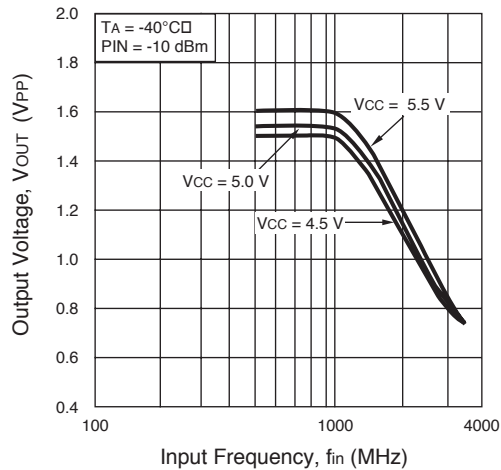
INPUT POWER vs. INPUT FREQUENCY and TEMPERATURE



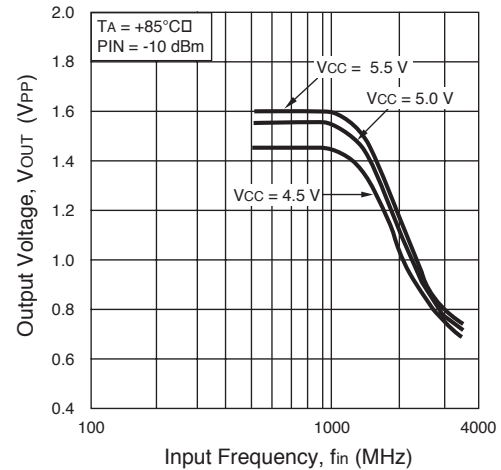
OUTPUT VOLTAGE vs. INPUT FREQUENCY and VOLTAGE



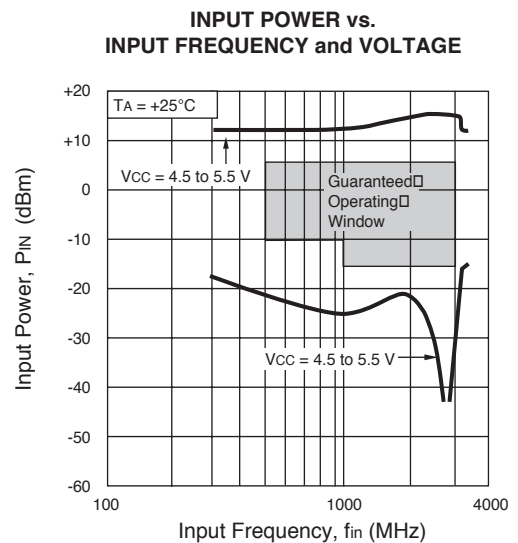
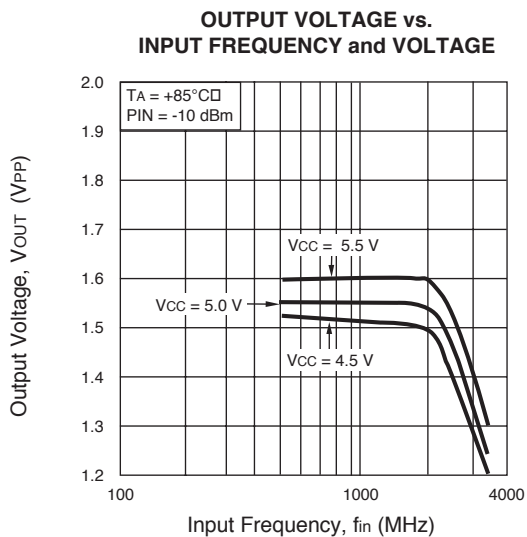
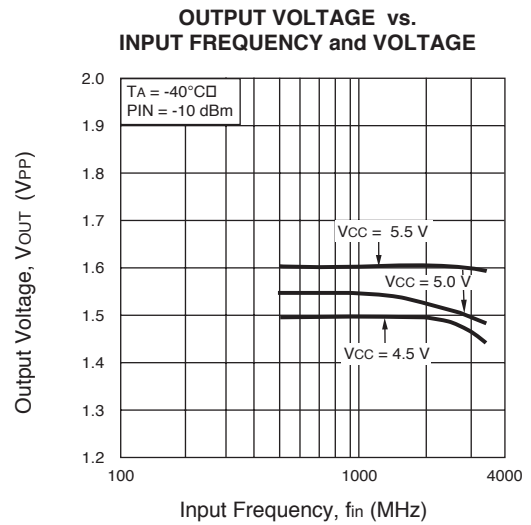
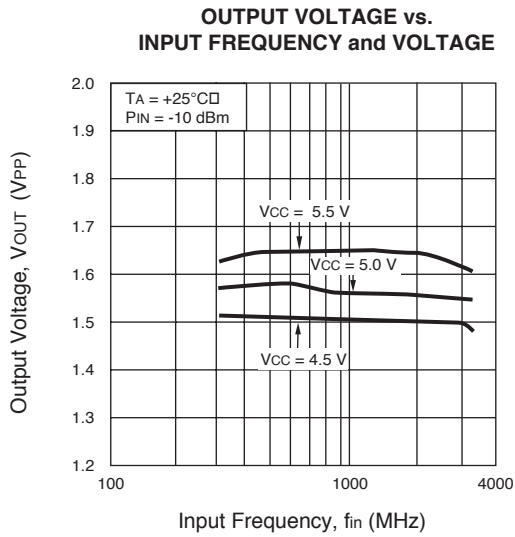
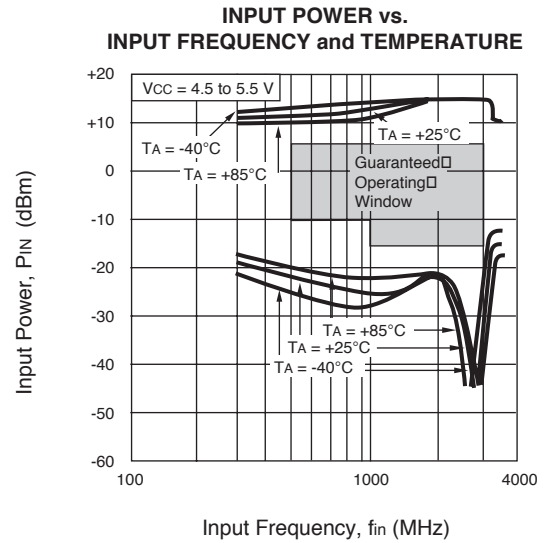
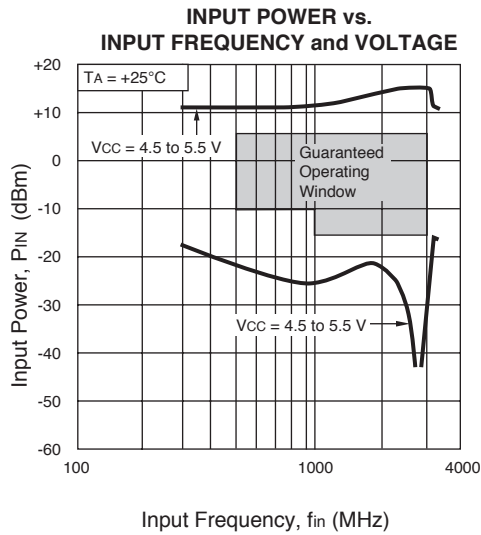
OUTPUT VOLTAGE vs. INPUT FREQUENCY and VOLTAGE



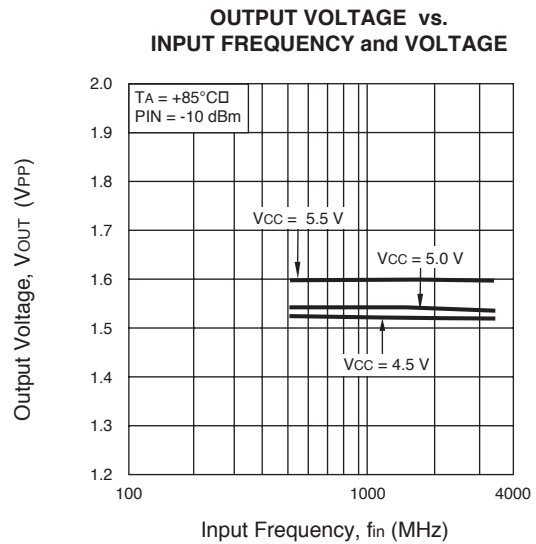
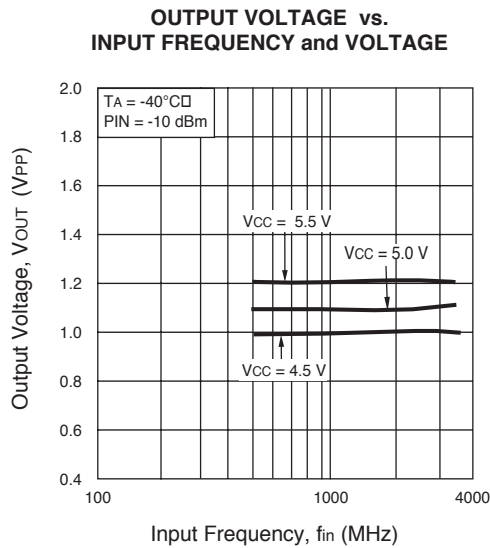
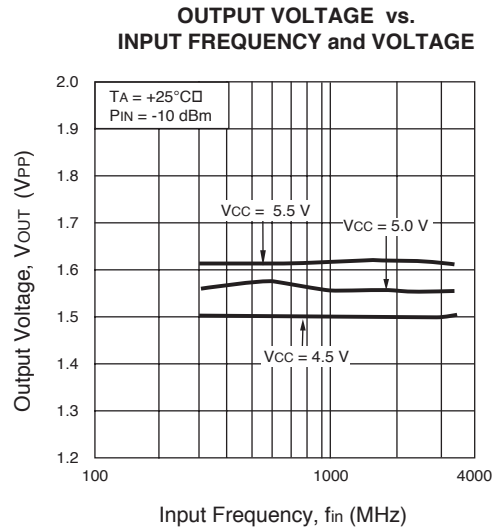
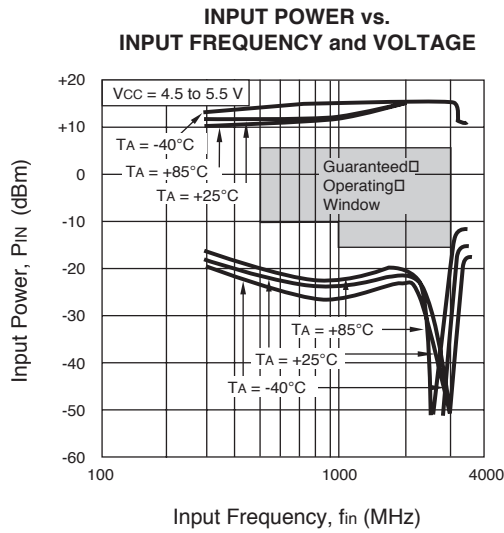
OUTPUT VOLTAGE vs. INPUT FREQUENCY and VOLTAGE



TYPICAL PERFORMANCE CURVES (TA = +25°C unless otherwise noted)



TYPICAL PERFORMANCE CURVES (TA = +25°C unless otherwise noted)



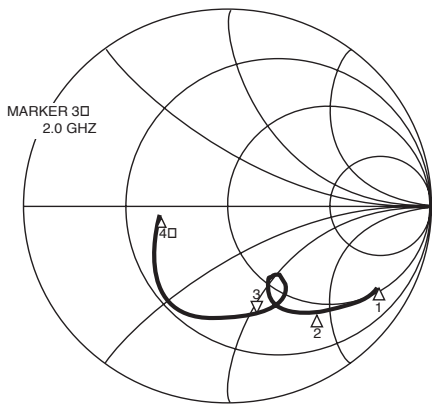
TYPICAL SCATTERING PARAMETERS (TA = 25°C)

UPB1506GV

S11 vs. INPUT FREQUENCY
Vcc = 5.0 V

S11 Z
REF 1.0 Units
3 200.0 mUnits/
▽ 33.881 Ω -52.875 Ω
hp

C
D



START 0.500000000 GHz
STOP 3.000000000 GHz

△ 1 □ : 0.5 GHz
△ 2 □ : 1.0 GHz
△ 3 □ : 2.0 GHz
△ 4 □ : 3.0 GHz

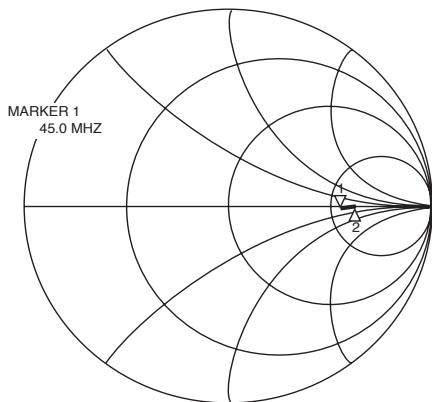
FREQUENCY	S11	
	MAG	ANG
0.5	0.868	-26.6
0.6	0.828	-32.6
0.7	0.794	-37.4
0.8	0.761	-41.9
0.9	0.721	-46.5
1.0	0.706	-49.3
1.1	0.662	-54.0
1.2	0.629	-57.2
1.3	0.595	60.2
1.4	0.554	-62.9
1.5	0.516	-64.8
1.6	0.440	-61.9
1.7	0.428	51.0
1.8	0.543	-61.5
1.9	0.555	-68.4
2.0	0.560	-74.7
2.1	0.558	-79.5
2.2	0.564	-84.9
2.3	0.570	-90.9
2.4	0.574	-98.3
2.5	0.574	-107.9
2.6	0.564	-118.3
2.7	0.530	-131.4
2.8	0.476	-144.6
2.9	0.411	-159.1
3.0	0.331	-175.8

UPB1506GV

S22 vs. OUTPUT FREQUENCY
Divide by 64 mode, Vcc = 5.0 V

S22 Z
REF 1.0 Units
1 200.0 mUnits/
▽ 171.22 Ω -04.438 Ω
hp

C
D



START 0.045000000 GHz
STOP 0.100000000 GHz

△ 1 □ : 45 MHz
△ 2 □ : 100 MHz

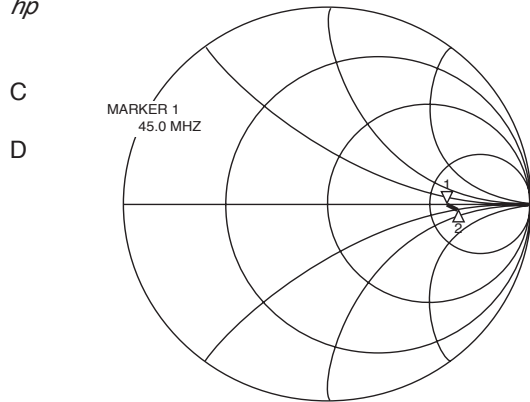
FREQUENCY	S22	
	MAG	ANG
45.0	0.542	-1.4
50.0	0.602	-0.3
55.0	0.616	0.0
60.0	0.605	1.1
65.0	0.609	0.7
70.0	0.616	0.3
75.0	0.620	0.1
80.0	0.622	0.0
85.0	0.619	0.6
90.0	0.610	0.9
95.0	0.626	-0.7
100.0	0.623	-1.7

TYPICAL SCATTERING PARAMETERS ($T_A = 25^\circ\text{C}$)

UPB1506GV

S₂₂ vs. OUTPUT FREQUENCY
Divide by 128 mode, V_{cc} = 5.0 V

S₂₂ Z
REF 1.0 Units
1 200.0 mUnits/
∇ 192.34 Ω 03.109 Ω
hp



START 0.045000000 GHz
STOP 0.100000000 GHz

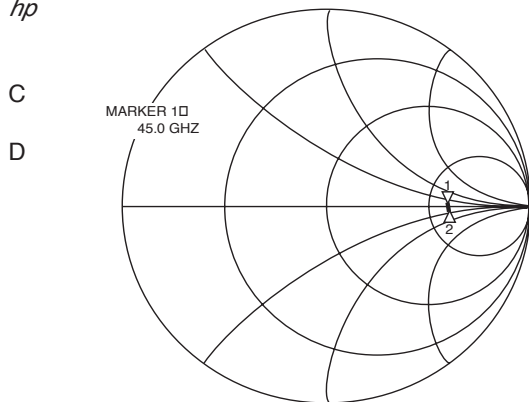
FREQUENCY	S ₂₂	
	MHz	MAG
45.0	0.590	-0.4
50.0	0.604	-1.0
55.0	0.610	-1.1
60.0	0.607	-0.8
65.0	0.548	-5.9
70.0	0.630	-0.0
75.0	0.615	-1.0
80.0	0.618	-1.4
85.0	0.617	-1.2
90.0	0.616	-2.2
95.0	0.623	-2.4
100.0	0.624	-2.3

Δ₁₀: 45 MHz
Δ₂₀: 100 MHz

UPB1506GV

S₂₂ vs. OUTPUT FREQUENCY
Divide by 256 mode, V_{cc} = 5.0 V

S₂₂ Z
REF 1.0 Units
1 200.0 mUnits/
∇ 199.25 Ω -05.992 Ω
hp



START 0.045000000 GHz
STOP 0.100000000 GHz

FREQUENCY	S ₂₂	
	MHz	MAG
45.0	0.601	-0.9
50.0	0.609	-1.6
55.0	0.611	-1.5
60.0	0.620	-1.4
65.0	0.607	-2.1
70.0	0.615	-1.9
75.0	0.613	-3.2
80.0	0.611	-2.8
85.0	0.607	-2.5
90.0	0.605	-2.4
95.0	0.610	-3.0
100.0	0.608	-2.8

Δ₁₀: 45 MHz
Δ₂₀: 100 MHz

TYPICAL SCATTERING PARAMETERS (T_A = 25°C)

UPB1507GV

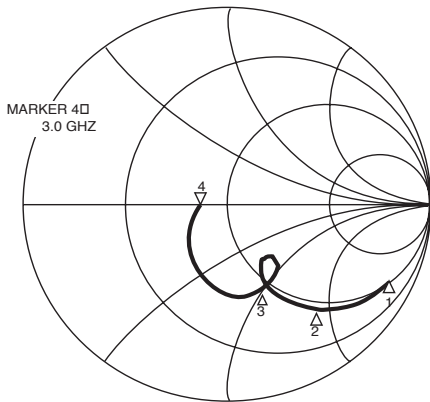
S₁₁ vs. INPUT FREQUENCY
V_{CC} = 5.0 V

S₁₁ Z
REF 1.0 Units
4 200.0 mUnits/
▽ 38.111 Ω 0.9707 Ω

hp

C

D



START 0.500000000 GHz
STOP 3.000000000 GHz

FREQUENCY	S ₁₁	
	MAG	ANG
0.5	0.857	-27.5
0.6	0.849	-32.0
0.7	0.800	-38.9
0.8	0.764	-43.8
0.9	0.725	-49.0
1.0	0.665	-50.9
1.1	0.619	-55.3
1.2	0.573	-59.3
1.3	0.531	-61.3
1.4	0.484	-62.8
1.5	0.439	-63.0
1.6	0.377	-59.1
1.7	0.340	-54.1
1.8	0.377	-54.7
1.9	0.441	-59.5
2.0	0.464	-67.2
2.1	0.443	-67.4
2.2	0.466	-74.5
2.3	0.465	-81.3
2.4	0.454	-89.4
2.5	0.433	-99.2
2.6	0.383	-109.6
2.7	0.350	-114.0
2.8	0.332	-124.2
2.9	0.271	-141.2
3.0	0.185	-163.6

UPB1507GV

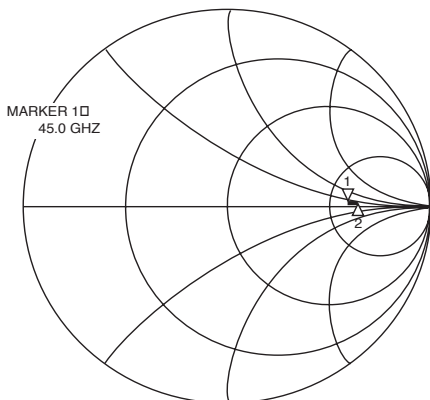
S₂₂ vs. OUTPUT FREQUENCY
Divide by 64 mode, V_{CC} = 5.0 V

S₂₂ Z
REF 1.0 Units
1 200.0 mUnits/
▽ 185.13 Ω 17.789 Ω

hp

C

D



START 0.045000000 GHz
STOP 0.100000000 GHz

FREQUENCY	S ₂₂	
	MAG	ANG
45.0	0.580	3.4
50.0	0.572	2.5
55.0	0.574	3.0
60.0	0.574	2.7
65.0	0.584	3.0
70.0	0.587	2.6
75.0	0.592	2.4
80.0	0.587	2.6
85.0	0.589	2.9
90.0	0.591	2.9
95.0	0.573	1.7
100.0	0.604	2.9

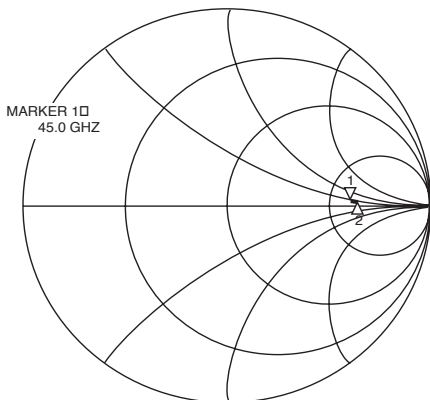
TYPICAL SCATTERING PARAMETERS (TA = 25°C)

UPB1507GV

S22 vs. OUTPUT FREQUENCY
Divide by 128 mode, Vcc = 5.0 V

S22 Z
REF 1.0 Units
1 200.0 mUnits/
▽ 185.02 Ω 18.953 Ω
hp

C
D



START 0.045000000 GHz
STOP 0.100000000 GHz

FREQUENCY	S22	
	MHz	MAG
45.0	0.578	3.2
50.0	0.571	2.8
55.0	0.572	3.3
60.0	0.576	3.0
65.0	0.584	3.1
70.0	0.587	2.8
75.0	0.589	2.4
80.0	0.589	2.8
85.0	0.588	3.0
90.0	0.593	2.8
95.0	0.598	3.0
100.0	0.602	2.9

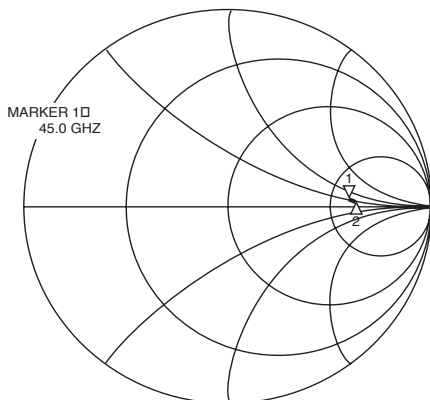
△₁₀ : 45 MHz
△₂₀ : 100 MHz

UPB1507GV

S22 vs. OUTPUT FREQUENCY
Divide by 256 mode, Vcc = 5.0 V

S22 Z
REF 1.0 Units
4 200.0 mUnits/
▽ 186.76 Ω 17.82 Ω
hp

C
D



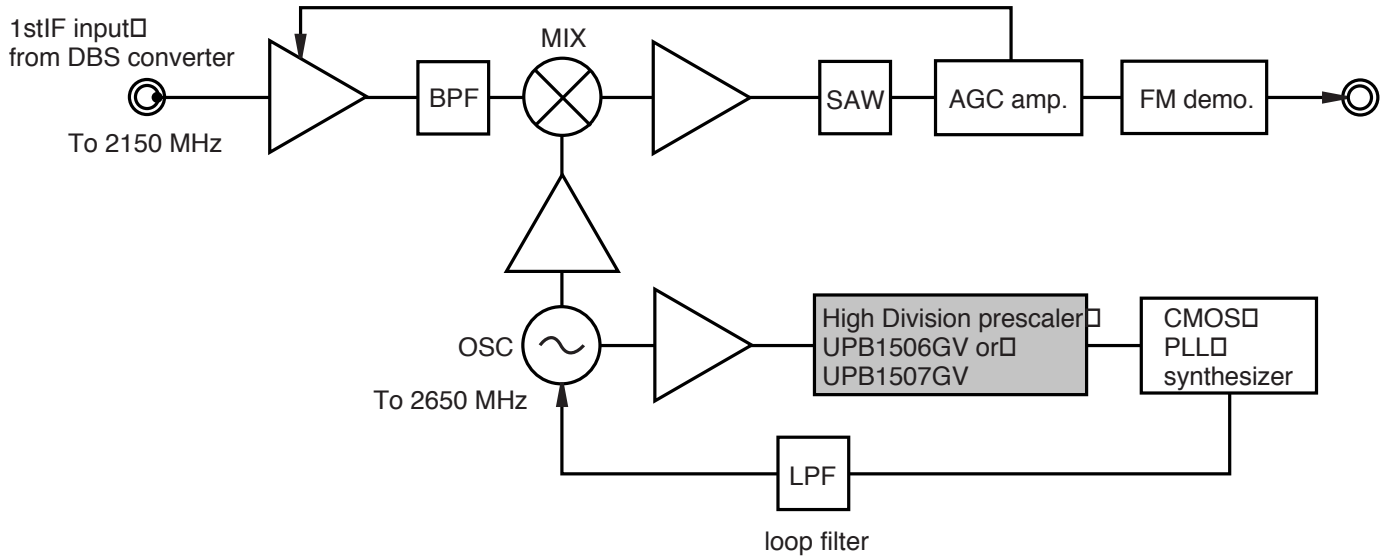
START 0.045000000 GHz
STOP 0.100000000 GHz

FREQUENCY	S22	
	MHz	MAG
45.0	0.580	3.0
50.0	0.572	2.8
55.0	0.571	2.9
60.0	0.576	2.9
65.0	0.585	3.2
70.0	0.590	2.8
75.0	0.589	2.5
80.0	0.590	2.6
85.0	0.588	2.9
90.0	0.597	2.9
95.0	0.600	3.1
100.0	0.601	3.1

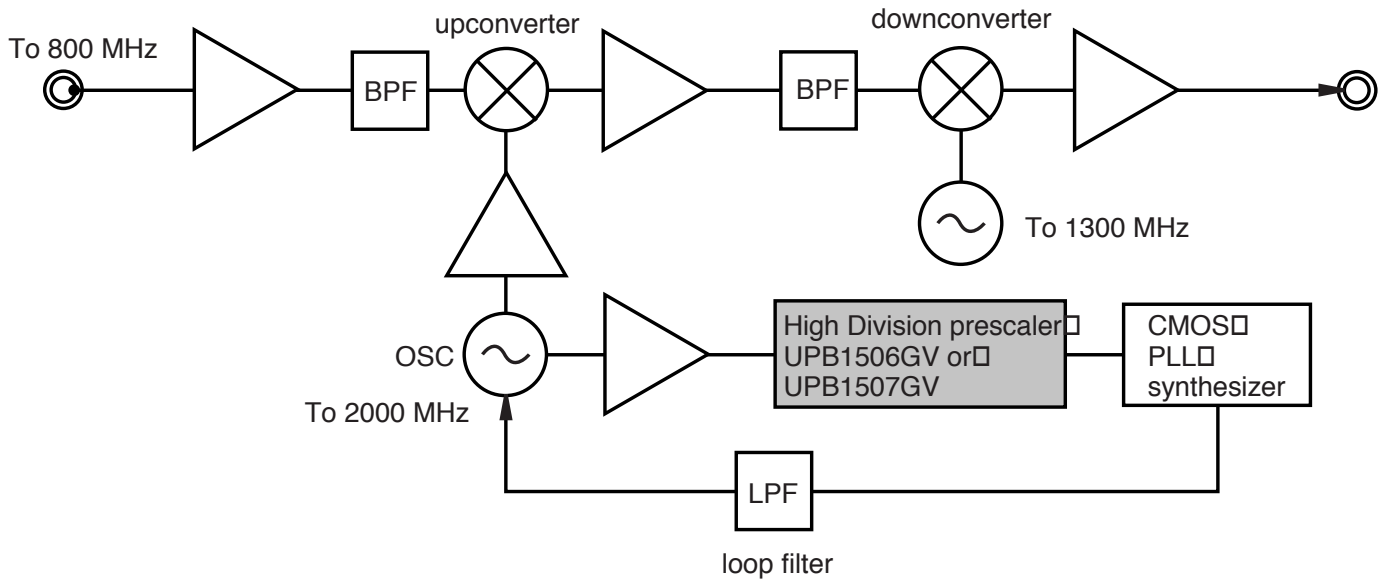
△₁₀ : 45 MHz
△₂₀ : 100 MHz

SYSTEM APPLICATION EXAMPLE

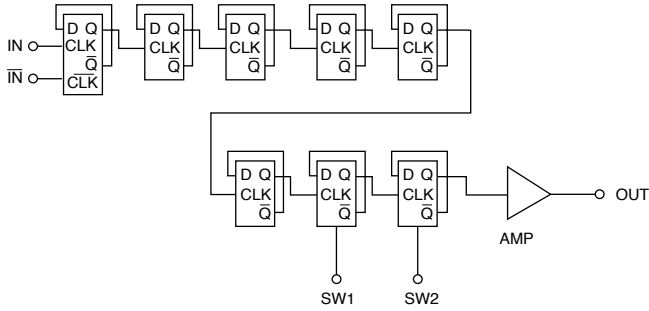
RF unit block of Analog DBS tuners



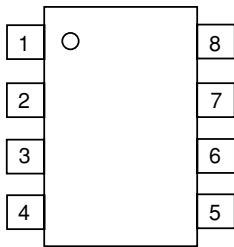
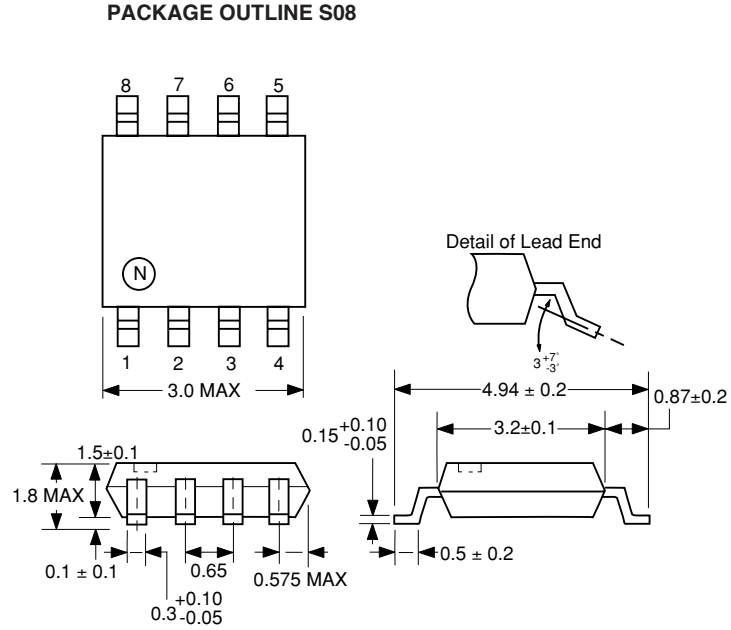
RF unit block of Analog CATV converter



INTERNAL BLOCK DIAGRAM



OUTLINE DIMENSIONS (Units in mm)



PIN CONNECTIONS

Pin No.	UPB1506GV	UPB1507GV
1	SW1	IN
2	IN	Vcc
3	IN-bar	SW1
4	GND	OUT
5	OPEN	GND
6	SW2	SW2
7	OUT	OPEN
8	Vcc	IN-bar

ORDERING INFORMATION

PART NUMBER	QUANTITY	MARKING
UPB1506GV-E1	1000/Reel	1506
UPB1507GV-E1-A	1000/Reel	1507

Note:

- 1. Embossed tape 8 mm wide.
Pin 1 is in the tape pull-out direction.

Life Support Applications

These NEC products are not intended for use in life support devices, appliances, or systems where the malfunction of these products can reasonably be expected to result in personal injury. The customers of CEL using or selling these products for use in such applications do so at their own risk and agree to fully indemnify CEL for all damages resulting from such improper use or sale.

CEL California Eastern Laboratories, Your source for NEC RF, Microwave, Optoelectronic, and Fiber Optic Semiconductor Devices.
4590 Patrick Henry Drive • Santa Clara, CA 95054-1817 • (408) 988-3500 • FAX (408) 988-0279 • www.cel.com

DATA SUBJECT TO CHANGE WITHOUT NOTICE

7/22/2004

NEC
A Business Partner of NEC Compound Semiconductor Devices, Ltd.

Subject: Compliance with EU Directives

CEL certifies, to its knowledge, that semiconductor and laser products detailed below are compliant with the requirements of European Union (EU) Directive 2002/95/EC Restriction on Use of Hazardous Substances in electrical and electronic equipment (RoHS) and the requirements of EU Directive 2003/11/EC Restriction on Penta and Octa BDE.

CEL Pb-free products have the same base part number with a suffix added. The suffix –A indicates that the device is Pb-free. The –AZ suffix is used to designate devices containing Pb which are exempted from the requirement of RoHS directive (*). In all cases the devices have Pb-free terminals. All devices with these suffixes meet the requirements of the RoHS directive.

This status is based on CEL’s understanding of the EU Directives and knowledge of the materials that go into its products as of the date of disclosure of this information.

Restricted Substance per RoHS	Concentration Limit per RoHS (values are not yet fixed)	Concentration contained in CEL devices	
		-A	-AZ
Lead (Pb)	< 1000 PPM	Not Detected	(*)
Mercury	< 1000 PPM	Not Detected	
Cadmium	< 100 PPM	Not Detected	
Hexavalent Chromium	< 1000 PPM	Not Detected	
PBB	< 1000 PPM	Not Detected	
PBDE	< 1000 PPM	Not Detected	

If you should have any additional questions regarding our devices and compliance to environmental standards, please do not hesitate to contact your local representative.

Important Information and Disclaimer: Information provided by CEL on its website or in other communications concerning the substance content of its products represents knowledge and belief as of the date that it is provided. CEL bases its knowledge and belief on information provided by third parties and makes no representation or warranty as to the accuracy of such information. Efforts are underway to better integrate information from third parties. CEL has taken and continues to take reasonable steps to provide representative and accurate information but may not have conducted destructive testing or chemical analysis on incoming materials and chemicals. CEL and CEL suppliers consider certain information to be proprietary, and thus CAS numbers and other limited information may not be available for release.

In no event shall CEL’s liability arising out of such information exceed the total purchase price of the CEL part(s) at issue sold by CEL to customer on an annual basis.

See CEL Terms and Conditions for additional clarification of warranties and liability.