

CE6353

Nordig Unified DVB-T COFDM Terrestrial Demodulator for PC-TV and hand-held Digital TV (DTV)

Data Sheet



Document no. D55752-002

November 2006

Features

- Compliant with ETSI 300 744 DVB-T, Nordig-Unified 1.0.2 and DTG performance specifications.
- High performance with fast fully blind acquisition and tracking capability.
- Low power consumption: less than 0.32 W, and eco-friendly standby and sleep modes.
- Digital filtering of adjacent channels.
- Single 8 MHz SAW filter for 6, 7 & 8 MHz OFDM.
- Superior single frequency network performance.
- Fast AGC to track out signal fades.
- Good Doppler tracking capability.
- Enhanced frequency capture range to include triple offsets.
- External 4 MHz clock or single low-cost 20.48 MHz crystal, tolerance up to +/-200 ppm.
- Automatic mode (2 K/8 K), guard and spectral inversion detection.
- Very low driver software overhead due to on-chip state-machine control.
- Novel RF level detect facility via a separate ADC.
- Pre and post Viterbi-decoder bit error rates, and uncorrectable block count.

Applications

- Digital terrestrial set-top boxes
- Integrated digital televisions
- Personal video recorders
- PC-TV receivers
- Portable applications

Description

The CE6353 is a superior fourth generation fully compliant ETSI ETS300 744 COFDM demodulator that exceeds, with margin, the performance requirements of all known DVB-T digital terrestrial television standards, including Unified Nordig and DTG.

Ordering Information

WJCE6353 882206 64 Pin LQFP* Trays
WJCE6353 S L9G5 882170 64 Pin LQFP* Tape and Reel
* Pb Free Matte Tin (RoHS compliant)

Working temperature range: -10°C to +80°C

A high performance 10 bit on-chip ADC is used to sample the 44 or 36 MHz IF analog signal. Advanced digital filtering of the upper and lower channel enables a single 8 MHz channel SAW filter to be used for 6, 7 and 8 MHz OFDM signal reception. All sampling and other internal clocks are derived from a single 20.48 MHz crystal or a 4 MHz clock input, the tolerance of which may be relaxed as much as 200 ppm.

The CE6353 has a wide frequency capture range able to automatically compensate for the combined offset introduced by the tuner xtal and broadcaster triple frequency offsets.

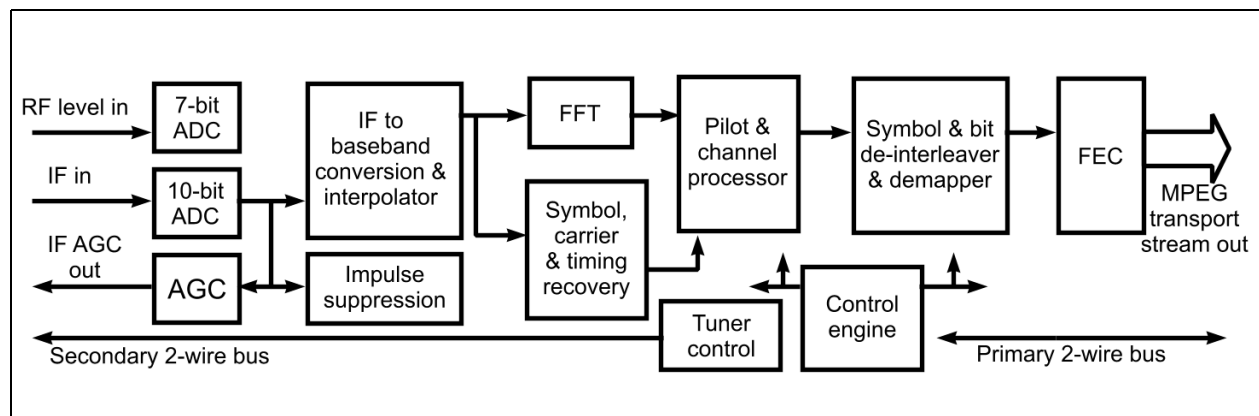
An on-chip state machine controls all acquisition and tracking operations of the CE6353 as well as controlling the tuner via a 2-wire bus. Any frequency range can be automatically scanned for digital TV channels. This mechanism ensures minimal interaction, maximum flexibility and fast acquisition - very low software overhead.

Also included in the design is a 7-bit ADC to detect the RF signal strength and thereby efficiently control the tuner RF AGC.

Users have access to all the relevant signal quality information, including input signal power level, signal-to-noise ratio, pre-Viterbi BER, post-Viterbi BER, and the uncorrectable block counts. The error rate monitoring periods are programmable over a wide range.

The device is packaged in a 10 x 10 mm 64-pin LQFP and is very low power.

Figure 1 - Block Diagram



Intel Corporation

Intel and the Intel logo are registered trademarks of Intel Corporation or its subsidiaries in the United States and other countries.

*Other names and brands may be claimed as the property of others. Copyright © 2006 Intel Corporation. All rights reserved.

Legal information

INFORMATION IN THIS DOCUMENT IS PROVIDED IN CONNECTION WITH INTEL PRODUCTS. NO LICENSE, EXPRESS OR IMPLIED, BY ESTOPPEL OR OTHERWISE, TO ANY INTELLECTUAL PROPERTY RIGHTS IS GRANTED BY THIS DOCUMENT. EXCEPT AS PROVIDED IN INTEL'S TERMS AND CONDITIONS OF SALE FOR SUCH PRODUCTS, INTEL ASSUMES NO LIABILITY WHATSOEVER, AND INTEL DISCLAIMS ANY EXPRESS OR IMPLIED WARRANTY, RELATING TO SALE AND/OR USE OF INTEL PRODUCTS INCLUDING LIABILITY OR WARRANTIES RELATING TO FITNESS FOR A PARTICULAR PURPOSE, MERCHANTABILITY, OR INFRINGEMENT OF ANY PATENT, COPYRIGHT OR OTHER INTELLECTUAL PROPERTY RIGHT.

Intel products are not intended for use in medical, life saving, life sustaining applications.

Intel may make changes to specifications and product descriptions at any time, without notice.

Designers must not rely on the absence or characteristics of any features or instructions marked "reserved" or "undefined." Intel reserves these for future definition and shall have no responsibility whatsoever for conflicts or incompatibilities arising from future changes to them.

This manual may contain design defects or errors known as errata, which may cause the product to deviate from published specifications. Current characterized errata are available on request.

This manual as well as the software described in it, is furnished under license and may only be used or copied in accordance with the terms of the license. The information in this document is furnished for informational use only, is subject to change without notice, and should not be construed as a commitment by Intel Corporation. Intel Corporation assumes no responsibility or liability for any errors or inaccuracies that may appear in this document or any software that may be provided in association with this document.

Except as permitted by such license, no part of this document may be reproduced, stored in a retrieval system, or transmitted in any form or by any means without the express written consent of Intel Corporation.

Contact your local Intel sales office or your distributor to obtain the latest specifications and before placing your product order.

Copies of documents which have an ordering number and are referenced in this document, or other Intel literature may be obtained by calling 1-800-548-4725 or by visiting Intel's website at <http://www.intel.com>.

BunnyPeople, Celeron, Celeron Inside, Centrino, Centrino logo, Chips, Core Inside, Dialogic, EtherExpress, ETOX, FlashFile, i386, i486, i960, iCOMP, InstantIP, Intel, Intel logo, Intel386, Intel486, Intel740, IntelDX2, IntelDX4, IntelSX2, Intel Core, Intel Inside, Intel Inside logo, Intel. Leap ahead., Intel. Leap ahead. logo, Intel NetBurst, Intel NetMerge, Intel NetStructure, Intel SingleDriver, Intel SpeedStep, Intel StrataFlash, Intel Viiiv, Intel XScale, IPLink, Itanium, Itanium Inside, MCS, MMX, MMX logo, Optimizer logo, OverDrive, Paragon, PDCharm, Pentium, Pentium II Xeon, Pentium III Xeon, Performance at Your Command, Pentium Inside, skool, Sound Mark, The Computer Inside., The Journey Inside, VTune, Xeon, Xeon Inside and Xircom are trademarks or registered trademarks of Intel Corporation or its subsidiaries in the United States and other countries.

MPEG is an international standard for video compression/decompression promoted by ISO. Implementations of MPEG CODECs, or MPEG enabled platforms may require licenses from various entities, including Intel Corporation.

*Other names and brands may be claimed as the property of others.

Copyright © 2006, Intel Corporation

TECHNICAL DOCUMENTATION - NOT FOR RESALE

Change History

| Issue | Date | Description |
|------------|---------------|---|
| D55752-002 | November 2006 | Added package drawing, minor corrections to pin outline drawing, removal of non-lead-free part numbers and improvements in the descriptions in electrical characteristics. Corrections to the current capability of the MPEG and STATUS outputs in the "Pin Description Table" on page 9 and the MOCLK output current in "DC Electrical Characteristics" on page 22*. |
| D55752-001 | April 2006 | Converted to Intel format |
| 1.00 | February 2005 | First issue of document |

*. Note that these are only corrections to bring the documentation in line with actual device performance, and do not imply any change to the CE6353 or to any applications.

Table of Contents

| | |
|---|-----------|
| Features | 1 |
| Applications | 1 |
| Description | 1 |
| Legal information | 2 |
| Change History | 2 |
| 1 Pin & Package Details..... | 7 |
| 1.1 Package dimensions..... | 7 |
| 1.2 Pin Outline | 7 |
| 1.3 Pin Allocation | 8 |
| 1.4 Pin Description..... | 9 |
| 2 Functional Description..... | 11 |
| 2.1 Analogue-to-Digital Converter | 12 |
| 2.2 Automatic Gain Control..... | 12 |
| 2.3 IF to Baseband Conversion | 12 |
| 2.4 Adjacent Channel Filtering | 13 |
| 2.5 Interpolation and Clock Synchronisation..... | 13 |
| 2.6 Carrier Frequency Synchronisation..... | 13 |
| 2.7 Symbol Timing Synchronisation..... | 13 |
| 2.8 Fast Fourier Transform..... | 13 |
| 2.9 Common Phase Error Correction | 13 |
| 2.10 Channel Equalisation | 13 |
| 2.11 Impulse Filtering..... | 13 |
| 2.12 Transmission Parameter Signalling (TPS)..... | 13 |
| 2.13 De-Mapper | 14 |
| 2.14 Symbol and Bit De-Interleaving..... | 14 |
| 2.15 Viterbi Decoder..... | 14 |
| 2.16 MPEG Frame Aligner | 14 |
| 2.17 De-interleaver | 14 |
| 2.18 Reed-Solomon Decoder | 14 |
| 2.19 De-scrambler | 14 |
| 2.20 MPEG Transport Interface..... | 14 |
| 3 Interfaces..... | 15 |
| 3.1 2-Wire Bus | 15 |
| 3.1.1 Host..... | 15 |
| 3.1.2 Tuner..... | 15 |
| 3.1.3 Examples of 2-wire bus messages..... | 16 |
| 3.1.4 Primary 2-wire bus timing..... | 16 |
| 3.2 MPEG..... | 17 |
| 3.2.1 Data Output Header Format..... | 17 |
| 3.2.2 MPEG Data Output Signals..... | 18 |
| 3.2.3 MPEG Output Timing | 18 |
| 3.2.4 MOCLKINV = 1 | 18 |
| 3.2.5 MOCLKINV = 0..... | 19 |
| 4 Electrical Characteristics | 21 |
| 4.1 Operating Conditions..... | 21 |
| 4.2 Absolute Maximum Ratings..... | 21 |
| 4.3 DC Electrical Characteristics..... | 22 |
| 4.4 AC Electrical Characteristics..... | 22 |
| 4.5 Crystal Specification and External Clocking | 23 |
| 4.5.1 Selection of External Components..... | 24 |
| 4.5.1.1 Loop Gain Equation..... | 24 |

Table of Contents

| | |
|---|-----------|
| 4.5.1.2 List of Equation Parameters | 24 |
| 4.5.1.3 Calculating Crystal Power Dissipation | 25 |
| 4.5.1.4 Capacitor Values | 25 |
| 4.5.1.5 Oscillator/Clock Application Notes | 25 |
| 5 Application Circuit..... | 27 |

List of Figures

| | |
|---|----|
| Figure 1 - Block Diagram | 1 |
| Figure 2 - Package dimensions | 7 |
| Figure 3 - Pin Outline | 7 |
| Figure 4 - OFDM Demodulator Diagram | 11 |
| Figure 5 - FEC Block Diagram | 12 |
| Figure 6 - Primary 2-Wire Bus Timing | 16 |
| Figure 7 - DVB Transport Packet Header Byte | 17 |
| Figure 8 - MPEG Output Data Waveforms | 18 |
| Figure 9 - MPEG Timing - MOCLKINV = 1 | 19 |
| Figure 10 - MPEG Timing - MOCLKINV = 0 | 19 |
| Figure 11 - V_{IN} & \bar{V}_{IN} equivalent circuit for inputs | 23 |
| Figure 12 - V_{IN} & \bar{V}_{IN} input impedance (approximate) | 23 |
| Figure 13 - RFLEV equivalent circuit for input | 23 |
| Figure 14 - Crystal Oscillator Circuit | 24 |
| Figure 15 - External Clocking | 26 |
| Figure 16 - Typical Application Circuit | 27 |

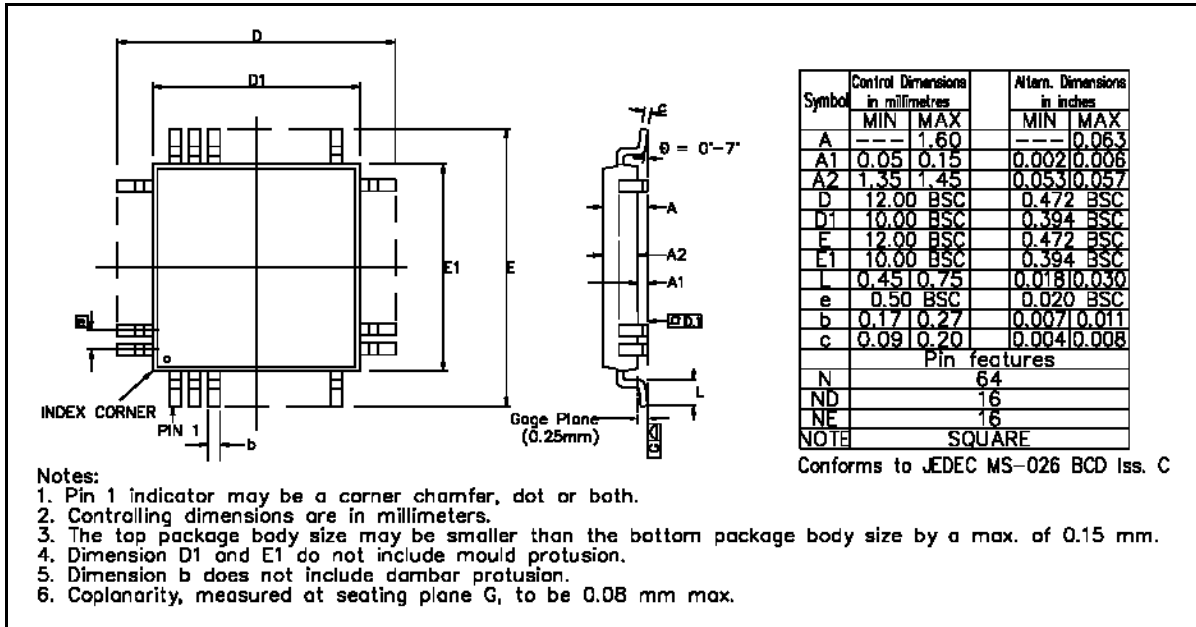
List of Tables

| | |
|--|----|
| Table 1 - Pin Names - numeric | 8 |
| Table 2 - Pin Names - alphabetical order | 8 |
| Table 3 - 2-wire bus address | 15 |
| Table 4 - Timing of 2-Wire Bus | 17 |

1 Pin & Package Details

1.1 Package dimensions

Figure 2 - Package dimensions

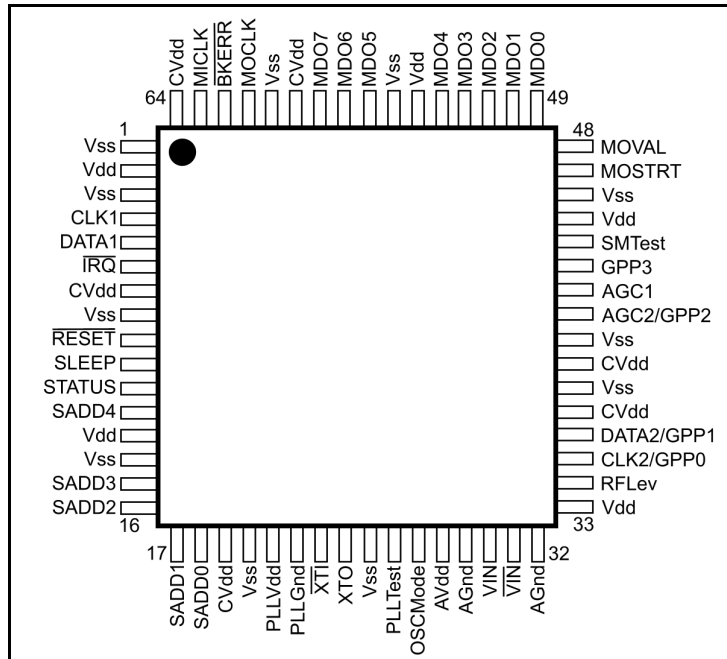


Notes:

1. Pin 1 indicator may be a corner chamfer, dot or both.
2. Controlling dimensions are in millimeters.
3. The top package body size may be smaller than the bottom package body size by a max. of 0.15 mm.
4. Dimension D1 and E1 do not include mould protrusion.
5. Dimension b does not include dambar protrusion.
6. Coplanarity, measured at seating plane G, to be 0.08 mm max.

1.2 Pin Outline

Figure 3 - Pin Outline



1.3 Pin Allocation

Table 1 - Pin Names - numeric

| Pin | Function | Pin | Function | Pin | Function | Pin | Function |
|-----|---------------------------|-----|-------------------------|-----|------------|-----|---------------------------|
| 1 | Vss | 17 | SADD1 | 33 | Vdd | 49 | MDO0 |
| 2 | Vdd | 18 | SADD0 | 34 | RFLEV | 50 | MDO1 |
| 3 | Vss | 19 | CVdd | 35 | CLK2/GPP0 | 51 | MDO2 |
| 4 | CLK1 | 20 | Vss | 36 | DATA2/GPP1 | 52 | MDO3 |
| 5 | DATA1 | 21 | PLLvdd | 37 | CVdd | 53 | MDO4 |
| 6 | $\overline{\text{IRQ}}$ | 22 | PLLgnd | 38 | Vss | 54 | Vdd |
| 7 | CVdd | 23 | $\overline{\text{XTI}}$ | 39 | CVdd | 55 | Vss |
| 8 | Vss | 24 | XTO | 40 | Vss | 56 | MDO5 |
| 9 | $\overline{\text{RESET}}$ | 25 | Vss | 41 | AGC2/GPP2 | 57 | MDO6 |
| 10 | SLEEP | 26 | PLLTEST | 42 | AGC1 | 58 | MDO7 |
| 11 | STATUS | 27 | OSCMODE | 43 | GPP3 | 59 | CVdd |
| 12 | SADD4 | 28 | AVdd | 44 | SMTEST | 60 | Vss |
| 13 | Vdd | 29 | AGnd | 45 | Vdd | 61 | MOCLK |
| 14 | Vss | 30 | VIN | 46 | Vss | 62 | $\overline{\text{BKERR}}$ |
| 15 | SADD3 | 31 | $\overline{\text{VIN}}$ | 47 | MOSTRT | 63 | MICLK |
| 16 | SADD2 | 32 | AGnd | 48 | MOVAL | 64 | CVdd |

Table 2 - Pin Names - alphabetical order

| Function | Pin | Function | Pin | Function | Pin | Function | Pin |
|---------------------------|-----|-------------------------|-----|---------------------------|-----|-------------------------|-----|
| AGC1 | 42 | GPP3 | 43 | PLLTEST | 26 | Vdd | 54 |
| AGC2/GPP2 | 41 | $\overline{\text{IRQ}}$ | 6 | PLLvdd | 21 | VIN | 30 |
| AGnd | 29 | MDO0 | 49 | $\overline{\text{RESET}}$ | 9 | $\overline{\text{VIN}}$ | 31 |
| AGnd | 32 | MDO1 | 50 | RFLEV | 34 | Vss | 1 |
| AVdd | 28 | MDO2 | 51 | SADD0 | 18 | Vss | 3 |
| $\overline{\text{BKERR}}$ | 62 | MDO3 | 52 | SADD1 | 17 | Vss | 8 |
| CLK1 | 4 | MDO4 | 53 | SADD2 | 16 | Vss | 14 |
| CLK2/GPP0 | 35 | MDO5 | 56 | SADD3 | 15 | Vss | 20 |
| CVdd | 7 | MDO6 | 57 | SADD4 | 12 | Vss | 25 |
| CVdd | 19 | MDO7 | 58 | SLEEP | 10 | Vss | 38 |
| CVdd | 37 | MICLK | 63 | SMTEST | 44 | Vss | 40 |
| CVdd | 39 | MOCLK | 61 | STATUS | 11 | Vss | 46 |
| CVdd | 59 | MOSTRT | 47 | Vdd | 2 | Vss | 55 |
| CVdd | 64 | MOVAL | 48 | Vdd | 13 | Vss | 60 |
| DATA1 | 5 | OSCMODE | 27 | Vdd | 33 | $\overline{\text{XTI}}$ | 23 |
| DATA2/GPP1 | 36 | PLLgnd | 22 | Vdd | 45 | XTO | 24 |

1.4 Pin Description

Pin Description Table

| Pin No | Name | Pin Description | I/O | Type | V | mA |
|-----------------------|---------------------------|--------------------------------|-----|---------------|------------|----|
| MPEG pins | | | | | | |
| 47 | MOSTRT | MPEG packet start | 0 | CMOS Tristate | 3.3 | 2 |
| 48 | MOVAL | MPEG data valid | 0 | | 3.3 | |
| 49-53, 56-58 | MDO(0:4)/MDO(5:7) | MPEG data bus | 0 | | 3.3 | |
| 61 | MOCLK | MPEG clock out | 0 | | 3.3 | 12 |
| 62 | $\overline{\text{BKERR}}$ | Block error | 0 | | 3.3 | 2 |
| 63 | MICLK | MPEG clock in | 1 | CMOS | 3.3 | |
| 11 | STATUS | Status output | 0 | | 3.3 | 2 |
| 6 | $\overline{\text{IRQ}}$ | Interrupt output | 0 | Open drain | 5 | 6 |
| Control pins | | | | | | |
| 4 | CLK1 | Serial clock | 1 | CMOS | 5 | |
| 5 | DATA1 | Serial data | I/O | Open drain | 5 | 6 |
| 23 | $\overline{\text{XTI}}$ | Low phase noise oscillator | 1 | CMOS | | |
| 24 | XTO | | 0 | | | |
| 10 | SLEEP | Device power down | 1 | | 3.3 | |
| 12, 15-18 | SADD(4:0) | Serial address set | 1 | | 3.3 | |
| 44 | SMTEST | Production test (only set low) | 1 | | 3.3 | |
| 35 | CLK2/GPP0 | Serial clock tuner | I/O | | Open drain | 5 |
| 36 | DATA2/GPP1 | Serial data tuner | I/O | 5 | | 6 |
| 42 | AGC1 | Primary AGC | 0 | 5 | | 6 |
| 41 | AGC2/GPP2 | Secondary AGC | I/O | 5 | | 6 |
| 43 | GPP(3) | General purpose I/O | I/O | 5 | | 6 |
| 9 | $\overline{\text{RESET}}$ | Device reset | 1 | CMOS | 5 | |
| 27 | OSCMODE | Crystal oscillator mode | 1 | CMOS | 3.3 | |
| 26 | PLLTEST | PLL analog test | 0 | (tristated) | | |
| Analog inputs | | | | | | |
| 30 | VIN | positive input | 1 | | | |
| 31 | $\overline{\text{VIN}}$ | negative input | 1 | | | |
| 34 | RFLEV | RF level | 1 | | | |
| Supply pins | | | | | | |
| 21 | PLLVdd | PLL supply | S | | 1.8 | |
| 22 | PLLGnd | | S | | 0 | |
| 7, 19, 37, 39, 59, 64 | CVdd | Core logic power | S | | 1.8 | |
| 2, 13, 45, 54, | Vdd | I/O ring power | S | | 3.3 | |

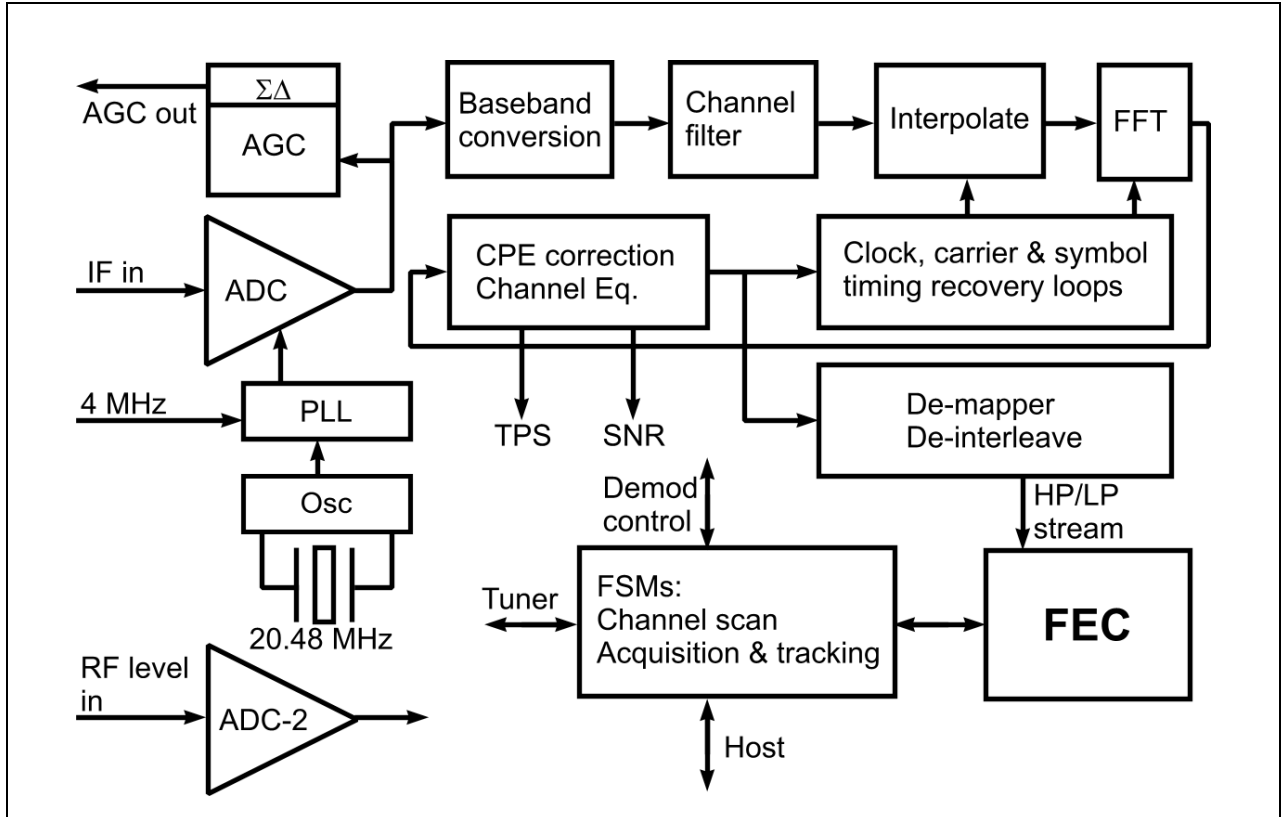
Pin Description Table (continued)

| Pin No | Name | Pin Description | I/O | Type | V | mA |
|--|------|---------------------|-----|------|-----|----|
| 1, 3, 8, 14, 20, 25, 38, 40, 46, 55, 60 | Vss | Core and I/O ground | S | | 0 | |
| 28 | AVdd | ADC analog supply | S | | 1.8 | |
| 29, 32 | AGnd | | S | | 0 | |
| 33 | Vdd | 2nd ADC supply | S | | 3.3 | |

2 Functional Description

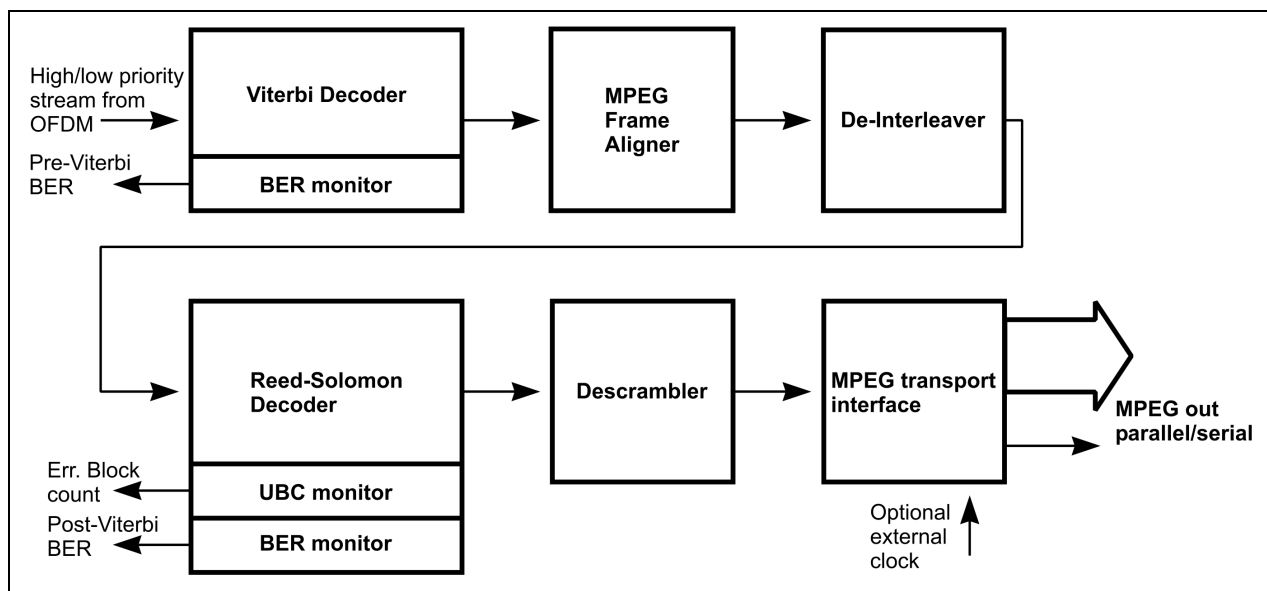
A functional block diagram of the CE6353 OFDM demodulator is shown in Figure 4. This accepts an IF analogue signal and delivers a stream of demodulated soft decision data to the on-chip Viterbi decoder. Clock, timing and frequency synchronization operations are all digital and there are no analogue control loops except the AGC. The frequency capture range is large enough for all practical applications. This demodulator has novel algorithms to combat impulse noise as well as co-channel and adjacent channel interference. If the modulation is hierarchical, the OFDM outputs both high and low priority data streams. Only one of these streams is FEC-decoded, but the FEC can be switched from one stream to another with minimal interruption to the transport stream.

Figure 4 - OFDM Demodulator Diagram



The FEC module shown in Figure 5 consists of a concatenated convolutional (Viterbi) and Reed-Solomon decoder separated by a depth-12 convolutional de-interleaver. The Viterbi decoder operates on 5-bit soft decisions to provide the best performance over a wide range of channel conditions. The trace-back depth of 128 ensures minimum loss of performance due to inevitable survivor truncation, especially at high code rates. Both the Viterbi and Reed-Solomon decoders are equipped with bit-error monitors. The former provides the bit error rate (BER) at the OFDM output. The latter is the more useful measure as it gives the Viterbi output BER. The error collecting intervals of these are programmable over a very wide range.

Figure 5 - FEC Block Diagram



The FSM controller shown in Figure 4 controls both the demodulator and the FEC. It also drives the 2-wire bus to the tuner. The controller facilitates the automated search of all parameters or any sub-set of parameters of the received signal. It can also be used to scan any defined frequency range searching for OFDM channels. This mechanism provides the fast channel scan and acquisition performance, whilst requiring minimal software overhead in the host driver.

The algorithms and architectures used in the CE6353 have been optimized to minimize power consumption.

2.1 Analogue-to-Digital Converter

The CE6353 has a high performance 10-bit analogue-to-digital converter (ADC) which can sample a 6, 7 or 8 MHz bandwidth OFDM signal, with its spectrum centred at:

- 36.17 MHz IF
- 43.75 MHz IF
- 5 - 10 MHz near-zero IF

An on-chip programmable phase locked loop (PLL) is used to generate the ADC sampling clock. The PLL is highly programmable allowing a wide choice of sampling frequencies to suit any IF frequency, and all signal bandwidths.

2.2 Automatic Gain Control

An AGC module compares the absolute value of the digitized signal with a programmable reference. The error signal is filtered and is used to control the gain of the amplifier. A sigma-delta modulated output is provided, which has to be RC low-pass filtered to obtain the voltage to control the amplifier.

The programmable AGC reference has been optimized. A large value for the reference leads to excessive ADC clipping and a small value results in excessive quantization noise. Hence the optimum value has been determined assuming the input signal amplitude to be Gaussian distributed. The latter is justified by applying the central limit theorem in statistics to the OFDM signal, which consists of a large number of randomly modulated carriers. This reference or target value may have to be lowered slightly for some applications. Slope control bits have been provided for the AGCs and these have to be set correctly depending on the gain-versus-voltage slope of the gain control amplifiers.

The bandwidth of the AGC is set to a large value for quick acquisition then reduced to a small value for tracking. The AGC is free running during OFDM channel changes and locks to the new channel while the tuner lock is being established. This is one of the features of CE6353 used to minimize acquisition time. A robust AGC lock mechanism is provided and the other parts of the CE6353 begin to acquire only after the AGC has locked.

2.3 IF to Baseband Conversion

Sampling a 36.17 MHz IF signal at 45 MHz results in a spectrally inverted OFDM signal centred at approximately 8.9 MHz. The first step of the demodulation process is to convert this signal to a complex (in-phase and quadrature) signal in baseband. A correction for spectral inversion is implemented during this conversion process. Note also that the CE6353 has control mechanisms to search automatically for an unknown spectral inversion status.

2.4 Adjacent Channel Filtering

Adjacent channels, in particular the Nicam digital sound signal associated with analogue channels, are filtered prior to the FFT.

2.5 Interpolation and Clock Synchronisation

CE6353 uses digital timing recovery and this eliminates the need for an external VCXO. The ADC samples the signal at a fixed rate, for example, 45.056 MHz. Conversion of the 45.056 MHz signal to the OFDM sample rate is achieved using the time-varying interpolator. The OFDM sample rate is 64/7 MHz for 8 MHz and this is scaled by factors 6/8 and 7/8 for 6 and 7 MHz channel bandwidths. The nominal ratio of the ADC to OFDM sample rate is programmed in a CE6353 register (defaults are for 45 MHz sampling and 8 MHz OFDM). The clock recovery phase locked loop in the CE6353 compensates for inaccuracies in this ratio due to uncertainties of the frequency of the sampling clock.

2.6 Carrier Frequency Synchronisation

There can be frequency offsets in the signal at the input to OFDM, partly due to tuner step size and partly due to broadcast frequency shifts, typically 1/6 MHz. These are tracked out digitally, up to 1 MHz in 2 K and 8 K modes, without the need for an analogue frequency control (AFC) loop.

The default frequency capture range has been set to ± 286 kHz in the 2 K and 8 K mode. However, these values can be increased, if necessary, by programming an on-chip register (see details in the design manual). It is recommended that a larger capture range be used for channel scan in order to find channels with broadcast frequency shifts, without having to adjust the tuner. After the OFDM module has locked (the AFC will have been previously disabled), the frequency offset can be read from an on-chip register.

2.7 Symbol Timing Synchronisation

This module computes the optimum sample position to trigger the FFT in order to eliminate or minimize inter-symbol interference in the presence of multi-path distortion. Furthermore, this trigger point is continuously updated to dynamically adapt to time-variations in the transmission channel.

2.8 Fast Fourier Transform

The FFT module uses the trigger information from the timing synchronization module to set the start point for an FFT. It then uses either a 2 K or 8 K FFT to transform the data from the time domain to the frequency domain. An extremely hardware-efficient and highly accurate algorithm has been used for this purpose.

2.9 Common Phase Error Correction

This module subtracts the common phase offset from all the carriers of the OFDM signal to minimize the effect of the tuner phase noise on system performance.

2.10 Channel Equalisation

This consists of two parts. The first part involves estimating the channel frequency response from pilot information. Efficient algorithms have been used to track time-varying channels with a minimum of hardware.

The second part involves applying a correction to the data carriers based on the estimated frequency response of the channel. This module also generates dynamic channel state information (CSI) for every carrier in every symbol.

2.11 Impulse Filtering

CE6353 contains several mechanisms to reduce the impact of impulse noise on system performance.

2.12 Transmission Parameter Signalling (TPS)

An OFDM frame consists of 68 symbols and a superframe is made up of four such frames. There is a set of TPS carriers in every symbol and all these carry one bit of TPS. These bits, when combined, include information about the transmission mode, guard ratio, constellation, hierarchy and code rate, as defined in ETS 300 744. In addition, the first eight bits of the cell identifier are contained in even frames and the second eight bits of the cell identifier are in odd frames. The TPS module extracts all the TPS data, and presents these to the host processor in a structured manner.

2.13 De-Mapper

This module generates soft decisions for demodulated bits using the channel-equalized in-phase and quadrature components of the data carriers as well as per-carrier channel state information (CSI). The de-mapping algorithm depends on the constellation (QPSK, 16 QAM or 64 QAM) and the hierarchy ($\alpha = 0, 1, 2$ or 4). Soft decisions for both low- and high-priority data streams are generated.

2.14 Symbol and Bit De-Interleaving

The OFDM transmitter interleaves the bits within each carrier and also the carriers within each symbol. The de-interleaver modules consist largely of memory to invert these interleaving functions and present the soft decisions to the FEC in the original order.

2.15 Viterbi Decoder

The Viterbi decoder accepts the soft decision data from the OFDM demodulator and outputs a decoded bit-stream. The decoder does the de-puncturing of the input data for all code rates other than 1/2. It then evaluates the branch metrics and passes these to a 64-state path-metric updating unit, which in turn outputs a 64-bit word to the survivor memory. The Viterbi decoded bits are obtained by tracing back the survivor paths in this memory. A trace-back depth of 128 is used to minimize any loss in performance, especially at high code rates.

The decoder re-encodes the decoded bits and compares these with received data (delayed) to compute bit errors at its input, on the assumption that the Viterbi output BER is significantly lower than its input BER.

2.16 MPEG Frame Aligner

The Viterbi decoded bit stream is aligned into 204-byte frames. A robust synchronization algorithm is used to ensure correct lock and to prevent loss of lock due to noise impulses.

2.17 De-interleaver

Errors at the Viterbi output occur in bursts and the function of the de-interleaver is to spread these errors over a number of 204-byte frames to give the Reed-Solomon decoder a better chance of correcting these. The de-interleaver is a memory unit which implements the inverse of the convolutional interleaving function introduced by the transmitter.

2.18 Reed-Solomon Decoder

Every 188-byte transport packet is encoded by the transmitter into a 204-byte frame, using a truncated version of a systematic (255,239) Reed-Solomon code. The corresponding (204,188) Reed-Solomon decoder is capable of correcting up to eight byte errors in a 204-byte frame. It may also detect frames with more than eight byte errors.

In addition to efficiently performing this decoding function, the Reed-Solomon decoder in CE6353 keeps a count of the number of bit errors corrected over a programmable period and the number of uncorrectable blocks. This information can be used to compute the post-Viterbi BER.

2.19 De-scrambler

The de-scrambler de-randomizes the Reed-Solomon decoded data by generating the exclusive-OR of this with a pseudo-random bit sequence (PRBS). This outputs 188-byte MPEG transport packets. The TEI bit of the packet header may be set if required to indicate uncorrectable packets.

2.20 MPEG Transport Interface

MPEG data can be output in parallel or serial mode. The output clock frequency is automatically chosen to present the MPEG data as uniformly spaced as possible to the transport processor. This frequency depends on the guard ratio, constellation, hierarchy and code rate. There is also an option for the data to be extracted from the with a clock provided by the user.

3 Interfaces

3.1 2-Wire Bus

3.1.1 Host

The primary 2-wire bus serial interface uses pins:

- DATA1 (pin5) serial data, the most significant bit is sent first.
- CLK1 (pin 4) serial clock.

The 2-wire bus address is determined by a combination of internal settings and applying Vdd or Gnd to the SADD[4:0] pins:

Table 3 - 2-wire bus address

| Address bits | ADDR[7] | ADDR[6] | ADDR[5] | ADDR[4] | ADDR[3] | ADDR[2] | ADDR[1] |
|----------------------------|---------|---------|---------|---------|---------|---------|---------|
| Internal/external settings | Gnd | Gnd | SADD[4] | SADD[3] | SADD[2] | SADD[1] | SADD[0] |
| Normal TNIM settings | Gnd | Gnd | Gnd | Vdd | Vdd | Vdd | Vdd |

When the CE6353 is powered up, the $\overline{\text{RESET}}$ pin 9 should be held low for at least 50 ms after Vdd has reached normal operation levels. As the $\overline{\text{RESET}}$ pin goes high, the logic levels on SADD[4:0] are latched as the 2-wire bus address. ADDR[0] is the R/ $\overline{\text{W}}$ bit.

The circuit works as a slave transmitter with the lsb set high or as a slave receiver with the lsb set low. In receive mode, the first data byte is written to the RADD virtual register, which forms the register sub-address. The RADD register takes an 8-bit value that determines which of 256 possible register addresses is written to by the following byte. Not all addresses are valid and many are reserved registers that must not be changed from their default values. Multiple byte reads or writes will auto-increment the value in RADD, but care should be taken not to access the reserved registers accidentally.

Following a valid chip address, the 2-wire bus STOP command resets the RADD register to 00. If the chip address is not recognized, the CE6353 will ignore all activity until a valid chip address is received. The 2-wire bus START command does NOT reset the RADD register to 00. This allows a combined 2-wire bus message, to point to a particular read register with a write command, followed immediately with a read data command. If required, this could next be followed with a write command to continue from the latest address. RADD would not be sent in this case. Finally, a STOP command should be sent to free the bus.

When the 2-wire bus is addressed (after a recognized STOP command) with the read bit set, the first byte read out is the contents of register 00.

3.1.2 Tuner

The CE6353 has a General Purpose Port that can be configured to provide a secondary 2-wire bus.

Master control mode is selected by setting register SCAN_CTL (0x62) [b3] = 1.

The allocation of the pins is: GPP0 pin 35 = CLK2*, GPP1 pin 36 = DATA2.

*. Please note that in this configuration, this pin is an output only and therefore does not allow a clock-hold function in the slave device.

3.1.3 Examples of 2-wire bus messages:

| | | | | |
|------|----------------|-----------------|------|------------------|
| KEY: | S | Start condition | W | Write (= 0) |
| | P | Stop condition | R | Read (= 1) |
| | A | Acknowledge | NA | NOT Acknowledge |
| | <i>Italics</i> | CE6353 output | RADD | Register Address |

Write operation - as a slave receiver:

| | | | | | | | | | | |
|---|----------------|---|---|----------|---|--------------|---|----------------|---|---|
| S | DEVICE ADDRESS | W | A | RADD (n) | A | DATA (reg n) | A | DATA (reg n+1) | A | P |
|---|----------------|---|---|----------|---|--------------|---|----------------|---|---|

Read operation - CE6353 as a slave transmitter:

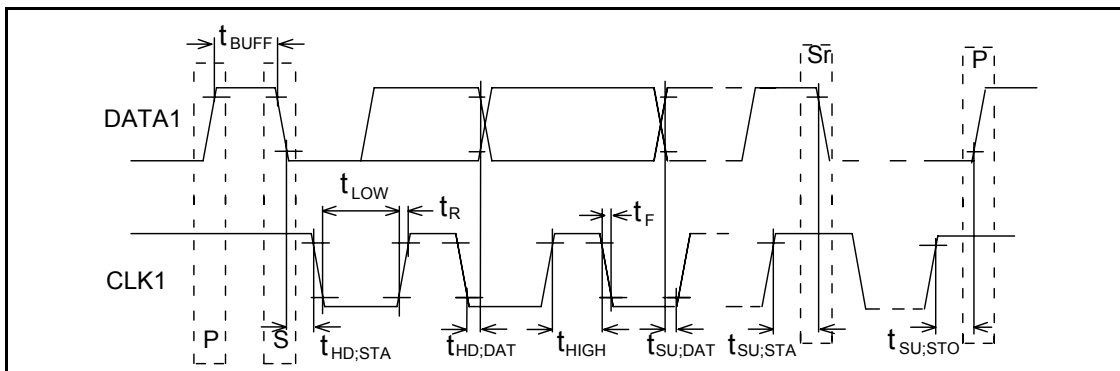
| | | | | | | | | | | |
|---|----------------|---|---|--------------|---|--------------|---|--------------|----|---|
| S | DEVICE ADDRESS | R | A | DATA (reg 0) | A | DATA (reg 1) | A | DATA (reg 2) | NA | P |
|---|----------------|---|---|--------------|---|--------------|---|--------------|----|---|

Write/read operation with repeated start - CE6353 as a slave transmitter:

| | | | | | | | | | | | | | | |
|---|----------------|---|---|----------|---|---|----------------|---|---|--------------|---|----------------|----|---|
| S | DEVICE ADDRESS | W | A | RADD (n) | A | S | DEVICE ADDRESS | R | A | DATA (reg n) | A | DATA (reg n+1) | NA | P |
|---|----------------|---|---|----------|---|---|----------------|---|---|--------------|---|----------------|----|---|

3.1.4 Primary 2-wire bus timing

Figure 6 - Primary 2-Wire Bus Timing



Where: S = Start
 Sr = Restart, i.e., start without stopping first.
 P = Stop.

Table 4 - Timing of 2-Wire Bus

| Parameter | Symbol | Values with 4MHz clock | | Values with 20.48 MHz clock* | | Unit |
|--|--------------|------------------------|------|------------------------------|------|---------|
| | | Min. | Max. | Min. | Max. | |
| CLK clock frequency (Primary) | f_{CLK} | 0 | 100 | 0 | 400 | kHz |
| Bus free time between a STOP and START condition. | t_{BUFF} | 4.7 | | 1.3 | | μs |
| Hold time (repeated) START condition. | $t_{HD,STA}$ | 4.0 | | 0.6 | | μs |
| LOW period of CLK clock. | t_{LOW} | 4.7 | | 1.3 | | μs |
| HIGH period of CLK clock. | t_{HIGH} | 4.0 | | 0.6 | | μs |
| Set-up time for a repeated START condition. | $t_{SU,STA}$ | 4.7 | | 0.6 | | μs |
| Data hold time (when input). | $t_{HD,DAT}$ | 0 | 3.45 | 0 | 0.9 | μs |
| Data set-up time | $t_{SU,DAT}$ | 250 | | 100 | | ns |
| Rise time of both CLK and DATA signals. | t_R | | 1000 | $20 + 0.1C_b^\dagger$ | 300 | ns |
| Fall time of both CLK and DATA signals, (100pF to ground). | t_F | | 300 | $20 + 0.1C_b^\dagger$ | 300 | ns |
| Set-up time for a STOP condition. | $t_{SU,STO}$ | 4.0 | | 0.6 | | μs |

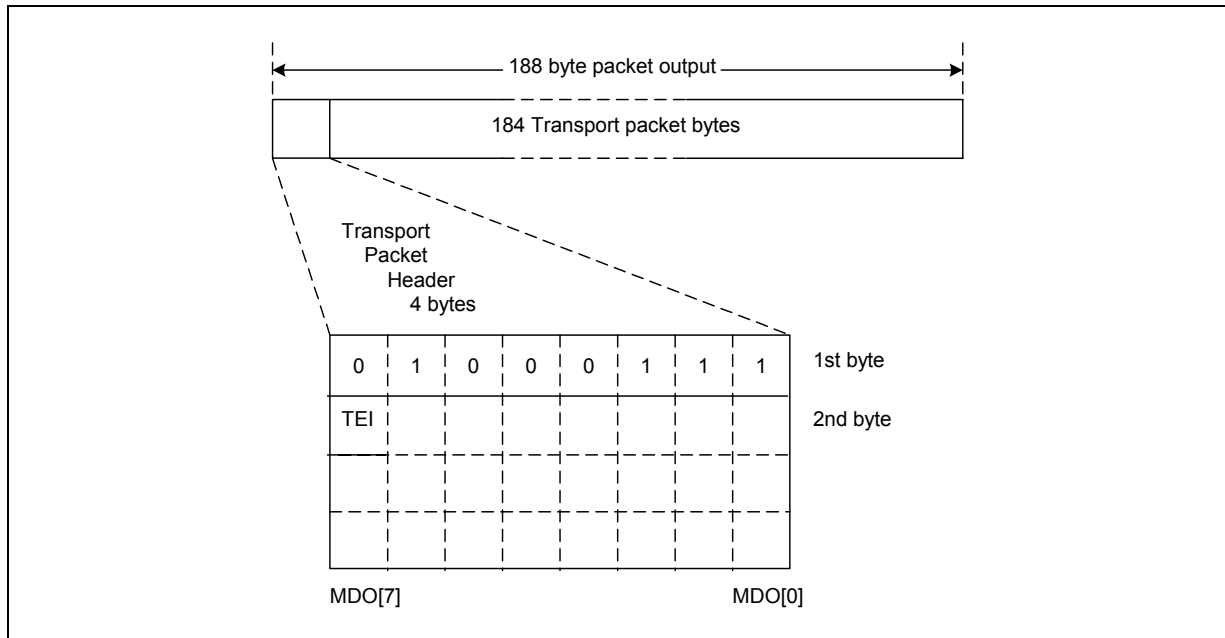
*. Or 27.00 MHz clock

†. C_b = the total capacitance on either clock or data line in pF to maximum of 400pF.

3.2 MPEG

3.2.1 Data Output Header Format

Figure 7 - DVB Transport Packet Header Byte



After decoding the 188-byte MPEG packet, it is output on the MDO pins in 188 consecutive clock cycles.

Additionally when the TEI_En bit in the OP_CTRL_0 register (0x5A) is set high (default), the TEI bit of any uncorrectable packet will automatically be set to '1'. If TEI_En bit is low then TEI bit will not be changed (but note that if this bit is already 1, for example, due to a channel error which has not been corrected, it will remain high at output).

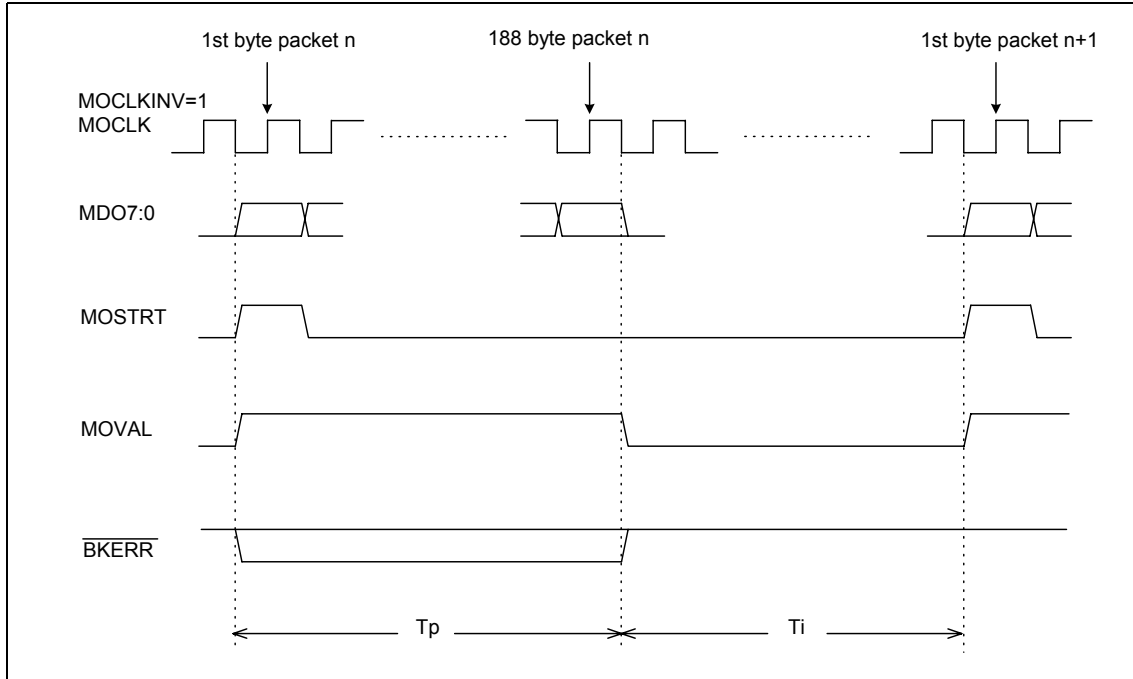
3.2.2 MPEG Data Output Signals

The $\overline{\text{MPEGEN}}$ bit in the CONFIG register must be set low to enable the MPEG data. The maximum movement in the packet synchronization byte position is limited to ± 1 output clock period. MOCLK will be a continuously running clock once symbol lock has been achieved, and is derived from the symbol clock. MOCLK is shown in Figure 8 with MOCLKINV = '1', the default state, see register 0x50.

All output data and signals (MDO[7:0], MOSTRT, MOVAL & $\overline{\text{BKERR}}$) change on the negative edge of MOCLK (MOCLKINV = 1) to present stable data and signals on the positive edge of the clock.

A complete packet is output on MDO[7:0] on 188 consecutive clocks and the MDO[7:0] pins will remain low during the inter-packet gaps. MOSTRT goes high for the first byte clock of a packet. MOVAL goes high on the first byte of a packet and remains high until the last byte has been clocked out. $\overline{\text{BKERR}}$ goes low on the first byte of a packet where uncorrectable bytes are detected and will remain low until the last byte has been clocked out.

Figure 8 - MPEG Output Data Waveforms



3.2.3 MPEG Output Timing

Maximum delay conditions: $V_{dd} = 3.0V$, $CV_{dd} = 1.62V$, $T_{amb} = 80^{\circ}C$, Output load = 10pF.

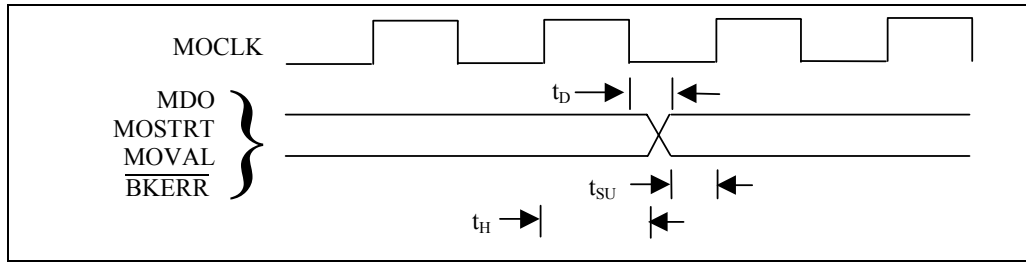
Minimum delay conditions: $V_{dd} = 3.6V$, $CV_{dd} = 1.98V$, $T_{amb} = -10^{\circ}C$, Output load = 10pF.

MOCLK frequency = 45.06 MHz.

3.2.4 MOCLKINV = 1

| Parameter | Delay conditions | | Units |
|-------------------------|------------------|---------|-------|
| | Maximum | Minimum | |
| Data output delay t_D | 3.0 | 1.0 | ns |
| Setup Time t_{SU} | 7.0 | 10.0 | |
| Hold Time t_H | 7.0 | 10.0 | |

Figure 9 - MPEG Timing - MOCLKINV = 1



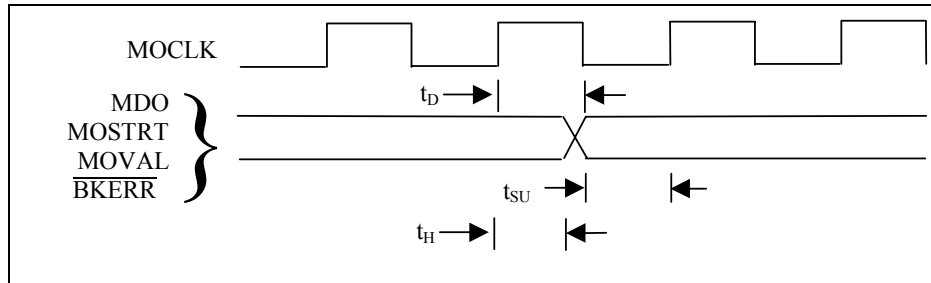
3.2.5 MOCLKINV = 0

MDOSWAP = 0

| Parameter | Delay Conditions | | Units |
|-------------------------|------------------|---------|-------|
| | Maximum | Minimum | |
| Data output delay t_D | 3.0 | 1.0 | ns |
| Setup Time t_{SU} | 18.0 | 20.0 | |
| Hold Time t_H | 1.0 | 0.2 | |

The hold time is better when MOCLKINV = 1, therefore this should be used if possible.

Figure 10 - MPEG Timing - MOCLKINV = 0



4 Electrical Characteristics

4.1 Operating Conditions

Recommended Operating Conditions

| Parameter | Symbol | Min. | Typ. | Max. | Units | |
|--|------------------|------------------|-------|-------|-------|------|
| Power supply voltage: | periphery | Vdd | 3.0 | 3.3 | 3.6 | V |
| | core | CVdd | 1.62 | 1.8 | 1.98 | V |
| Power supply current: | periphery * | Idd _p | | 1 | | mA |
| | core | Idd _c | | 170 | | mA † |
| Input clock frequency ‡ | XTI | 16.00 | 20.48 | 25.00 | MHz | |
| CLK1 primary serial clock frequency ** | f _{CLK} | | | 400 | kHz | |
| Ambient operating temperature | | -10 | | 80 | °C | |

*. Current from the 3.3 V supply will be mainly dependent on the external loads.

†. Current given is for optimum performance, lower current is possible with reduced performance.

‡. The min/max frequencies given are those supported by the oscillator cell. Required system frequencies are as defined in the design manual. Frequencies outside these limits are acceptable with an external clock signal.

** . If operating with an external 4 MHz clock, the serial clock frequency is reduced to 100 kHz maximum.

4.2 Absolute Maximum Ratings

Maximum Operating Conditions

| Parameter | Symbol | Min. | Max. | Unit | Conditions |
|--|--------|-----------|------------|------|----------------|
| Power supply | Vdd | -0.3 | +3.6 | V | |
| | CVdd | | +2.0 | V | |
| Voltage on input pins (5 V rated) | VI | | 5.5 | V | |
| Voltage on input pins (3.3 V rated) | | | Vdd + 0.3 | V | |
| Voltage on analog input pins (VIN & \overline{VIN}) | | | V | V | Pin 33 = Vdd |
| Voltage on analog input pins (VIN & \overline{VIN}) | | | CVdd + 0.3 | V | Pin 33 = CVdd* |
| Voltage on output pins (5 V rated) | VO | | 5.5 | V | |
| Voltage on output pins (3.3V rated) | | Vdd + 0.3 | V | | |
| ESD ratings (all pins): | | | | | |
| HBM | | ±2000 | | V | |
| CDM | | ±800 | | V | |
| Storage temperature | TSTG | -55 | 150 | °C | |
| Operating ambient temperature | TOP | -10 | 80 | °C | |
| Junction temperature | TJ | | 125 | °C | |

*. this condition will only occur if CE6353 is being used in a board originally designed for the MT352. All other applications should have Vdd (3V3) on this pin.

Note: Stresses exceeding these listed under absolute maximum ratings may induce failure. Exposure to absolute maximum ratings for extended periods may reduce reliability. Functionality at or above these conditions is not implied.

4.3 DC Electrical Characteristics

DC Electrical Characteristics

| Parameter | Conditions | Pins | Symbol | Min. | Typ. | Max. | Unit |
|----------------------------|--|--|------------------|------|------|------|------|
| Operating voltage | | | V _{dd} | 3.0 | 3.3 | 3.6 | V |
| | | | | | | | |
| | | | | | | | |
| | | | | | | | |
| | | | | | | | |
| Supply current * | 1.62 ≥ CV _{dd} ≥ 1.98 | | I _{ddC} | | 170 | | mA |
| Supply current sleep mode | | | | | 300 | | μA |
| Outputs | | | | | | | |
| Output levels | IOH 2mA 3.0 ≥ V _{dd} ≥ 3.6 | MDO(7:0), MOVAL, MOSTRT, STATUS, BKERR | VOH | 2.4 | | | V |
| | | | VOL | | | 0.4 | V |
| | IOH 12mA 3.0 ≥ V _{dd} ≥ 3.6 | MOCLK | VOH | 2.4 | | | V |
| | | | VOL | | | 0.4 | V |
| | IOL 6mA 3.0 ≥ V _{dd} ≥ 3.6 | GPP(3:0), DATA1, AGC1, AGC2, IRQ | VOL | | | 0.4 | V |
| Output capacitance | Not including track | MDO(7:0), MOVAL, MOSTRT, MOCLK, STATUS, BKERR | | | 3.0 | | pF |
| | | GPP(3:0), DATA1, AGC1, AGC2, IRQ | | | 3.6 | | pF |
| Output leakage (tri-state) | | | | | | 1 | μA |
| Inputs | | | | | | | |
| Input levels | 3.0 ≥ V _{dd} ≥ 3.6 -0.5 ≥ V _{in} ≥ V _{dd} +0.5V | MICLK, SADD(4:0)SLEEP, OSCMODE | VIH | 2.0 | | | V |
| Input levels | 3.0 ≥ V _{dd} ≥ 3.6 -0.5 ≥ V _{in} ≥ +5.5V | GPP(3:0), CLK1, DATA1, RESET | VIH | 2.0 | | | V |
| Input levels | 3.0 ≥ V _{dd} ≥ 3.6 | All inputs | VIL | | | 0.8 | V |
| Input leakage Current | | | | | | | |
| Input capacitance | Capacitances do not include track | | | | | 1.8 | pF |
| Input capacitance | | SADD(4:0), DATA1, GPP(3:0) | | | | 3.6 | pF |

*. Current given is for optimum performance, lower current is possible with reduced performance.

4.4 AC Electrical Characteristics

AC Electrical Characteristics

| Parameter | Conditions | Pins | Min. | Typ. | Max. | Unit | Notes |
|-----------------|---|-------------|------|------|-----------------|------------------|--|
| Analogue Inputs | | | | | | | |
| Input levels | 3.0 ≥ V _{dd} ≥ 3.6 -0.5 ≥ V _{in} ≥ V _{dd} +0.5V | VIN and VIN | | 0.8* | | V _{p-p} | Nominal conditions for all 1's on the ADC outputs. [†] See Figure 11 for more detail. |
| | 3.0 ≥ V _{dd} ≥ 3.6 -0.5 ≥ V _{in} ≥ +5.5V | RFLEV | 0.0 | | V _{dd} | V | See Figure 13 for more detail. |
| Input impedance | 3.0 ≥ V _{dd} ≥ 3.6 | VIN, VIN | | | | | See Figure 12 for more detail. |
| | | RFLEV | | 25k | | Ω | D.C. signal |

*. capacitively coupled signal.

†. for normal use, the AGC must control the level on the VIN/VIN pins.

Figure 11 - VIN & \overline{VIN} equivalent circuit for inputs

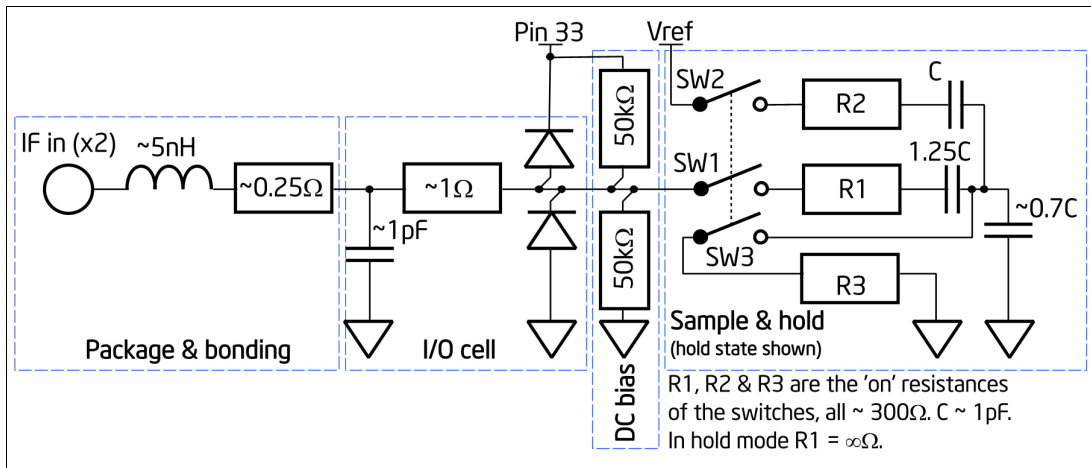


Figure 12 - VIN & VIN input impedance (approximate)

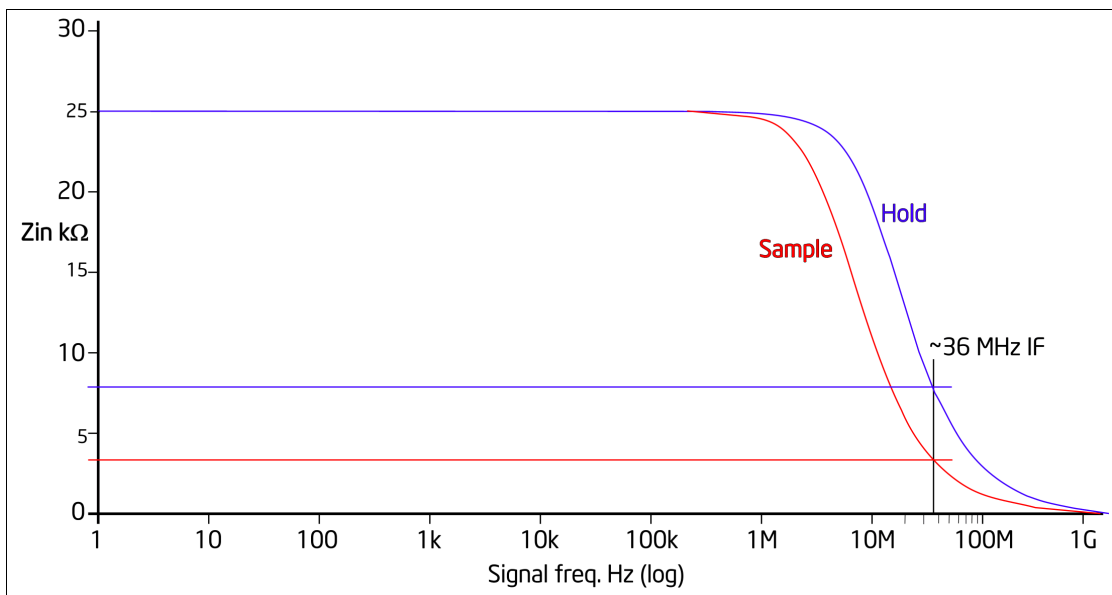
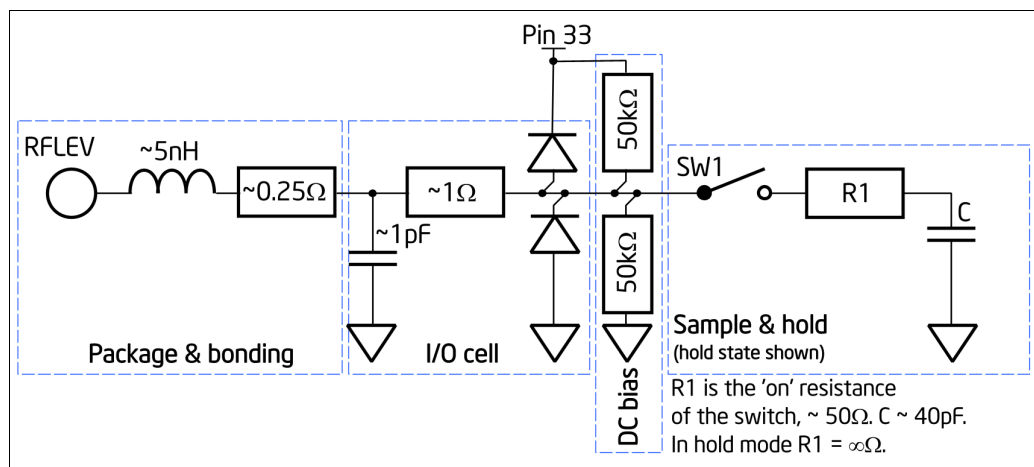


Figure 13 - RFLEV equivalent circuit for input

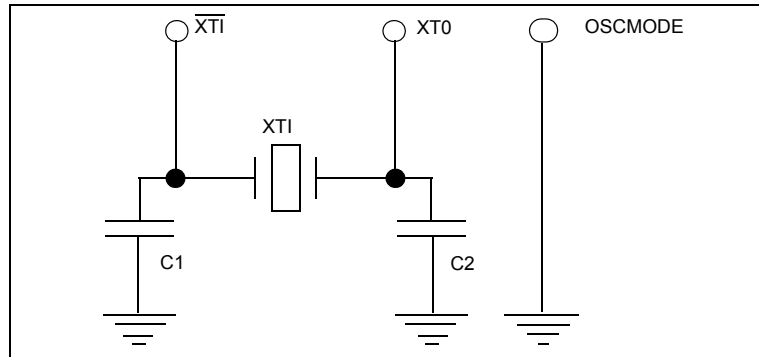


4.5 Crystal Specification and External Clocking

| | |
|---|-------------|
| Parallel resonant fundamental frequency (preferred) | 20.4800 MHz |
| Tolerance over operating temperature range | ± 150 ppm |
| Tolerance overall | ± 200 ppm |

| | |
|------------------------------|------------|
| Typical load capacitance | 20 pF |
| Drive level | 0.4 mW max |
| Equivalent series resistance | <40 Ω |

Figure 14 - Crystal Oscillator Circuit



4.5.1 Selection of External Components

The capacitor values used must ensure correct operation of the Pierce oscillator such that the total loop gain is greater than unity. Correct selection of the two capacitors is very important and the following method is recommended to obtain values for C1 and C2. Alternatively there is a calculator available (ZLAN-125) that will calculate the external component values for you.

4.5.1.1 Loop Gain Equation

Although oscillation may still occur if the loop gain is just above 1, a loop gain of between 5 and 25 is optimum to ensure that oscillations will occur across all variations in temperature, process and supply voltage, and that the circuit will exhibit good start-up characteristics.

$$\text{Equation 1 - } A = \frac{C_{\text{out}} \cdot g_m}{C_{\text{in}}} \left[\frac{C_{\text{out}} + C_{\text{in}}}{R_f \cdot C_{\text{in}}} + \frac{1}{Z_{\text{in}}} + \frac{1}{Z_o} \right]^{-1}$$

$$\text{Equation 2 - } Z_{\text{in}} = \frac{1}{(2 \cdot \pi \cdot f \cdot C_{\text{out}})^2 \cdot \text{ESR}}$$

4.5.1.2 List of Equation Parameters

| | |
|------------------------|---|
| A | total loop gain (between 5 and 25) |
| C_{in} | C1 + C _{par} |
| C_{out} | C2 + C _{par} |
| C_{par} | parasitic capacitance associated with each oscillator pin ($\overline{\text{XT1}}$ and XT0). It consists of track capacitances, package capacitance and cell input capacitance. Normally C _{par} ≈ 4pF. |
| Z_o | 9.143kΩ - output impedance of amplifier at 1.8V operation - typical |
| g_m | 8.736mA/V - transconductance of amplifier at 1.8V operation -typical |
| R_f | 2.3MΩ - internal feedback resistor |
| ESR | maximum equivalent series resistance of crystal - given by crystal manufacturer (Ω) |
| f | fundamental frequency of crystal (Hz) |

4.5.1.3 Calculating Crystal Power Dissipation

To calculate the power dissipated in a crystal the following equation can be used.

$$\text{Equation 3 - } P_c = \frac{V_{pp}^2}{8 \cdot Z_{in}}$$

P_c = power dissipated in crystal at resonant frequency (W)

V_{pp} = maximum peak to peak output swing of amplifier is 1.8V for all CVdd

Z_{in} = crystal network impedance (see Equation 2)

4.5.1.4 Capacitor Values

Using the loop gain limits ($5 \leq A \leq 25$), the maximum and minimum values for C1 and C2 can be calculated with Equation 4 below.

$$\text{Equation 4 - } C_{in} = C_{out} = \sqrt{\left[\frac{g_m}{A} - \frac{2}{R_f} - \frac{1}{Z_o} \right] \cdot \frac{1}{(2 \cdot \pi \cdot f)^2 \cdot ESR}} \quad \text{when: } C_1 = C_2 = C_{out} - C_{par}$$

Note: Equation 4 was derived from Equation 1 and Equation 2 using the premise that $C_1 = C_2$.

Within these limits, any value for C1 and C2 can now be selected. Normally C1 and C2 are chosen such that the resulting crystal load capacitance C_L (see Equation 5) is close to the crystal manufacturers recommended C_L (standard values for C_L are 15pF, 20pF and 30pF). The crystal will then operate very near its specified frequency.

$$\text{Equation 5 - } C_L = \frac{C_{out} \cdot C_{in}}{C_{out} + C_{in}} + C_{par12}$$

C_{par12} = parasitic capacitance between the \overline{XTI} and XTO pins. It consists of the IC package's pin-to-pin capacitance (including any socket used) and the printed circuit board's track-to-track capacitance.

$$C_{par12} \approx 2\text{pF.}$$

If some frequency pulling can be tolerated, a crystal load capacitance different from the crystal manufacturer's recommended C_L may be acceptable. Larger values of C_L tend to reduce the influence of circuit variations and tolerances on frequency stability. Smaller values of C_L tend to reduce startup time and crystal power dissipation. Care must however be taken that C_L does not fall outside the crystal pulling range or the circuit may fail to start up altogether. It is also possible to quote C_L to the crystal manufacturer who can then cut a crystal to order which will resonate, under the specified load conditions, at the desired frequency.

Finally the power dissipation in the crystal must be checked. If P_c is too high C1 and C2 must be reduced. If this is not feasible C2 alone may be reduced. Unbalancing C1 and C2 will, however, require checking if the loop gain condition is still satisfied. This must be done using Equation 1.

$$\text{Note: } 2 \geq \frac{C_2}{C_1} \geq 0.5$$

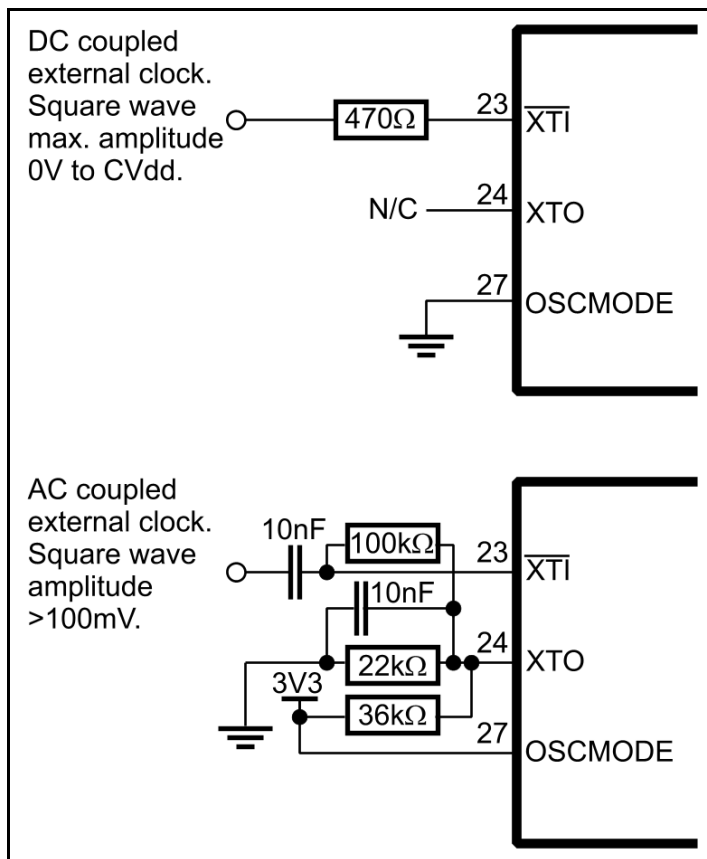
4.5.1.5 Oscillator/Clock Application Notes

- On the printed circuit board, the tracks to the crystal and capacitors must be made as short as possible. Other signal tracks must not be allowed to cross through this area. The component tracks should preferably be ringed by a ground track connected to the chip ground (0V) on adjacent pins either side of the crystal pins. It is also advisable to provide a ground plane for the circuit to reduce noise.
- External clock signals, applied to \overline{XTI} and/or XTO, must not exceed the cell supply limits (i.e., 0V and CVdd) and current into or out of XTI and/or XTO must be limited to less than 10mA to avoid damaging the cell's amplitude clamping circuit.
- An external, DC coupled, single ended square wave clock signal may be applied to \overline{XTI} if $OSCMODE = 0$. To limit the current taken from the signal source a resistor should be placed between the clock source and \overline{XTI} . The recommended value for this series resistor is 470 Ω for a clock signal switching between 0V and CVdd. The current the clock source needs to source/sink is then ≤ 1.9 mA. The XTO pin must be left unconnected in this configuration. See Figure 15.
- AC coupling of a single ended external clock to \overline{XTI} , with $OSCMODE = 0$, is not recommended. The duty cycle of the

OSCOOUT signal cannot be guaranteed in such a configuration.

- AC coupling of a single ended external clock to \overline{XTI} , with OSCMODE = 1, is possible. It is recommended that the circuit shown in Figure 15 be used to correctly bias the oscillator inputs: The common-mode voltage V_{CM} for \overline{XTI} and XTO, (set by the 36 k Ω and 22 k Ω resistors) must be in the range 800 mV to CVdd and the amplitude V_{pp} of the clock signal must be >100 mV. See Figure 15.

Figure 15 - External Clocking



- External, differential clock signals may be applied to \overline{XTI} and XTO if OSCMODE = 1. The common-mode voltage V_{CM} for the differential clock signals must be in the range 800 mV to CVdd, and the peak-to-peak signal amplitude V_{pp} must be >100 mV. It is recommended that differential clock signals have $V_{CM} = 1.0V$. For $V_{pp} > 400$ mV a resistor of $\geq 390 \Omega$ in series with \overline{XTI} or XTO may be required to limit the current taken from or supplied to the clock sources.

5 Application Circuit

Figure 16 - Typical Application Circuit

