

### FEATURES

#### Isolated high-side and low-side outputs

High side or low side relative to input:  $\pm 700 V_{PEAK}$

High-side/low-side differential:  $700 V_{PEAK}$

#### 0.1 A peak output current

#### High frequency operation: 5 MHz max

#### High common-mode transient immunity: $>50 \text{ kV}/\mu\text{s}$

#### High temperature operation: $105^\circ\text{C}$

#### Wide body, 16-lead SOIC

#### UL1577 2500 V rms input-to-output withstand voltage

### APPLICATIONS

#### Isolated IGBT/MOSFET gate drives

#### Plasma displays

#### Industrial inverters

#### Switching power supplies

### GENERAL DESCRIPTION

The ADuM1230<sup>1</sup> is an isolated half-bridge gate driver that employs Analog Devices, Inc., *iCoupler*<sup>®</sup> technology to provide independent and isolated high-side and low-side outputs. Combining high speed CMOS and monolithic transformer technology, this isolation component provides outstanding performance characteristics superior to optocoupler-based solutions.

By avoiding the use of LEDs and photodiodes, this *iCoupler* gate drive device is able to provide precision timing characteristics not possible with optocouplers. Furthermore, the reliability and performance stability problems associated with optocoupler LEDs are avoided.

In comparison to gate drivers employing high voltage level translation methodologies, the ADuM1230 offers the benefit of true, galvanic isolation between the input and each output. Each output may be operated up to  $\pm 700 V_{PEAK}$  relative to the input, thereby supporting low-side switching to negative voltages. The differential voltage between the high side and low side can be as high as  $700 V_{PEAK}$ .

As a result, the ADuM1230 provides reliable control over the switching characteristics of IGBT/MOSFET configurations over a wide range of positive or negative switching voltages.

<sup>1</sup> Protected by U.S. Patents 5,952,849; 6,873,065; 6,903,578; 7,075,329; and other pending patents.

### FUNCTIONAL BLOCK DIAGRAM

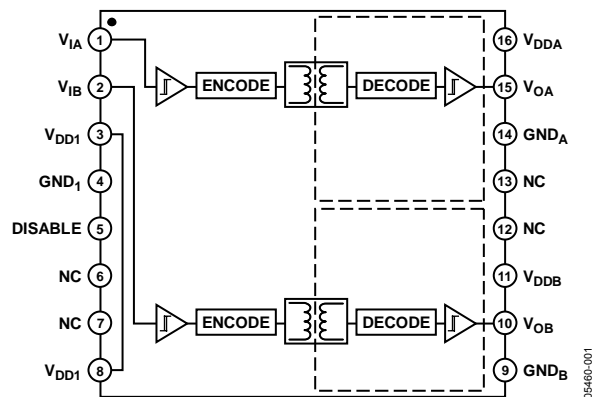


Figure 1.

### Rev. B

Information furnished by Analog Devices is believed to be accurate and reliable. However, no responsibility is assumed by Analog Devices for its use, nor for any infringements of patents or other rights of third parties that may result from its use. Specifications subject to change without notice. No license is granted by implication or otherwise under any patent or patent rights of Analog Devices. Trademarks and registered trademarks are the property of their respective owners.

One Technology Way, P.O. Box 9106, Norwood, MA 02062-9106, U.S.A.  
Tel: 781.329.4700 [www.analog.com](http://www.analog.com)  
Fax: 781.461.3113 ©2005–2007 Analog Devices, Inc. All rights reserved.

## TABLE OF CONTENTS

|   |   |  |    |
|---|---|--|----|
| Features .....                                    | 1 | Absolute Maximum Ratings .....                   | 5  |
| Applications.....                                 | 1 | ESD Caution.....                                 | 5  |
| General Description .....                         | 1 | Pin Configuration and Function Descriptions..... | 6  |
| Functional Block Diagram .....                    | 1 | Typical Performance Characteristics .....        | 7  |
| Revision History .....                            | 2 | Applications Information .....                   | 8  |
| Specifications.....                               | 3 | Common-Mode Transient Immunity .....             | 8  |
| Electrical Characteristics.....                   | 3 | Typical Application Usage.....                   | 9  |
| Package Characteristics .....                     | 4 | Outline Dimensions .....                         | 10 |
| Regulatory Information.....                       | 4 | Ordering Guide .....                             | 10 |
| Insulation and Safety-Related Specifications..... | 4 |  |    |
| Recommended Operating Conditions .....            | 4 |  |    |

## REVISION HISTORY

### 12/07—Rev. A to Rev. B

|                                     |   |
|-------------------------------------|---|
| Changes to Note 1.....              | 1 |
| Change to Minimum Pulse Width ..... | 3 |

### 12/05—Rev. Sp0 to Rev. A

|   |   |
|---|---|
| Changes to Figure 1 and Note 1.....           | 1 |
| Added Typical Application Usage Section ..... | 9 |
| Inserted Figure 14.....                       | 9 |

### 5/05—Revision Sp0: Initial Version

## SPECIFICATIONS

### ELECTRICAL CHARACTERISTICS

All voltages are relative to their respective ground.  $4.5\text{ V} \leq V_{DD1} \leq 5.5\text{ V}$ ,  $12\text{ V} \leq V_{DDA} \leq 18\text{ V}$ , and  $12\text{ V} \leq V_{DDB} \leq 18\text{ V}$ . All minimum/maximum specifications apply over the entire recommended operating range, unless otherwise noted. All typical specifications are at  $T_A = 25^\circ\text{C}$ ,  $V_{DD1} = 5\text{ V}$ ,  $V_{DDA} = 15\text{ V}$ , and  $V_{DDB} = 15\text{ V}$ .

Table 1.

| Parameter  | Symbol                        | Min                                 | Typ                | Max | Unit                 | Test Conditions                                   |
|--|-------------------------------|-------------------------------------|--------------------|-----|----------------------|---|
| <b>DC SPECIFICATIONS</b>   |                               |                                     |                    |     |                      |   |
| Input Supply Current ( $V_{DD1}$ Pins)                             |                               |                                     |                    |     |                      |   |
| Quiescent  | $I_{DD1(Q)}$                  |                                     | 2.9                | 4.0 | mA                   |   |
| 10 Mbps  | $I_{DD1(10)}$                 |                                     | 5.2                | 8.0 | mA                   |   |
| Output Supply Current ( $V_{DDA}$ and $V_{DDB}$ Pins)              |                               |                                     |                    |     |                      |   |
| Quiescent  | $I_{DDA(Q)}, I_{DDB(Q)}$      |                                     | 0.3                | 1.2 | mA                   |   |
| 10 Mbps  | $I_{DDA(10)}, I_{DDB(10)}$    |                                     | 16                 | 22  | mA                   | $C_L = 200\text{ pF}$                             |
| Input Currents   | $I_{IA}, I_{IB}, I_{DISABLE}$ | -10                                 | +0.01              | +10 | $\mu\text{A}$        | $0 \leq V_{IA}, V_{IB}, V_{DISABLE} \leq V_{DD1}$ |
| Logic High Input Threshold   | $V_{IH}$                      | 2.0                                 |                    |     | V                    |   |
| Logic Low Input Threshold  | $V_{IL}$                      |                                     |                    | 0.8 | V                    |   |
| Logic High Output Voltages   | $V_{OAH}, V_{OBH}$            | $V_{DDA} - 0.1,$<br>$V_{DDB} - 0.1$ | $V_{DDA}, V_{DDB}$ |     | V                    | $I_{OA}, I_{OB} = -1\text{ mA}$                   |
| Logic Low Output Voltages  | $V_{OAL}, V_{OBL}$            |                                     |                    | 0.1 | V                    | $I_{OA}, I_{OB} = +1\text{ mA}$                   |
| Output Short-Circuit Pulsed Current <sup>1</sup>                   | $I_{OA(SC)}, I_{OB(SC)}$      | 100                                 |                    |     | mA                   |   |
| <b>SWITCHING SPECIFICATIONS</b>                                    |                               |                                     |                    |     |                      |   |
| Minimum Pulse Width <sup>2</sup>                                   | PW                            |                                     |                    | 80  | ns                   | $C_L = 200\text{ pF}$                             |
| Maximum Switching Frequency <sup>3</sup>                           |                               | 10                                  |                    |     | Mbps                 | $C_L = 200\text{ pF}$                             |
| Propagation Delay <sup>4</sup>                                     | $t_{PHL}, t_{PLH}$            | 97                                  | 124                | 160 | ns                   | $C_L = 200\text{ pF}$                             |
| Change vs. Temperature   |                               |                                     | 100                |     | ps/ $^\circ\text{C}$ |   |
| Pulse Width Distortion, $ t_{PLH} - t_{PHL} $                      | PWD                           |                                     |                    | 8   | ns                   | $C_L = 200\text{ pF}$                             |
| Channel-to-Channel Matching, Rising or Falling Edges <sup>5</sup>  |                               |                                     |                    | 5   | ns                   | $C_L = 200\text{ pF}$                             |
| Channel-to-Channel Matching, Rising vs. Falling Edges <sup>6</sup> |                               |                                     |                    | 13  | ns                   | $C_L = 200\text{ pF}$                             |
| Part-to-Part Matching, Rising or Falling Edges <sup>7</sup>        |                               |                                     |                    | 55  | ns                   | $C_L = 200\text{ pF}$ , input $t_R = 3\text{ ns}$ |
| Part-to-Part Matching, Rising vs. Falling Edges <sup>8</sup>       |                               |                                     |                    | 63  | ns                   | $C_L = 200\text{ pF}$ , input $t_R = 3\text{ ns}$ |
| Output Rise/Fall Time (10% to 90%)                                 | $t_R/t_F$                     |                                     |                    | 20  | ns                   | $C_L = 200\text{ pF}$                             |

<sup>1</sup> Short-circuit duration less than one second. Average power must conform to the limit shown in the Absolute Maximum Ratings section.

<sup>2</sup> The minimum pulse width is the shortest pulse width at which the specified timing parameters are guaranteed.

<sup>3</sup> The maximum switching frequency is the maximum signal frequency at which the specified timing parameters are guaranteed.

<sup>4</sup>  $t_{PHL}$  propagation delay is measured from the 50% level of the falling edge of the  $V_{ix}$  signal to the 50% level of the falling edge of the  $V_{ox}$  signal.  $t_{PLH}$  propagation delay is measured from the 50% level of the rising edge of the  $V_{ix}$  signal to the 50% level of the rising edge of the  $V_{ox}$  signal.

<sup>5</sup> Channel-to-channel matching, rising vs. falling edges is the magnitude of the propagation delay difference between two channels of the same part when the inputs are either both rising edges or falling edges. The supply voltages and the loads on each channel are equal.

<sup>6</sup> Channel-to-channel matching, rising or falling edges is the magnitude of the propagation delay difference between two channels of the same part when one input is a rising edge and the other input is a falling edge. The supply voltages and loads on each channel are equal.

<sup>7</sup> Part-to-part matching, rising or falling edges is the magnitude of the propagation delay difference between the same channels of two different parts when the inputs are either both rising or falling edges. The supply voltages, temperatures, and loads of each part are equal.

<sup>8</sup> Part-to-part matching, rising vs. falling edges is the magnitude of the propagation delay difference between the same channels of two different parts when one input is a rising edge and the other input is a falling edge. The supply voltages, temperatures, and loads of each part are equal.

# ADuM1230

## PACKAGE CHARACTERISTICS

Table 2.

| Parameter                                  | Symbol           | Min | Typ              | Max | Unit | Test Conditions |
|--|------------------|-----|------------------|-----|------|-----------------|
| Resistance (Input-to-Output) <sup>1</sup>  | R <sub>I-O</sub> |     | 10 <sup>12</sup> |     | Ω    | f = 1 MHz       |
| Capacitance (Input-to-Output) <sup>1</sup> | C <sub>I-O</sub> |     | 2.0              |     | pF   |                 |
| Input Capacitance                          | C <sub>i</sub>   |     | 4.0              |     | pF   |                 |
| IC Junction-to-Ambient Thermal Resistance  | θ <sub>JcA</sub> |     | 76               |     | °C/W |                 |

<sup>1</sup> The device is considered a two-terminal device: Pin 1 through Pin 8 are shorted together, and Pin 9 through Pin 16 are shorted together.

## REGULATORY INFORMATION

The ADuM1230 is approved by the organizations listed in Table 3.

Table 3.

### UL<sup>1</sup>

Recognized under UL1577 component recognition program

<sup>1</sup> In accordance with UL1577, each ADuM1230 is proof tested by applying an insulation test voltage ≥ 3000 V rms for one second (current leakage detection limit = 5 μA).

## INSULATION AND SAFETY-RELATED SPECIFICATIONS

Table 4.

| Parameter  | Symbol | Value     | Unit  | Conditions   |
|--|--------|-----------|-------|--|
| Rated Dielectric Insulation Voltage              |        | 2500      | V rms | 1 minute duration  |
| Minimum External Air Gap (Clearance)             | L(I01) | 7.7 min   | mm    | Measured from input terminals to output terminals, shortest distance through air     |
| Minimum External Tracking (Creepage)             | L(I02) | 8.1 min   | mm    | Measured from input terminals to output terminals, shortest distance path along body |
| Minimum Internal Gap (Internal Clearance)        |        | 0.017 min | mm    | Insulation distance through insulation   |
| Tracking Resistance (Comparative Tracking Index) | CTI    | >175      | V     | DIN IEC 112/VDE 0303 Part 1  |
| Isolation Group                                  |        | IIIa      |       | Material Group (DIN VDE 0110, 1/89, Table 1)   |

## RECOMMENDED OPERATING CONDITIONS

Table 5.

| Parameter  | Symbol                              | Min | Max  | Unit  |
|--|-------------------------------------|-----|------|-------|
| Operating Temperature  | T <sub>A</sub>                      | -40 | +105 | °C    |
| Input Supply Voltage <sup>1</sup>                            | V <sub>DD1</sub>                    | 4.5 | 5.5  | V     |
| Output Supply Voltages <sup>1</sup>                          | V <sub>DDA</sub> , V <sub>DDB</sub> | 12  | 18   | V     |
| Input Signal Rise and Fall Times                             |                                     |     | 100  | ns    |
| Common-Mode Transient Immunity, Input-to-Output <sup>2</sup> |                                     | -50 | +50  | kV/μs |
| Common-Mode Transient Immunity, Between Outputs <sup>2</sup> |                                     | -50 | +50  | kV/μs |
| Transient Immunity, Supply Voltages <sup>2</sup>             |                                     | -50 | +50  | kV/μs |

<sup>1</sup> All voltages are relative to their respective ground.

<sup>2</sup> See the Common-Mode Transient Immunity section for transient diagrams and additional information.

## ABSOLUTE MAXIMUM RATINGS

Ambient temperature = 25°C, unless otherwise noted.

Table 6.

| Parameter  | Rating                               |
|--|--------------------------------------|
| Storage Temperature ( $T_{ST}$ )                             | -55°C to +150 °C                     |
| Ambient Operating Temperature ( $T_A$ )                      | -40°C to +105°C                      |
| Input Supply Voltage <sup>1</sup> ( $V_{DD1}$ )              | -0.5 V to +7.0 V                     |
| Output Supply Voltage <sup>1</sup> ( $V_{DDA}$ , $V_{DDB}$ ) | -0.5 V to +27 V                      |
| Input Voltage <sup>1</sup> ( $V_{IA}$ , $V_{IB}$ )           | -0.5 V to $V_{DD1} + 0.5$ V          |
| Output Voltage <sup>1</sup>                                  |                                      |
| $V_{OA}$   | -0.5 V to $V_{DDA} + 0.5$ V          |
| $V_{OB}$   | -0.5 V to $V_{DDB} + 0.5$ V          |
| Input-to-Output Voltage <sup>2</sup>                         | -700 $V_{PEAK}$ to +700 $V_{PEAK}$   |
| Output Differential Voltage <sup>3</sup>                     | +700 $V_{PEAK}$                      |
| Output DC Current ( $I_{OA}$ , $I_{OB}$ )                    | -20 mA to +20 mA                     |
| Common-Mode Transients <sup>4</sup>                          | -100 kV/ $\mu$ s to +100 kV/ $\mu$ s |

<sup>1</sup> All voltages are relative to their respective ground.

<sup>2</sup> Input-to-output voltage is defined as  $GND_A - GND_1$  or  $GND_B - GND_1$ .

<sup>3</sup> Output differential voltage is defined as  $GND_A - GND_B$ .

<sup>4</sup> Refers to common-mode transients across any insulation barrier. Common-mode transients exceeding the Absolute Maximum Ratings can cause latch-up or permanent damage.

Stresses above those listed under Absolute Maximum Ratings may cause permanent damage to the device. This is a stress rating only; functional operation of the device at these or any other conditions above those indicated in the operational section of this specification is not implied. Exposure to absolute maximum rating conditions for extended periods may affect device reliability.

### ESD CAUTION



**ESD (electrostatic discharge) sensitive device.** Charged devices and circuit boards can discharge without detection. Although this product features patented or proprietary protection circuitry, damage may occur on devices subjected to high energy ESD. Therefore, proper ESD precautions should be taken to avoid performance degradation or loss of functionality.

# ADuM1230

## PIN CONFIGURATION AND FUNCTION DESCRIPTIONS

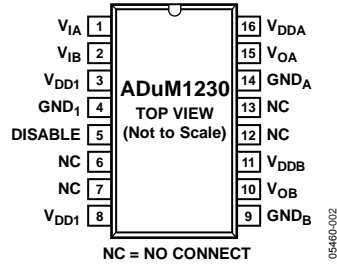


Figure 2. Pin Configuration

Table 7. Pin Function Descriptions

| Pin No.                   | Mnemonic         | Function   |
|---------------------------|------------------|--|
| 1                         | V <sub>IA</sub>  | Logic Input A.   |
| 2                         | V <sub>IB</sub>  | Logic Input B.   |
| 3, 8 <sup>1</sup>         | V <sub>DD1</sub> | Input Supply Voltage, 4.5 V to 5.5 V.  |
| 4                         | GND <sub>1</sub> | Ground Reference for Input Logic Signals.  |
| 5                         | DISABLE          | Input Disable. Disables the isolator inputs and refresh circuits. Outputs take on default low state. |
| 6, 7, 12, 13 <sup>2</sup> | NC               | No Connect.  |
| 9                         | GND <sub>B</sub> | Ground Reference for Output B.   |
| 10                        | V <sub>OB</sub>  | Output B.  |
| 11                        | V <sub>DDB</sub> | Output B Supply Voltage, 12 V to 18 V.   |
| 14                        | GND <sub>A</sub> | Ground Reference for Output A.   |
| 15                        | V <sub>OA</sub>  | Output A.  |
| 16                        | V <sub>DDA</sub> | Output A Supply Voltage, 12 V to 18 V.   |

<sup>1</sup> Pin 3 and Pin 8 are internally connected. Connecting both to V<sub>DD1</sub> is recommended.

<sup>2</sup> Pin 12 and Pin 13 are floating and should be left unconnected.

Table 8. ADuM1230 Truth Table (Positive Logic)

| V <sub>IA</sub> /V <sub>IB</sub> Input | V <sub>DD1</sub> State | DISABLE | V <sub>OA</sub> /V <sub>OB</sub> Output | Notes  |
|--|------------------------|---------|---|--|
| H                                      | Powered                | L       | H                                       | Output returns to input state within 1 μs of V <sub>DD1</sub> power restoration. |
| L                                      | Powered                | L       | L                                       |  |
| X                                      | Unpowered              | X       | L                                       |  |
| X                                      | Powered                | H       | L                                       |  |

## TYPICAL PERFORMANCE CHARACTERISTICS

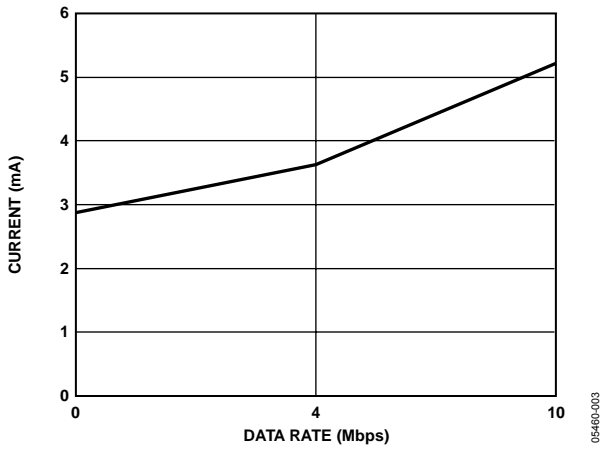


Figure 3. Typical Input Supply Current Variation with Data Rate

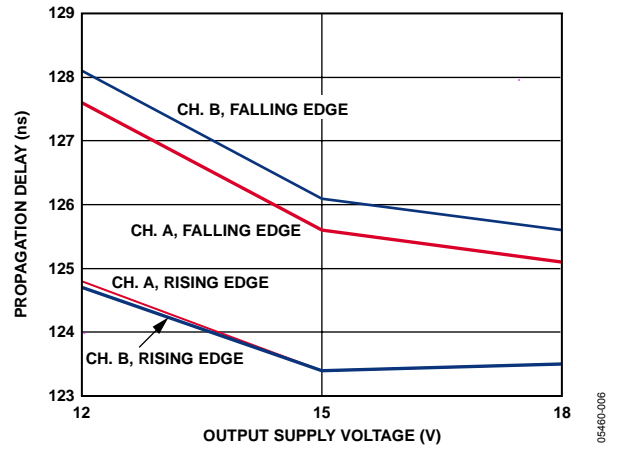


Figure 6. Typical Propagation Delay Variation with Output Supply Voltage (Input Supply Voltage = 5.0 V)

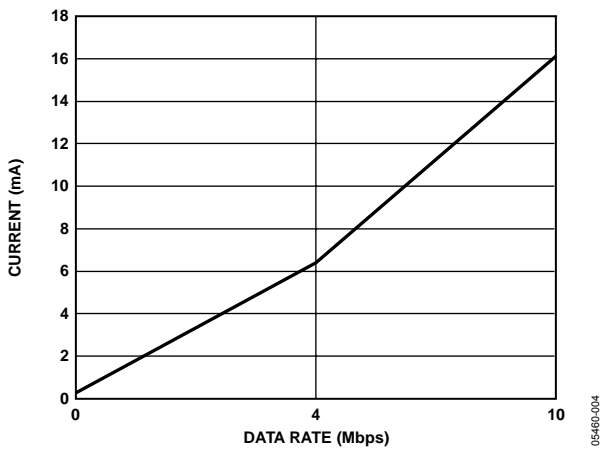


Figure 4. Typical Output Supply Current Variation with Data Rate

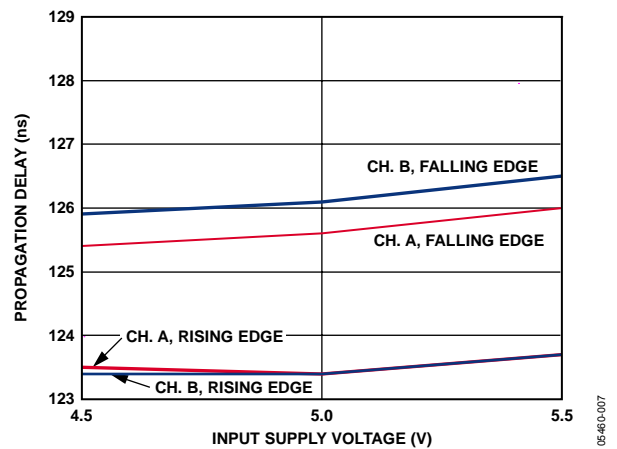


Figure 7. Typical Propagation Delay Variation with Input Supply Voltage (Output Supply Voltage = 15.0 V)

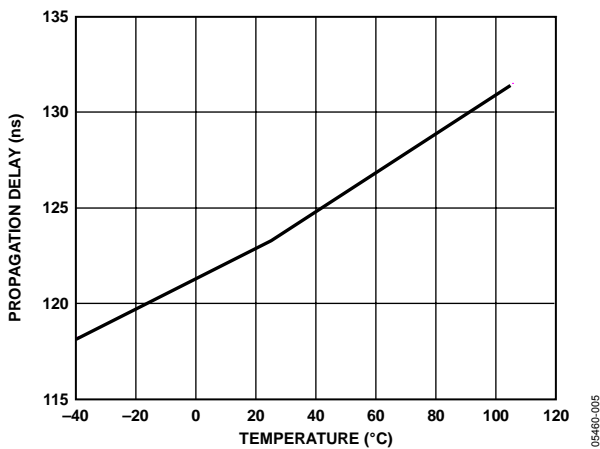


Figure 5. Typical Propagation Delay Variation with Temperature

## APPLICATIONS INFORMATION

### COMMON-MODE TRANSIENT IMMUNITY

In general, common-mode transients consist of linear and sinusoidal components. The linear component of a common-mode transient is given by

$$V_{CM, linear} = (\Delta V / \Delta t) t$$

where  $\Delta V / \Delta t$  is the slope of the transient shown in Figure 11 and Figure 12.

The transient of the linear component is given by

$$dV_{CM} / dt = \Delta V / \Delta t$$

The ability of the ADuM1230 to operate correctly in the presence of linear transients is characterized by the data in Figure 8. The data is based on design simulation and is the maximum linear transient magnitude that the ADuM1230 can tolerate without an operational error. This data shows a higher level of robustness than what is shown in Table 5 because the transient immunity values obtained in Table 5 use measured data and apply allowances for measurement error and margin.

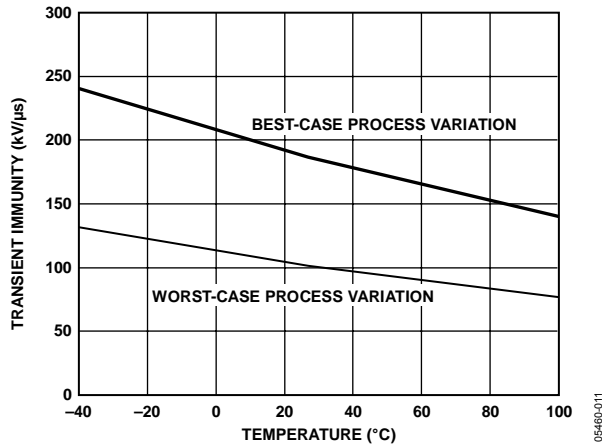


Figure 8. Transient Immunity (Linear Transients) vs. Temperature

The sinusoidal component (at a given frequency) is given by

$$V_{CM, sinusoidal} = V_0 \sin(2\pi ft)$$

where:

$V_0$  is the magnitude of the sinusoidal.

$f$  is the frequency of the sinusoidal.

The transient magnitude of the sinusoidal component is given by

$$dV_{CM} / dt = 2\pi f V_0$$

The ability of the ADuM1230 to operate correctly in the presence of sinusoidal transients is characterized by the data in Figure 9 and Figure 10. The data is based on design simulation and is the maximum sinusoidal transient magnitude ( $2\pi f V_0$ ) that the ADuM1230 can tolerate without an operational error. Values for immunity against sinusoidal transients are not included in Table 5 because measurements to obtain such values have not been possible.

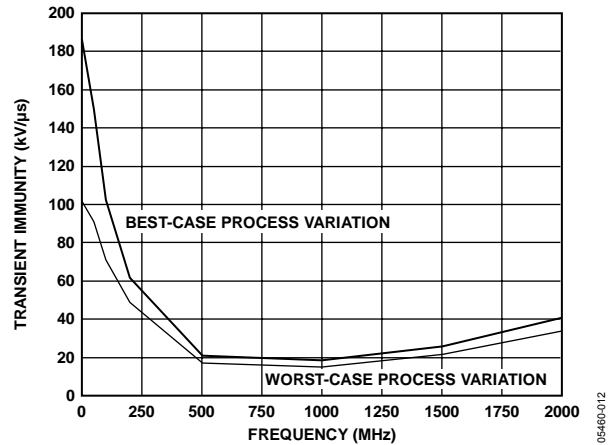


Figure 9. Transient Immunity (Sinusoidal Transients), 27°C Ambient Temperature

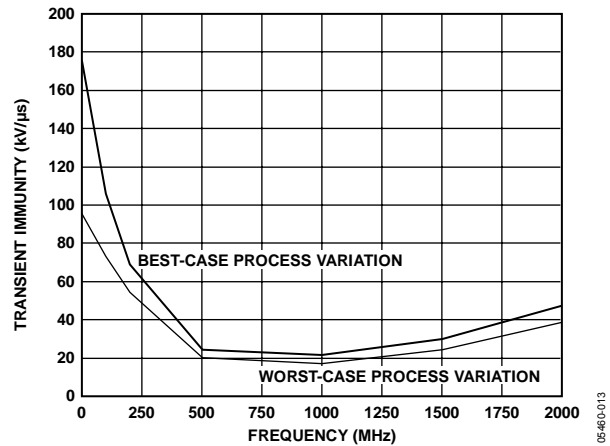


Figure 10. Transient Immunity (Sinusoidal Transients), 100°C Ambient Temperature



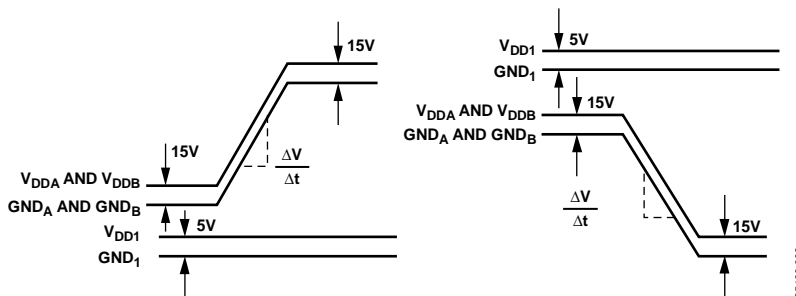


Figure 11. Common-Mode Transient Immunity Waveforms—Input to Output

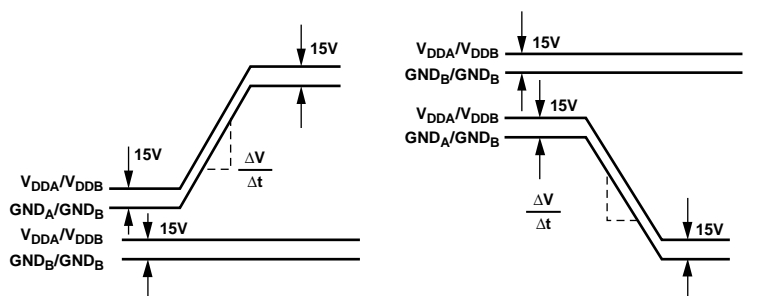


Figure 12. Common-Mode Transient Immunity Waveforms—Between Outputs



Figure 13. Transient Immunity Waveforms—Output Supplies

### TYPICAL APPLICATION USAGE

The ADuM1230 is intended for driving low gate capacitance transistors (200 pF typically). Most high voltage applications involve larger transistors than this. To accommodate these situations, users can choose either a gate driver with a stronger output stage or the buffer configuration with the ADuM1230, as shown in Figure 14. In many cases, the buffer configuration is the less expensive of the two options and provides the greatest amount of design flexibility. The precise buffer/high voltage transistor combination can be selected to fit the application needs.

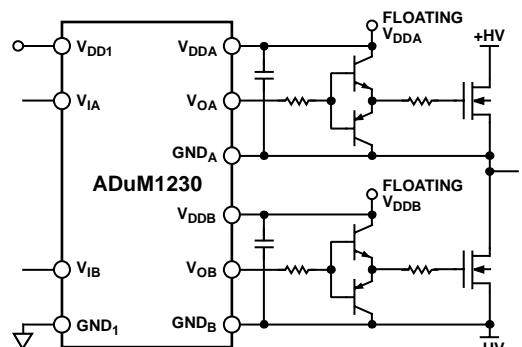
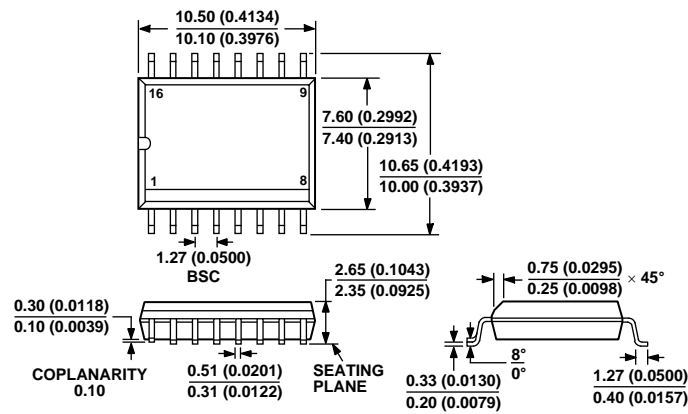


Figure 14.

# ADuM1230

## OUTLINE DIMENSIONS



COMPLIANT TO JEDEC STANDARDS MS-013-AA  
 CONTROLLING DIMENSIONS ARE IN MILLIMETERS; INCH DIMENSIONS  
 (IN PARENTHESES) ARE ROUNDED-OFF MILLIMETER EQUIVALENTS FOR  
 REFERENCE ONLY AND ARE NOT APPROPRIATE FOR USE IN DESIGN

Figure 15. 16-Lead Standard Small Outline Package [SOIC\_W]  
 Wide Body (RW-16)  
 Dimensions shown in millimeters and (inches)

## ORDERING GUIDE

| Model                        | No. of Channels | Output Peak Current (A) | Output Voltage (V) | Temperature Range | Package Description  | Package Option |
|------------------------------|-----------------|-------------------------|--------------------|-------------------|--|----------------|
| ADuM1230BRWZ <sup>1</sup>    | 2               | 0.1                     | 15                 | -40°C to +105°C   | 16-Lead SOIC_W   | RW-16          |
| ADuM1230BRWZ-RL <sup>1</sup> | 2               | 0.1                     | 15                 | -40°C to +105°C   | 16-Lead SOIC_W, 13-Inch Tape and Reel Option (1,000 Units) | RW-16          |

<sup>1</sup> Z = RoHS Compliant Part.

**NOTES**

**ADuM1230**

**NOTES**