

# W39V040A Data Sheet



## 512K × 8 CMOS FLASH MEMORY WITH LPC INTERFACE

### Table of Contents-

1.	GENERAL DESCRIPTION .....	3
2.	FEATURES .....	3
3.	PIN CONFIGURATIONS.....	4
4.	BLOCK DIAGRAM .....	5
5.	PIN DESCRIPTION.....	5
6.	FUNCTIONAL DESCRIPTION.....	6
6.1	Interface Mode Selection and Description.....	6
6.2	Read (Write) Mode .....	6
6.3	Reset Operation.....	6
6.4	Boot Block Operation and Hardware Protection at Initial - #TBL and #WP.....	6
6.5	Chip Erase Operation .....	7
6.6	Sector/Page Erase Operation.....	7
6.7	Program Operation .....	7
6.8	Hardware Data Protection .....	8
6.9	Data Polling (DQ7)- Write Status Detection .....	8
6.10	Toggle Bit (DQ6)- Write Status Detection.....	8
6.11	Multi-Chip Operation.....	8
6.12	Register.....	8
6.12.1	General Purpose Inputs Register .....	8
6.12.2	Product Identification Registers.....	9
6.13	Memory Address Map.....	9
6.14	Table of Operating Modes .....	10
6.14.1	Operating Mode Selection - Programmer Mode .....	10
6.14.2	Operating Mode Selection - LPC Mode .....	10
6.14.3	Standard LPC Memory Cycle Definition .....	11
6.15	Table of Command Definition .....	11
6.16	Embedded Programming Algorithm.....	13
6.17	Embedded Erase Algorithm.....	14
6.18	Embedded #Data Polling Algorithm.....	15
6.19	Embedded Toggle Bit Algorithm .....	15
6.20	Software Product Identification and Boot Block Lockout Detection Acquisition Flow ..	16
6.21	Boot Block Lockout Enable Acquisition Flow.....	17
7.	DC CHARACTERISTICS.....	18
7.1	Absolute Maximum Ratings.....	18
7.2	Programmer Interface Mode DC Operating Characteristics.....	18
7.3	LPC Interface Mode DC Operating Characteristics.....	19
7.4	Power-up Timing.....	19
7.5	Capacitance.....	19



8.	PROGRAMMER INTERFACE MODE AC CHARACTERISTICS .....	20
8.1	AC Test Conditions .....	20
8.2	AC Test Load and Waveform .....	20
9.	AC CHARACTERISTICS .....	21
9.1	Read Cycle Timing Parameters .....	21
9.2	Write Cycle Timing Parameters .....	21
9.3	Data Polling and Toggle Bit Timing Parameters .....	21
10.	TIMING WAVEFORMS FOR PROGRAMMER INTERFACE MODE .....	22
10.1	Read Cycle Timing Diagram .....	22
10.2	Write Cycle Timing Diagram .....	22
10.3	Program Cycle Timing Diagram .....	23
10.4	#DATA Polling Timing Diagram .....	23
10.5	Toggle Bit Timing Diagram .....	24
10.6	Boot Block Lockout Enable Timing Diagram .....	24
10.7	Chip Erase Diagram .....	25
10.8	Sector/Page Erase Timing Diagram .....	25
11.	LPC INTERFACE MODE AC CHARACTERISTICS .....	26
11.1	AC Test Conditions .....	26
11.2	Read/Write Cycle Timing Parameters .....	26
11.3	Reset Timing Parameters .....	26
12.	TIMING WAVEFORMS FOR LPC INTERFACE MODE .....	27
12.1	Read Cycle Timing Diagram .....	27
12.2	Write Cycle Timing Diagram .....	27
12.3	Program Cycle Timing Diagram .....	28
12.4	#DATA Polling Timing Diagram .....	29
12.5	Toggle Bit Timing Diagram .....	30
12.6	Boot Block Lockout Enable Timing Diagram .....	31
12.7	Chip Erase Timing Diagram .....	32
12.8	Sector Erase Timing Diagram .....	33
12.9	Page Erase Timing Diagram .....	34
12.10	GPI Register Readout Timing Diagram .....	35
12.11	Reset Timing Diagram .....	35
13.	ORDERING INFORMATION .....	36
14.	HOW TO READ THE TOP MARKING .....	36
15.	PACKAGE DIMENSIONS .....	37
15.1	32L PLCC .....	37
15.2	32L STSOP(8 mm x 14 mm) .....	37
15.3	40L TSOP (10 mm x 20 mm) .....	38
16.	REVISION HISTORY .....	38



## **1. GENERAL DESCRIPTION**

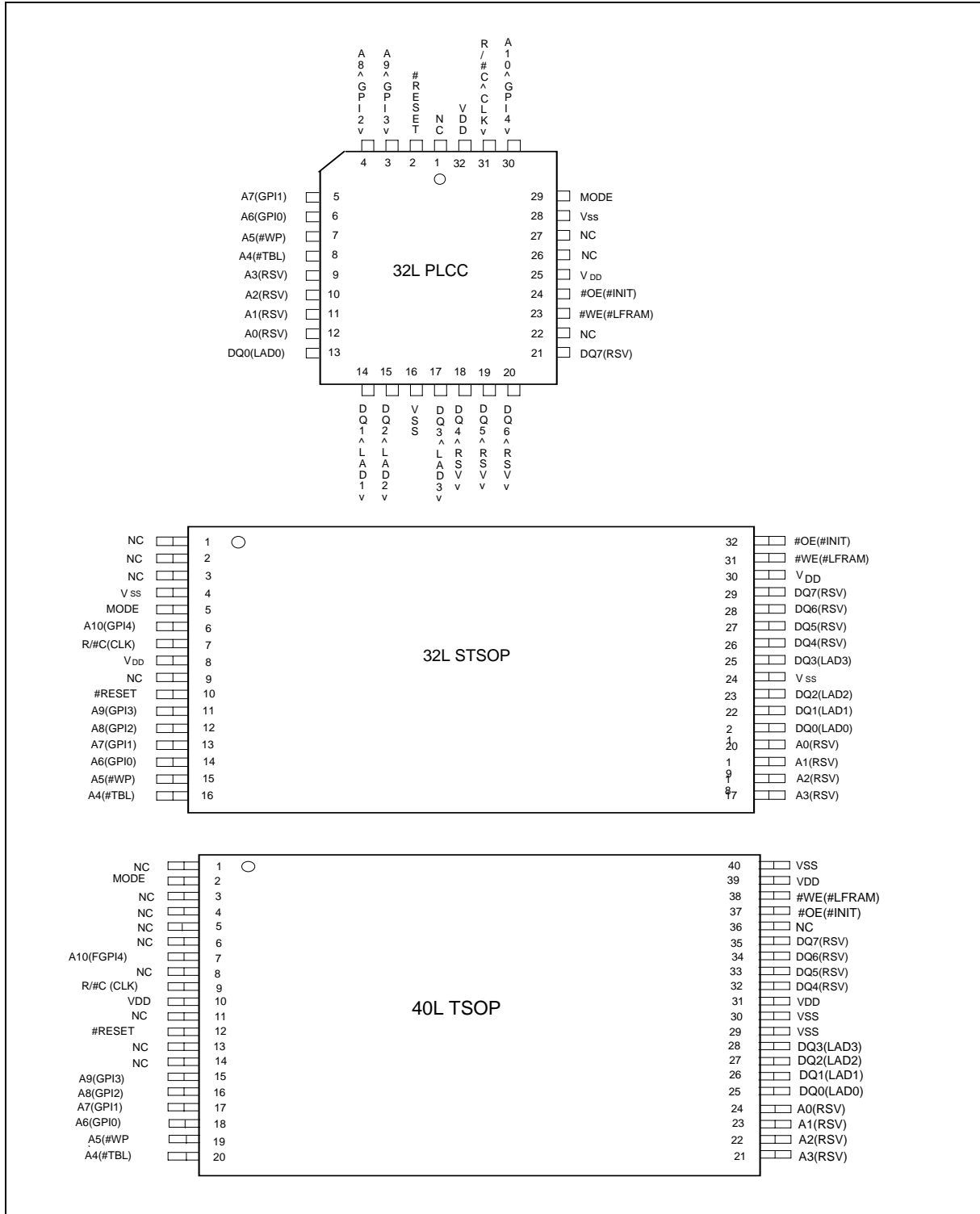
The W39V040A is a 4-megabit, 3.3-volt only CMOS flash memory organized as 512K × 8 bits. For flexible erase capability, the 4Mbits of data are divided into 8 uniform sectors of 64 Kbytes, which are composed of 16 smaller even pages with 4 Kbytes. The device can be programmed and erased in-system with a standard 3.3V power supply. A 12-volt V<sub>PP</sub> is not required. The unique cell architecture of the W39V040A results in fast program/erase operations with extremely low current consumption. This device can operate at two modes, Programmer bus interface mode and LPC bus interface mode. As in the Programmer interface mode, it acts like the traditional flash but with a multiplexed address inputs. But in the LPC interface mode, this device complies with the Intel LPC specification. The device can also be programmed and erased using standard EPROM programmers.

## **2. FEATURES**

- Single 3.3-volt Operations:
  - 3.3-volt Read
  - 3.3-volt Erase
  - 3.3-volt Program
- Fast Program Operation:
  - Byte-by-Byte programming: 35 μS (typ.)
- Fast Erase Operation:
  - Chip erase 100 mS (max.)
  - Sector erase 25 mS (max.)
  - Page erase 25 mS (max.)
- Fast Read access time: T<sub>kq</sub> 11 nS
- Endurance: 10K cycles (typ.)
- Twenty-year data retention
- 8 Even sectors with 64K bytes each, which is composed of 16 flexible pages with 4K bytes
- Any individual sector or page can be erased
- Hardware protection:
  - Optional 16K byte or 64K byte Top Boot Block with lockout protection
  - #TBL & #WP support the whole chip hardware protection
- Flexible 4K-page size can be used as Parameter Blocks
- Low power consumption
  - Active current: 12.5 mA (typ. for LPC mode)
- Automatic program and erase timing with internal V<sub>PP</sub> generation
- End of program or erase detection
  - Toggle bit
  - Data polling
- Latched address and data
- TTL compatible I/O
- Available packages: 32L PLCC, 32L STSOP, 40L TSOP, 32L PLCC Lead free, 32L STSOP Lead free and 40L TSOP Lead free

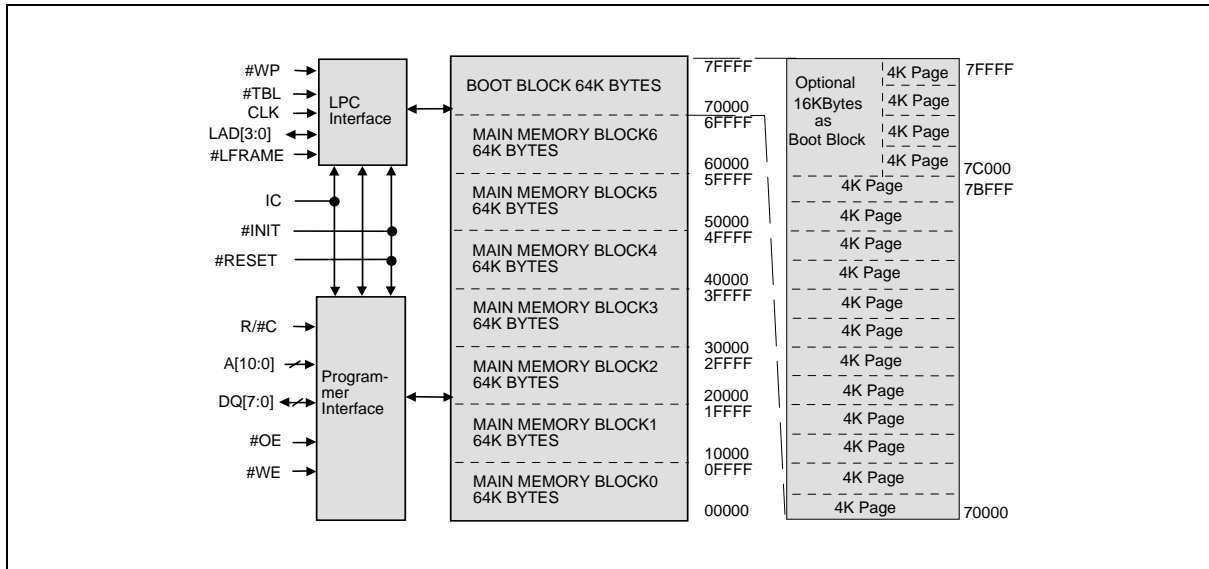


### 3. PIN CONFIGURATIONS





4. BLOCK DIAGRAM



5. PIN DESCRIPTION

SYM.	INTERFACE		PIN NAME
	PGM	LPC	
MODE	*	*	Interface Mode Selection
#RESET	*	*	Reset
#INIT		*	Initialize
#TBL		*	Top Boot Block Lock
#WP		*	Write Protect
CLK		*	CLK Input
GPI[4:0]		*	General Purpose Inputs
ID[3:0]		*	Identification Inputs
LAD[3:0]		*	Address/Data Inputs
#LFRAM		*	LPC Cycle Initial
R/#C	*		Row/Column Select
A[10:0]	*		Address Inputs
DQ[7:0]	*		Data Inputs/Outputs
#OE	*		Output Enable
#WE	*		Write Enable
VDD	*	*	Power Supply
VSS	*	*	Ground
RSV	*	*	Reserve Pins
NC	*	*	No Connection



## 6. FUNCTIONAL DESCRIPTION

### 6.1 Interface Mode Selection and Description

This device can be operated in two interface modes, one is Programmer interface mode, and the other is LPC interface mode. The MODE pin of the device provides the control between these two interface modes. These interface modes need to be configured before power up or return from #RESET. When MODE pin is set to VDD, the device is in the Programmer mode; while the MODE pin is set to low position, it is in the LPC mode. In Programmer mode, this device just behaves like traditional flash parts with 8 data lines. But the row and column address inputs are multiplexed. The row address is mapped to the higher internal address A[18:11]. And the column address is mapped to the lower internal address A[10:0]. For LPC mode, It complies with the LPC Interface Specification Revision 1.0. Through the LAD[3:0] and #LFRAM to communicate with the system chipset .

### 6.2 Read (Write) Mode

In Programmer interface mode, the read(write) operation of the W39V040A is controlled by #OE (#WE). The #OE (#WE) is held low for the host to obtain(write) data from(to) the outputs(inputs). #OE is the output control and is used to gate data from the output pins. The data bus is in high impedance state when #OE is high. As in the LPC interface the "bit 1 of CYCLE TYPE+DIR" determines mode, the read or write. Refer to the timing waveforms for further details.

### 6.3 Reset Operation

The #RESET input pin can be used in some application. When #RESET pin is at high state, the device is in normal operation mode. When #RESET pin is at low state, it will halt the device and all outputs will be at high impedance state. As the high state re-asserted to the #RESET pin, the device will return to read or standby mode, it depends on the control signals.

### 6.4 Boot Block Operation and Hardware Protection at Initial - #TBL and #WP

There are two alternatives to set the boot block. Either 16K-byte or 64K-byte in the top location of this device can be locked as boot block, which can be used to store boot codes. It is located in the last 16K/64K bytes of the memory with the address range from 7C000(hex)/70000(hex) to 7FFFF(hex).

See Command Codes for Boot Block Lockout Enable for the specific code. Once this feature is set the data for the designated block cannot be erased or programmed (programming lockout), other memory locations can be changed by the regular programming method.

Besides the software method, there is a hardware method to protect the top boot block and other sectors. Before power on programmer, tie the #TBL pin to low state and then the top boot block will not be programmed/erased. If #WP pin is tied to low state before power on, the other sectors will not be programmed/erased.

In order to detect whether the boot block feature is set on or not, users can perform software command sequence: enter the product identification mode (see Command Codes for Identification/Boot Block Lockout Detection for specific code), and then read from address 7FFF2(hex). If the DQ0/DQ1 output data is "1," the 64Kbytes/16Kbytes boot block programming lockout feature will be activated; if the DQ0/DQ1 output data is "0," the lockout feature will be inactivated and the boot block can be erased/programmed. But the hardware protection will override the software lock setting, i.e., while the #TBL pin is trapped at low state, the top boot block cannot be programmed/erased whether the output data, DQ0/DQ1 at the address 7FFF2, is "0" or "1". The #TBL will lock the whole 64Kbytes top boot block, it will not partially lock the 16Kbytes boot block. You can check the DQ2/DQ3 at the address 7FFF2 to see whether the #TBL/#WP pin is in low or high state. If the DQ2 is "0", it means the #TBL pin is tied to high state. In such condition, whether boot block can be programmed/erased or not will



depend on software setting. On the other hand, if the DQ2 is "1", it means the #TBL pin is tied to low state, then boot block is locked no matter how the software is set. Like the DQ2, the DQ3 inversely mirrors the #WP state. If the DQ3 is "0", it means the #WP pin is in high state, then all the sectors except the boot block can be programmed/erased. On the other hand, if the DQ3 is "1", then all the sectors except the boot block are programmed/erased inhibited.

To return to normal operation, perform a three-byte command sequence (or an alternate single-byte command) to exit the identification mode. For the specific code, see Command Codes for Identification/Boot Block Lockout Detection.

## **6.5 Chip Erase Operation**

The chip-erase mode can be initiated by a six-byte command sequence. After the command loading cycle, the device enters the internal chip erase mode, which is automatically timed and will be completed within fast 100 mS (max). The host system is not required to provide any control or timing during this operation. If the boot block programming lockout is activated, only the data in the other memory sectors will be erased to FF(hex) while the data in the boot block will not be erased (remains as the same state before the chip erase operation). The entire memory array will be erased to FF(hex) by the chip erase operation if the "boot block programming lockout feature" is not activated. The device will automatically return to normal read mode after the erase operation completed. Data polling and/or Toggle Bits can be used to detect end of erase cycle.

## **6.6 Sector/Page Erase Operation**

Sector/page erase is a six-bus cycles operation. There are two "unlock" write cycles, followed by writing the "set-up" command. Two more "unlock" write cycles then follows by the sector/page erase command. The sector/page address (any address location within the desired sector/page) is latched on the rising edge of R/C, while the command (30H/50H) is latched on the rising edge of #WE in programmer mode.

Sector/page erase does not require the user to program the device prior to erase. When erasing a sector/page or sectors/pages the remaining unselected sectors/pages are not affected. The system is not required to provide any controls or timings during these operations.

The automatic sector/page erase begins after the erase command is completed, right from the rising edge of the #WE pulse for the last sector/page erase command pulse and terminates when the data on DQ7, Data Polling, is "1" at which time the device returns to the read mode. Data Polling must be performed at an address within any of the sectors/pages being erased.

Refer to the Erase Command flow Chart using typical command strings and bus operations.

## **6.7 Program Operation**

The W39V040A is programmed on a byte-by-byte basis. Program operation can only change logical data "1" to logical data "0." The erase operation, which changed entire data in main memory and/or boot block from "0" to "1", is needed before programming.

The program operation is initiated by a 4-byte command cycle (see Command Codes for Byte Programming). The device will internally enter the program operation immediately after the byte-program command is entered. The internal program timer will automatically time-out (50  $\mu$ S max. - TBP) once it is completed and then return to normal read mode. Data polling and/or Toggle Bits can be used to detect end of program cycle.



## **6.8 Hardware Data Protection**

The integrity of the data stored in the W39V040A is also hardware protected in the following ways:

- (1) Noise/Glitch Protection: A #WE pulse of less than 15 nS in duration will not initiate a write cycle.
- (2) VDD Power Up/Down Detection: The programming and read operation is inhibited when VDD is less than 1.5V typical.
- (3) Write Inhibit Mode: Forcing #OE low or #WE high will inhibit the write operation. This prevents inadvertent writes during power-up or power-down periods.
- (4) VDD power-on delay: When VDD has reached its sense level, the devices will automatically time-out 5 mS before any write (erase/program) operation.

## **6.9 Data Polling (DQ7)- Write Status Detection**

The W39V040A includes a data polling feature to indicate the end of a program or erase cycle. When the W39V040A is in the internal program or erase cycle, any attempts to read DQ7 of the last byte loaded will receive the complement of the true data. Once the program or erase cycle is completed, DQ7 will show the true data. Note that DQ7 will show logical "0" during the erase cycle, and become logical "1" or true data when the erase cycle has been completed.

## **6.10 Toggle Bit (DQ6)- Write Status Detection**

In addition to data polling, the W39V040A provides another method for determining the end of a program cycle. During the internal program or erase cycle, any consecutive attempts to read DQ6 will produce alternating 0's and 1's. When the program or erase cycle is completed, this toggling between 0's and 1's will stop. The device is then ready for the next operation.

## **6.11 Multi-Chip Operation**

Multiple devices can be wired on the single LPC bus. There are four ID pins can be used to support up to 16 devices. But in order not to violate the BIOS ROM memory space defined by Intel, Winbond W39V040A will only used 3 ID pins to allow up to 8 devices, 4Mbytes for BIOS code and 4Mbytes for registers memory space.

These pins are part of mechanism that allows multiple parts to be used on the same bus. The boot device should be 0000b. And all the subsequent parts should use the up-count strapping.

## **6.12 Register**

There are two kinds of registers on this device, the General Purpose Input Registers and Product Identification Registers. Users can access these registers through respective address in the 4Gbytes memory map. There are detail descriptions in the sections below.

### **6.12.1 General Purpose Inputs Register**

This register reads the states of GPI[4:0] pins on the W39V040A. This is a pass-through register, which can be read via memory address. The alternative memory address can be FFBxE100(hex) or FFxx0100(hex), the "x" in the addresses represents the ID [2:0] pin straps. Since it is pass-through register, there is no default value.





### GPI Register

BIT	FUNCTION
7 – 5	Reserved
4	Read GPI4 pin status
3	Read GPI3 pin status
2	Read GPI2 pin status
1	Read GPI1 pin status
0	Read GPI0 pin status

### Alternative GPI Register Memory Address Table

ID[2:0] PINS	MEMORY ADDRESS
000	FFB0E100, FFBC0100
001	FFB1E100, FFBA0100
010	FFB2E100, FFAC0100
011	FFB3E100, FFA40100
100	FFB4E100, FF9C0100
101	FFB5E100, FF940100
110	FFB6E100, FF8C0100
111	FFB7E100, FF840100

### 6.12.2 Product Identification Registers

There is an alternative software method (six commands bytes) to read out the Product Identification in both the Programmer interface mode and the LPC interface mode. Thus, the programming equipment can automatically matches the device with its proper erase and programming algorithms.

In the software access mode, a six-byte (or JEDEC 3-byte) command sequence can be used to access the product ID for programmer interface mode. A read from address 0000(hex) outputs the manufacturer code, DA(hex). A read from address 0001(hex) outputs the device code, 3D(hex).” The product ID operation can be terminated by a three-byte command sequence or an alternate one-byte command sequence (see Command Definition table for detail).

### 6.13 Memory Address Map

There are 8M bytes space reserved for BIOS Addressing. The 8M bytes are mapped into a single 4M system address by dividing the ROMs into two 4M byte pages. For accessing the 4M byte BIOS storage space, the ID[2:0] pins are inverted in the ROM and are compared to address lines [21:19]. ID[3] can be used as like active low chip-select pin.

The 32Mbit address space is as below:

BLOCK	LOCK	ADDRESS RANGE
4M Byte BIOS ROM	None	FFFF, FFFFh: FFC0, 0000h



The ROM responds to top 512K byte pages based on the ID pins strapping according to the following table:

ID[2:0] PINS	ROM BASED ADDRESS RANGE
000	FFFF, FFFFh: FFF8, 0000h
001	FFF7, FFFFh: FFF0, 0000h
010	FFEF, FFFFh: FFE8, 0000h
011	FFE7, FFFFh: FFE0, 0000h
100	FFDF, FFFFh: FFD8, 0000h
101	FFD7, FFFFh: FFD0, 0000h
110	FFCF, FFFFh: FFC8, 0000h
111	FFC7, FFFFh: FFC0, 0000h

## 6.14 Table of Operating Modes

### 6.14.1 Operating Mode Selection - Programmer Mode

MODE	PINS				
	#OE	#WE	#RESET	ADDRESS	DQ.
Read	V <sub>IL</sub>	V <sub>IH</sub>	V <sub>IH</sub>	AIN	Dout
Write	V <sub>IH</sub>	V <sub>IL</sub>	V <sub>IH</sub>	AIN	Din
Standby	X	X	V <sub>IL</sub>	X	High Z
Write Inhibit	V <sub>IL</sub>	X	V <sub>IH</sub>	X	High Z/DOUT
	X	V <sub>IH</sub>	V <sub>IH</sub>	X	High Z/DOUT
Output Disable	V <sub>IH</sub>	X	V <sub>IH</sub>	X	High Z

### 6.14.2 Operating Mode Selection - LPC Mode

Operation modes in LPC interface mode are determined by "cycle type" when it is selected. When it is not selected, its outputs (LAD[3:0]) will be disable. Please reference to the "Standard LPC Memory Cycle Definition".



### 6.14.3 Standard LPC Memory Cycle Definition

FIELD	NO. OF CLOCKS	DESCRIPTION
Start	1	"0000b" appears on LPC bus to indicate the initial
Cycle Type & Dir	1	"010Xb" indicates memory read cycle; while "011xb" indicates memory write cycle. "X" mean don't have to care.
TAR	2	Turned Around Time
Addr.	8	Address Phase for Memory Cycle. LPC supports the 32 bits address protocol. The addresses transfer most significant nibble first and least significant nibble last. (i.e. Address[31:28] on LAD[3:0] first , and Address[3:0] on LAD[3:0] last.)
Sync.	N	Synchronous to add wait state. "0000b" means Ready, "0101b" means Short Wait, "0110b" means Long Wait, "1001b" for DMA only, "1010b" means error, other values are reserved.
Data	2	Data Phase for Memory Cycle. The data transfer least significant nibble first and most significant nibble last. (i.e. DQ[3:0] on LAD[3:0] first , then DQ[7:4] on LAD[3:0] last.)

### 6.15 Table of Command Definition

COMMAND DESCRIPTION	NO. OF CYCLES	1ST CYCLE	2ND CYCLE	3RD CYCLE	4TH CYCLE	5TH CYCLE	6TH CYCLE
		ADDR. DATA	ADDR. DATA	ADDR. DATA	ADDR. DATA	ADDR. DATA	ADDR. DATA
Read	1	A <sub>IN</sub> D <sub>OUT</sub>					
Chip Erase	6	5555 AA	2AAA 55	5555 80	5555 AA	2AAA 55	5555 10
Sector Erase	6	5555 AA	2AAA 55	5555 80	5555 AA	2AAA 55	SA <sup>(3)</sup> 30
Page Erase	6	5555 AA	2AAA 55	5555 80	5555 AA	2AAA 55	PA <sup>(4)</sup> 50
Byte Program	4	5555 AA	2AAA 55	5555 A0	A <sub>IN</sub> D <sub>IN</sub>		
Top Boot Block Lockout – 64K/16KByte	6	5555 AA	2AAA 55	5555 80	5555 AA	2AAA 55	5555 40/70
Product ID Entry	3	5555 AA	2AAA 55	5555 90			
Product ID Exit <sup>(1)</sup>	3	5555 AA	2AAA 55	5555 F0			
Product ID Exit <sup>(1)</sup>	1	XXXX F0					

#### Notes:

1. The cycle means the write command cycle not the LPC clock cycle.
2. The Column Address / Row Address are mapped to the Low / High order Internal Address. i.e. Column Address A[10:0] are mapped to the internal A[10:0], Row Address A[7:0] are mapped to the internal A[18:11]
3. Address Format: A14 – A0 (Hex); Data Format: DQ7 – DQ0 (Hex)
4. Either one of the two Product ID Exit commands can be used.
5. SA: Sector Address



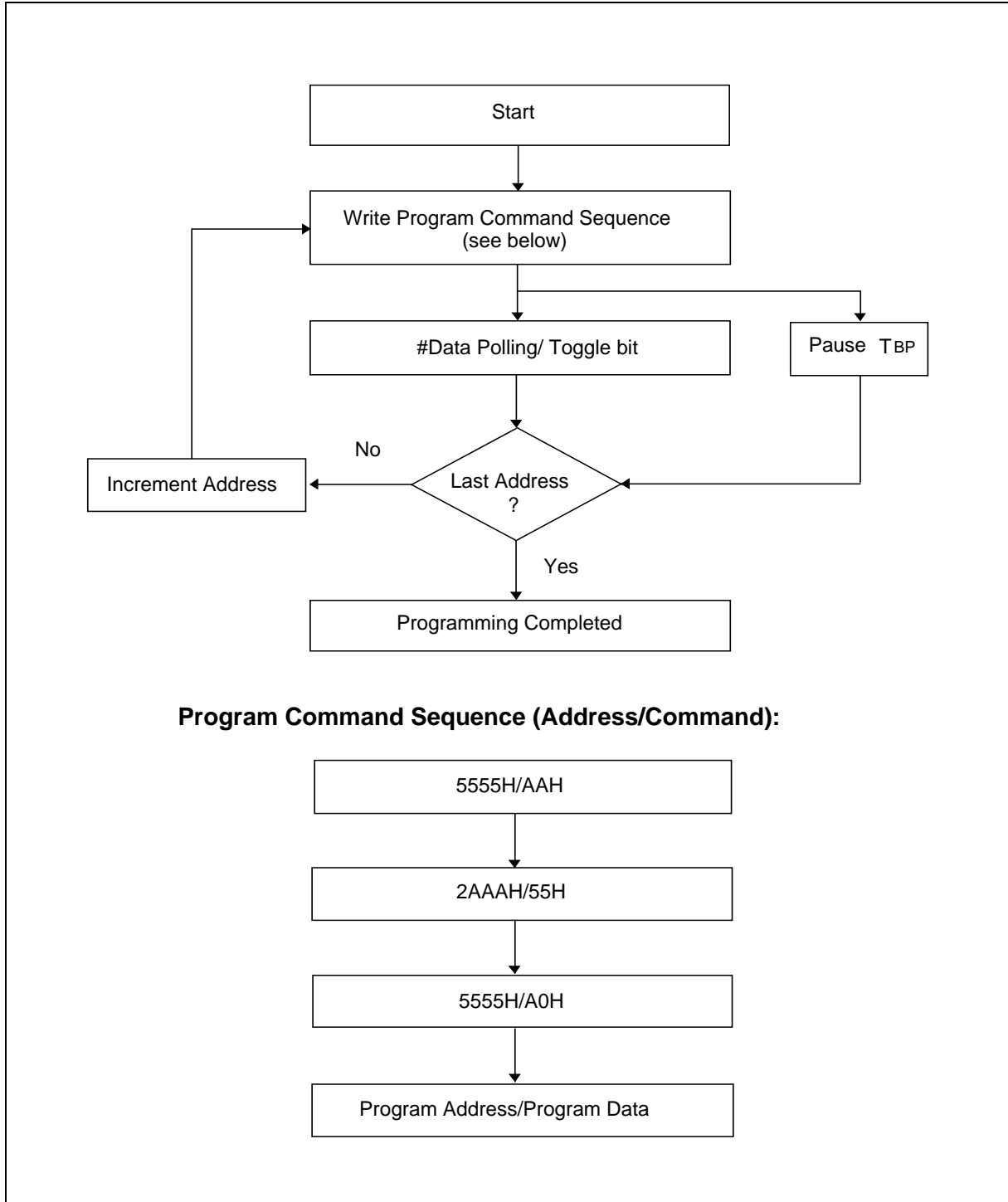
SA = 7XXXXh for Unique Sector7 (Boot Sector)	SA = 3XXXXh for Unique Sector3
SA = 6XXXXh for Unique Sector6	SA = 2XXXXh for Unique Sector2
SA = 5XXXXh for Unique Sector5	SA = 1XXXXh for Unique Sector1
SA = 4XXXXh for Unique Sector4	SA = 0XXXXh for Unique Sector0

6. PA: Page Address

PA = 7FXXXh for Page 15 in Sector 7	PA = 6FXXXh to 60XXXh for Page 15 to Page 0 in Sector 6 (Reference to the first column)	PA = 5FXXXh to 50XXXh for Page 15 to Page 0 in Sector 5 (Reference to the first column)	PA = 4FXXXh to 40XXXh for Page 15 to Page 0 in Sector 4 (Reference to the first column)	PA = 3FXXXh to 30XXXh for Page 15 to Page 0 in Sector 3 (Reference to the first column)	PA = 2FXXXh to 20XXXh for Page 15 to Page 0 in Sector 2 (Reference to the first column)	PA = 1FXXXh to 10XXXh for Page 15 to Page 0 in Sector 1 (Reference to the first column)	PA = 0FXXXh to 00XXXh for Page 15 to Page 0 in Sector 0 (Reference to the first column)
PA = 7EXXXh for Page 14 in Sector 7							
PA = 7DXXXh for Page 13 in Sector 7							
PA = 7CXXXh for Page 12 in Sector 7							
PA = 7BXXXh for Page 11 in Sector 7							
PA = 7AXXXh for Page 10 in Sector 7							
PA = 79XXXh for Page 9 in Sector 7							
PA = 78XXXh for Page 8 in Sector 7							
PA = 77XXXh for Page 7 in Sector 7							
PA = 76XXXh for Page 6 in Sector 7							
PA = 75XXXh for Page 5 in Sector 7							
PA = 74XXXh for Page 4 in Sector 7							
PA = 73XXXh for Page 3 in Sector 7							
PA = 72XXXh for Page 2 in Sector 7							
PA = 71XXXh for Page 1 in Sector 7							
PA = 70XXXh for Page 0 in Sector 7							

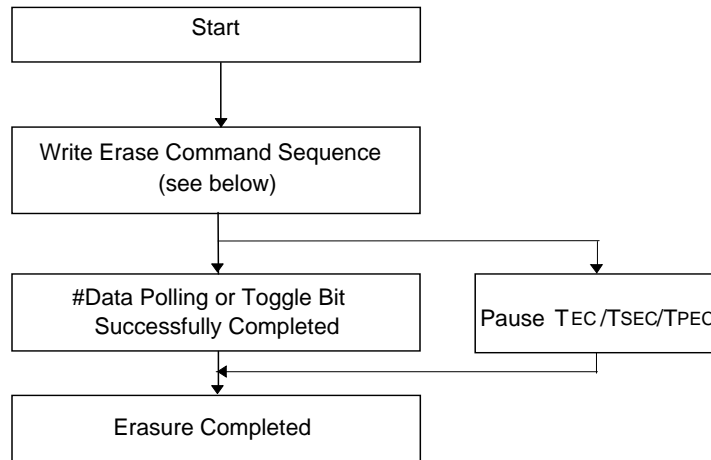


6.16 Embedded Programming Algorithm



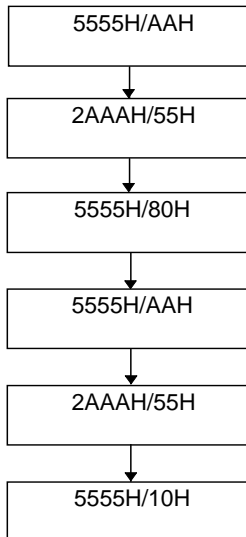


6.17 Embedded Erase Algorithm



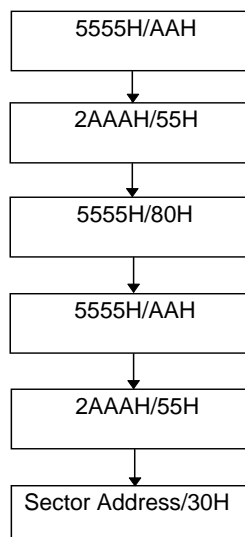
**Chip Erase Command Sequence**

(Address/Command):



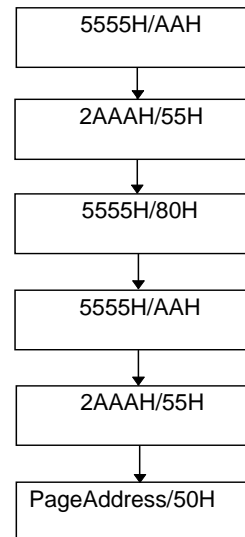
**Individual Sector Erase Command Sequence**

(Address/Command):



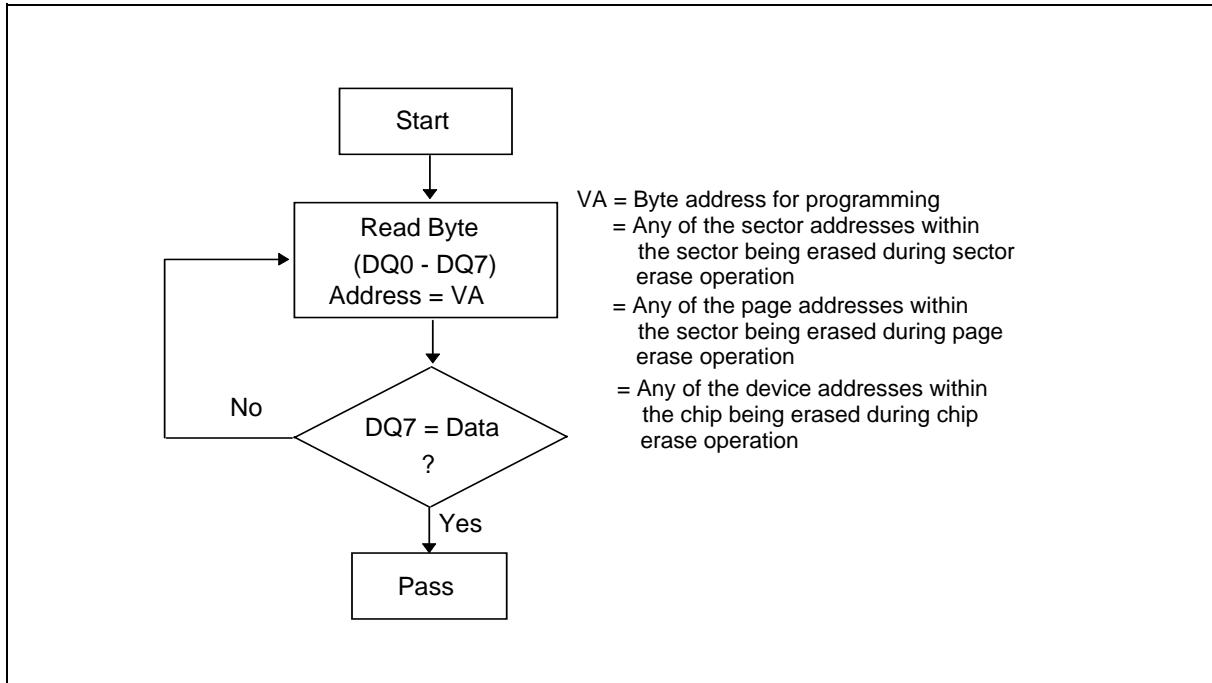
**Individual Page Erase Command Sequence**

(Address/Command):

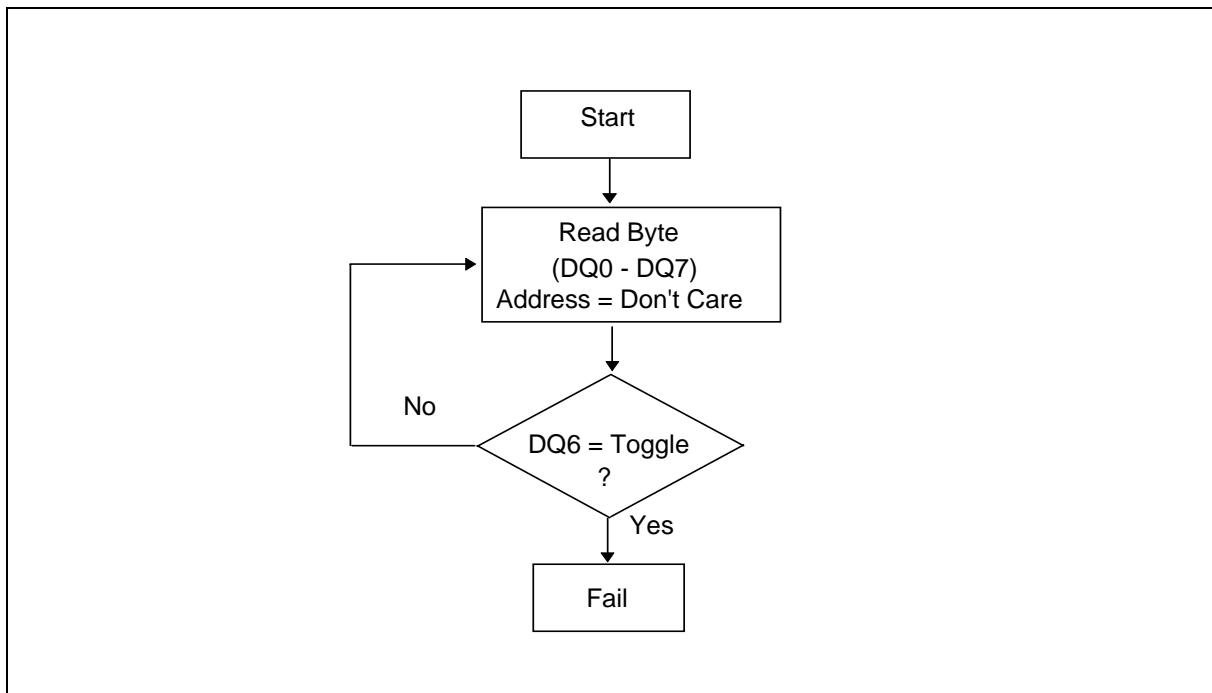




### 6.18 Embedded #Data Polling Algorithm

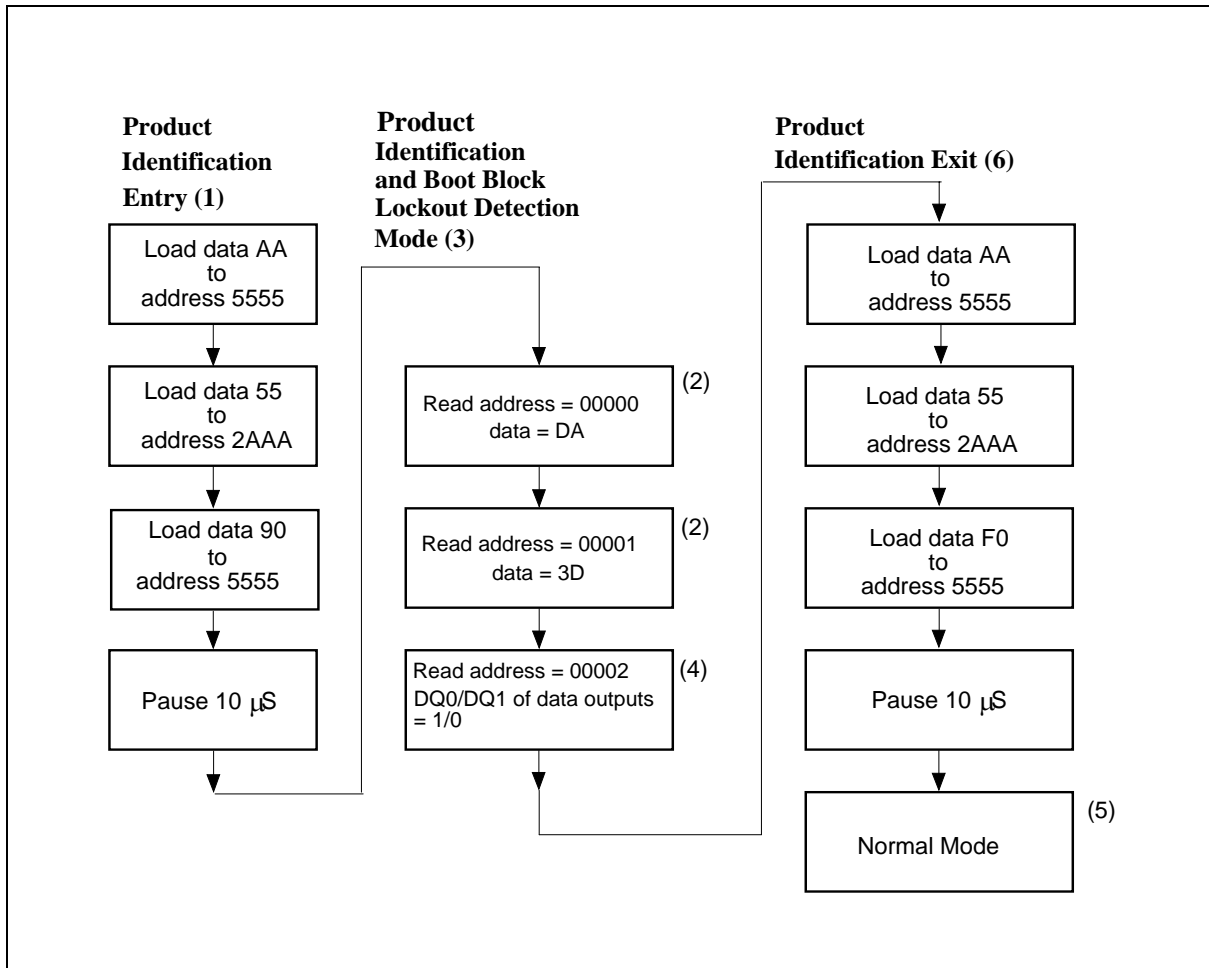


### 6.19 Embedded Toggle Bit Algorithm





### 6.20 Software Product Identification and Boot Block Lockout Detection Acquisition Flow



**Notes for software product identification/boot block lockout detection:**

- (1) Data Format: DQ7 – DQ0 (Hex); Address Format: A14 – A0 (Hex)
- (2) A1 – A18 = V<sub>IL</sub>; manufacture code is read for A0 = V<sub>IL</sub>; device code is read for A0 = V<sub>IH</sub>.
- (3) The device does not remain in “identification and boot block lockout detection” mode if power down.
- (4) The DQ[3:0] to indicate the sectors protect status as below:

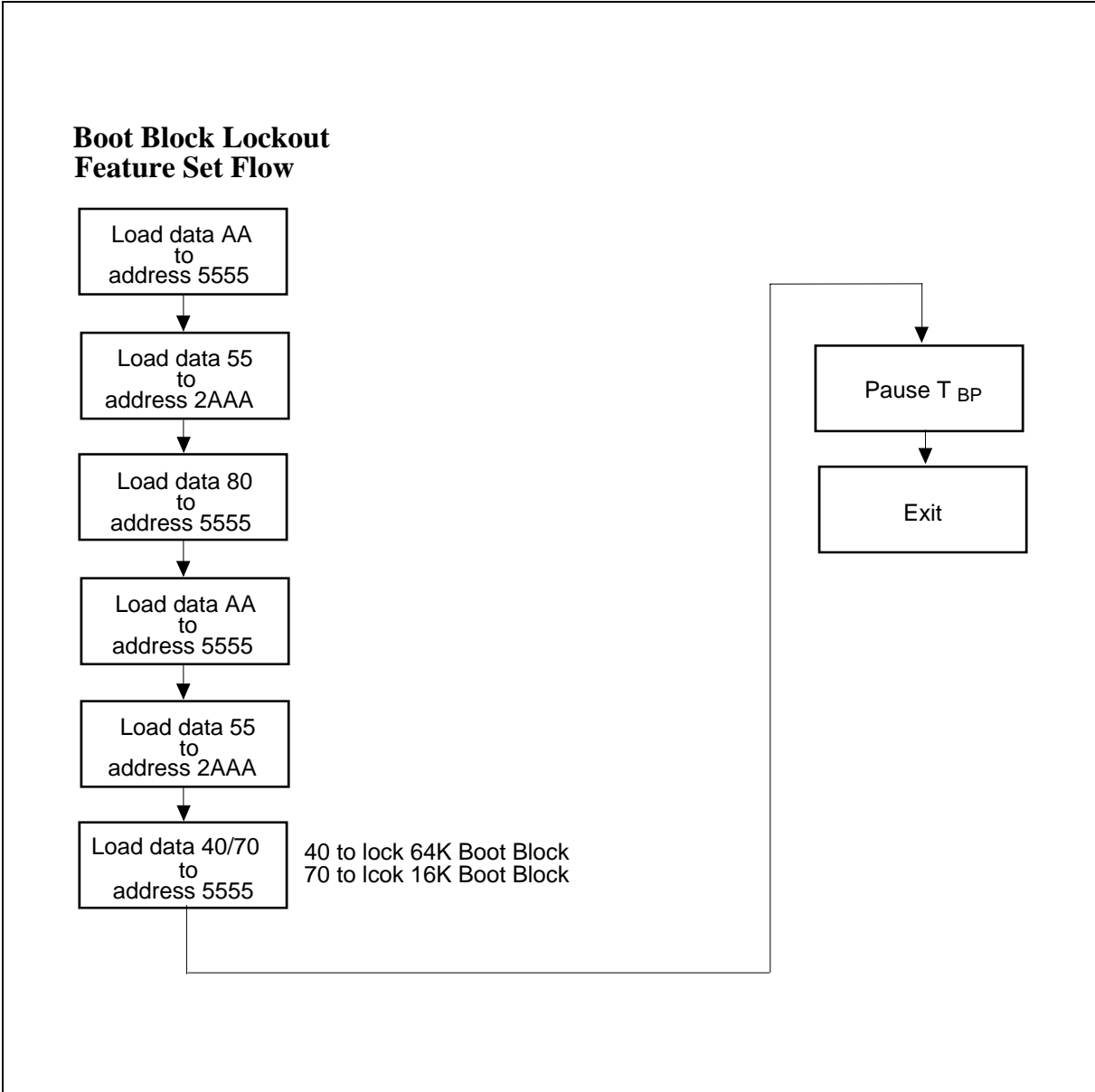
	DQ0	DQ1	DQ2	DQ3
0	64Kbytes Boot Block Unlocked by Software	16Kbytes Boot Block Unlocked by Software	64Kbytes Boot Block Unlocked by #TBL hardware trapping	Whole Chip Unlocked by #WP hardware trapping Except Boot Block
1	64Kbytes Boot Block Locked by Software	16Kbytes Boot Block Locked by Software	64Kbytes Boot Block Locked by #TBL hardware trapping	Whole Chip Locked by #WP hardware trapping Except Boot Block

- (5) The device returns to standard operation mode.
- (6) Optional 1-write cycle (write F0 hex at XXXX address) can be used to exit the “product identification/boot block lockout detection.”





6.21 Boot Block Lockout Enable Acquisition Flow





## 7. DC CHARACTERISTICS

### 7.1 Absolute Maximum Ratings

PARAMETER	RATING	UNIT
Power Supply Voltage to Vss Potential	-0.5 to +4.6	V
Operating Temperature	0 to +70	°C
Storage Temperature	-65 to +150	°C
D.C. Voltage on Any Pin to Ground Potential	-0.5 to VDD +0.5	V
Transient Voltage (<20 nS) on Any Pin to Ground Potential	-1.0 to VDD +0.5	V

**Note:** Exposure to conditions beyond those listed under Absolute Maximum Ratings may adversely affect the life and reliability of the device.

### 7.2 Programmer Interface Mode DC Operating Characteristics

(VDD = 3.3V ± 0.3V, VSS = 0V, TA = 0 to 70° C)

PARAMETER	SYM.	TEST CONDITIONS	LIMITS			UNIT
			MIN.	TYP.	MAX.	
Power Supply Current	ICC	In Read or Write mode, all DQs open Address inputs = 3.0V/0V, at f = 3 MHz	-	10	20	mA
Input Leakage Current	ILI	VIN = VSS to VDD	-	-	90	μA
Output Leakage Current	ILO	VOUT = VSS to VDD	-	-	90	μA
Input Low Voltage	VIL	-	-0.3	-	0.8	V
Input High Voltage	VIH	-	2.0	-	VDD +0.5	V
Output Low Voltage	VOL	IOL = 2.1 mA	-	-	0.45	V
Output High Voltage	VOH	IOH = -0.1mA	2.4	-	-	V



### 7.3 LPC Interface Mode DC Operating Characteristics

( $V_{DD} = 3.3V \pm 0.3V$ ,  $V_{SS} = 0V$ ,  $T_A = 0$  to  $70^\circ C$ )

PARAMETER	SYM.	TEST CONDITIONS	LIMITS			UNIT
			MIN.	TYP.	MAX.	
Power Supply Current	I <sub>CC</sub>	All I <sub>out</sub> = 0A, CLK = 33 MHz, in LPC mode operation.	-	12.5	20	mA
CMOS Standby Current	I <sub>sb1</sub>	#LFRAM = 0.9 V <sub>DD</sub> , CLK = 33 MHz, all inputs = 0.9 V <sub>DD</sub> / 0.1 V <sub>DD</sub>	-	5	25	μA
TTL Standby Current	I <sub>sb2</sub>	#LFRAM = 0.1 V <sub>DD</sub> , CLK = 33 MHz, all inputs = 0.9 V <sub>DD</sub> / 0.1 V <sub>DD</sub>	-	3	10	mA
Input Low Voltage	V <sub>IL</sub>	-	-0.5	-	0.3 V <sub>DD</sub>	V
Input Low Voltage of #INIT Pin	V <sub>ILI</sub>	-	-0.5	-	0.2 V <sub>DD</sub>	V
Input High Voltage	V <sub>IH</sub>	-	0.5 V <sub>DD</sub>	-	V <sub>DD</sub> +0.5	V
Input High Voltage of #INIT Pin	V <sub>IHI</sub>	-	1.35V	-	V <sub>DD</sub> +0.5	V
Output Low Voltage	V <sub>OL1</sub>	I <sub>OL</sub> = 1.5 mA	-	-	0.1 V <sub>DD</sub>	V
Output High Voltage	V <sub>OH1</sub>	I <sub>OH</sub> = -0.5 mA	0.9 V <sub>DD</sub>	-	V <sub>DD</sub>	V

### 7.4 Power-up Timing

PARAMETER	SYMBOL	TYPICAL	UNIT
Power-up to Read Operation	TPU. READ	100	μS
Power-up to Write Operation	TPU. WRITE	5	mS

### 7.5 Capacitance

( $V_{DD} = 3.3V$ ,  $T_A = 25^\circ C$ ,  $f = 1$  MHz)

PARAMETER	SYMBOL	CONDITIONS	MAX.	UNIT
I/O Pin Capacitance	C <sub>I/O</sub>	V <sub>I/O</sub> = 0V	12	pF
Input Capacitance	C <sub>IN</sub>	V <sub>IN</sub> = 0V	6	pF

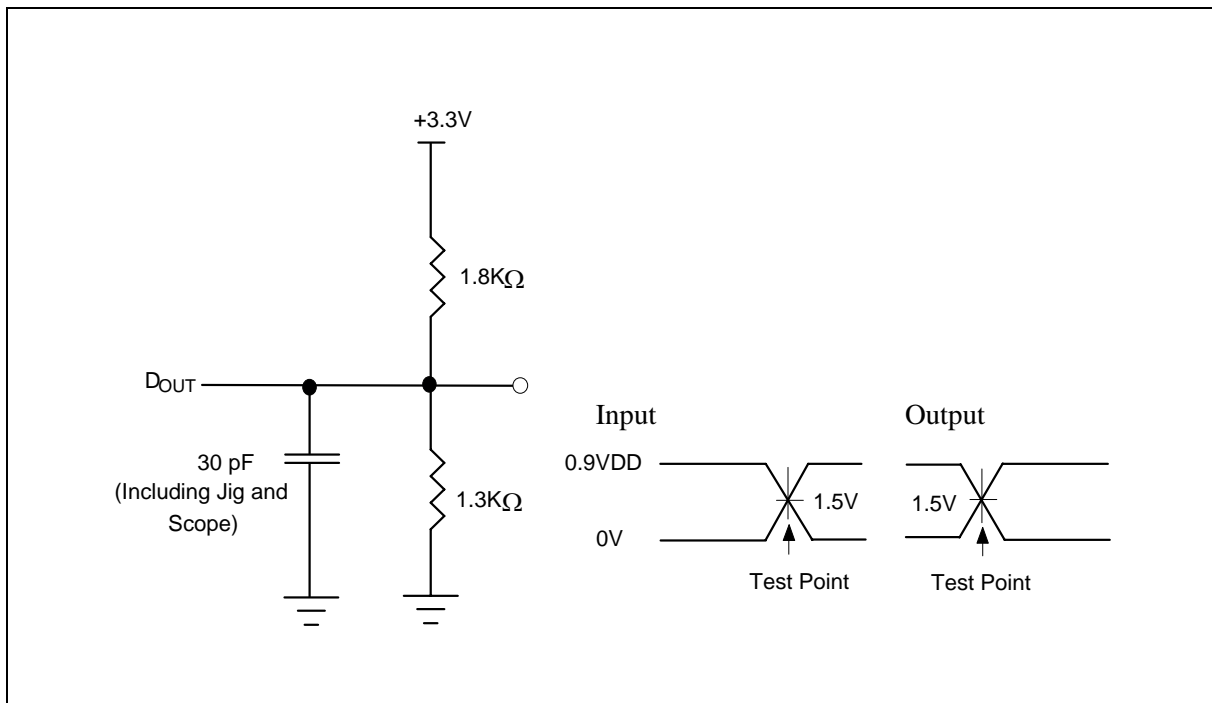


## 8. PROGRAMMER INTERFACE MODE AC CHARACTERISTICS

### 8.1 AC Test Conditions

PARAMETER	CONDITIONS
Input Pulse Levels	0V to 0.9 V <sub>DD</sub>
Input Rise/Fall Time	< 5 nS
Input/Output Timing Level	1.5V/1.5V
Output Load	1 TTL Gate and C <sub>L</sub> = 30 pF

### 8.2 AC Test Load and Waveform





## 9. AC CHARACTERISTICS

### 9.1 Read Cycle Timing Parameters

(V<sub>DD</sub> = 3.3V ±0.3V, V<sub>SS</sub> = 0V, T<sub>A</sub> = 0 to 70° C)

PARAMETER	SYMBOL	W39V040A		UNIT
		MIN.	MAX.	
Read Cycle Time	TRC	300	-	nS
Row/Column Address Set Up Time	TAS	50	-	nS
Row/Column Address Hold Time	TAH	50	-	nS
Address Access Time	TAA	-	175	nS
Output Enable Access Time	TOE	-	75	nS
#OE Low to Act Output	TOLZ	0	-	nS
#OE High to High-Z Output	TOHZ	-	35	nS
Output Hold from Address Change	TOH	0	-	nS

### 9.2 Write Cycle Timing Parameters

PARAMETER	SYMBOL	MIN.	TYP.	MAX.	UNIT
Reset Time	TRST	1	-	-	μS
Address Setup Time	TAS	50	-	-	nS
Address Hold Time	TAH	50	-	-	nS
R/#C to Write Enable High Time	TCWH	50	-	-	nS
#WE Pulse Width	TWP	100	-	-	nS
#WE High Width	TWPH	100	-	-	nS
Data Setup Time	TDS	50	-	-	nS
Data Hold Time	TDH	50	-	-	nS
#OE Hold Time	TOEH	0	-	-	nS
Byte Programming Time	TBP	-	35	50	μS
Sector/Page Erase Cycle Time	TPEC	-	20	25	mS
Chip Erase Cycle Time	TEC	-	75	100	mS

**Note:** All AC timing signals observe the following guidelines for determining setup and hold times:

- (a) High level signal's reference level is input high and (b) low level signal's reference level is input low.  
Ref. to the AC testing condition.

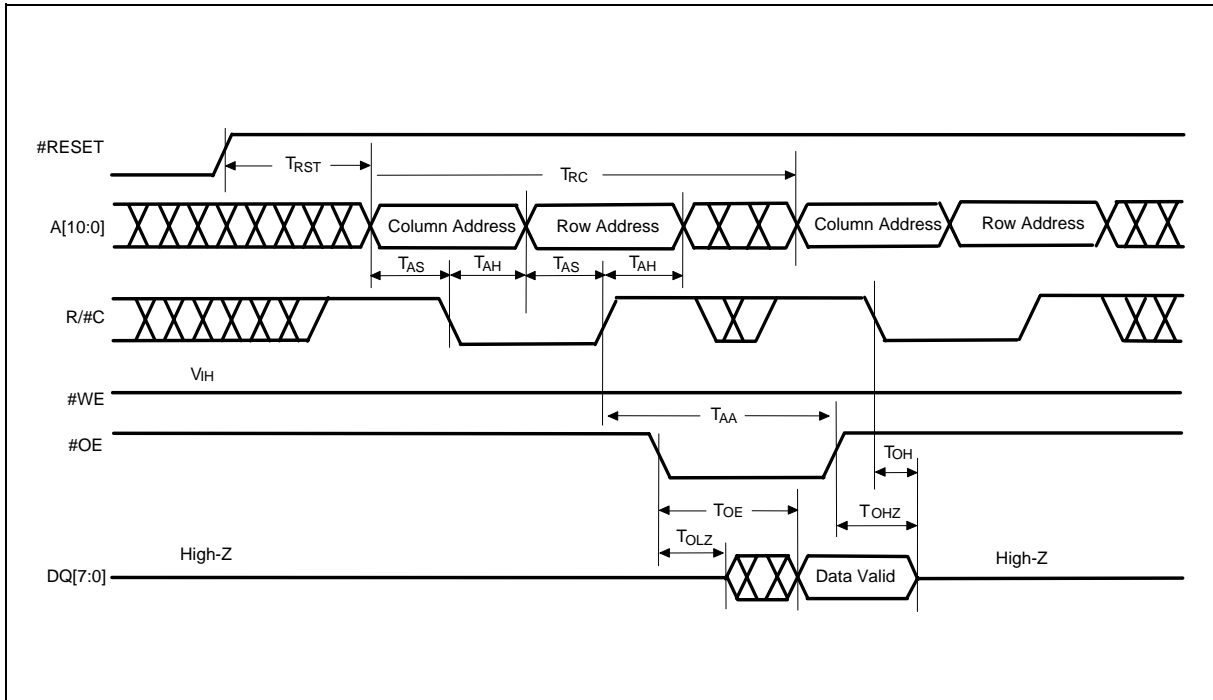
### 9.3 Data Polling and Toggle Bit Timing Parameters

PARAMETER	SYMBOL	W39V040A		UNIT
		MIN.	MAX.	
#OE to Data Polling Output Delay	TOEP	-	40	nS
#OE to Toggle Bit Output Delay	TOET	-	40	nS

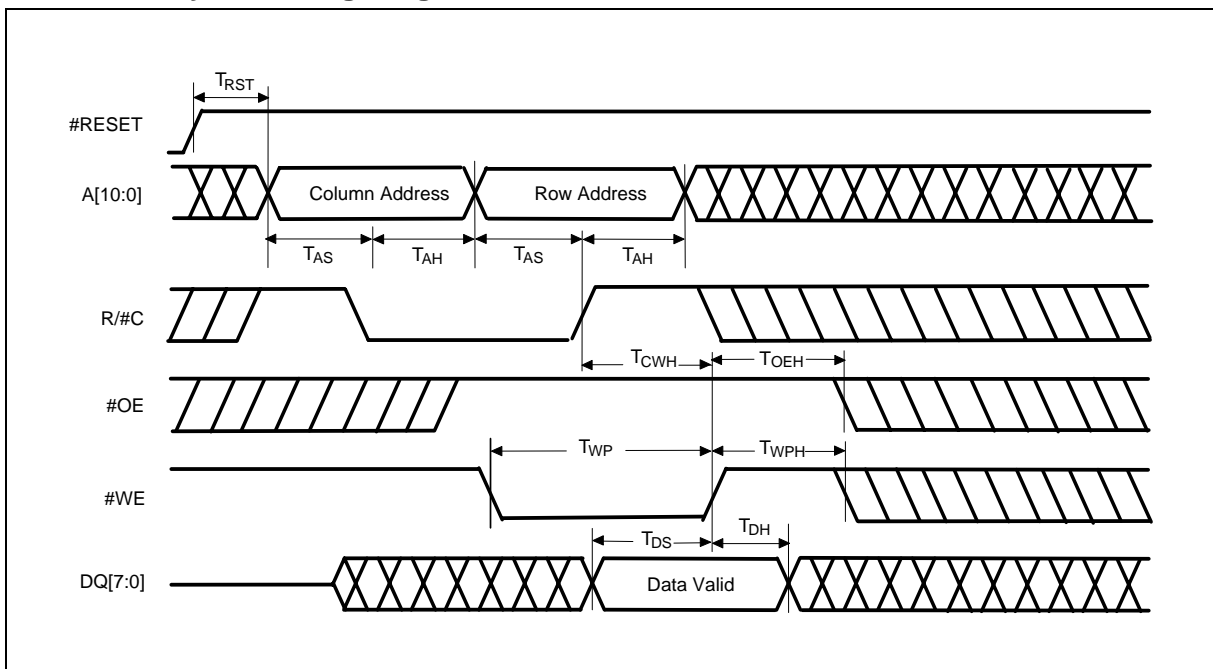


## 10. TIMING WAVEFORMS FOR PROGRAMMER INTERFACE MODE

### 10.1 Read Cycle Timing Diagram



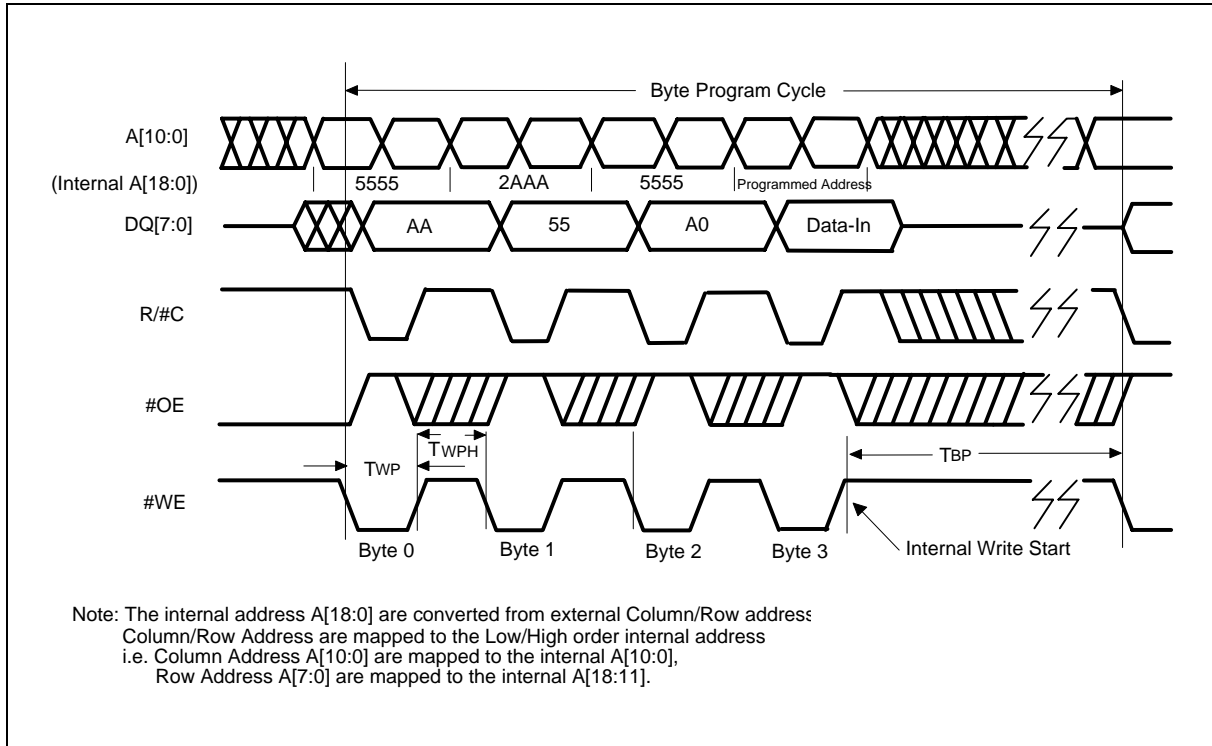
### 10.2 Write Cycle Timing Diagram



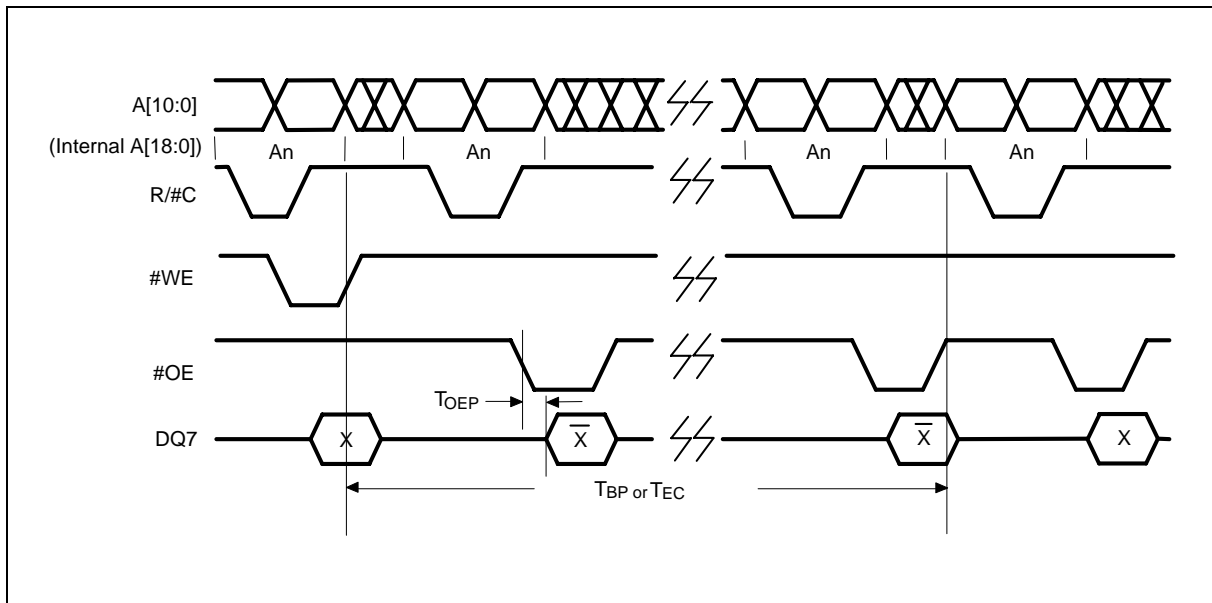


Timing Waveforms for Programmer Interface Mode, continued

### 10.3 Program Cycle Timing Diagram



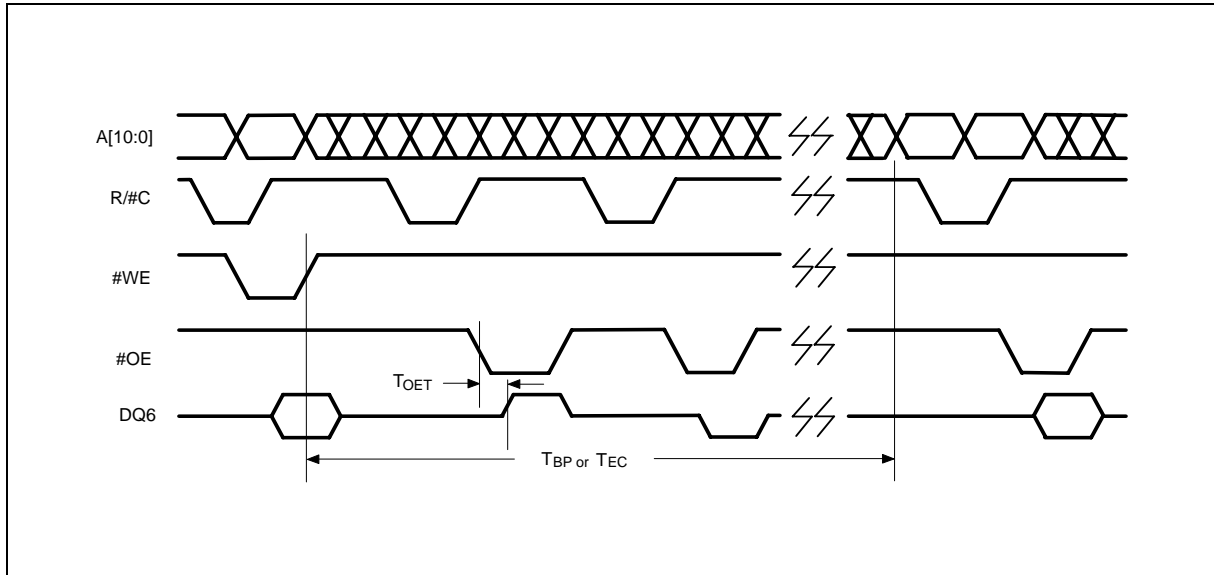
### 10.4 #DATA Polling Timing Diagram



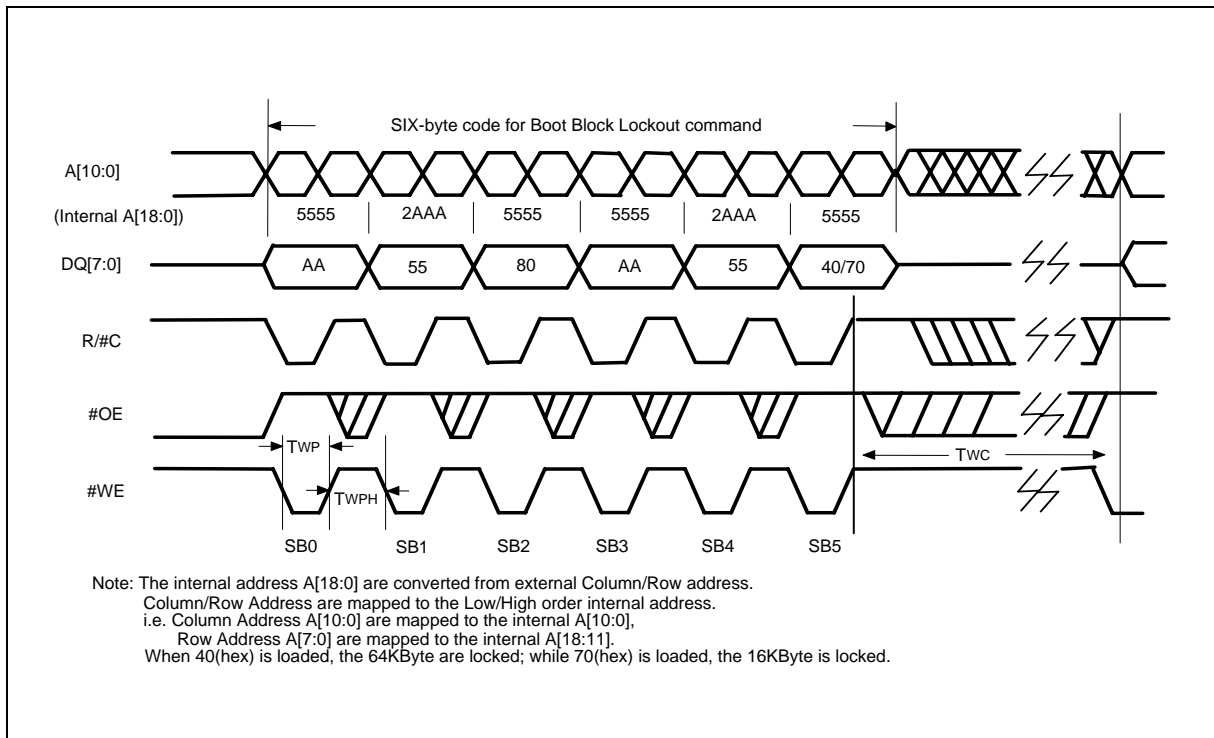


Timing Waveforms for Programmer Interface Mode, continued

### 10.5 Toggle Bit Timing Diagram



### 10.6 Boot Block Lockout Enable Timing Diagram

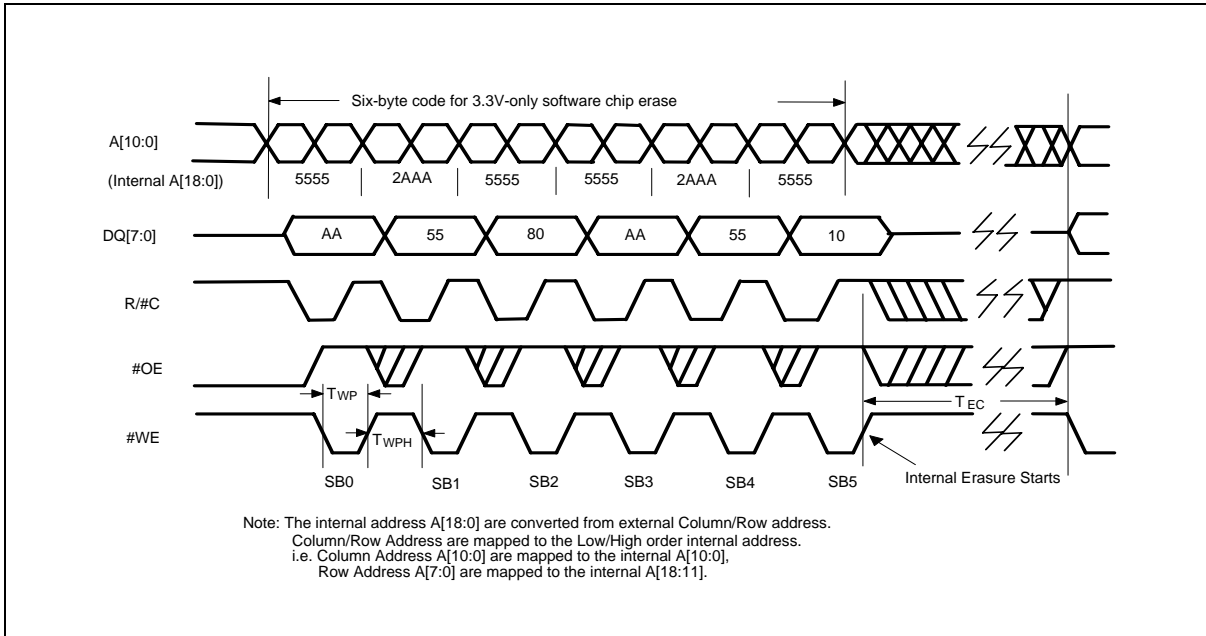




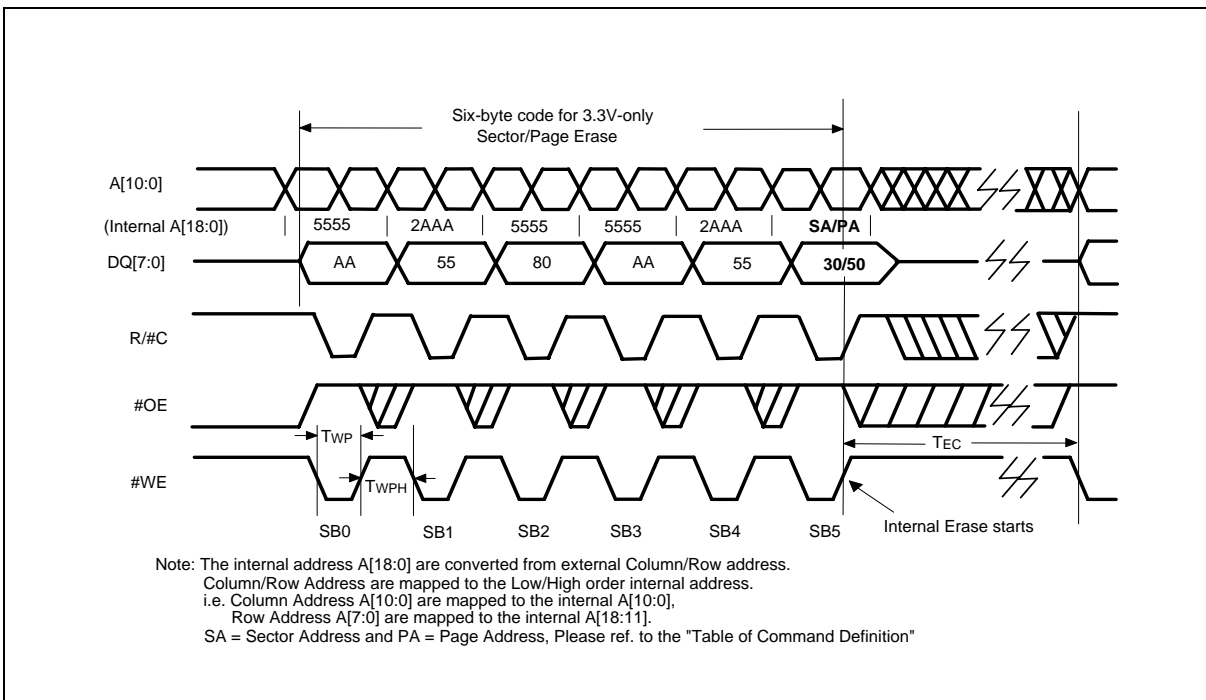


Timing Waveforms for Programmer Interface Mode, continued

### 10.7 Chip Erase Diagram



### 10.8 Sector/Page Erase Timing Diagram





## 11. LPC INTERFACE MODE AC CHARACTERISTICS

### 11.1 AC Test Conditions

PARAMETER	CONDITIONS
Input Pulse Levels	0.6 V <sub>DD</sub> to 0.2 V <sub>DD</sub>
Input Rise/Fall Slew Rate	1 V/nS
Input/Output Timing Level	0.4 V <sub>DD</sub> / 0.4 V <sub>DD</sub>
Output Load	1 TTL Gate and C <sub>L</sub> = 10 pF

### 11.2 Read/Write Cycle Timing Parameters

(V<sub>DD</sub> = 3.3V ±0.3V, V<sub>SS</sub> = 0V, T<sub>A</sub> = 0 to 70° C)

PARAMETER	SYMBOL	W39V040A		UNIT
		MIN.	MAX.	
Clock Cycle Time	TCYC	30	-	nS
Input Set Up Time	TSU	7	-	nS
Input Hold Time	THD	0	-	nS
Clock to Data Valid	TKQ	2	11	nS

**Note:** Minimum and Maximum time has different loads. Please refer to PCI specification.

### 11.3 Reset Timing Parameters

PARAMETER	SYMBOL	MIN.	TYP.	MAX.	UNIT
V <sub>DD</sub> Stable to Reset Active	T <sub>PRST</sub>	1	-	-	mS
Clock Stable to Reset Active	T <sub>KRST</sub>	100	-	-	μS
Reset Pulse Width	T <sub>RSTP</sub>	100	-	-	nS
Reset Active to Output Float	T <sub>RSTF</sub>	-	-	50	nS
Reset Inactive to Input Active	T <sub>RST</sub>	1	-	-	μS

**Note:** All AC timing signals observe the following guidelines for determining setup and hold times:

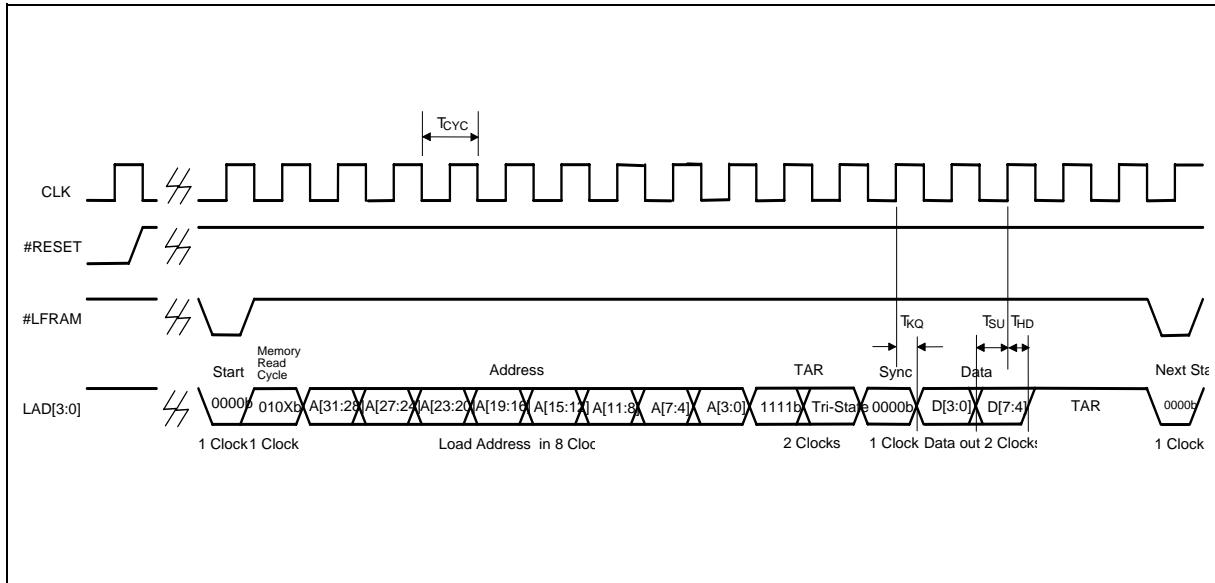
(a) High level signal's reference level is input high and (b) low level signal's reference level is input low.

Ref. to the AC testing condition.

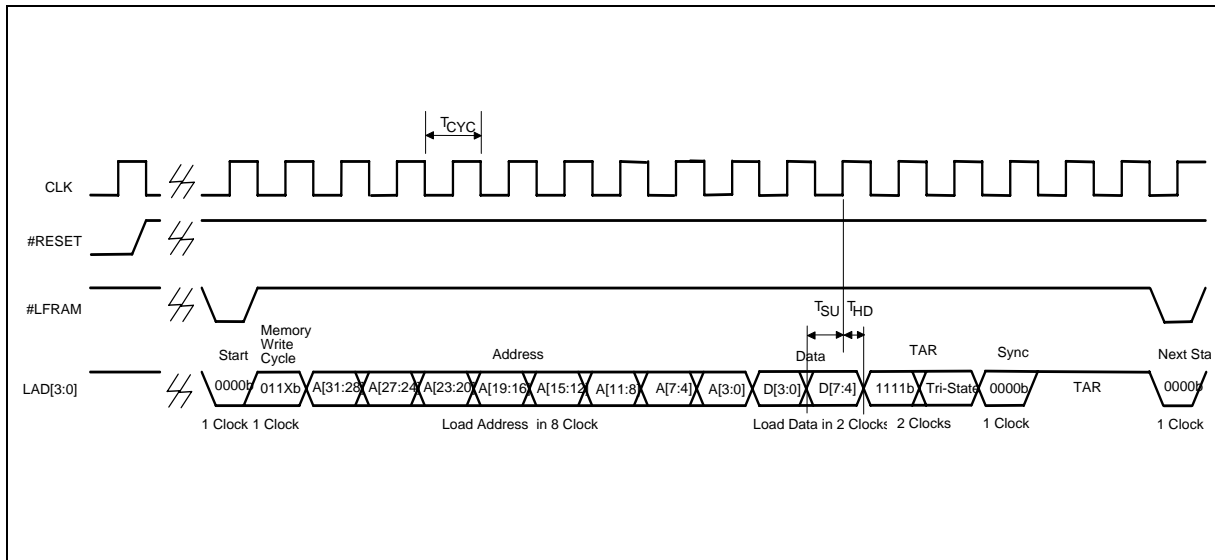


## 12. TIMING WAVEFORMS FOR LPC INTERFACE MODE

### 12.1 Read Cycle Timing Diagram



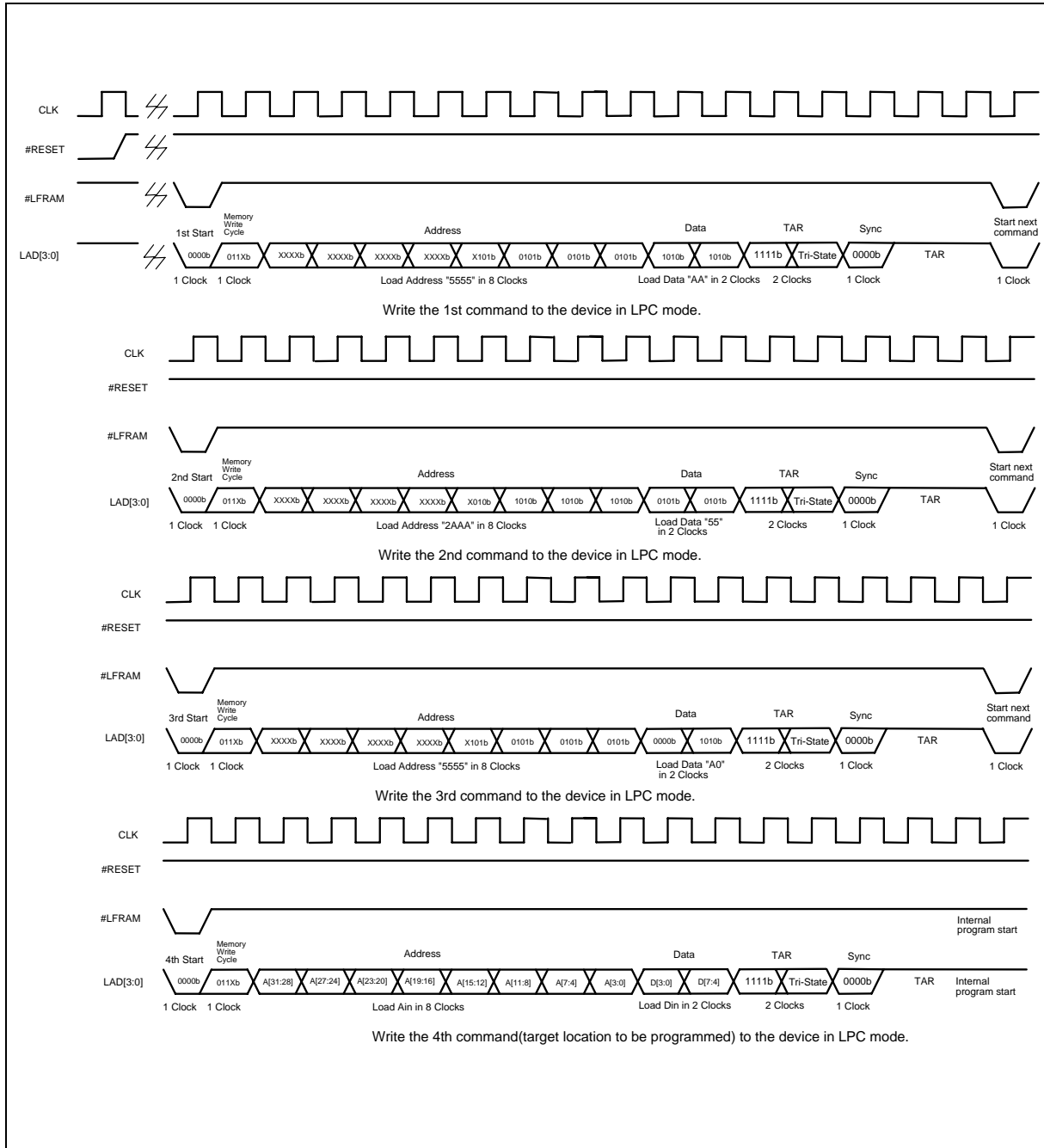
### 12.2 Write Cycle Timing Diagram





Timing Waveforms for LPC Interface Mode, continued

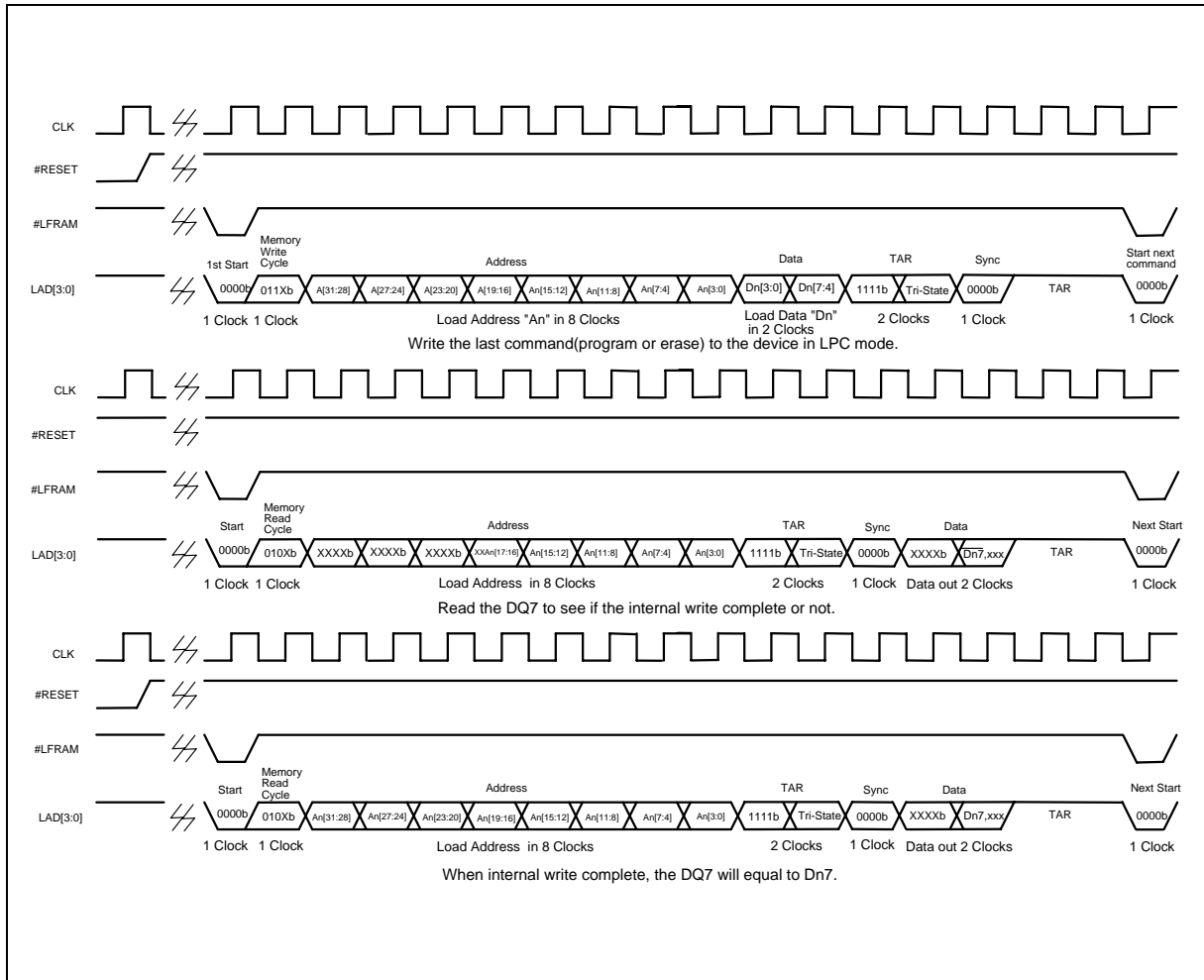
### 12.3 Program Cycle Timing Diagram





Timing Waveforms for LPC Interface Mode, continued

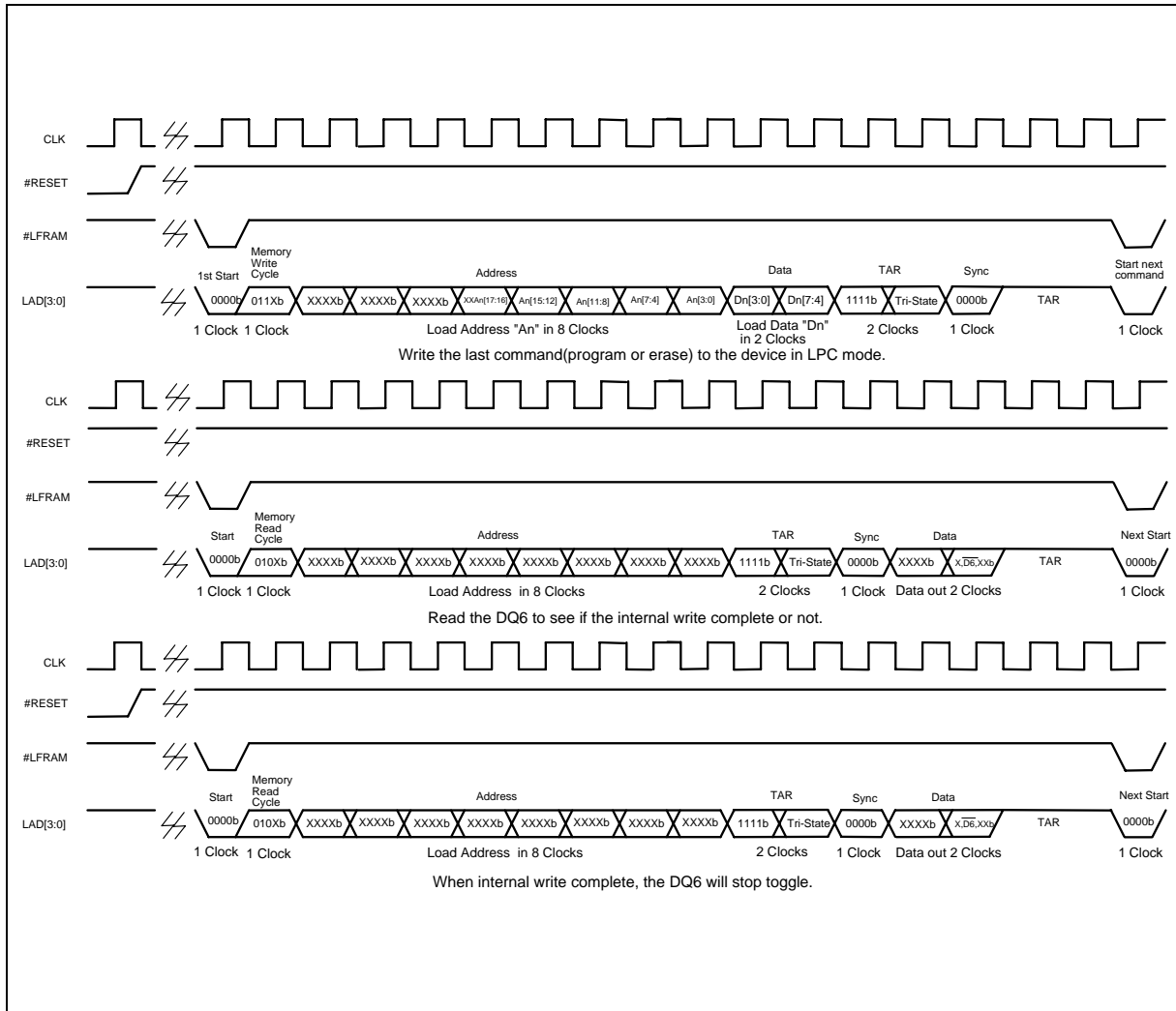
### 12.4 #DATA Polling Timing Diagram





Timing Waveforms for LPC Interface Mode, continued

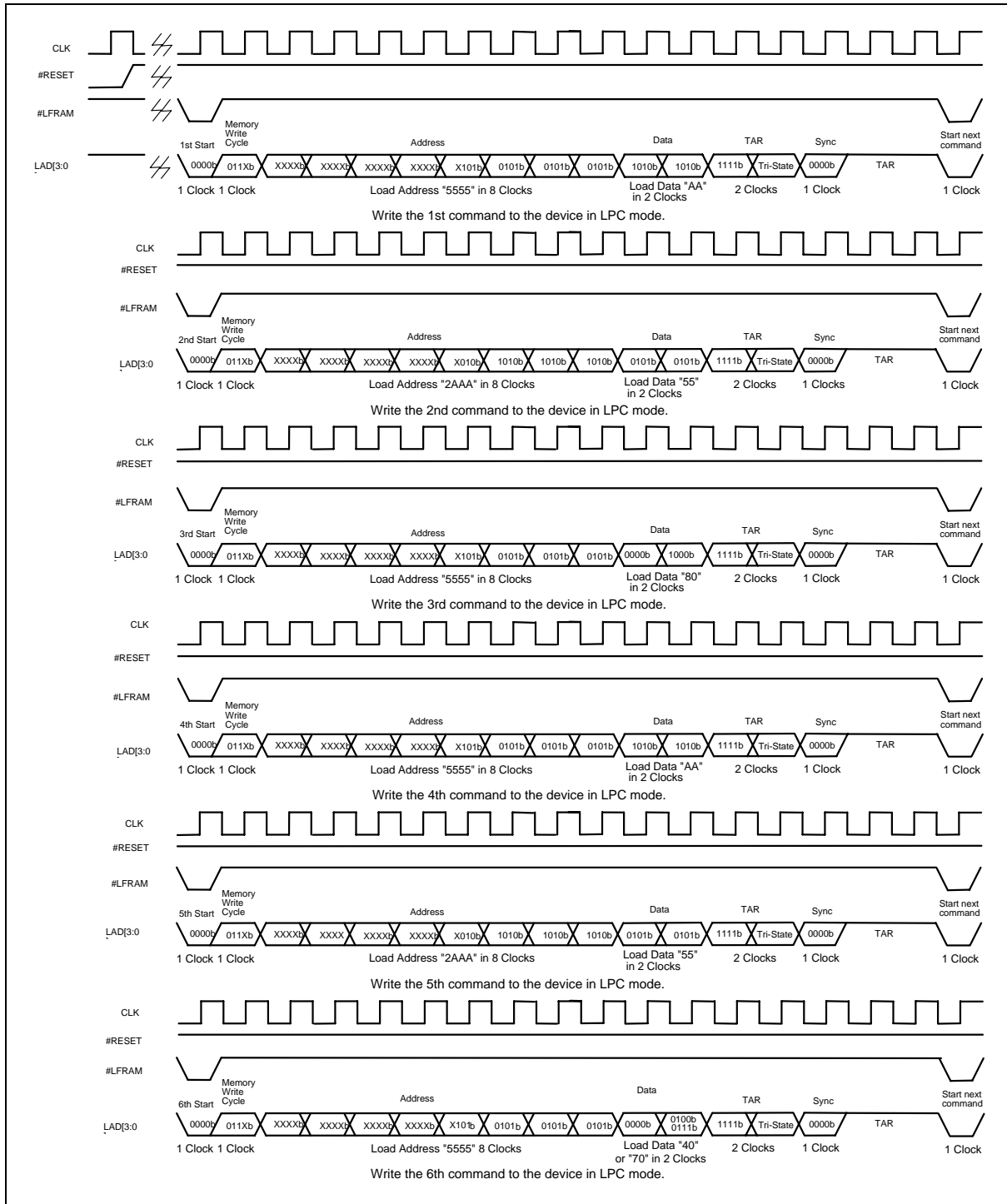
### 12.5 Toggle Bit Timing Diagram





Timing Waveforms for LPC Interface Mode, continued

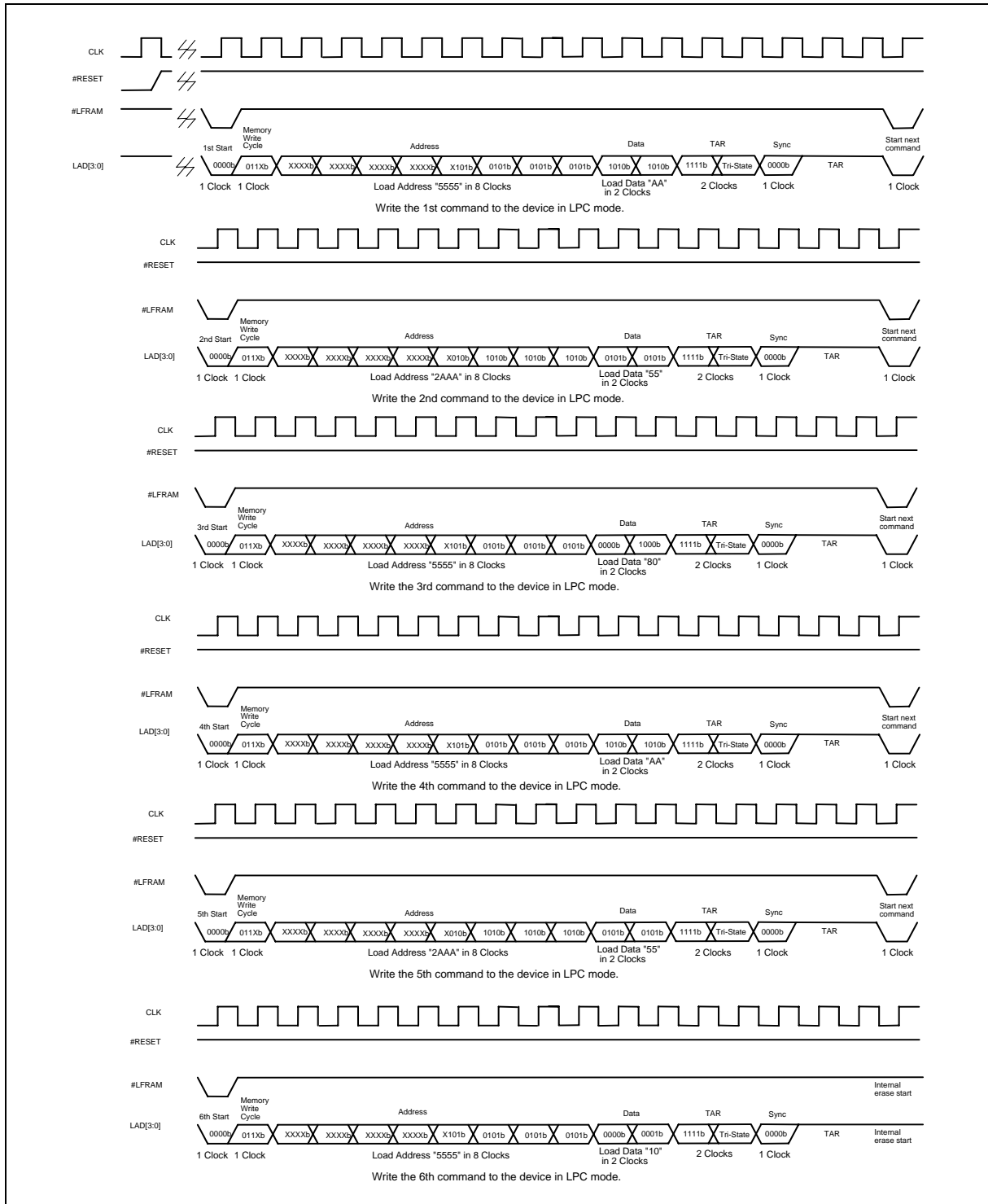
### 12.6 Boot Block Lockout Enable Timing Diagram





Timing Waveforms for LPC Interface Mode, continued

### 12.7 Chip Erase Timing Diagram

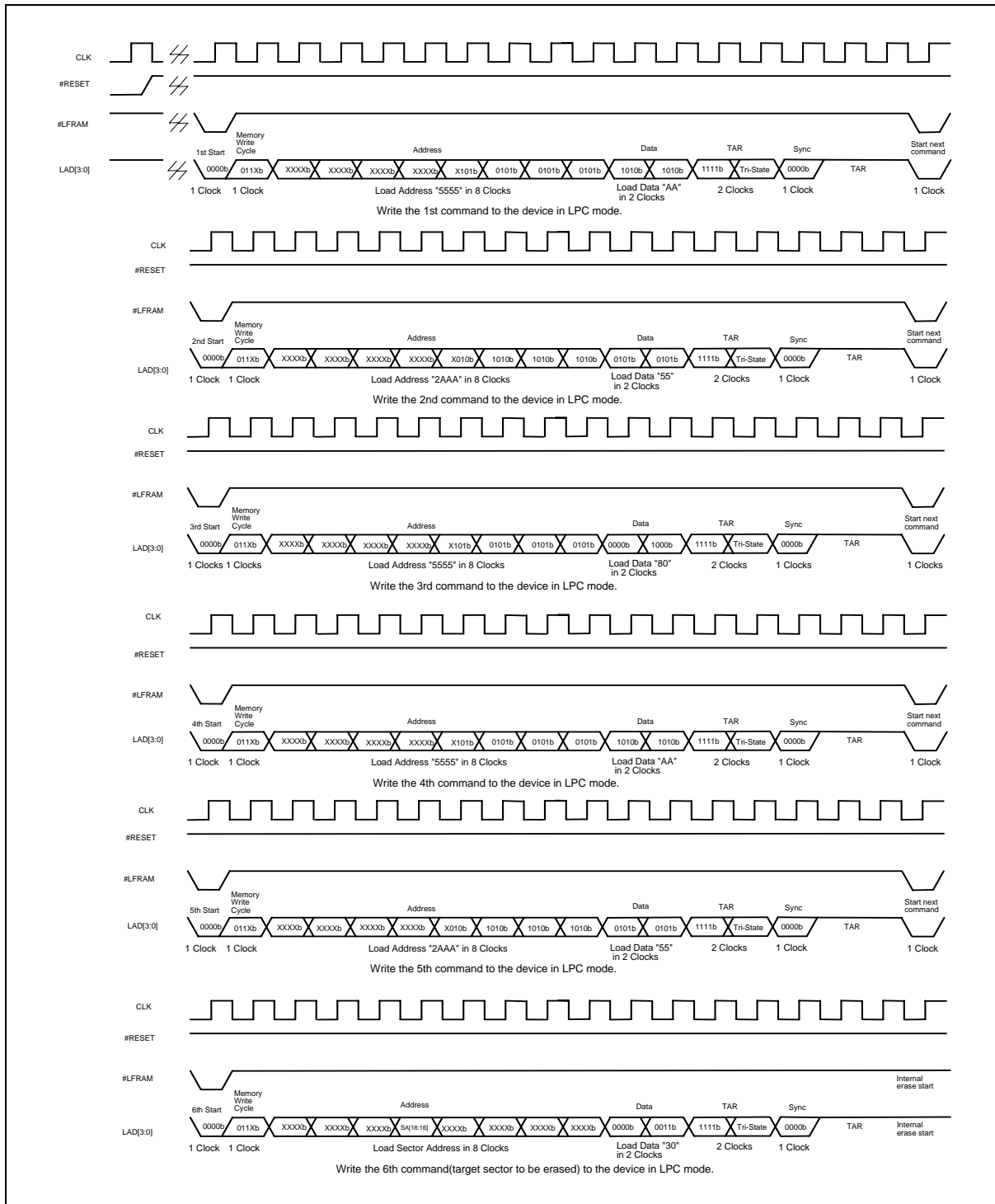






Timing Waveforms for LPC Interface Mode, continued

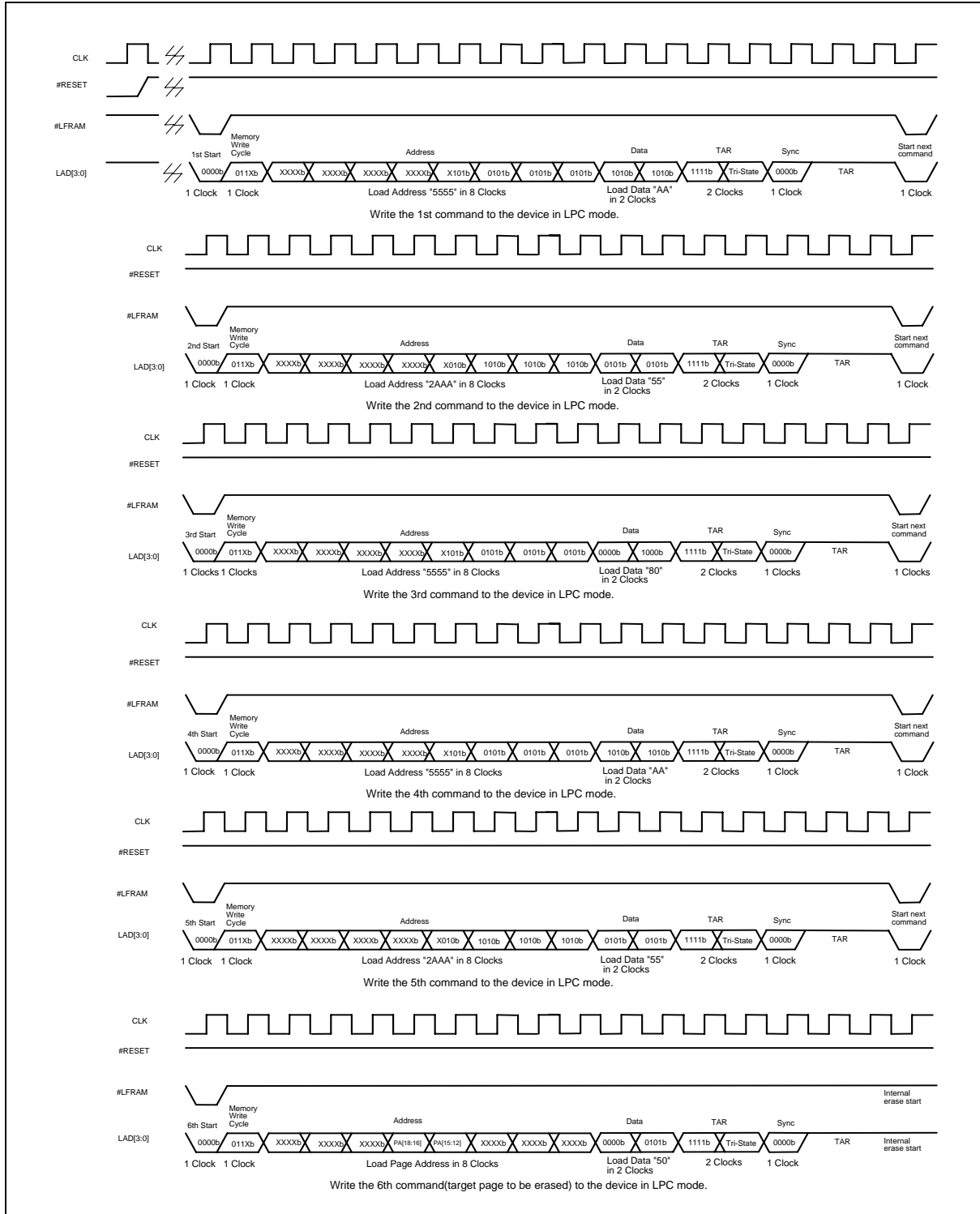
### 12.8 Sector Erase Timing Diagram





Timing Waveforms for LPC Interface Mode, continued

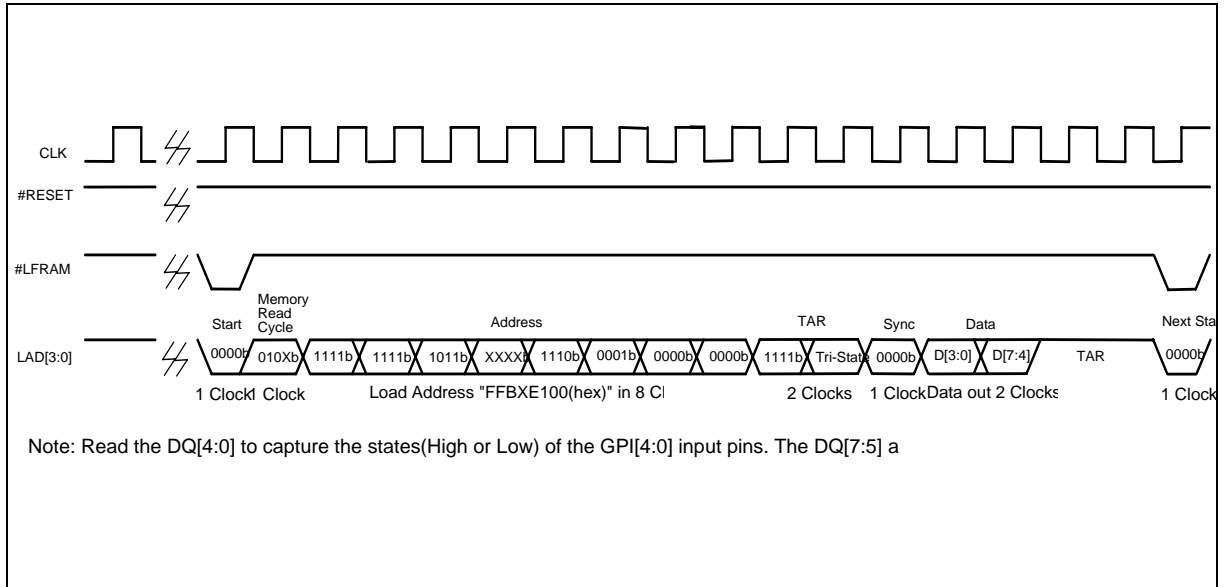
### 12.9 Page Erase Timing Diagram



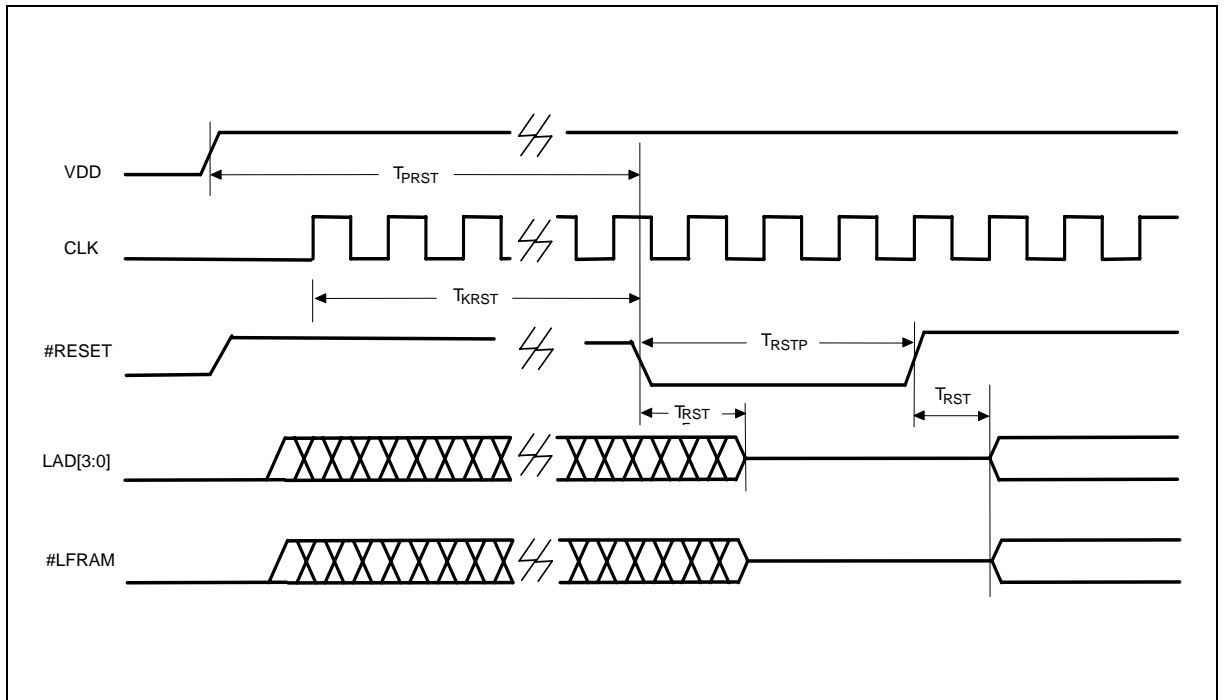


Timing Waveforms for LPC Interface Mode, continued

### 12.10 GPI Register Readout Timing Diagram



### 12.11 Reset Timing Diagram





**13. ORDERING INFORMATION**

PART NO.	ACCESS TIME (NS)	POWER SUPPLY CURRENT MAX. (MA)	STANDBY VDD CURRENT MAX. (MA)	PACKAGE
W39V040AP	11	20	10	32L PLCC
W39V040AQ	11	20	10	32L STSOP
W39V040AT	11	20	10	40L TSOP
W39V040APZ	11	20	10	32L PLCC Lead free
W39V040AQZ	11	20	10	32L STSOP Lead free
W39V040ATZ	11	20	10	40L TSOP Lead free

**Notes:**

1. Winbond reserves the right to make changes to its products without prior notice.
2. Purchasers are responsible for performing appropriate quality assurance testing on products intended for use in applications where personal injury might occur as a consequence of product failure.

**14. HOW TO READ THE TOP MARKING**

Example: The top marking of 32-pin STSOP W39V040AQ



1<sup>st</sup> line: Winbond logo

2<sup>nd</sup> line: the part number: W39V040AQ

3<sup>rd</sup> line: the lot number

4<sup>th</sup> line: the tracking code: 149 O B SA

149: Packages made in '01, week 49

O: Assembly house ID: A means ASE, O means OSE, ... etc.

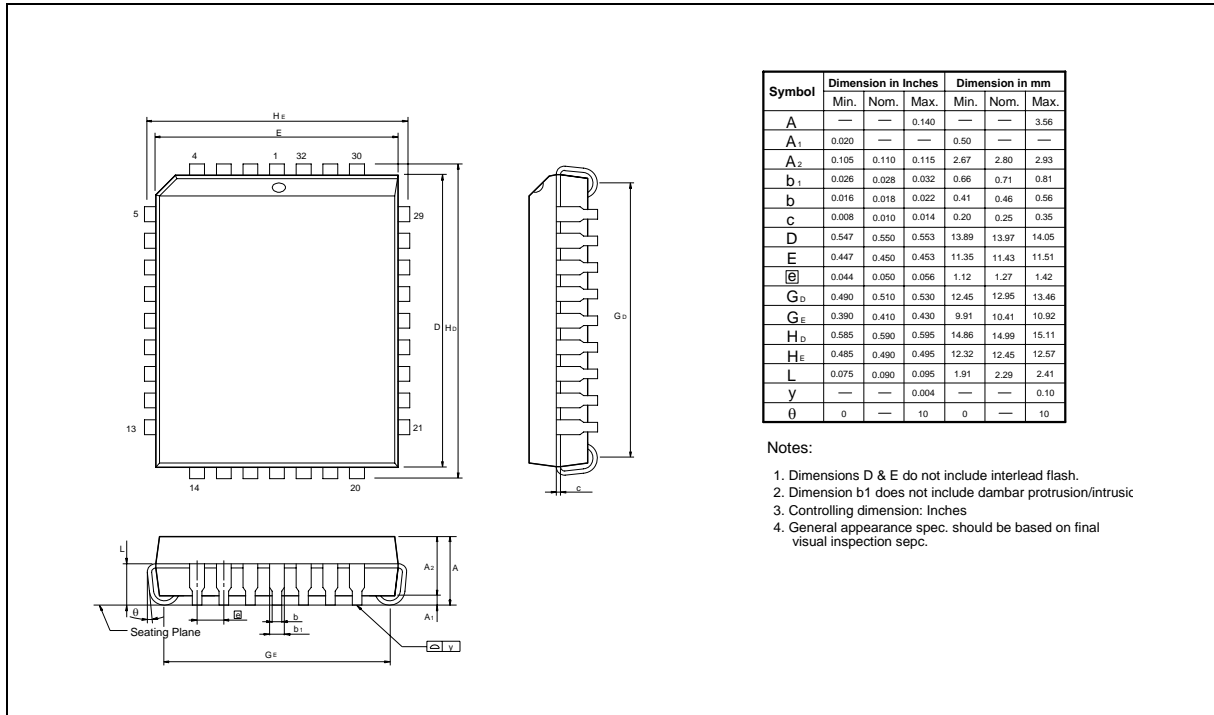
B: IC revision; A means version A, B means version B, ... etc.

SA: Process code

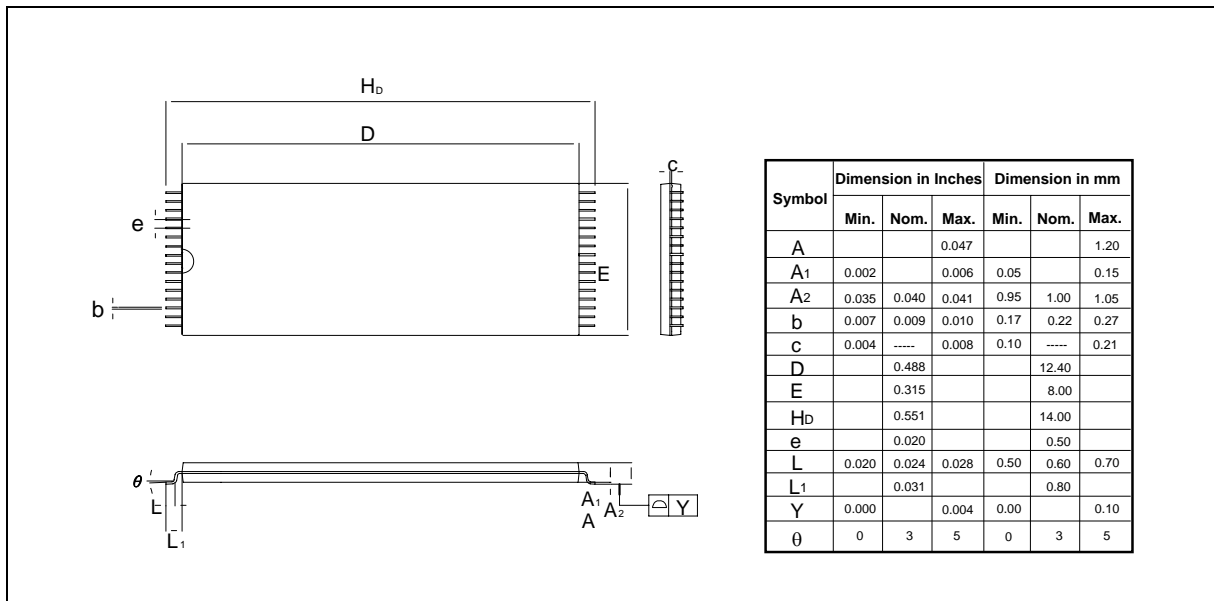


15. PACKAGE DIMENSIONS

15.1 32L PLCC



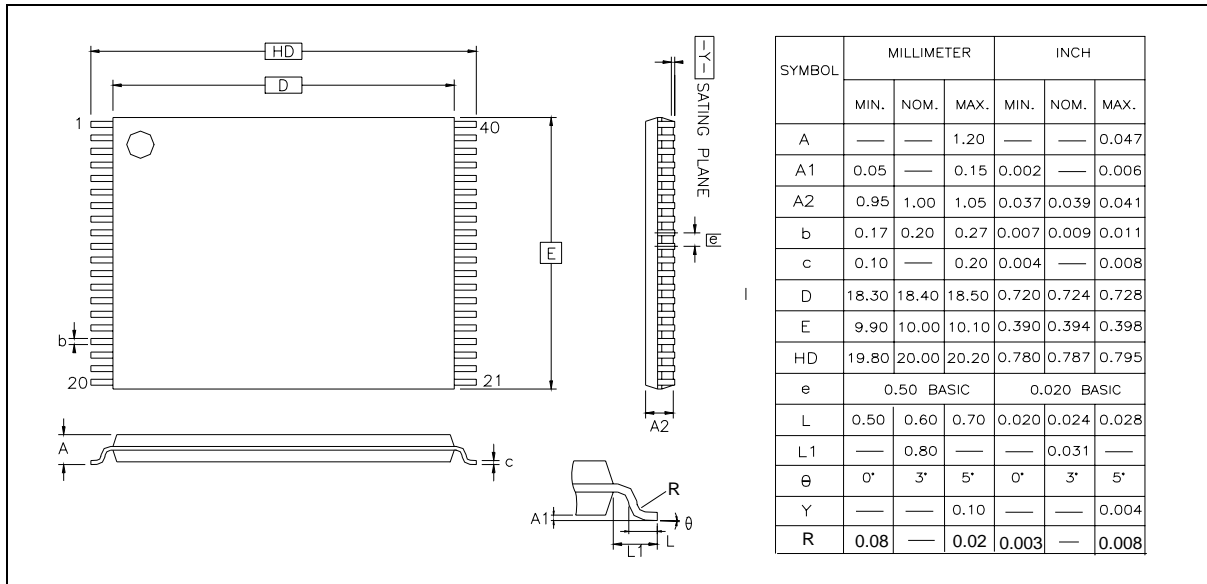
15.2 32L STSOP(8 mm x 14 mm)





Package Dimensions, continued

15.3 40L TSOP (10 mm x 20 mm)



16. REVISION HISTORY

VERSION	DATE	PAGE	DESCRIPTION
A1	Oct. 8, 2002	-	Initial Issued
A2	Dec. 16, 2002	14	Modify PGM mode power supply current (Icc) parameter from 20mA(typ.) to 10mA(typ.) and 30mA(max.) to 20mA(max.)
		1, 15, 32	Modify LPC mode power supply current (Icc) parameter from 40mA(typ.) to 12.5mA(typ.) and 60mA(max.) to 20mA(max.)
		15	Modify CMOS standby current (I <sub>sb1</sub> ) parameter from 20μA(typ.) to 5μA (typ.) and 100μA (max.) to 25μA (max.)
A3	Nov. 19, 2003	5	Redefine alternative memory address as "FFBxE100(hex) or FFxx0100(hex)" in General Purpose Inputs Register
		6	Add in Alternative GPI Register Memory Address Table
		3	Modify the description of Interface Mode Selection: When Mode pin is set to VDD, the device will be in the Programmer mode. (VDD is changed from high position)
A4	Sep. 14, 2004	1, 2, 34, 36	Add Lead free part and 40L TSOP package
A5	April 14 2005	39	Add important notice
A6	June 21, 2005	5	Modify 4. block diagram
		8	Modify 6.11 multi-chip operation description
		9, 10	Modify 6.13 memory address map Delete 6.13 identification input pin [3:0]



### **Important Notice**

**Winbond products are not designed, intended, authorized or warranted for use as components in systems or equipment intended for surgical implantation, atomic energy control instruments, airplane or spaceship instruments, transportation instruments, traffic signal instruments, combustion control instruments, or for other applications intended to support or sustain life. Further more, Winbond products are not intended for applications wherein failure of Winbond products could result or lead to a situation wherein personal injury, death or severe property or environmental damage could occur.**

**Winbond customers using or selling these products for use in such applications do so at their own risk and agree to fully indemnify Winbond for any damages resulting from such improper use or sales.**

---

*Please note that all data and specifications are subject to change without notice.  
All the trademarks of products and companies mentioned in this datasheet belong to their respective owners.*