

GENERAL DESCRIPTION

The ICS87016 is a low skew, 1:16 LVCMOS/LVTTL Clock Generator. The device has 4 banks of 4 outputs and each bank can be independently selected for ± 1 or ± 2 frequency operation. Each bank also has its own power supply pins so that the banks can operate at the following different voltage levels: 3.3V, 2.5V, and 1.8V. The low impedance LVCMOS/LVTTL outputs are designed to drive 50 Ω series or parallel terminated transmission lines.

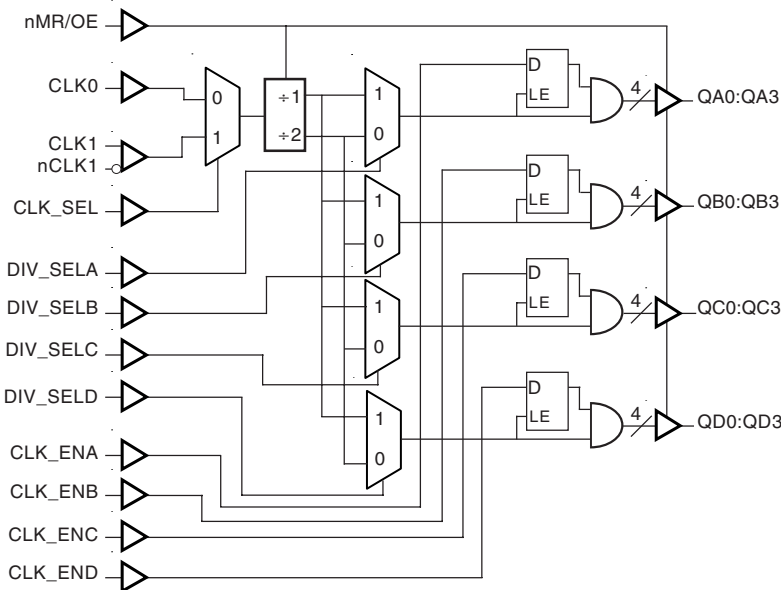
The divide select inputs, DIV_SELA:DIV_SELD, control the output frequency of each bank. The output banks can be independently selected for ± 1 or ± 2 operation. The bank enable inputs, CLK_ENA:CLK_END, support enabling and disabling each bank of outputs individually. The CLK_ENA:CLK_END circuitry has a synchronizer to prevent runt pulses when enabling or disabling the clock outputs. The master reset input, nMR/OE, resets the $\pm 1/\pm 2$ flip flops and also controls the active and high impedance states of all outputs. This pin has an internal pull-up resistor and is normally used only for test purposes or in systems which use low power modes.

The ICS87016 is characterized to operate with the core at 3.3V and the banks at 3.3V, 2.5V, or 1.8V. Guaranteed bank, output, and part-to-part skew characteristics make the 87016 ideal for those clock applications demanding well-defined performance and repeatability.

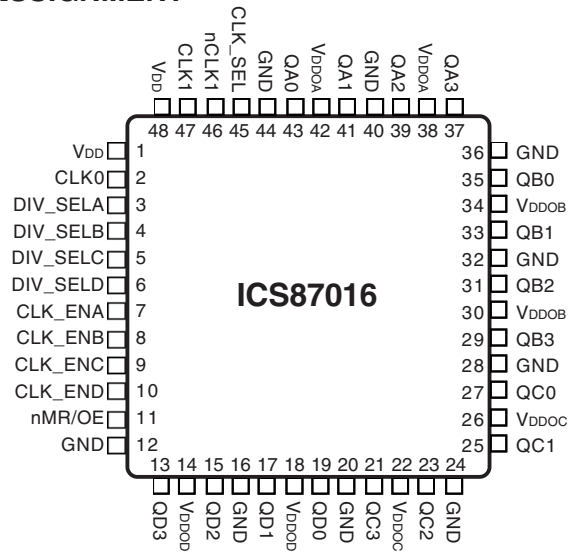
FEATURES

- Sixteen LVCMOS/LVTTL outputs (4 banks of 4 outputs)
- Selectable differential CLK1, nCLK1 or LVCMOS clock input
- CLK1, nCLK1 pair can accept the following differential input levels: LVPECL, LVDS, LVHSTL, SSTL, HCSL
- CLK0 supports the following input types: LVCMOS, LVTTL
- Maximum output frequency: 250MHz
- Independent bank control for ± 1 or ± 2 operation
- Independent output bank voltage settings for 3.3V, 2.5V, or 1.8V operation
- Asynchronous clock enable/disable
- Output skew: 170ps (maximum)
- Bank skew: 30ps (maximum)
- Part-to-part skew: 750ps (maximum)
- 3.3V core, 3.3V, 2.5V, or 1.8V output operating supply
- 0°C to 85°C ambient operating temperature
- Available in both standard and lead-free RoHS compliant packages

BLOCK DIAGRAM



PIN ASSIGNMENT



48-Pin LQFP

7mm x 7mm x 1.4mm body package
Y Package
Top View



ICS87016

LOW SKEW, 1-TO-16

LVCMOS/LVTTL CLOCK GENERATOR

TABLE 1. PIN DESCRIPTIONS

Number	Name	Type		Description
1, 48	V _{DD}	Power		Positive supply pins.
2	CLK0	Input	Pulldown	LVCMOS / LVTTL clock input.
3	DIV_SELA	Input	Pullup	Controls frequency division for Bank A outputs. LVCMOS / LVTTL interface levels.
4	DIV_SELB	Input	Pullup	Controls frequency division for Bank B outputs. LVCMOS / LVTTL interface levels..
5	DIV_SELC	Input	Pullup	Controls frequency division for Bank C outputs. LVCMOS / LVTTL interface levels.
6	DIV SELD	Input	Pullup	Controls frequency division for Bank D outputs. LVCMOS / LVTTL interface levels.
7	CLK_ENA	Input	Pullup	Output enable for Bank A outputs. Active HIGH. If pin is LOW, outputs drive low. LVCMOS / LVTTL interface levels.
8	CLK_ENB	Input	Pullup	Output enable for Bank B outputs. Active HIGH. If pin is LOW, outputs drive low. LVCMOS / LVTTL interface levels.
9	CLK_ENC	Input	Pullup	Output enable for Bank C outputs. Active HIGH. If pin is LOW, outputs drive low. LVCMOS / LVTTL interface levels.
10	CLK_END	Input	Pullup	Output enable for Bank D outputs. Active HIGH. If pin is LOW, outputs drive low. LVCMOS / LVTTL interface levels.
11	nMR/OE	Input	Pullup	Master reset. When LOW, resets the $\pm 1/\pm 2$ flip flops and sets the outputs to high impedance. LVCMOS / LVTTL interface levels.
12, 16, 20, 24, 28, 32, 36, 40, 44	GND	Power		Power supply ground.
13, 15, 17, 19	QD3, QD2, QD1, QD0	Output		Bank D outputs. LVCMOS / LVTTL interface levels.
14, 18	V _{DDOD}	Power		Output Bank D power supply pins.
21, 23, 25, 27	QC3, QC2, QC1, QC0	Output		Bank C outputs. LVCMOS / LVTTL interface levels.
22, 26	V _{DDOC}	Power		Output Bank C power supply pins.
29, 31, 33, 35	QB3, QB2, QB1, QB0	Output		Bank B outputs. LVCMOS / LVTTL interface levels.
30, 34	V _{DDOB}	Power		Output Bank B power supply pins.
37, 39, 41, 43	QA3, QA2, QA1, QA0	Output		Bank A outputs. LVCMOS / LVTTL interface levels.
38, 42	V _{DDOA}	Power		Output Bank A power supply pins.
45	CLK_SEL	Input	Pulldown	Clock select input. When HIGH, selects CLK1, nCLK1 inputs. When LOW, selects CLK0 input. LVCMOS / LVTTL interface levels.
46	nCLK1	Input	Pullup	Inverting differential clock input.
47	CLK1	Input	Pulldown	Non-inverting differential clock input.

NOTE: *Pullup* and *Pulldown* refer to internal input resistors. See Table 2, Pin Characteristics, for typical values.



ICS87016
 Low SKEW, 1-TO-16
 LVCMOS/LVTTL CLOCK GENERATOR

TABLE 2. PIN CHARACTERISTICS

Symbol	Parameter	Test Conditions	Minimum	Typical	Maximum	Units
C_{IN}	Input Capacitance			4		pF
R_{PULLUP}	Input Pullup Resistor			51		k Ω
C_{PD}	Power Dissipation Capacitance (per output); NOTE 1	$V_{DD}, V_{DDOx} = 3.465V$			18	pF
		$V_{DD} = 3.465, V_{DDOx} = 2.625V$			20	pF
		$V_{DD} = 3.465, V_{DDOx} = 1.89V$			30	pF
R_{OUT}	Output Impedance			7		Ω

NOTE 1: V_{DDOx} denotes $V_{DDOx}, V_{DDOB}, V_{DDOC},$ and $V_{DDOD}.$

TABLE 3. FUNCTION TABLE

Inputs			Outputs	
nMR/OE	CLK_ENx	DIV_SELx	Bank X	Qx Frequency
0	X	X	Hi Z	N/A
1	1	0	Active	fIN/2
1	1	1	Active	fIN
1	0	X	Low	N/A



ICS87016

LOW SKEW, 1-TO-16

LVCMOS/LVTTL CLOCK GENERATOR

ABSOLUTE MAXIMUM RATINGS

Supply Voltage, V_{DD}	4.6V
Inputs, V_i	-0.5V to $V_{DD} + 0.5V$
Outputs, V_o	-0.5V to $V_{DDOx} + 0.5V$
Package Thermal Impedance, θ_{JA}	47.9°C/W (0 lfpm)
Storage Temperature, T_{STG}	-65°C to 150°C

NOTE: Stresses beyond those listed under Absolute Maximum Ratings may cause permanent damage to the device. These ratings are stress specifications only. Functional operation of product at these conditions or any conditions beyond those listed in the *DC Characteristics* or *AC Characteristics* is not implied. Exposure to absolute maximum rating conditions for extended periods may affect product reliability.

TABLE 4A. POWER SUPPLY DC CHARACTERISTICS, $V_{DD} = 3.3V \pm 5\%$, $T_A = 0^\circ C$ TO $85^\circ C$

Symbol	Parameter	Test Conditions	Minimum	Typical	Maximum	Units
V_{DD}	Positive Supply Voltage		3.135	3.3	3.465	V
V_{DDOx}	Output Supply Voltage; NOTE 1		3.135	3.3	3.465	V
			2.375	2.5	2.625	V
			1.71	1.8	1.89	V
I_{DD}	Power Supply Current			100	mA	
I_{DDOx}	Output Supply Current; NOTE 2			15	mA	

NOTE 1: V_{DDOx} denotes V_{DDOx} , V_{DDOx} , V_{DDOx} , and V_{DDOx} . NOTE 2: I_{DDOx} denotes I_{DDOx} , I_{DDOx} , I_{DDOx} , and I_{DDOx} .

TABLE 4B. LVCMOS/LVTTL DC CHARACTERISTICS, $V_{DD} = 3.3V \pm 5\%$, $T_A = 0^\circ C$ TO $85^\circ C$

Symbol	Parameter	Test Conditions	Minimum	Typical	Maximum	Units
V_{IH}	Input High Voltage	DIV_SELA:DIV_SELd, CLK_ENA:CLK_END, nMR/OE, CLK_SEL	2		$V_{DD} + 0.3$	V
		CLK0	2		$V_{DD} + 0.3$	V
V_{IL}	Input Low Voltage	DIV_SELA:DIV_SELd, CLK_ENA:CLK_END, nMR/OE, CLK_SEL	-0.3		0.8	V
		CLK0	-0.3		1.3	V
I_{IH}	Input High Current	CLK_ENA:CLK_END, DIV_SELA:DIV_SELd, nMR/OE	$V_{DD} = V_{IN} = 3.465V$		5	μA
		CLK0, CLK_SEL	$V_{DD} = V_{IN} = 3.465V$		150	μA
I_{IL}	Input Low Current	CLK_ENA:CLK_END, DIV_SELA:DIV_SELd, nMR/OE	$V_{DD} = 3.465V, V_{IN} = 0V$	-150		μA
		CLK0, CLK_SEL	$V_{DD} = 3.465V, V_{IN} = 0V$	-5		μA
V_{OH}	Output High Voltage; NOTE 1		$V_{DDOx} = 3.3V \pm 5\%$; NOTE 2		2.6	V
			$V_{DDOx} = 2.5V \pm 5\%$; NOTE 2		1.8	V
			$V_{DDOx} = 1.8V \pm 5\%$; NOTE 2 $I_{OH} = -2mA$	$V_{DD} - 0.45$		V
V_{OL}	Output Low Voltage; NOTE 1		$V_{DDOx} = 3.3V \pm 5\%$; NOTE 2		0.5	V
			$V_{DDOx} = 2.5V \pm 5\%$; NOTE 2		0.5	V
			$V_{DDOx} = 1.8V \pm 5\%$; NOTE 2 $I_{OL} = 2mA$		0.45	V
I_{OZL}	Output Tristate Current Low		-5			μA
I_{OZH}	Output Tristate Current High				5	μA

NOTE 1: Outputs terminated with 50Ω to $V_{DDOx}/2$. See Parameter Measurement Information, Output Load Test Circuit.

NOTE 2: V_{DDOx} denotes V_{DDOx} , V_{DDOx} , V_{DDOx} , and V_{DDOx} .



TABLE 4C. DIFFERENTIAL DC CHARACTERISTICS, $V_{DD} = 3.3V \pm 5\%$, $T_A = 0^\circ C$ TO $85^\circ C$

Symbol	Parameter	Test Conditions	Minimum	Typical	Maximum	Units
I_{IH}	Input High Current	nCLK1	$V_{IN} = V_{DD} = 3.465V$		5	μA
		CLK1	$V_{IN} = V_{DD} = 3.465V$		150	μA
I_{IL}	Input Low Current	nCLK1	$V_{IN} = 0V, V_{DD} = 3.465V$	-150		μA
		CLK1	$V_{IN} = 0V, V_{DD} = 3.465V$	-5		μA
V_{PP}	Peak-to-Peak Input Voltage		0.15		1.3	V
V_{CMR}	Common Mode Input Voltage; NOTE 1, 2		GND + 0.5		$V_{DD} - 0.85$	V

NOTE 1: For single ended applications, the maximum input voltage for CLK1, nCLK1 is $V_{DD} + 0.3V$.

NOTE 2: Common mode voltage is defined as V_{IH} .

TABLE 5A. AC CHARACTERISTICS, $V_{DD} = V_{DDOX} = 3.3V \pm 5\%$, $T_A = 0^\circ C$ TO $85^\circ C$

Symbol	Parameter	Test Conditions	Minimum	Typical	Maximum	Units	
f_{MAX}	Output Frequency				250	MHz	
t_{pLH}	Propagation Delay, Low to High	CLK0; NOTE 1A		2.8	3.2	3.7	ns
		CLK1, nCLK1; NOTE 1B		2.9	3.4	3.9	ns
$t_{sk(b)}$	Bank Skew; NOTE 2, 7	Measured on the Rising Edge			30	ps	
$t_{sk(o)}$	Output Skew; NOTE 3, 7	Measured on the Rising Edge			150	ps	
$t_{sk(pp)}$	Part-to-Part Skew; NOTE 5, 7				750	ps	
t_R / t_F	Output Rise/Fall Time; NOTE 6	20% to 80%	200		700	ps	
odc	Output Duty Cycle	$f < 175MHz$	45		55	%	
		$f \geq 175MHz$	40		60	%	
t_{EN}	Output Enable Time; NOTE 6				10	ns	
t_{DIS}	Output Disable Time; NOTE 6				10	ns	

All parameters measured at 250MHz unless noted otherwise.

NOTE 1A: Measured from the $V_{DD}/2$ of the input to $V_{DDOX}/2$ of the output.

NOTE 1B: Measured from the differential input crossing point to $V_{DDOX}/2$ of the output.

NOTE 2: Defined as skew within a bank with equal load conditions.

NOTE 3: Defined as skew between outputs at the same supply voltage and with equal load conditions.

Measured at $V_{DDOX}/2$.

NOTE 4: Defined as skew across banks of outputs switching in the same direction operating at different frequencies with the same supply voltages and equal load conditions. Measured at $V_{DDOX}/2$.

NOTE 5: Defined as skew between outputs on different devices operating at the same supply voltages and with equal load conditions. Using the same type of input on each device, the output is measured at $V_{DDOX}/2$.

NOTE 6: These parameters are guaranteed by characterization. Not tested in production.

NOTE 7: This parameter is defined in accordance with JEDEC Standard 65.



ICS87016

LOW SKEW, 1-TO-16

LVCMOS/LVTTL CLOCK GENERATOR

TABLE 5B. AC CHARACTERISTICS, $V_{DD} = 3.3V \pm 5\%$, $V_{DDOX} = 2.5V \pm 5\%$, $T_A = 0^\circ C$ TO $85^\circ C$

Symbol	Parameter	Test Conditions	Minimum	Typical	Maximum	Units
f_{MAX}	Output Frequency				250	MHz
t_{pLH}	Propagation Delay, Low to High	CLK0; NOTE 1A	2.9	3.3	3.8	ns
		CLK1, nCLK1; NOTE 1B	3	3.5	4	ns
$t_{sk(b)}$	Bank Skew; NOTE 2, 7	Measured on the Rising Edge			30	ps
$t_{sk(o)}$	Output Skew; NOTE 3, 7	Measured on the Rising Edge			160	ps
$t_{sk(pp)}$	Part-to-Part Skew; NOTE 5, 7				750	ps
t_R / t_F	Output Rise/Fall Time; NOTE 6	20% to 80%	200		700	ps
odc	Output Duty Cycle	$f < 175MHz$	45		55	%
		$f \geq 175MHz$	40		60	%
t_{EN}	Output Enable Time; NOTE 6				10	ns
t_{DIS}	Output Disable Time; NOTE 6				10	ns

All parameters measured at 250MHz unless noted otherwise.

NOTE 1A: Measured from the $V_{DD}/2$ of the input to $V_{DDOX}/2$ of the output.

NOTE 1B: Measured from the differential input crossing point to $V_{DDOX}/2$ of the output.

NOTE 2: Defined as skew within a bank with equal load conditions.

NOTE 3: Defined as skew between outputs at the same supply voltage and with equal load conditions.

Measured at $V_{DDOX}/2$.

NOTE 4: Defined as skew across banks of outputs switching in the same direction operating at different frequencies with the same supply voltages and equal load conditions. Measured at $V_{DDOX}/2$.

NOTE 5: Defined as skew between outputs on different devices operating at the same supply voltages and with equal load conditions. Using the same type of input on each device, the output is measured at $V_{DDOX}/2$.

NOTE 6: These parameters are guaranteed by characterization. Not tested in production.

NOTE 7: This parameter is defined in accordance with JEDEC Standard 65.



ICS87016
LOW SKEW, 1-TO-16
LVC MOS/LVTTL CLOCK GENERATOR

TABLE 5C. AC CHARACTERISTICS, $V_{DD} = 3.3V \pm 5\%$, $V_{DDOX} = 1.8V \pm 5\%$, $T_A = 0^\circ C$ TO $85^\circ C$

Symbol	Parameter	Test Conditions	Minimum	Typical	Maximum	Units
f_{MAX}	Output Frequency				250	MHz
tp_{LH}	Propagation Delay, Low to High	CLK0; NOTE 1A	3.1	3.8	4.5	ns
		CLK1, nCLK1; NOTE 1B	3.1	3.8	4.5	ns
$t_{sk}(b)$	Bank Skew; NOTE 2, 7	Measured on the Rising Edge			30	ps
$t_{sk}(o)$	Output Skew; NOTE 3, 7	Measured on the Rising Edge			170	ps
$t_{sk}(pp)$	Part-to-Part Skew; NOTE 5, 7				750	ps
t_R / t_F	Output Rise/Fall Time; NOTE 6	20% to 80%	200		700	ps
odc	Output Duty Cycle	$f < 175MHz$	45		55	%
		$f \geq 175MHz$	40		60	%
t_{EN}	Output Enable Time; NOTE 6				10	ns
t_{DIS}	Output Disable Time; NOTE 6				10	ns

All parameters measured at 250MHz unless noted otherwise.

NOTE 1A: Measured from the $V_{DD}/2$ of the input to $V_{DDOX}/2$ of the output.

NOTE 1B: Measured from the differential input crossing point to $V_{DDOX}/2$ of the output.

NOTE 2: Defined as skew within a bank with equal load conditions.

NOTE 3: Defined as skew between outputs at the same supply voltage and with equal load conditions.

Measured at $V_{DDOX}/2$.

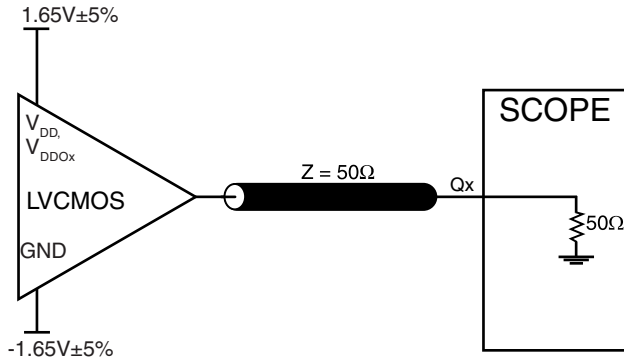
NOTE 4: Defined as skew across banks of outputs switching in the same direction operating at different frequencies with the same supply voltages and equal load conditions. Measured at $V_{DDOX}/2$.

NOTE 5: Defined as skew between outputs on different devices operating at the same supply voltages and with equal load conditions. Using the same type of input on each device, the output is measured at $V_{DDOX}/2$.

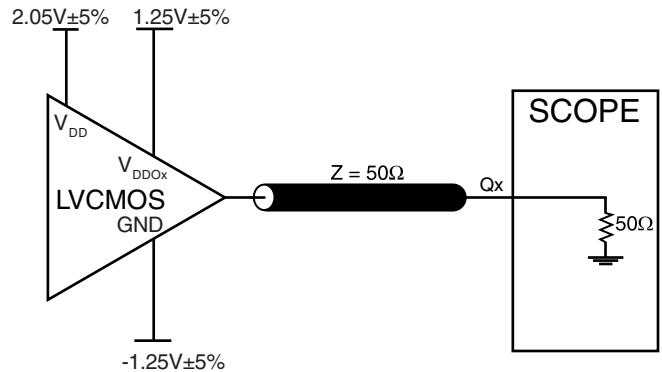
NOTE 6: These parameters are guaranteed by characterization. Not tested in production.

NOTE 7: This parameter is defined in accordance with JEDEC Standard 65.

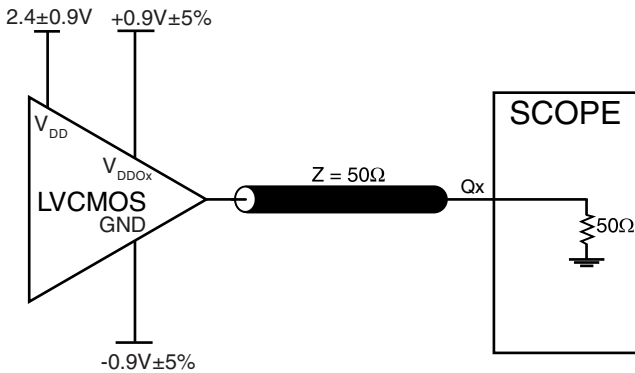
PARAMETER MEASUREMENT INFORMATION



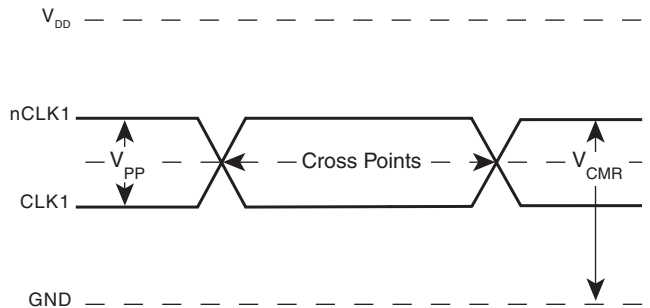
3.3V OUTPUT LOAD AC TEST CIRCUIT



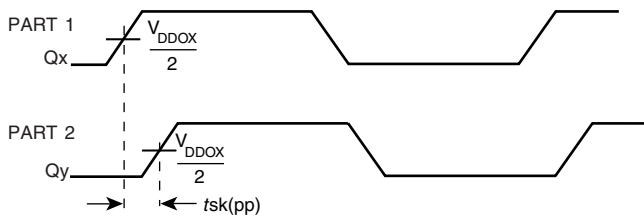
3.3V/2.5V OUTPUT LOAD AC TEST CIRCUIT



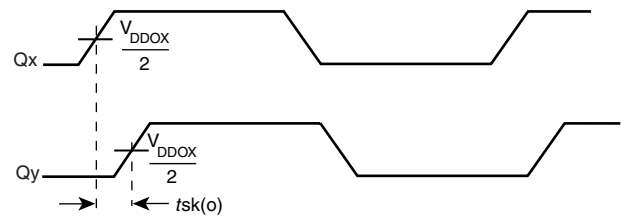
3.3V/1.8V OUTPUT LOAD AC TEST CIRCUIT



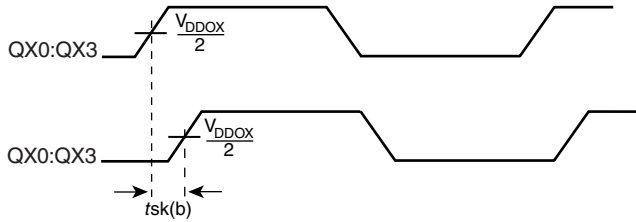
DIFFERENTIAL INPUT LEVEL



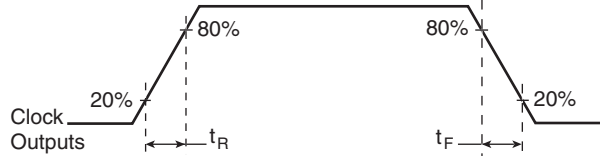
PART-TO-PART SKEW



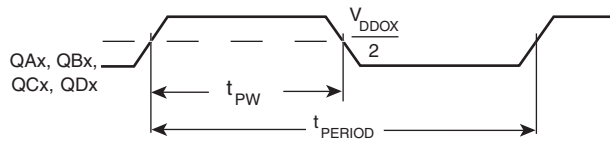
OUTPUT SKEW



BANK SKEW (where X denotes outputs in the same bank)

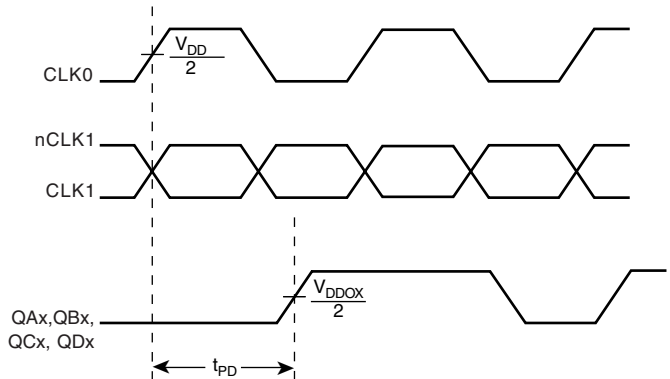


OUTPUT RISE/FALL TIME



$$\text{odc} = \frac{t_{PW}}{t_{PERIOD}} \times 100\%$$

OUTPUT DUTY CYCLE/PULSE WIDTH/PERIOD



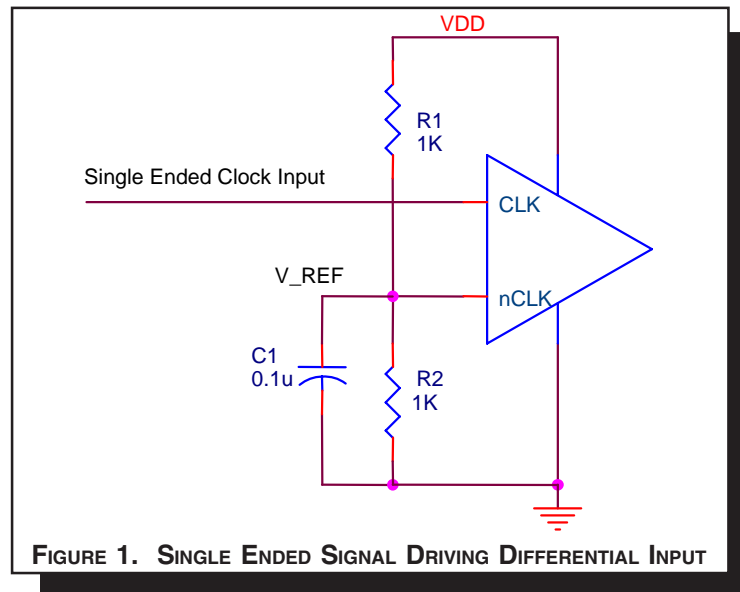
PROPAGATION DELAY

APPLICATION INFORMATION

WIRING THE DIFFERENTIAL INPUT TO ACCEPT SINGLE ENDED LEVELS

Figure 1 shows how the differential input can be wired to accept single ended levels. The reference voltage $V_{REF} = V_{DD}/2$ is generated by the bias resistors R1, R2 and C1. This bias circuit should be located as close as possible to the input pin. The ratio

of R1 and R2 might need to be adjusted to position the V_{REF} in the center of the input voltage swing. For example, if the input clock swing is only 2.5V and $V_{DD} = 3.3V$, V_{REF} should be 1.25V and $R2/R1 = 0.609$.



RECOMMENDATIONS FOR UNUSED INPUT AND OUTPUT PINS

INPUTS:

CLK INPUT:

For applications not requiring the use of a clock input, it can be left floating. Though not required, but for additional protection, a 1kΩ resistor can be tied from the CLK input to ground.

CLK/nCLK INPUT:

For applications not requiring the use of the differential input, both CLK and nCLK can be left floating. Though not required, but for additional protection, a 1kΩ resistor can be tied from CLK to ground.

LVCMOS CONTROL PINS:

All control pins have internal pull-ups or pull-downs; additional resistance is not required but can be added for additional protection. A 1kΩ resistor can be used.

OUTPUTS:

LVCMOS OUTPUT:

All unused LVCMOS output can be left floating. We recommend that there is no trace attached.

DIFFERENTIAL CLOCK INPUT INTERFACE

The CLK/nCLK accepts LVDS, LVPECL, LVHSTL, SSTL, HCSL and other differential signals. Both V_{SWING} and V_{OH} must meet the V_{PP} and V_{CMR} input requirements. Figures 4A to 4E show interface examples for the CLK/nCLK input driven by the most common driver types. The input interfaces suggested here are

examples only. Please consult with the vendor of the driver component to confirm the driver termination requirements. For example in *Figure 2A*, the input termination applies for LVHSTL drivers. If you are using an LVHSTL driver from another vendor, use their termination recommendation.

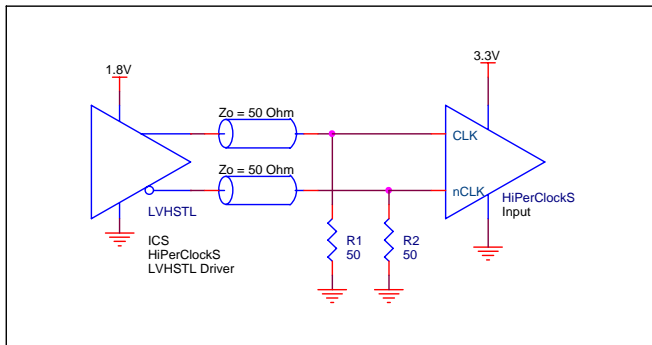


FIGURE 2A. CLK/nCLK INPUT DRIVEN BY LVHSTL DRIVER

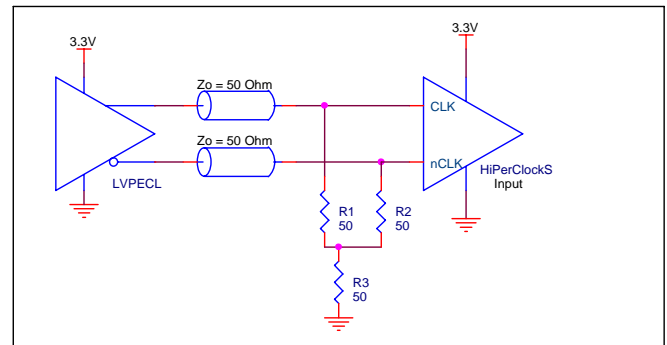


FIGURE 2B. CLK/nCLK INPUT DRIVEN BY 3.3V LVPECL DRIVER

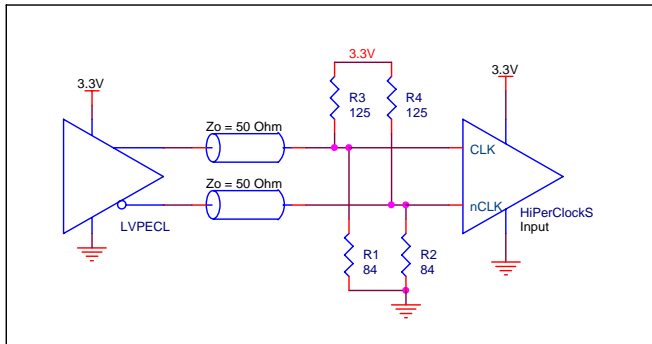


FIGURE 2C. CLK/nCLK INPUT DRIVEN BY 3.3V LVPECL DRIVER

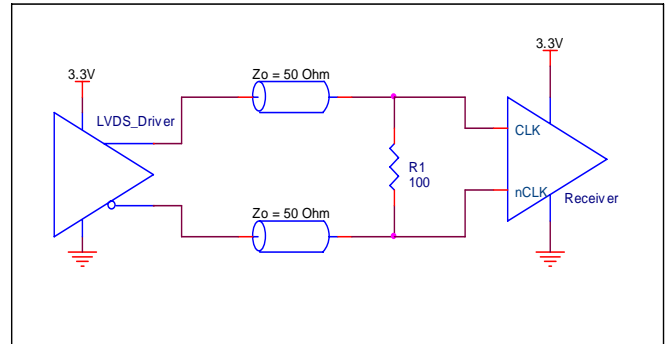


FIGURE 2D. CLK/nCLK INPUT DRIVEN BY 3.3V LVDS DRIVER

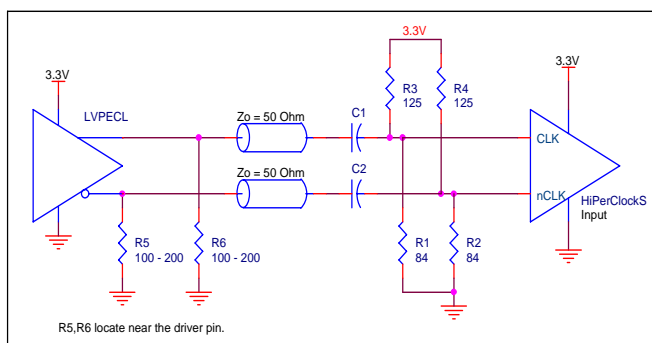


FIGURE 2E. CLK/nCLK INPUT DRIVEN BY 3.3V LVPECL DRIVER WITH AC COUPLE

SCHEMATIC EXAMPLE

Figure 3 shows an application schematic example of the ICS87016. This schematic provides examples of input and output handling. The differential CLK1/nCLK1 input can accept various types of differential signal. This example shows the ICS87016 input driven by a 3.3V LVPECL driver. Additional examples for the input driven by other types of drivers

are shown in the application section of this data sheet. The single ended input CLK0 is driven by a 7Ω LVCMOS driver through series termination. The ICS87016 outputs are LVCMOS drivers. Series termination is shown in this schematic. Additional LVCMOS termination approaches are shown in the LVCMOS Termination Application Note.

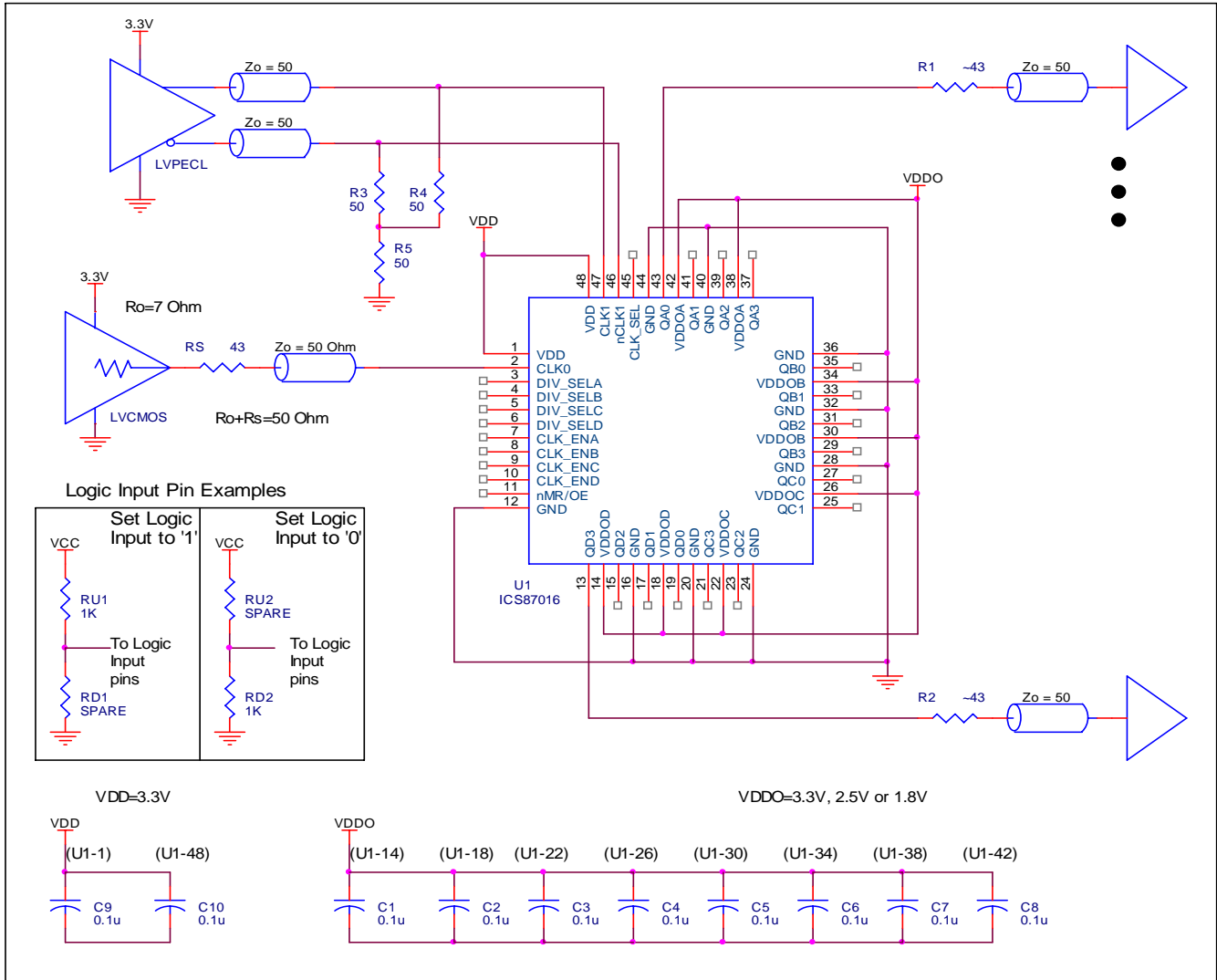


FIGURE 3. APPLICATION SCHEMATIC EXAMPLE



RELIABILITY INFORMATION

TABLE 6. θ_{JA} VS. AIR FLOW TABLE FOR 48 LEAD LQFP

θ_{JA} by Velocity (Linear Feet per Minute)			
	0	200	500
Single-Layer PCB, JEDEC Standard Test Boards	67.8°C/W	55.9°C/W	50.1°C/W
Multi-Layer PCB, JEDEC Standard Test Boards	47.9°C/W	42.1°C/W	39.4°C/W

NOTE: Most modern PCB designs use multi-layered boards. The data in the second row pertains to most designs.

TRANSISTOR COUNT

The transistor count for ICS87016 is: 2034

PACKAGE OUTLINE - Y SUFFIX FOR 48 LEAD LQFP

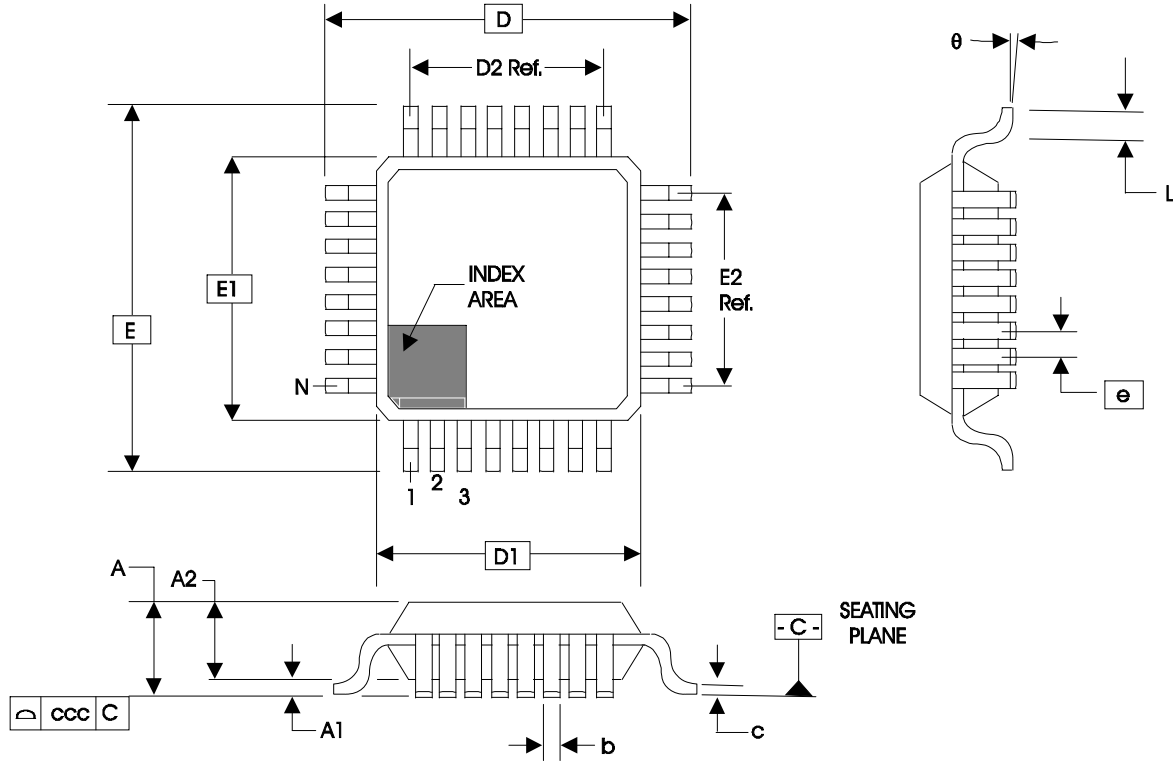


TABLE 7. PACKAGE DIMENSIONS

JEDEC VARIATION ALL DIMENSIONS IN MILLIMETERS			
SYMBOL	BBC		
	MINIMUM	NOMINAL	MAXIMUM
N	48		
A	--	--	1.60
A1	0.05	--	0.15
A2	1.35	1.40	1.45
b	0.17	0.22	0.27
c	0.09	--	0.20
D	9.00 BASIC		
D1	7.00 BASIC		
D2	5.50 Ref.		
E	9.00 BASIC		
E1	7.00 BASIC		
E2	5.50 Ref.		
e	0.50 BASIC		
L	0.45	0.60	0.75
θ	0°	--	7°
ccc	--	--	0.08

Reference Document: JEDEC Publication 95, MS-026



ICS87016

LOW SKEW, 1-TO-16
LVCMOS/LVTTL CLOCK GENERATOR

TABLE 8. ORDERING INFORMATION

Part/Order Number	Marking	Package	Shipping Packaging	Temperature
87016AY	ICS87016AY	48 Lead LQFP	tray	0°C to 85°C
87016AYT	ICS87016AY	48 Lead LQFP	1000 tape & reel	0°C to 85°C
87016AYLF	ICS87016AYLF	48 Lead "Lead-Free" LQFP	tray	0°C to 85°C
87016AYLFT	ICS87016AYLF	48 Lead "Lead-Free" LQFP	1000 tape & reel	0°C to 85°C

NOTE: Parts that are ordered with an "LF" suffix to the part number are the Pb-Free configuration and are RoHS compliant.

While the information presented herein has been checked for both accuracy and reliability, Integrated Device Technology, Inc. (IDT) assumes no responsibility for either its use or for infringement of any patents or other rights of third parties, which would result from its use. No other circuits, patents, or licenses are implied. This product is intended for use in normal commercial and industrial applications. Any other applications such as those requiring high reliability, or other extraordinary environmental requirements are not recommended without additional processing by IDT. IDT reserves the right to change any circuitry or specifications without notice. IDT does not authorize or warrant any IDT product for use in life support devices or critical medical instruments.



REVISION HISTORY SHEET				
Rev	Table	Page	Description of Change	Date
A	T5A, T5B, T5C	6, 7, 8	AC Characteristics Table - corrected the first line in the Notes section, from "All parameters measured at 150MHz..." to 250MHz.	7/31/02
A			Revised part description title from "Differential-to-LVCMOS Clock Generator" to "LVCMOS Clock Generator".	8/9/02
A	T5A & T5B	6 & 7 12	AC Characteristics Table - switched prop delay values for CLK0 and CLK1, nCLK1. Added Differential Clock Input Interface section. Updated format.	5/05/03
A		1	Modified Block Diagram, corrected latch block.	6/4/03
A		12	Added Schematic Example	12/10/04
A		1 10	Features Section - added Lead-Free bullet. Application Section - added <i>Recommendations for Unused Input and Output Pins</i> .	2/28/06
	T8	15	Ordering Information Table - add Lead-Free part number, marking and note.	
A	T8	15 17	Updated datasheet's header/footer with IDT from ICS. Removed ICS prefix from Part/Order Number column. Added Contact Page.	7/29/10



ICS87016
LOW SKEW, 1-TO-16
LVCMOS/LVTTL CLOCK GENERATOR

We've Got Your Timing Solution.



6024 Silver Creek Valley Road
San Jose, CA 95138

Sales
800-345-7015 (inside USA)
+408-284-8200 (outside USA)
Fax: 408-284-2775

Tech Support
netcom@idt.com

© 2010 Integrated Device Technology, Inc. All rights reserved. Product specifications subject to change without notice. IDT, the IDT logo, ICS and HiPerClockS are trademarks of Integrated Device Technology, Inc. Accelerated Thinking is a service mark of Integrated Device Technology, Inc. All other brands, product names and marks are or may be trademarks or registered trademarks used to identify products or services of their respective owners.
Printed in USA