

# DH Series

## Ultra Miniature Snap-Action Switches



- ▶ Back to Main Products Page
- ▶ Snap-Action Switch News
- ▶ Find a Rep / Distributor
- ▶ Request Quotation
- ▶ Ask a Question
- ▶ Application Help
- ▶ Request a Sample
- ▶ Request a Catalog
- ▶ Download Drawings (.dxf)
- ▶ Competitor Cross Reference
- ▶ Application Showcase
- ▶ RoHS Compliance
- ▶ Switch Parametric Search

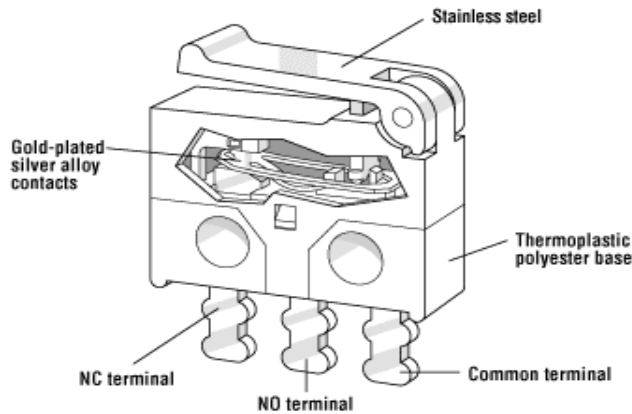
Text Search

Product Series Search

Check Distributor Stock

### Features

- Small dimensions, just 0.323" x 0.106" x 0.244" (8.2mm x 2.7mm x 6.2mm)
- Specially designed for low switching currents and voltages
- Available with or without integrated auxiliary actuator
- Can be fitted to circuit boards in upright position or horizontally with formed terminals



[Click for Larger View](#)



 [download PDF](#)

### Electrical Ratings

Cherry DH Series Ultra-Miniature Snap-Action Switch

To download a PDF of the **Cherry Switches Master Catalog**, [click here](#).



To download the latest version of Adobe Acrobat Reader, [click here](#).



Switch Series	EN61058 Rating	Electrical Rating
DH3	N/A	50 to 300mA @ 30VDC
DH4	N/A	5 to 50mA @ 30VDC

### Specifications

#### Electrical

Temperature Rating: -25 °C to +70°C

Flammability Rating: UL94V-O

#### Materials

Base: Polyphenylene sulphide (PPS)

Button: Polybutyleneterephthalate (PBT)

Cover: Polybutyleneterephthalate (PBT)

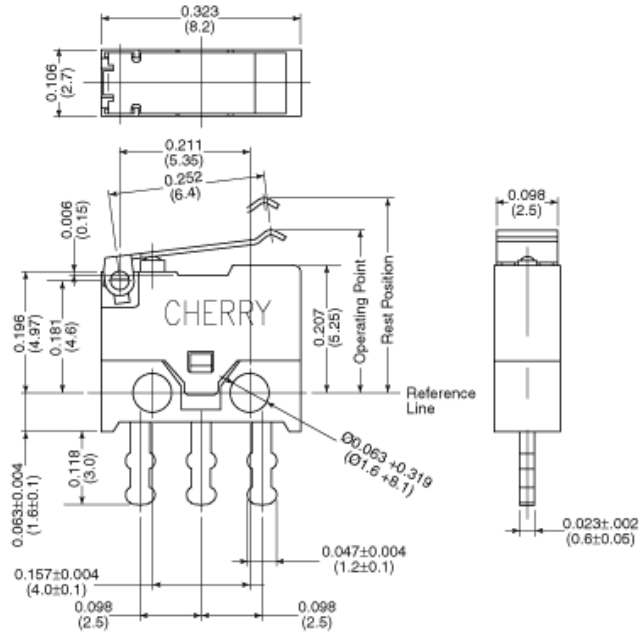
Auxiliary Actuator: Stainless Steel

Terminals: Silver-Plated Brass

Contacts: Silver-Plated Brass (DH3)  
Gold-Plated Brass (DH4)

### Dimensions

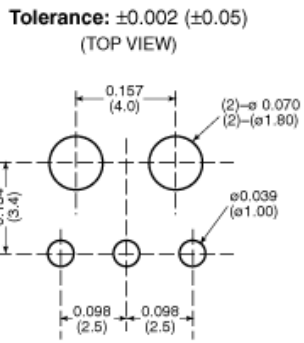
Cherry DH Series Ultra-Miniature Snap-Action Switch



Inches (mm)

[Click for Larger View](#)

Terminal Options



Inches (mm)

[Click for Larger View](#)

### Mounting

Recommended mounting screw: M1.6  
Recommended torque: 9.81 cN\*M (1.0 kgf\*cm)

Recommended use of a flat washer  
and a spring washer for locking.

### Actuator Specifications

Actuator Type	Switch Type	Maximum Operating Force (g)	Max. Pre-Travel inches (mm)	Operating Point inches (mm)	Min. Over-Travel inches (mm)	Max. Movement Differential inches (mm)
-AA		90	0.008 (0.2)	0.220 $\pm$ 0.006 (5.6 $\pm$ 0.15)	0.004 (0.1)	0.003 (0.07)
-LA		50	0.051 (1.3)	0.264 $\pm$ 0.020 (6.7 $\pm$ 0.5)	0.012 (0.3)	0.024 (0.6)

### Ordering Information

Cherry DH Series Ultra-Miniature Snap-Action Switch

DH		3		C		B1			AA	
Series/Prefix		Code	Contact Configuration	Code	Terminal Type	inches (mm)	Terminal Configuration	Code	Actuator Type	
		C	SPDT	B1	0.051 x 0.122 x 0.020 (1.3 x 3.1 x 0.5)			AA	Button	
Code	Current Rating			C4	0.025 x 0.122 x 0.020 (0.6 x 3.1 x 0.5)			LA	Simulated Roller	
3	50 to 300mA@30VDC			C5	0.025 x 0.122 x 0.020 (0.6 x 3.1 x 0.5)					
4	5 to 50mA@30VDC			C6	0.025 x 0.122 x 0.020 (0.6 x 3.1 x 0.5)					

[Click Image for Larger View](#)

Specifications subject to change without notice.