

1-Mb (128K x 8) Static RAM

Features

- **Very high speed: 55 and 70 ns**
- **Wide voltage range: 2.2V to 3.6V**
- **Pin compatible with CY62128V**
- **Ultra-low active power**
 - Typical active current: 0.85 mA @ f = 1 MHz
 - Typical active current: 5 mA @ f = f_{MAX}
- **Ultra-low standby power**
- **Easy memory expansion with \overline{CE}_1 , CE₂, and \overline{OE} features**
- **Automatic power-down when deselected**
- **Available in Pb-free and non Pb-free 32-lead SOIC, 32-lead TSOP and 32-lead Small TSOP, non Pb-free 32-lead Reverse TSOP packages**

Functional Description^[1]

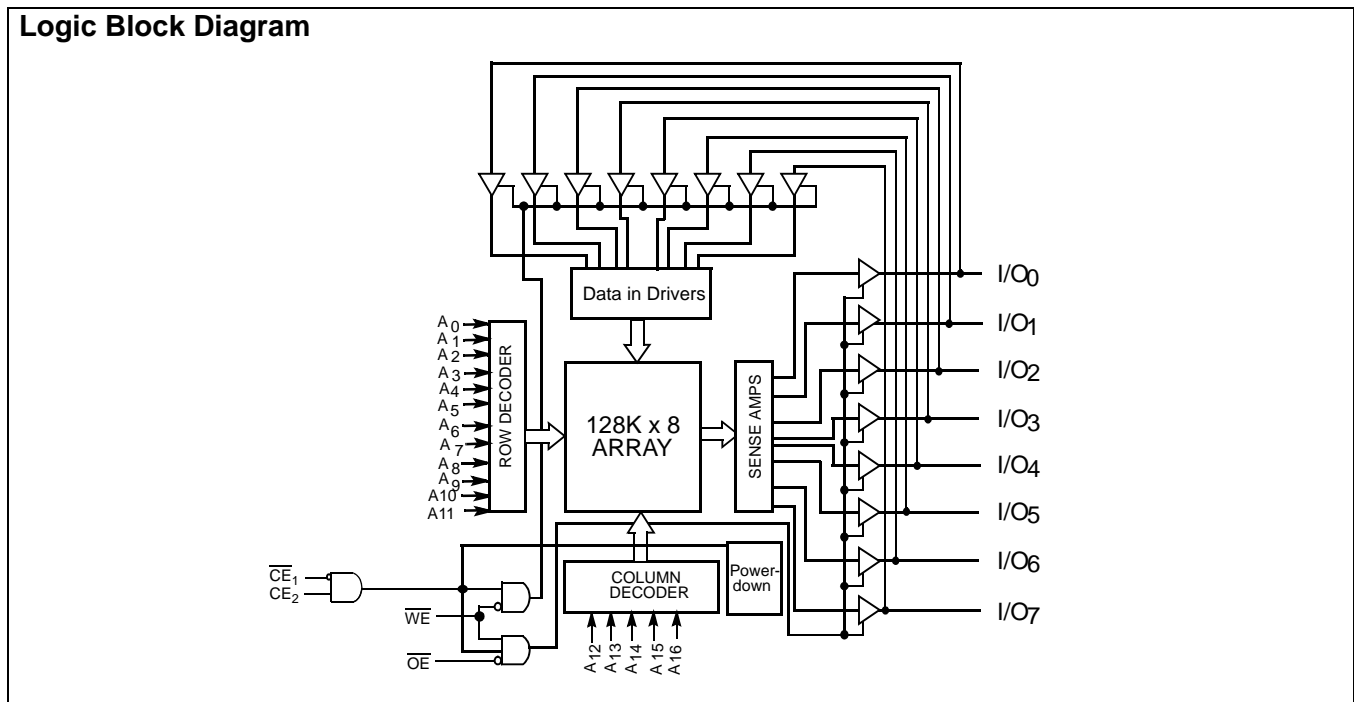
The CY62128DV30 is a high-performance CMOS static RAM organized as 128K words by 8 bits. This device features advanced circuit design to provide ultra-low active current. This is ideal for providing More Battery Life™ (MoBL®) in portable applications such as cellular telephones. The device

also has an automatic power-down feature that significantly reduces power consumption by 90% when addresses are not toggling. The device can be put into standby mode reducing power consumption by more than 99% when deselected Chip Enable 1 (\overline{CE}_1) HIGH or Chip Enable 2 (CE₂) LOW. The input/output pins (I/O₀ through I/O₇) are placed in a high-impedance state when: deselected Chip Enable 1 (\overline{CE}_1) HIGH or Chip Enable 2 (CE₂) LOW, outputs are disabled (OE HIGH), or during a write operation (Chip Enable 1 (\overline{CE}_1) LOW and Chip Enable 2 (CE₂) HIGH and Write Enable (WE) LOW).

Writing to the device is accomplished by taking Chip Enable 1 (\overline{CE}_1) LOW with Chip Enable 2 (CE₂) HIGH and Write Enable (WE) LOW. Data on the eight I/O pins is then written into the location specified on the Address pin (A₀ through A₁₆).

Reading from the device is accomplished by taking Chip Enable 1 (\overline{CE}_1) LOW with Chip Enable 2 (CE₂) HIGH and Output Enable (\overline{OE}) LOW while forcing the Write Enable (WE) HIGH. Under these conditions, the contents of the memory location specified by the address pins will appear on the I/O pins.

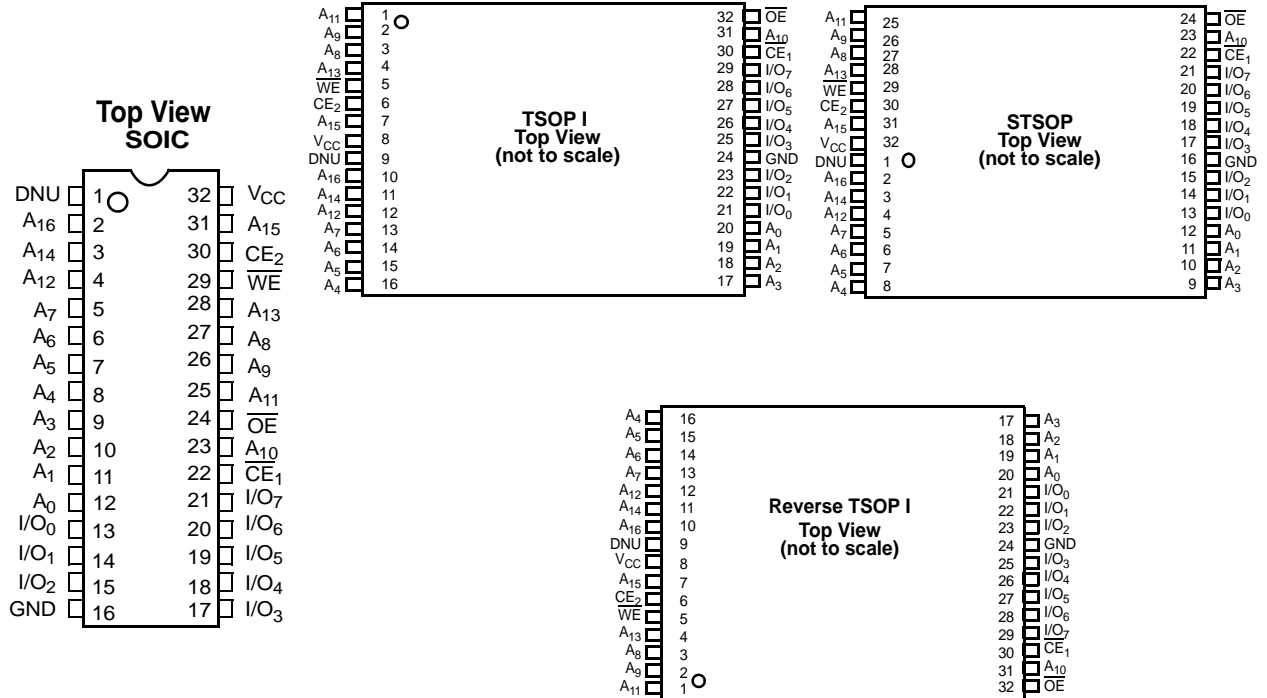
The eight input/output pins (I/O₀ through I/O₇) are placed in a high-impedance state when the device is deselected (\overline{CE}_1 HIGH or CE₂ LOW), the outputs are disabled (OE HIGH) or during a write operation (CE₁ LOW, CE₂ HIGH), and WE LOW).



Note:

1. For best-practice recommendations, please refer to the Cypress application note "System Design Guidelines" on <http://www.cypress.com>.

Pin Configurations^[2]



Product Portfolio

Product	V _{CC} Range (V)			Speed (ns)	Power Dissipation					
					Operating, I _{CC} (mA)				Standby, I _{SB2} (μA)	
	Min.	Typ.	Max.		f = 1 MHz		f = f _{MAX}			
					Typ. ^[4]	Max.	Typ. ^[4]	Max.	Typ. ^[4]	Max.
CY62128DV30L	2.2	3.0	3.6	55/70	0.85	1.5	5	10	1.5	5
CY62128DV30LL				55/70	0.85	1.5	5	10	1.5	4

Notes:

- NC pins are not connected to the die.
- DNU pins have to be left floating or tied to V_{SS} to ensure proper application.
- Typical values are included for reference only and are not guaranteed or tested. Typical values are measured at V_{CC} = V_{CC(typ)}, T_A = 25°C.

Maximum Ratings

(Above which the useful life may be impaired. For user guidelines, not tested.)

Storage Temperature -65°C to +150°C
 Ambient Temperature with Power Applied..... -55°C to +125°C
 Supply Voltage to Ground Potential -0.3V to 3.9V
 DC Voltage Applied to Outputs in High-Z State^[5]..... -0.3V to V_{CC} + 0.3V

DC Input Voltage^[5]..... -0.3V to V_{CC} + 0.3V
 Output Current into Outputs (LOW)..... 20 mA
 Static Discharge Voltage..... > 2001V (per MIL-STD-883, Method 3015)
 Latch-up Current..... > 200 mA

Operating Range

Range	Ambient Temperature (T _A)	V _{CC} ^[6]
Industrial	-40°C to +85°C	2.2V to 3.6V

DC Electrical Characteristics (Over the Operating Range)

Parameter	Description	Test Conditions	CY62128DV30-55/70			Unit	
			Min.	Typ. ^[4]	Max.		
V _{OH}	Output HIGH Voltage	2.2 ≤ V _{CC} ≤ 2.7	I _{OH} = -0.1 mA	2.0		V	
		2.7 ≤ V _{CC} ≤ 3.6	I _{OH} = -1.0 mA	2.4			
V _{OL}	Output LOW Voltage	2.2 ≤ V _{CC} ≤ 2.7	I _{OL} = 0.1 mA		0.4	V	
		2.7 ≤ V _{CC} ≤ 3.6	I _{OL} = 2.1 mA		0.4		
V _{IH}	Input HIGH Voltage	2.2 ≤ V _{CC} ≤ 2.7		1.8	V _{CC} + 0.3	V	
		2.7 ≤ V _{CC} ≤ 3.6		2.2	V _{CC} + 0.3		
V _{IL}	Input LOW Voltage	2.2 ≤ V _{CC} ≤ 2.7		-0.3	0.6	V	
		2.7 ≤ V _{CC} ≤ 3.6		-0.3	0.8		
I _{IX}	Input Leakage Current	GND ≤ V _I ≤ V _{CC}		-1	+1	μA	
I _{OZ}	Output Leakage Current	GND ≤ V _O ≤ V _{CC} , Output Disabled		-1	+1	μA	
I _{CC}	V _{CC} Operating Supply Current	f = f _{MAX} = 1/t _{RC}	V _{CC} = 3.6V, I _{OUT} = 0mA, CMOS level		5	10	mA
		f = 1 MHz			0.85	1.5	
I _{SB1}	Automatic CE Power-down Current – CMOS Inputs	CE ₁ ≥ V _{CC} - 0.2V, CE ₂ ≤ 0.2V, V _{IN} ≥ V _{CC} - 0.2V, V _{IN} ≤ 0.2V, f = f _{MAX} (Address and Data Only), f = 0 (OE, WE,)	L		1.5	5	μA
			LL		1.5	4	
I _{SB2}	Automatic CE Power-down Current – CMOS Inputs	CE ₁ ≥ V _{CC} - 0.2V, CE ₂ ≤ 0.2V, V _{IN} ≥ V _{CC} - 0.2V or V _{IN} ≤ 0.2V, f = 0, V _{CC} =3.6V	L		1.5	5	μA
			LL		1.5	4	

Capacitance^[7]

Parameter	Description	Test Conditions	Max.	Unit
C _{IN}	Input Capacitance	T _A = 25°C, f = 1 MHz	8	pF
C _{OUT}	Output Capacitance	V _{CC} = V _{CC(typ)}	8	pF

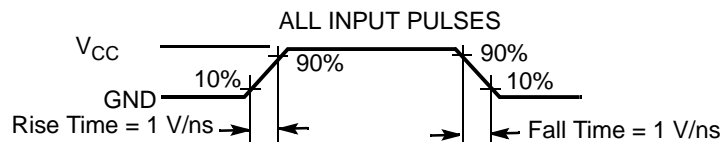
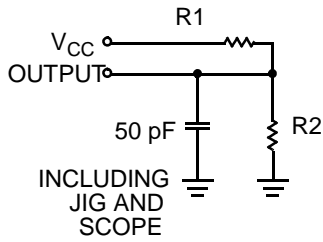
Thermal Resistance^[7]

Parameter	Description	Test Conditions	SOIC	TSOP I	RTSOP	STSOP	Unit
θ _{JA}	Thermal Resistance (Junction to Ambient)	Still Air, soldered on a 3 x 4.5 inch, two-layer printed circuit board	69	93	93	65	°C/W
θ _{JC}	Thermal Resistance (Junction to Case)		34	17	17	15	°C/W

Notes:

- V_{IL(min.)} = -2.0V for pulse durations less than 20 ns. V_{IH(max.)} = V_{CC}+0.75V for pulse durations less than 20 ns.
- Full device operation requires linear ramp of V_{CC} from 0V to V_{CC(min)} and V_{CC} must be stable at V_{CC(min)} for 500 μ s.
- Tested initially and after any design or process changes that may affect these parameters.

AC Test Loads and Waveforms^[8]



Equivalent to: THEVENIN EQUIVALENT

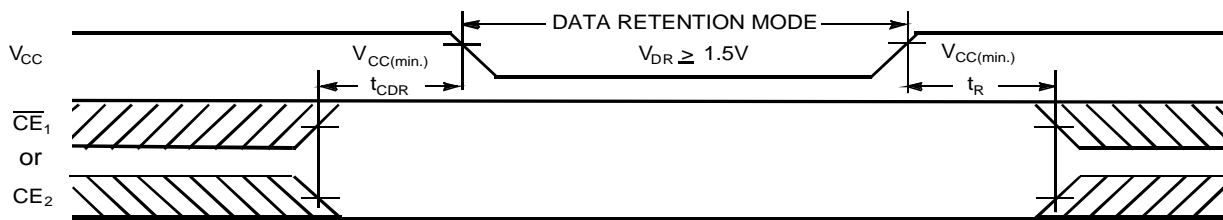


Parameters	2.5V (2.2V - 2.7V)	3.0V (2.7V - 3.6V)	Unit
R1	16600	1103	Ω
R2	15400	1554	Ω
R _{TH}	8000	645	Ω
V _{TH}	1.20	1.75	V

Data Retention Characteristics

Parameter	Description	Conditions	Min.	Typ. ^[4]	Max.	Unit
V _{DR}	V _{CC} for Data Retention		1.5			V
I _{CCDR}	Data Retention Current	V _{CC} = 1.5V, $\overline{CE}_1 \geq V_{CC} - 0.2V$, $CE_2 \leq 0.2V$, V _{IN} $\geq V_{CC} - 0.2V$ or V _{IN} $\leq 0.2V$	L		4	μA
			LL		3	
t _{CDR} ^[4]	Chip Deselect to Data Retention Time		0			ns
t _R ^[8]	Operation Recovery Time		100			μs

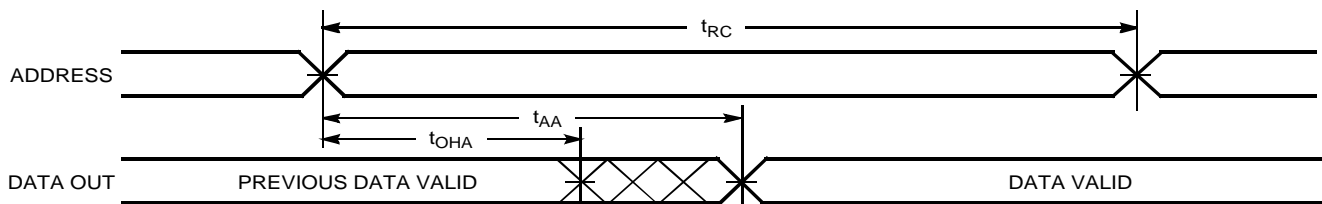
Data Retention Waveform



Note:
8. Full device operation requires linear V_{CC} ramp from V_{DR} to V_{CC(min.)} > 100 μs .

Switching Characteristics (Over the Operating Range)^[9]

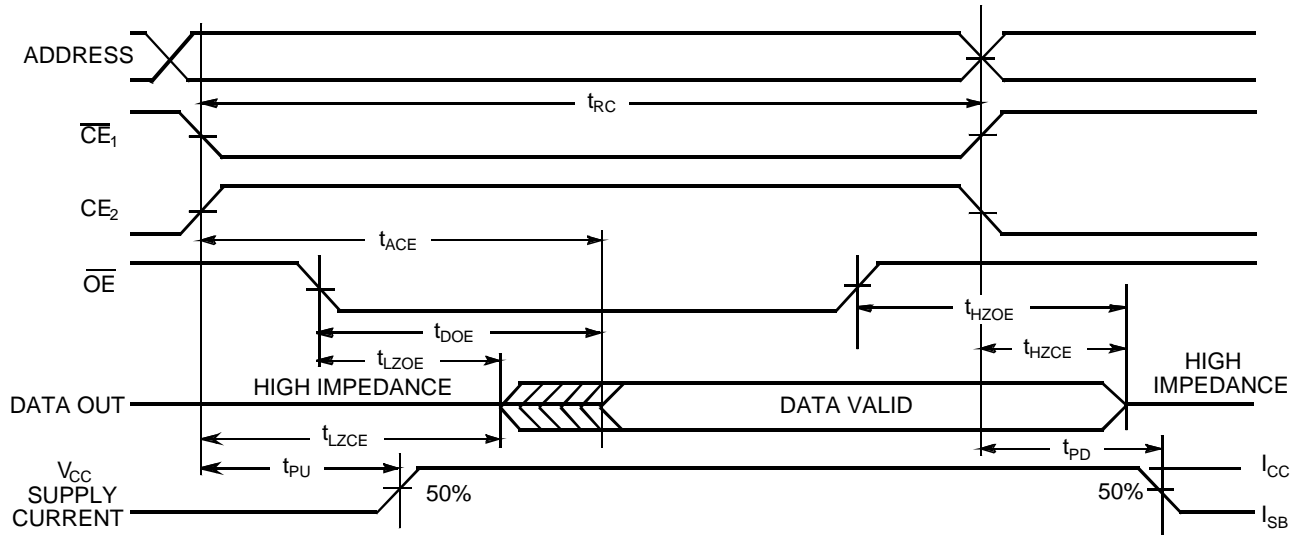
Parameter	Description	CY62128DV30-55		CY62128DV30-70		Unit
		Min.	Max.	Min.	Max.	
Read Cycle						
t_{RC}	Read Cycle Time	55		70		ns
t_{AA}	Address to Data Valid		55		70	ns
t_{OHA}	Data Hold from Address Change	10		10		ns
t_{ACE}	\overline{CE}_1 LOW or CE_2 HIGH to Data Valid		55		70	ns
t_{DOE}	\overline{OE} LOW to Data Valid		25		35	ns
t_{LZOE}	\overline{OE} LOW to Low $Z^{[10]}$	5		5		ns
t_{HZOE}	\overline{OE} HIGH to High $Z^{[10, 11]}$		20		25	ns
t_{LZCE}	\overline{CE}_1 LOW or CE_2 HIGH to Low $Z^{[10]}$	10		10		ns
t_{HZCE}	\overline{CE}_1 HIGH or CE_2 LOW to High $Z^{[10, 11]}$		20		25	ns
t_{PU}	\overline{CE}_1 LOW or CE_2 HIGH to Power-up	0		0		ns
t_{PD}	\overline{CE}_1 HIGH or CE_2 LOW to Power-down		55		70	ns
Write Cycle^[12]						
t_{WC}	Write Cycle Time	55		70		ns
t_{SCE}	\overline{CE}_1 LOW or CE_2 HIGH to Write End	40		60		ns
t_{AW}	Address Set-up to Write End	40		60		ns
t_{HA}	Address Hold from Write End	0		0		ns
t_{SA}	Address Set-up to Write Start	0		0		ns
t_{PWE}	\overline{WE} Pulse Width	40		50		ns
t_{SD}	Data Set-up to Write End	25		30		ns
t_{HD}	Data Hold from Write End	0		0		ns
t_{HZWE}	\overline{WE} LOW to High $Z^{[10, 11]}$		20		25	ns
t_{LZWE}	\overline{WE} HIGH to Low $Z^{[10]}$	10		10		ns

Switching Waveforms
Read Cycle No. 1 (Address Transition Controlled)^[13, 14]

Notes:

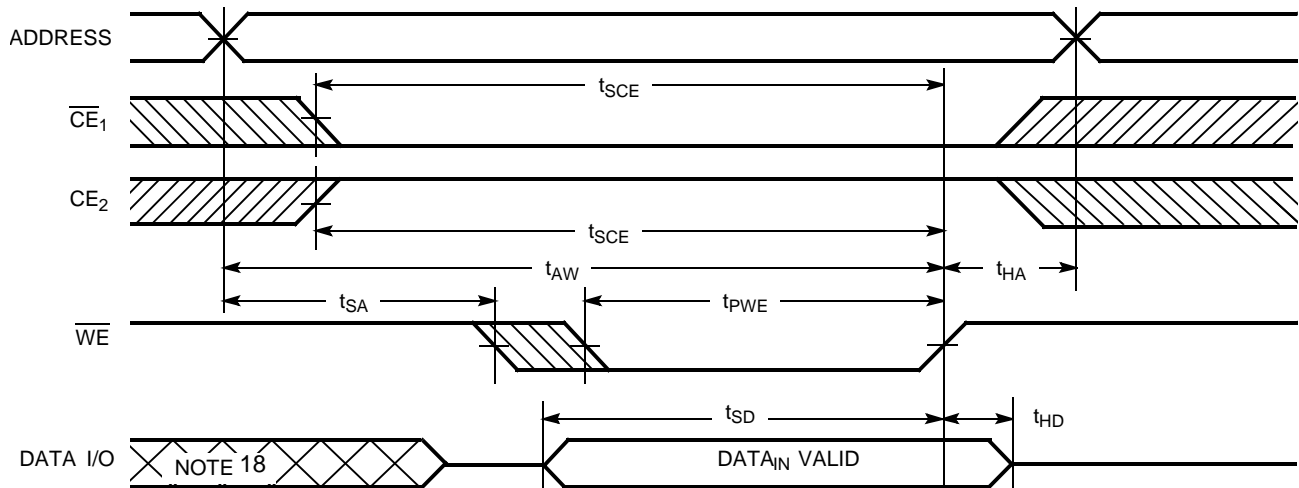
9. Test conditions assume signal transition time of 1V/ns or less, timing reference levels of $V_{CC(typ.)}/2$, input pulse levels of 0 to $V_{CC(typ.)}$, and output loading of the specified I_{OL} .
10. At any given temperature and voltage condition, t_{HZCE} is less than t_{LZCE} , t_{HZBE} is less than t_{LZBE} , t_{HZOE} is less than t_{LZOE} .
11. t_{HZOE} , t_{HZCE} , t_{HZBE} , and t_{HZWE} transitions are measured when the outputs enter a high-impedance state.
12. The internal write time of the memory is defined by the overlap of \overline{WE} , $\overline{CE}_1 = V_{IL}$, and $CE_2 = V_{IH}$. All signals.
13. Device is continuously selected. \overline{OE} , $CE_1 = V_{IL}$, $CE_2 = V_{IH}$.
14. \overline{WE} is HIGH for Read cycle.

Switching Waveforms (continued)

Read Cycle No. 2 (\overline{OE} Controlled)^[11, 14, 15]



Write Cycle No. 1 (\overline{WE} Controlled)^[12, 16, 17, 18]

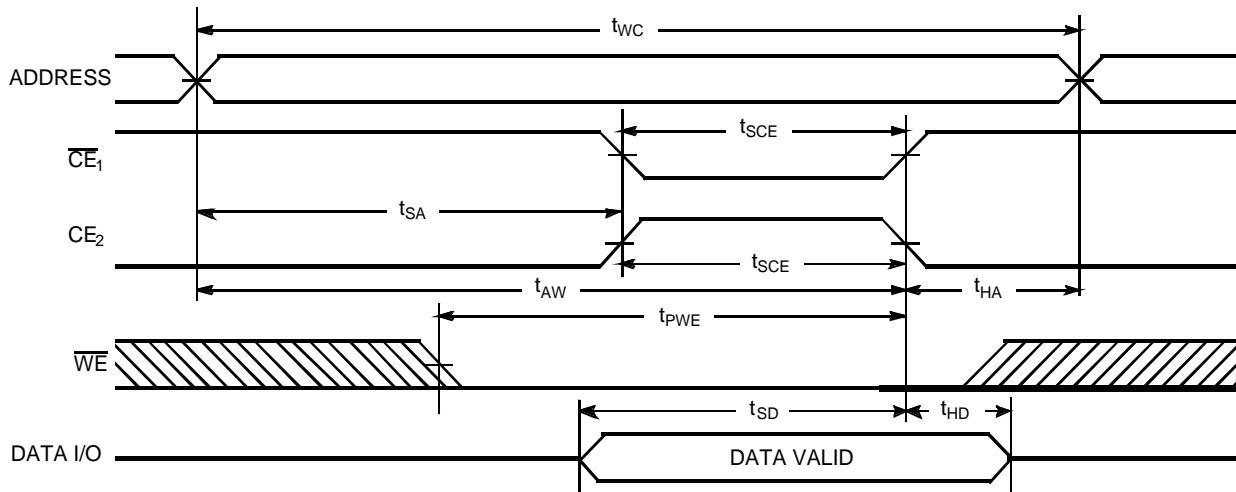


Notes:

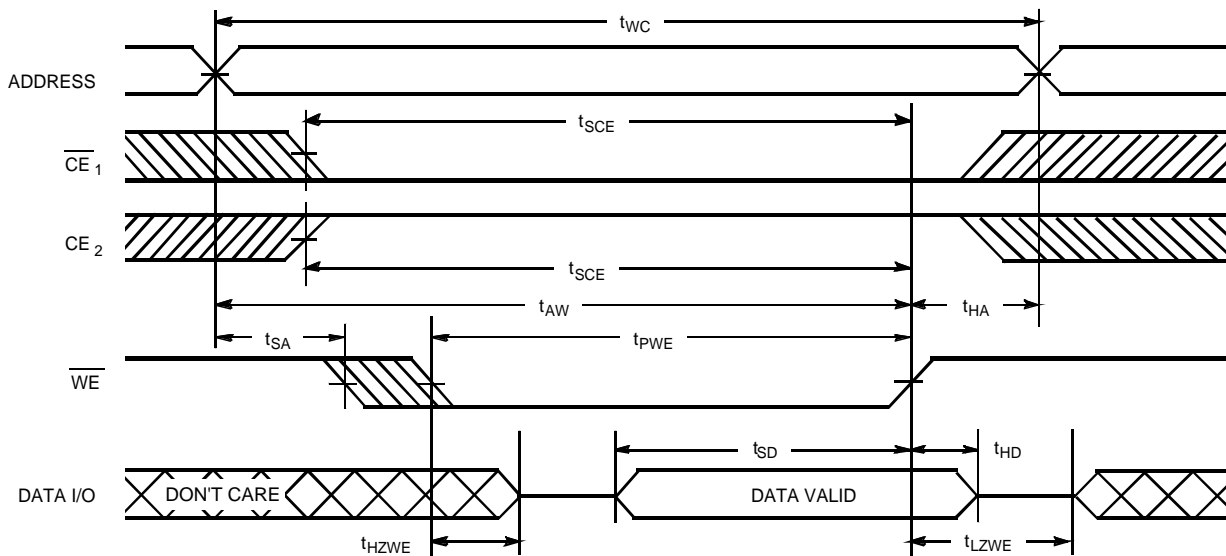
- 15. Address valid prior to or coincident with \overline{CE}_1 transition LOW and CE_2 transition HIGH.
- 16. Data I/O is high-impedance if $\overline{OE} = V_{IH}$.
- 17. If \overline{CE}_1 goes HIGH or CE_2 goes LOW simultaneously with \overline{WE} HIGH, the output remains in a high-impedance state.
- 18. During the DON'T CARE period in the DATA I/O waveform, the I/Os are in output state and input signals should not be applied.

Switching Waveforms (continued)

Write Cycle No. 2 (\overline{CE}_1 or \overline{CE}_2 Controlled)^[12, 16, 17, 18]



Write Cycle No. 3 (\overline{WE} Controlled, \overline{OE} LOW)^[10, 16, 17]



Truth Table

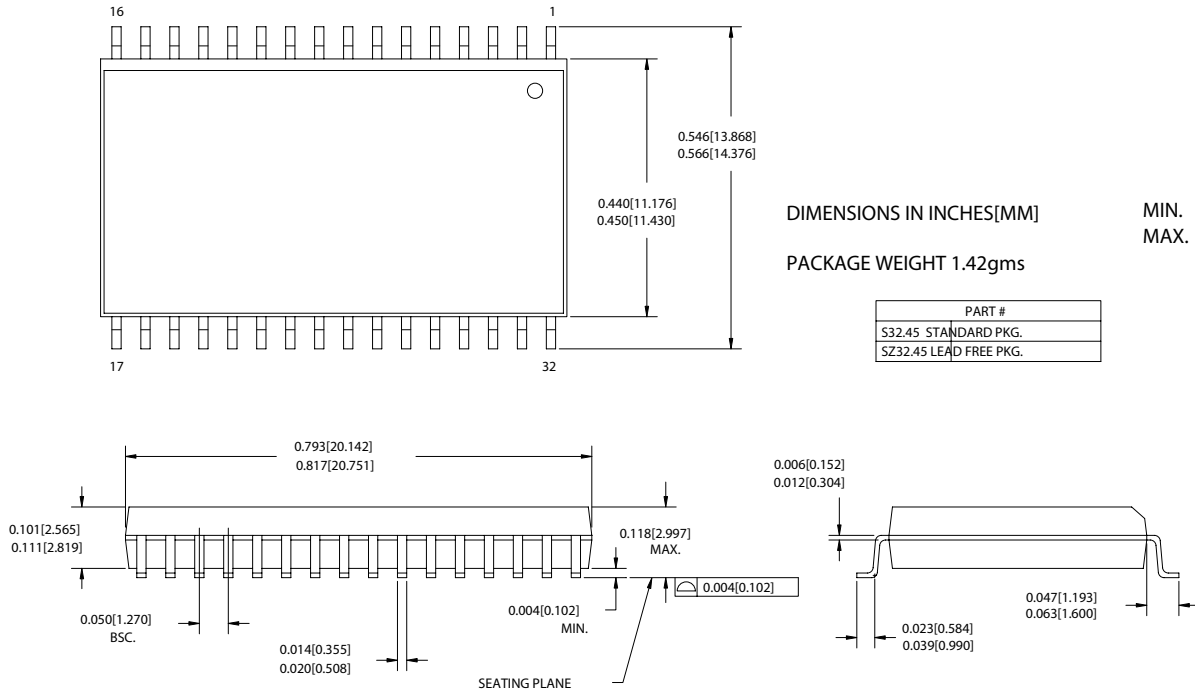
\overline{CE}_1	\overline{CE}_2	\overline{WE}	\overline{OE}	I/O ₀ -I/O ₇	M _{ODE}	Power
H	X	X	X	High Z	Deselet/Power-down	Standby (I _{SB})
X	L	X	X	High Z	Deselet/Power-down	Standby (I _{SB})
L	H	H	L	Data out	Read	Active (I _{CC})
L	H	H	H	High Z	Output Disabled	Active (I _{CC})
L	H	L	X	Data In	Write	Active (I _{CC})

Ordering Information

Speed (ns)	Ordering Code	Package Diagram	Package Type	Operating Range
55	CY62128DV30L-55SI	51-85081	32-lead SOIC	Industrial
	CY62128DV30LL-55SI	51-85081	32-lead SOIC	
	CY62128DV30LL-55SXI	51-85081	32-lead SOIC (Pb-Free)	
	CY62128DV30L-55ZI	51-85056	32-lead TSOP Type 1	
	CY62128DV30LL-55ZI	51-85056	32-lead TSOP Type 1	
	CY62128DV30LL-55ZXI	51-85056	32-lead TSOP Type 1 (Pb-Free)	
	CY62128DV30L-55ZAI	51-85094	32-lead Small TSOP	
	CY62128DV30LL-55ZAI	51-85094	32-lead Small TSOP	
	CY62128DV30LL-55ZAXI	51-85094	32-lead Small TSOP (Pb-Free)	
	CY62128DV30L-55ZRI	51-85089	32-lead Reverse TSOP	
	CY62128DV30LL-55ZRI	51-85089	32-lead Reverse TSOP	
	CY62128DV30LL-55ZRXI	51-85089	32-lead Reverse TSOP	
	70	CY62128DV30L-70SI	51-85081	
CY62128DV30LL-70SI		51-85081	32-lead SOIC	
CY62128DV30LL-70SXI		51-85081	32-lead SOIC (Pb-Free)	
CY62128DV30L-70ZI		51-85056	32-lead TSOP Type 1	
CY62128DV30LL-70ZI		51-85056	32-lead TSOP Type 1	
CY62128DV30LL-70ZXI		51-85056	32-lead TSOP Type 1 (Pb-Free)	
CY62128DV30L-70ZAI		51-85094	32-lead Small TSOP	
CY62128DV30LL-70ZAI		51-85094	32-lead Small TSOP	
CY62128DV30LL-70ZAXI		51-85094	32-lead Small TSOP (Pb-Free)	
CY62128DV30L-70ZRI		51-85089	32-lead Reverse TSOP	
CY62128DV30LL-70ZRI		51-85089	32-lead Reverse TSOP	

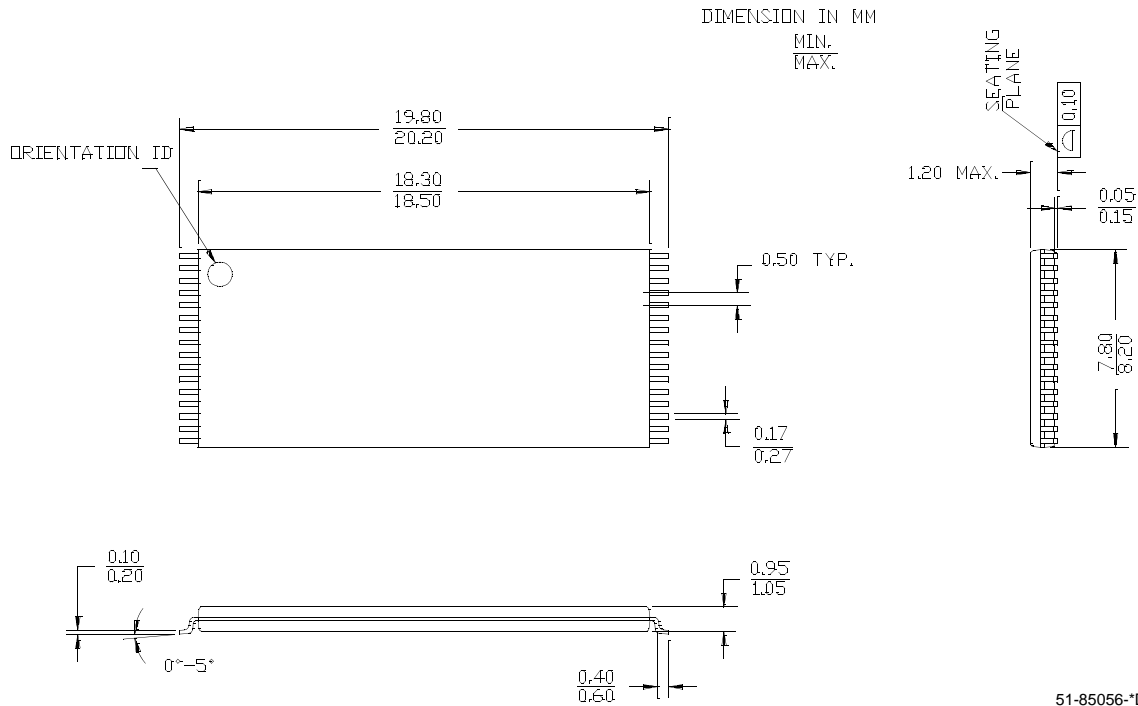
Package Diagrams

32-Lead (450-Mil) SOIC (51-85081)



51-85081-B

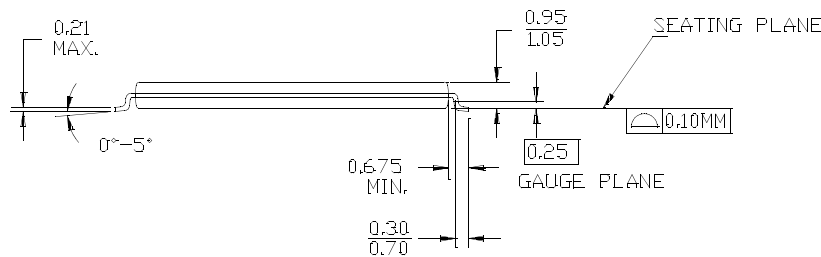
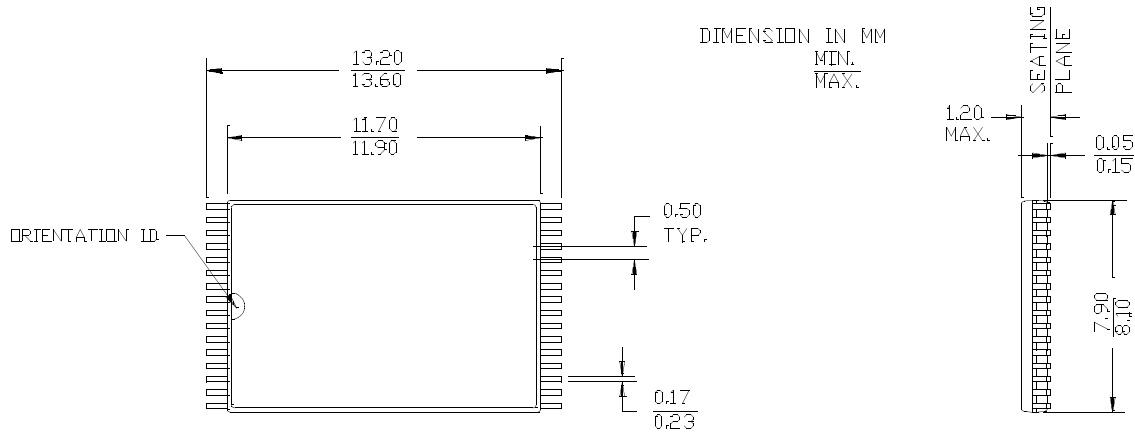
32-Lead TSOP Type I (8 x 20 mm) (51-85056)



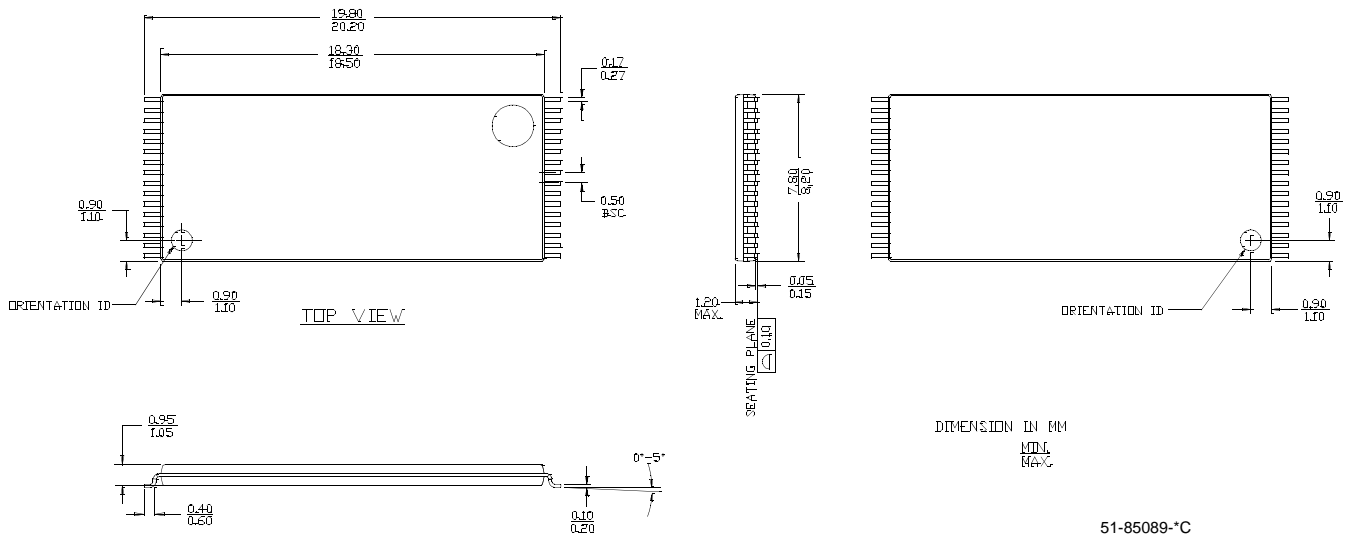
51-85056-D

Package Diagrams (continued)

32-Lead STSOP (8 x 13.4 mm) (51-85094)



32-Lead RTSOP (51-85089)



MoBL is a registered trademark, and MoBL2 and More Battery Life are trademarks, of Cypress Semiconductor Corporation. All product and company names mentioned in this document are the trademarks of their respective holders.

Document History Page

Document Title: CY62128DV30 1-Mb (128K x 8) Static RAM				
Document Number: 38-05231				
REV.	ECN NO.	Issue Date	Orig. of Change	Description of Change
**	117691	08/27/02	JUI	New Data Sheet
*A	127314	5/27/03	MPR	Changed from Advance Information to Preliminary Changed Isb2 to 5 μ A (L), 4 μ A (LL) Changed Iccdr to 4 μ A (L), 3 μ A (LL) Changed Cin from 6 pF to 8 pF
*B	128342	07/23/03	JUI	Changed from Preliminary to Final Add 70-ns speed, updated ordering information
*C	129002	08/29/03	CDY	Changed Icc 1 MHz typ from 0.5 mA to 0.85 mA
*D	347394	See ECN	PCI	Added Lead-Free Packages in Ordering Information Table
*E	395936	See ECN	SYT	Changed address of Cypress Semiconductor Corporation on Page# 1 from "3901 North First Street" to "198 Champion Court" Corrected CE ₁ and CE ₂ waveforms on Write Cycle No.1 on Page# 6. Edited the Write Cycle No.1 switching waveform Data I/O to include Don't Care Condition on Page# 6 Updated the ordering information on Page # 8
*F	428906	See ECN	AJU	Added Thermal Resistance numbers for RTSOP package Updated Ordering Information table by replacing Package Name column with Package Diagram
*G	464721	See ECN	NXR	Updated the Block Diagram on page # 1
*H	470383	See ECN	NXR	Changed pin# 1 of SOIC and STSOP I, pin # 9 of TSOP I and RTSOP I from NC to DNU and added footnote# 3