

3.3V SDRAM Buffer for Mobile PCs with 4 SO-DIMMs

Features

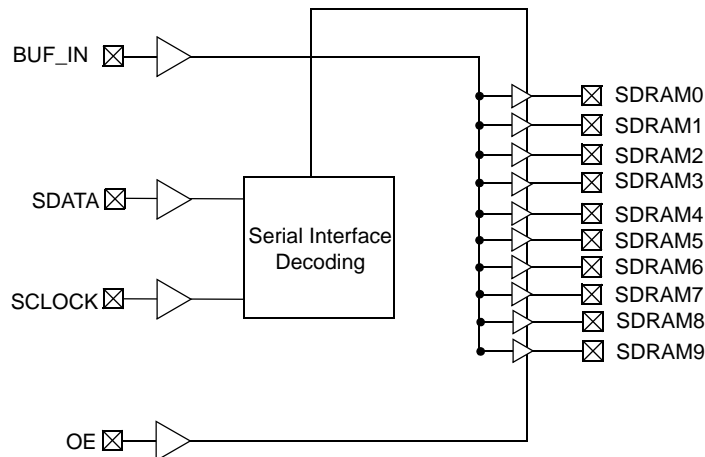
- One input to 10 output buffer and driver
- Supports up to four SDRAM SO-DIMMs
- Two additional outputs for feedback
- Serial interface for output control
- Low skew outputs
- Up to 100 MHz operation
- Multiple V_{DD} and V_{SS} pins for noise reduction
- Dedicated OE pin for testing
- Space saving 28-pin SSOP package
- 3.3V operation

Functional Description

The CY2310ANZ is a 3.3V buffer designed to distribute high speed clocks in mobile PC applications. The part has 10 outputs, eight of which are used to drive up to four SDRAM SO-DIMMs. The remaining are used for external feedback to a PLL. The device operates at 3.3V and outputs can run up to 100 MHz, thus making it compatible with Pentium II® processors. The CY2310ANZ can be used in conjunction with the CY2281 or similar clock synthesizer for a full Pentium II motherboard solution.

The CY2310ANZ also includes a serial interface which can enable or disable each output clock. During power up, all output clocks are enabled. A separate Output Enable pin facilitates testing on ATE.

Logic Block Diagram



Pin Configuration

Figure 1. Pin Diagram: 28-Pin SSOP

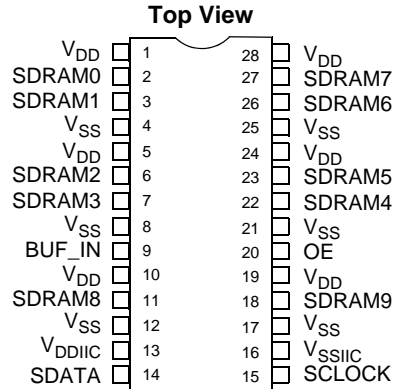


Table 1. Pin Summary

Name	Pins	Description
V _{DD}	1, 5, 10, 19, 24, 28	3.3V Digital voltage supply
V _{SS}	4, 8, 12, 17, 21, 25	Ground
V _{DDIIC}	13	Serial interface voltage supply
V _{SSIIC}	16	Ground for serial interface
BUF_IN	9	Input clock
OE	20	Output Enable, three-states outputs when LOW. Internal pull up to V _{DD}
SDATA	14	Serial data input, internal pull-up to V _{DD}
SCLK	15	Serial clock input, internal pull-up to V _{DD}
SDRAM [0–3]	2, 3, 6, 7	SDRAM byte 0 clock outputs
SDRAM [4–7]	22, 23, 26, 27	SDRAM byte 1 clock outputs
SDRAM [8–9]	11, 18	SDRAM byte 2 clock outputs

Device Functionality

OE	SDRAM [0–17]
0	High-Z
1	1 x BUF_IN

Serial Configuration Map

- The serial bits are read by the clock driver in the following order:
 - Byte 0 - Bits 7, 6, 5, 4, 3, 2, 1, 0
 - Byte 1 - Bits 7, 6, 5, 4, 3, 2, 1, 0
 - Byte N - Bits 7, 6, 5, 4, 3, 2, 1, 0
- Reserved and unused bits should be programmed to “0”.
- Serial interface address for the CY2310ANZ is:

A6	A5	A4	A3	A2	A1	A0	R/W
1	1	0	1	0	0	1	----

**Byte 0:SDRAM Active/Inactive Register
(1 = Enable, 0 = Disable), Default = Enabled**

Bit	Pin No.	Description
Bit 7	--	Initialize to 0
Bit 6	--	Initialize to 0
Bit 5	--	Initialize to 0
Bit 4	--	Initialize to 0
Bit 3	7	SDRAM3 (Active/Inactive)
Bit 2	6	SDRAM2 (Active/Inactive)
Bit 1	3	SDRAM1 (Active/Inactive)
Bit 0	2	SDRAM0 (Active/Inactive)

**Byte 1: SDRAM Active/Inactive Register
(1 = Active, 0 = Inactive), Default = Active**

Bit	Pin No.	Description
Bit 7	27	SDRAM7 (Active/Inactive)
Bit 6	26	SDRAM6 (Active/Inactive)
Bit 5	23	SDRAM5 (Active/Inactive)
Bit 4	22	SDRAM4 (Active/Inactive)
Bit 3	--	Initialize to 0
Bit 2	--	Initialize to 0
Bit 1	--	Initialize to 0
Bit 0	--	Initialize to 0

**Byte 2: SDRAM Active/Inactive Register
(1 = Active, 0 = Inactive), Default = Active**

Bit	Pin No.	Description
Bit 7	18	SDRAM9 (Active/Inactive)
Bit 6	11	SDRAM8 (Active/Inactive)
Bit 5	--	Reserved, drive to 0
Bit 4	--	Reserved, drive to 0
Bit 3	--	Reserved, drive to 0
Bit 2	--	Reserved, drive to 0
Bit 1	--	Reserved, drive to 0
Bit 0	--	Reserved, drive to 0

Maximum Ratings

Supply Voltage to Ground Potential.....-0.5V to +7.0V
 DC Input Voltage (Except BUF_IN)-0.5V to $V_{DD} + 0.5V$
 DC Input Voltage (BUF_IN)-0.5V to +7.0V

Storage Temperature-65°C to +150°C
 Junction Temperature 150°C
 Static Discharge Voltage
 (per MIL-STD-883, Method 3015) >2000V

Operating Conditions

Parameter	Description	Min	Max	Unit
V_{DD}	Supply Voltage	3.135	3.465	V
T_A	Operating Temperature (Ambient Temperature)	0	70	°C
C_L	Load Capacitance	20	30	pF
C_{IN}	Input Capacitance		7	pF
t_{PU}	Power up time for all V_{DDs} to reach minimum specified voltage (power ramps must be monotonic)	0.05	50	ms

Electrical Characteristics

Parameter	Description	Test Conditions	Min	Max	Unit
V_{IL}	Input LOW Voltage ^[1]	Except serial interface pins		0.8	V
V_{ILiic}	Input LOW Voltage	For serial interface pins only		0.7	V
V_{IH}	Input HIGH Voltage ^[1]		2.0		V
I_{IL}	Input LOW Current (BUF_IN input)	$V_{IN} = 0V$	-10	10	μA
I_{IL}	Input LOW Current (Except BUF_IN Pin)	$V_{IN} = 0V$		100	μA
I_{IH}	Input HIGH Current	$V_{IN} = V_{DD}$	-10	10	μA
V_{OL}	Output LOW Voltage ^[2]	$I_{OL} = 25\text{ mA}$		0.4	V
V_{OH}	Output HIGH Voltage ^[2]	$I_{OH} = -36\text{ mA}$	2.4		V
I_{DD}	Supply Current ^[2]	Unloaded outputs, 100-MHz		200	mA
I_{DD}	Supply Current	Loaded outputs, 100-MHz		360	mA
I_{DD}	Supply Current ^[2]	Unloaded outputs, 66.67-MHz		150	mA
I_{DD}	Supply Current	Loaded outputs, 66.67-MHz		230	mA
I_{DDs}	Supply Current	BUF_IN= V_{DD} or V_{SS} All other inputs at V_{DD}		500	μA

Notes

1. BUF_IN input has a threshold voltage of $V_{DD}/2$.
2. Parameter is guaranteed by design and characterization. Not 100% tested in production

Switching Characteristics^[3]

Parameter	Name	Test Conditions	Min	Typ	Max	Unit
	Maximum Operating Frequency				100	MHz
	Duty Cycle ^[2, 4] = $t_2 \div t_1$	Measured at 1.5V	45.0	50.0	55.0	%
t_3	Rising Edge Rate ^[2]	Measured between 0.4V and 2.4V	0.9	1.5	4.0	V/ns
t_4	Falling Edge Rate ^[2]	Measured between 2.4V and 0.4V	0.9	1.5	4.0	V/ns
t_5	Output to Output Skew ^[2]	All outputs equally loaded		150	250	ps
t_6	SDRAM Buffer LH Prop. Delay ^[2]	Input edge greater than 1 V/ns	1.0	3.5	5.0	ns
t_7	SDRAM Buffer HL Prop. Delay ^[2]	Input edge greater than 1 V/ns	1.0	3.5	5.0	ns
t_8	SDRAM Buffer Enable Delay ^[2]	Input edge greater than 1 V/ns	1.0	5	12	ns
t_9	SDRAM Buffer Disable Delay ^[2]	Input edge greater than 1 V/ns	1.0	20	30	ns

Switching Waveforms

Figure 2. Duty Cycle Timing

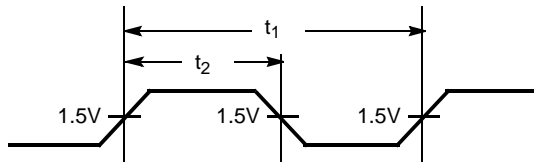


Figure 3. All Outputs Rise/Fall Time

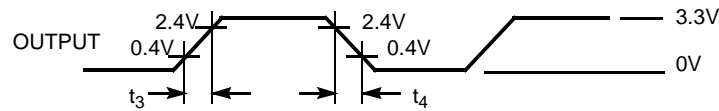
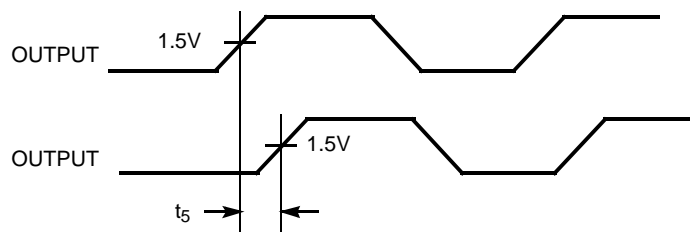


Figure 4. Output-Output Skew



Notes

- 3. All parameters specified with loaded outputs.
- 4. Duty cycle of input clock is 50%. Rising and falling edge rate is greater than 1V/n

Figure 5. SDRAM Buffer LH and HL Propagation Delay

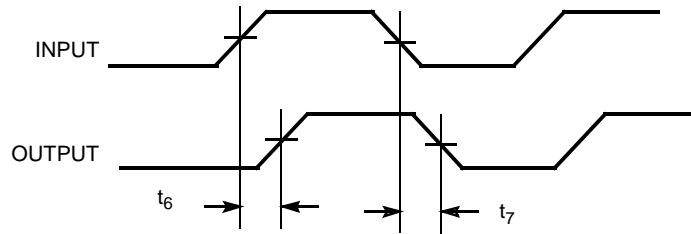


Figure 6. SDRAM Buffer Enable and Disable Times

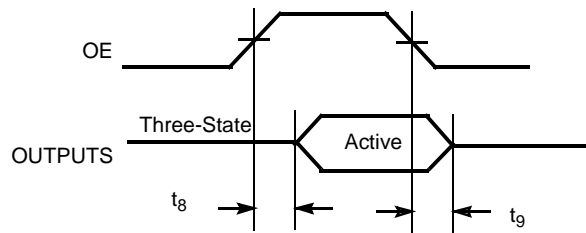
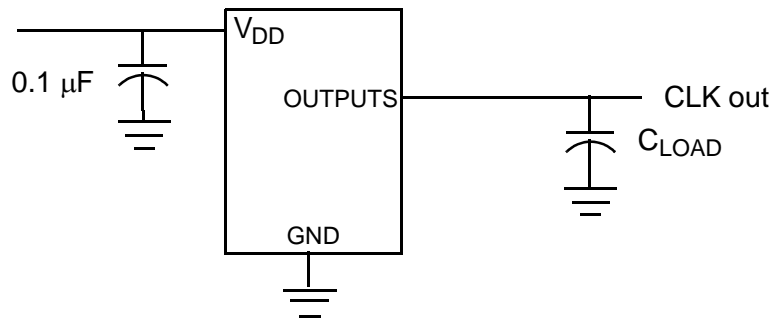
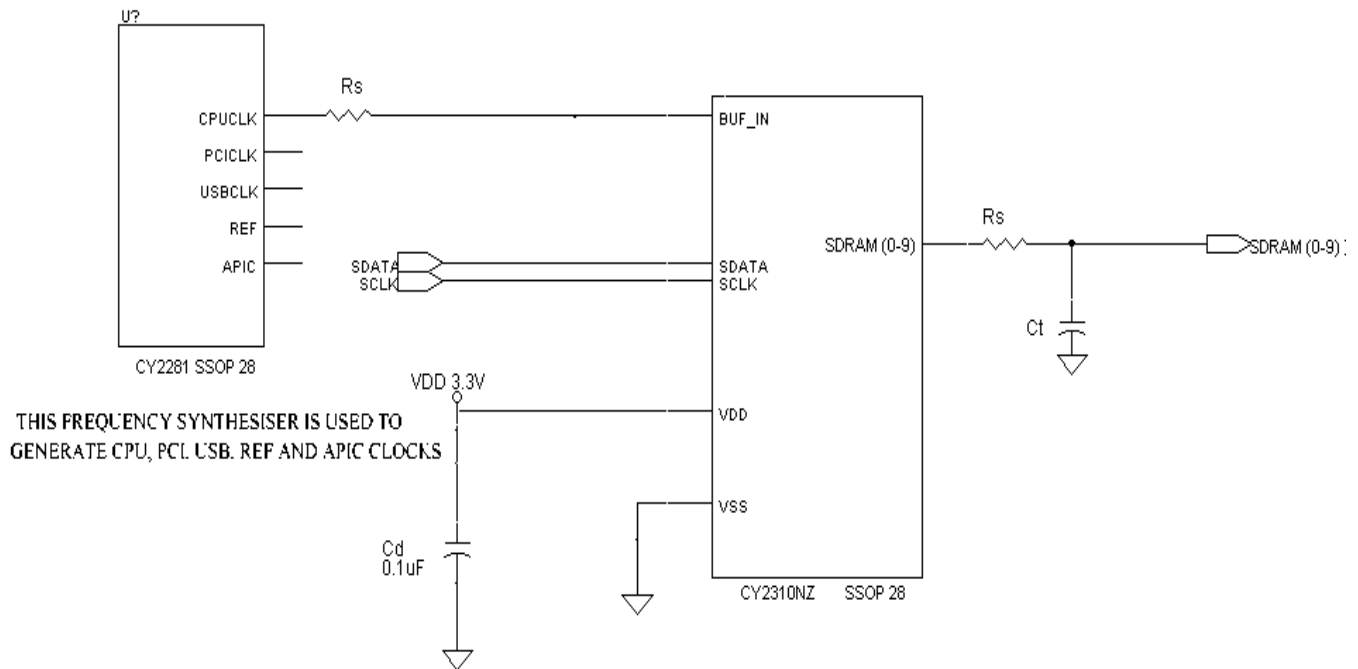


Figure 7. Test Circuit



Application Information

Clock traces must be terminated with either series or parallel termination, as is normally done.



Cd = DECOUPLING CAPACITOR

Ct = OPTIONAL EMI-REDUCING CAPACITORS

Rs = SERIES TERMINATING RESISTORS

Summary

- Surface mount, low ESR, ceramic capacitors should be used for filtering. Typically, these capacitors have a value of 0.1 μ F. In some cases, smaller value capacitors may be required.
- The value of the series terminating resistor satisfies the following equation, where R_{trace} is the loaded characteristic impedance of the trace, R_{out} is the output impedance of the buffer (typically 25 Ω), and R_{series} is the series terminating resistor.

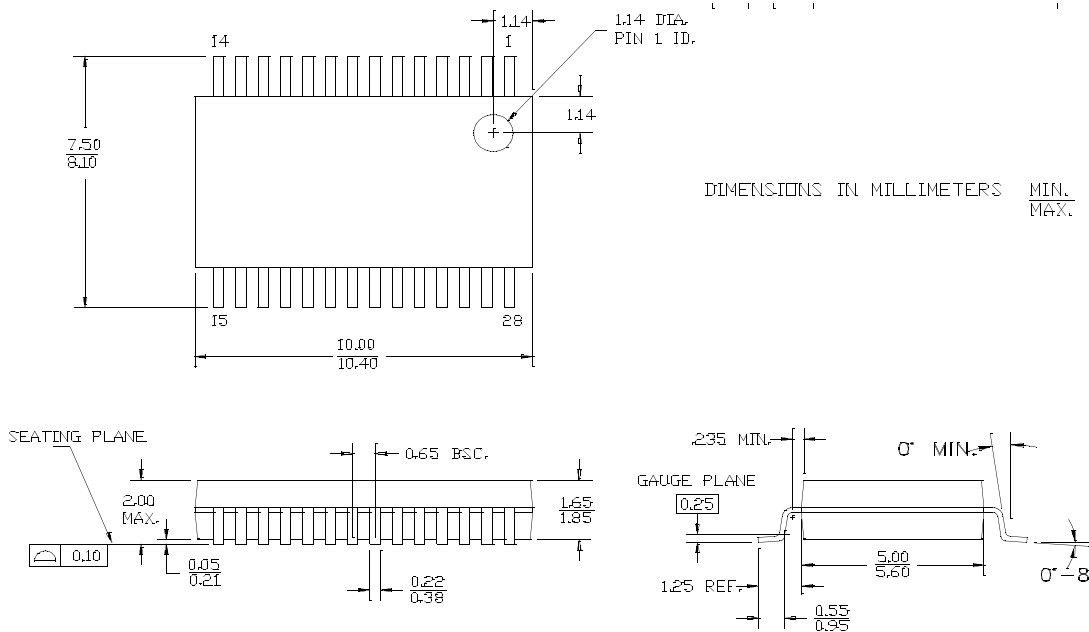
$$R_{series} > R_{trace} - R_{out}$$
- Footprints must be laid out for optional EMI-reducing capacitors, which should be placed as close to the terminating resistor as is physically possible. Typical values of these capacitors range from 4.7 pF to 22 pF.
- A Ferrite Bead **may** be used to isolate the Board V_{DD} from the clock generator V_{DD} island. Ensure that the Ferrite Bead offers greater than 50 Ω impedance at the clock frequency, under loaded DC conditions. Please refer to the application note "Layout and Termination Techniques for Cypress Clock Generators" for more details.
- If a Ferrite Bead is used, a 10 μ F to 22 μ F tantalum bypass capacitor should be placed close to the Ferrite Bead. This capacitor prevents power supply droop during current surges.

Ordering Information

Ordering Code	Package Type	Operating Range
CY2310ANZPVC-1T	28-Pin SSOP - Tape and Reel	Commercial
Pb-Free		
CY2310ANZPVXC-1	28-Pin SSOP	Commercial
CY2310ANZPVXC-1T	28-Pin SSOP - Tape and Reel	Commercial

Package Diagram

Figure 8. 28-Pin (5.3 mm) Shrunk Small Outline Package O28



51-85079-°C

Document History Page

Document Title: CY2310ANZ 3.3V SDRAM Buffer for Mobile PCs with 4 SO-DIMMs Document Number: 38-07142				
Rev.	ECN No.	Orig. of Change	Submission Date	Description of Change
**	110251	DSG	11/18/01	Change from Spec number: 38-00659 to 38-07142
*A	121829	RBI	12/14/02	Power up requirements added to Operating Conditions Information
*B	310555	RGL	See ECN	Added Lead-free Devices
*C	2635282	KVM/PYRS	01/13/09	Remove CY2310ANZPVC-1 from Ordering Information table Replace "Lead-Free" with "Pb-Free"

Sales, Solutions, and Legal Information

Worldwide Sales and Design Support

Cypress maintains a worldwide network of offices, solution centers, manufacturer's representatives, and distributors. To find the office closest to you, visit us at cypress.com/sales

Products

PSoC	psoc.cypress.com
Clocks & Buffers	clocks.cypress.com
Wireless	wireless.cypress.com
Memories	memory.cypress.com
Image Sensors	image.cypress.com

PSoC Solutions

General	psoc.cypress.com/solutions
Low Power/Low Voltage	psoc.cypress.com/low-power
Precision Analog	psoc.cypress.com/precision-analog
LCD Drive	psoc.cypress.com/lcd-drive
CAN 2.0b	psoc.cypress.com/can
USB	psoc.cypress.com/

© Cypress Semiconductor Corporation, 2001-2009. The information contained herein is subject to change without notice. Cypress Semiconductor Corporation assumes no responsibility for the use of any circuitry other than circuitry embodied in a Cypress product. Nor does it convey or imply any license under patent or other rights. Cypress products are not warranted nor intended to be used for medical, life support, life saving, critical control or safety applications, unless pursuant to an express written agreement with Cypress. Furthermore, Cypress does not authorize its products for use as critical components in life-support systems where a malfunction or failure may reasonably be expected to result in significant injury to the user. The inclusion of Cypress products in life-support systems application implies that the manufacturer assumes all risk of such use and in doing so indemnifies Cypress against all charges.

Any Source Code (software and/or firmware) is owned by Cypress Semiconductor Corporation (Cypress) and is protected by and subject to worldwide patent protection (United States and foreign), United States copyright laws and international treaty provisions. Cypress hereby grants to licensee a personal, non-exclusive, non-transferable license to copy, use, modify, create derivative works of, and compile the Cypress Source Code and derivative works for the sole purpose of creating custom software and or firmware in support of licensee product to be used only in conjunction with a Cypress integrated circuit as specified in the applicable agreement. Any reproduction, modification, translation, compilation, or representation of this Source Code except as specified above is prohibited without the express written permission of Cypress.

Disclaimer: CYPRESS MAKES NO WARRANTY OF ANY KIND, EXPRESS OR IMPLIED, WITH REGARD TO THIS MATERIAL, INCLUDING, BUT NOT LIMITED TO, THE IMPLIED WARRANTIES OF MERCHANTABILITY AND FITNESS FOR A PARTICULAR PURPOSE. Cypress reserves the right to make changes without further notice to the materials described herein. Cypress does not assume any liability arising out of the application or use of any product or circuit described herein. Cypress does not authorize its products for use as critical components in life-support systems where a malfunction or failure may reasonably be expected to result in significant injury to the user. The inclusion of Cypress' product in a life-support systems application implies that the manufacturer assumes all risk of such use and in doing so indemnifies Cypress against all charges.

Use may be limited by and subject to the applicable Cypress software license agreement.