

1M (64K x 16) Static RAM

Features

- **High Speed: 55 ns and 70 ns**
- **Wide voltage range: 2.7V–3.6V**
- **Low active power**
— 54 mW (max.) (15 mA)
- **Low standby power (70 ns)**
— 54 μW (max.) (15 μA)
- **Easy memory expansion with \overline{CE} and \overline{OE} features**
- **Automatic power-down when deselected**
- **CMOS for optimum speed/power**
- **Package available in a 44-pin TSOP Type II (forward pinout) and a 48-ball fBGA package**

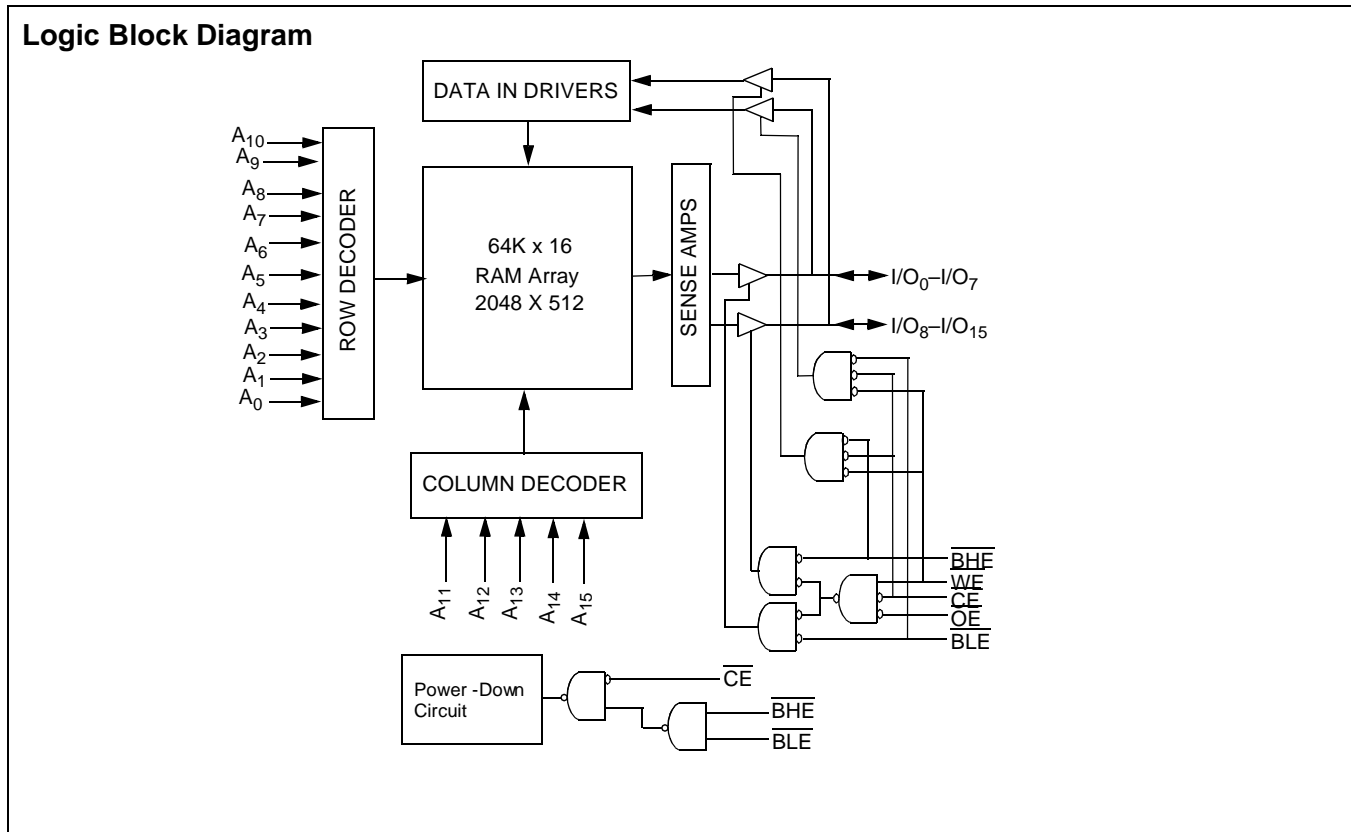
Functional Description^[1]

The CY62127BV MoBL® MoBL® is a high-performance CMOS static RAM organized as 64K words by 16 bits. This device features advanced circuit design to provide ultra-low active current. This is ideal for providing More Battery Life™ (MoBL) in portable applications such as cellular telephones. The device also has an automatic power-down feature that

significantly reduces power consumption when addresses are not toggling, or when deselected (\overline{CE} HIGH or both \overline{BLE} and \overline{BHE} are HIGH). The input/output pins (I/O_0 through I/O_{15}) are placed in a high-impedance state when: deselected (\overline{CE} HIGH), outputs are disabled (\overline{OE} HIGH), both Byte High Enable and Byte Low Enable are disabled (\overline{BHE} , \overline{BLE} HIGH), or during a write operation (\overline{CE} LOW, and \overline{WE} LOW).

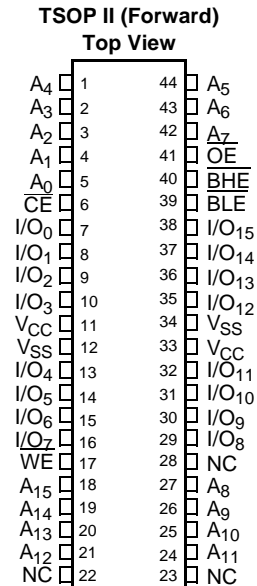
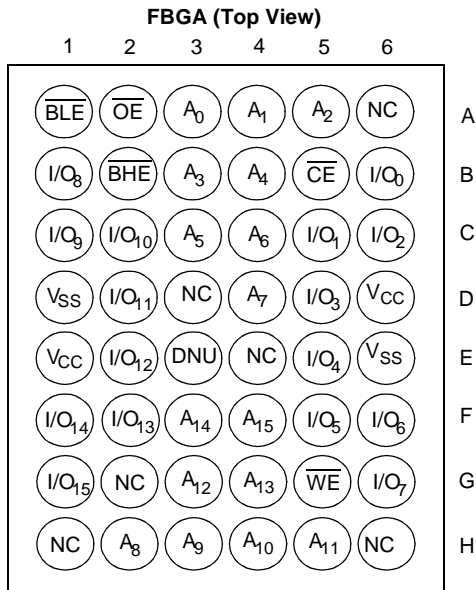
Writing to the device is accomplished by taking Chip Enable (\overline{CE}) and Write Enable (\overline{WE}) inputs LOW. If Byte Low Enable (\overline{BLE}) is LOW, then data from I/O pins (I/O_1 through I/O_8), is written into the location specified on the address pins (A_0 through A_{15}). If Byte High Enable (\overline{BHE}) is LOW, then data from I/O pins (I/O_9 through I/O_{16}) is written into the location specified on the address pins (A_0 through A_{15}).

Reading from the device is accomplished by taking Chip Enable (\overline{CE}) and Output Enable (\overline{OE}) LOW while forcing the Write Enable (\overline{WE}) HIGH. If Byte Low Enable (\overline{BLE}) is LOW, then data from the memory location specified by the address pins will appear on I/O_0 to I/O_7 . If Byte High Enable (\overline{BHE}) is LOW, then data from memory will appear on I/O_8 to I/O_{15} . See the truth table at the back of this data sheet for a complete description of read and write modes.



Note:

1. For best practice recommendations, please refer to the Cypress application note "System Design Guidelines" on <http://www.cypress.com>.

Pin Configurations^[2]

Maximum Ratings

(Above which the useful life may be impaired. For user guidelines, not tested.)

Storage Temperature -65°C to +150°C
 Ambient Temperature with
 Power Applied -55°C to +125°C
 Supply Voltage to Ground Potential -0.5V to 4.6V
 DC Voltage Applied to Outputs
 in High-Z State^[3] -0.5V to V_{CC} + 0.5V

DC Input Voltage^[3] -0.5V to V_{CC} + 0.5V
 Output Current into Outputs (LOW) 20 mA
 Static Discharge Voltage >2001V
 (per MIL-STD-883, Method 3015)
 Latch-up Current >200 mA

Operating Range

Range	Ambient Temperature	V _{CC}
Industrial	-40°C to +85°C	2.7V to 3.6V

Product Portfolio

Product	V _{CC} Range (V)			Speed (ns)	Power Dissipation (Industrial)			
	V _{CC} (min.)	V _{CC} (typ.) ^[4]	V _{CC} (max.)		Operating, I _{CC} (mA) f = f _{max}		Standby, I _{SB2} (μA)	
					Max.	Typ. ^[4]	Max.	Max.
CY62127BV MoBL [®]	2.7	3.0	3.6	55	20	0.5	15	
				70	15			

Notes:

2. NC pins are not connected to the die.
3. V_{IL}(min.) = -2.0V for pulse durations less than 20 ns.
4. Typical values are included for reference only and are not guaranteed or tested. Typical values are measured at V_{CC} = V_{CC}(typ.), T_A = 25°C.

Electrical Characteristics Over the Operating Range

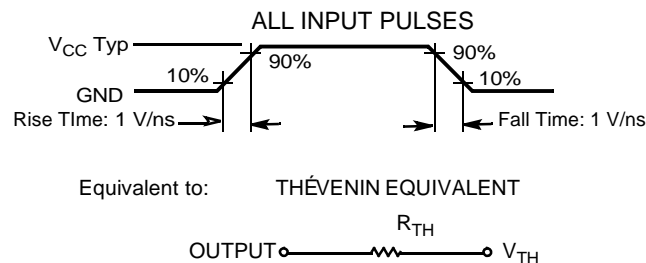
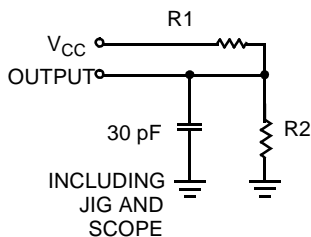
Parameter	Description	Test Conditions	CY62127BV MoBL [®] -55			CY62127BV MoBL [®] -70			Unit
			Min.	Typ. ^[4]	Max.	Min.	Typ. ^[4]	Max.	
V _{OH}	Output HIGH Voltage	I _{OH} = -1.0 mA V _{CC} = 2.7V	2.2			2.2			V
V _{OL}	Output LOW Voltage	I _{OL} = 2.1 mA V _{CC} = 2.7V			0.4			0.4	V
V _{IH}	Input HIGH Voltage		2.0		V _{CC} + 0.3V	2.0		V _{CC} + 0.3V	V
V _{IL}	Input LOW Voltage		-0.3		0.4	-0.3		0.4	V
I _{IX}	Input Leakage Current	GND ≤ V _I ≤ V _{CC}	-1		+1	-1		+1	μA
I _{OZ}	Output Leakage Current	GND ≤ V _I ≤ V _{CC} , Output Disabled	-1		+1	-1		+1	μA
I _{CC}	V _{CC} Operating Supply Current	f = f _{MAX} = 1/t _{RC} V _{CC} = 3.6V I _{OUT} = 0 mA CMOS Levels			20			15	mA
I _{SB1}	Automatic CE Power-Down Current— TTL Inputs	Max. V _{CC} , $\overline{CE} \geq V_{IH}$ V _{IN} ≥ V _{IH} or V _{IN} ≤ V _{IL} , f = f _{MAX}			2			2	mA
I _{SB2}	Automatic CE Power-Down Current— CMOS Inputs	Max. V _{CC} , $\overline{CE} \geq V_{CC} - 0.3V$, V _{IN} ≥ V _{CC} - 0.3V, or V _{IN} ≤ 0.3V, f = 0		0.5	15		0.5	15	μA

Capacitance^[5]

Parameter	Description	Test Conditions	Max.	Unit
C _{IN}	Input Capacitance	T _A = 25°C, f = 1 MHz, V _{CC} = 3.3V	9	pF
C _{OUT}	Output Capacitance		9	pF

Thermal Resistance

Description	Test Conditions	Symbol	BGA	Unit
Thermal Resistance (Junction to Ambient) ^[5]	Still Air, soldered on a 4.25 x 1.125 inch, 4-layer printed circuit board	θ _{JA}	55	°C/W
Thermal Resistance (Junction to Case) ^[5]		θ _{JC}	16	°C/W

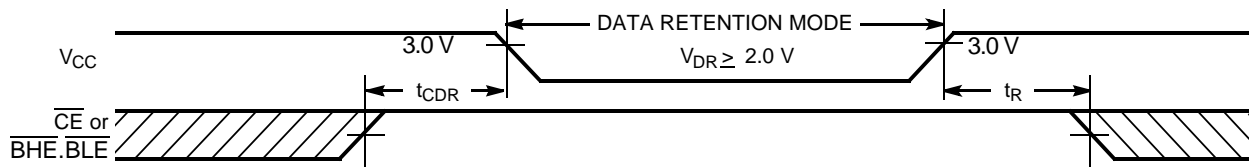
AC Test Loads and Waveforms

Note:

5. Tested initially and after any design or process changes that may affect these parameters.

Parameters	3.0V	Unit
R1	1.076	K Ohms
R2	1.262	K Ohms
R _{TH}	0.581	K Ohms
V _{TH}	1.620	Volts

Data Retention Characteristics (Over the Operating Range)

Parameter	Description	Conditions	Min.	Typ. ^[4]	Max.	Unit
V _{DR}	V _{CC} for Data Retention		2.0		3.6	V
I _{CCDR}	Data Retention Current	V _{CC} = V _{DR} = 2.0V, CE ≥ V _{CC} - 0.3V, V _{IN} ≥ V _{CC} - 0.3V or V _{IN} ≤ 0.3V		0.5	15	μA
t _{CDR} ^[5]	Chip Deselect to Data Retention Time		0			ns
t _R ^[6]	Operation Recovery Time		t _{RC}			ns

Data Retention Waveform^[7]

Switching Characteristics Over the Operating Range ^[8]

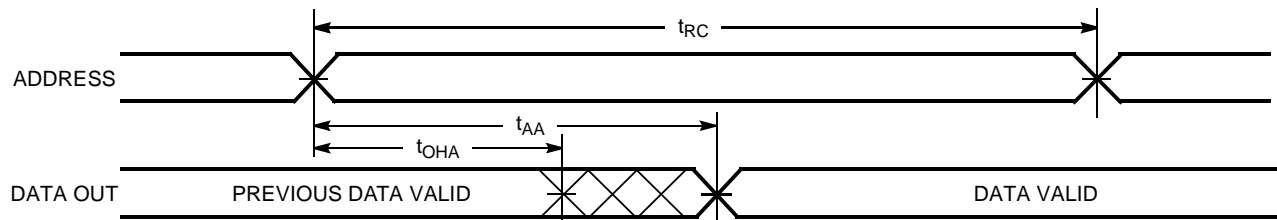
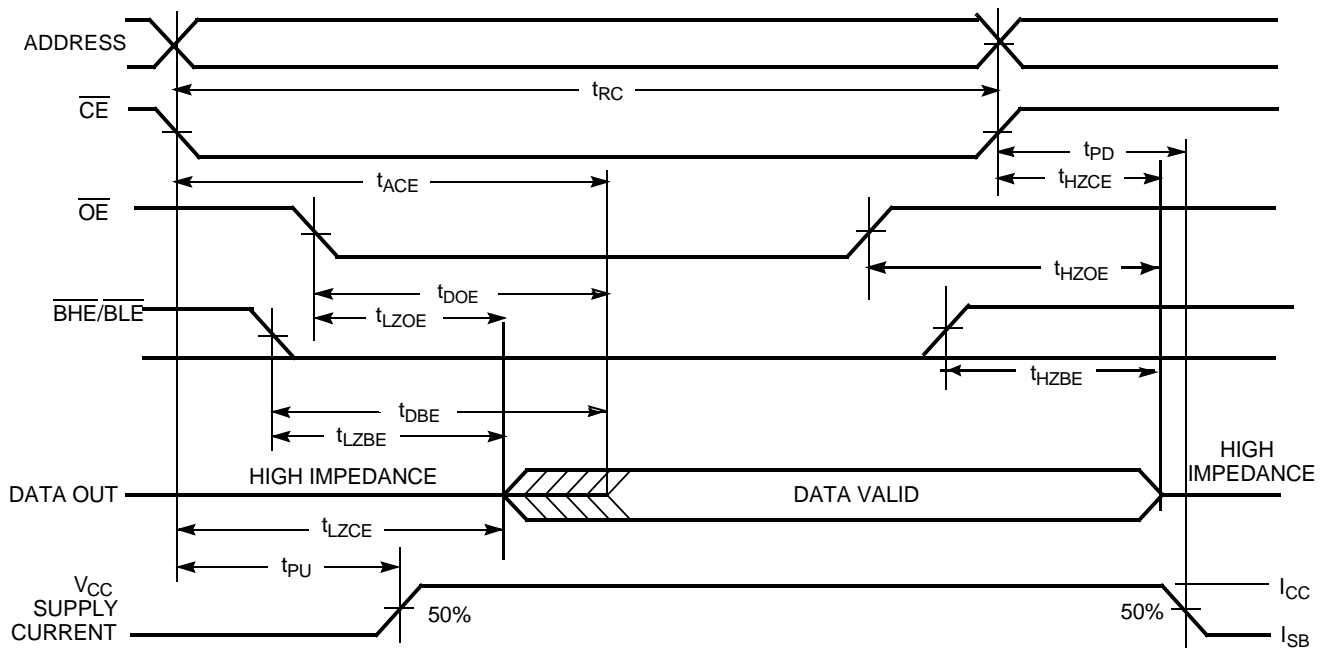
Parameter	Description	55 ns		70 ns		Unit
		Min.	Max.	Min.	Max.	
Read Cycle						
t _{RC}	Read Cycle Time	55		70		ns
t _{AA}	Address to Data Valid		55		70	ns
t _{OHA}	Data Hold from Address Change	10		10		ns
t _{ACE}	CE LOW to Data Valid		55		70	ns
t _{DOE}	OE LOW to Data Valid		25		35	ns
t _{LZOE}	OE LOW to Low Z ^[9]	5		5		ns
t _{HZOE}	OE HIGH to High Z ^[9, 11]		20		25	ns
t _{LZCE}	CE LOW to Low Z ^[9]	10		10		ns
t _{HZCE}	CE HIGH to High Z ^[9, 11]		20		25	ns
t _{PU}	CE LOW to Power-Up	0		0		ns
t _{PD}	CE HIGH to Power-Down		55		70	ns
t _{DBE}	BHE / BLE LOW to Data Valid		55		70	ns
t _{LZBE} ^[10]	BHE / BLE LOW to Low Z ^[9]	5		5		ns
t _{HZBE}	BHE / BLE HIGH to High Z ^[9, 11]		20		25	ns
Write Cycle^[12]						
t _{WC}	Write Cycle Time	55		70		ns
t _{SCE}	CE LOW to Write End	45		60		ns

Notes:

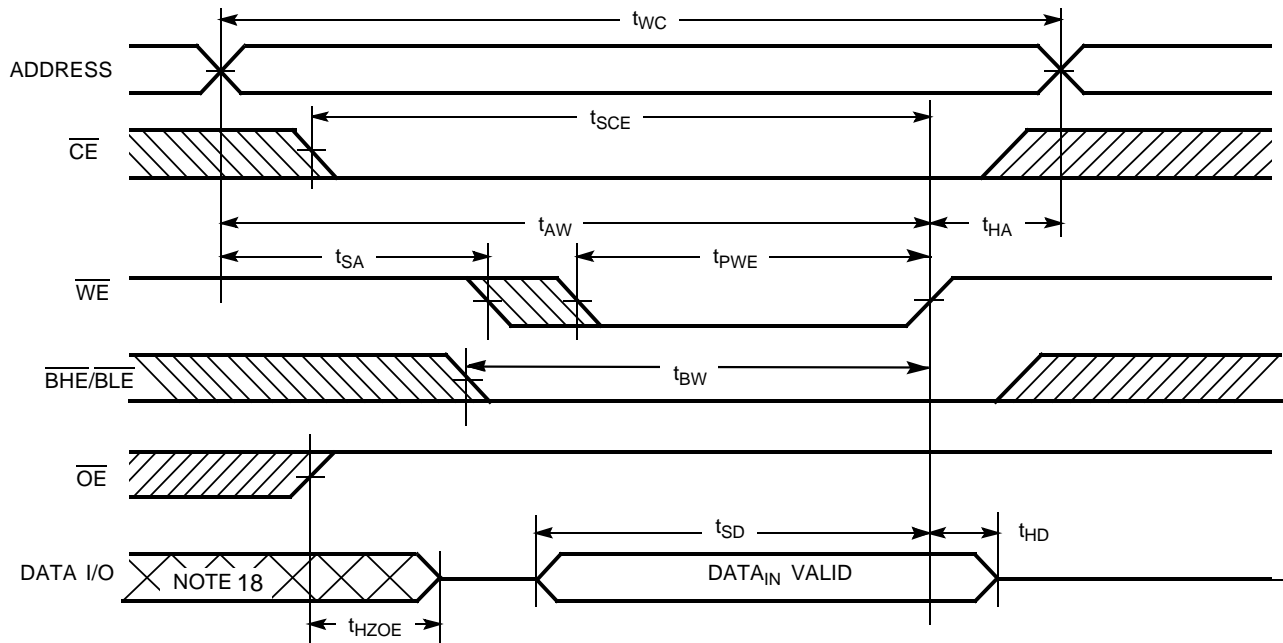
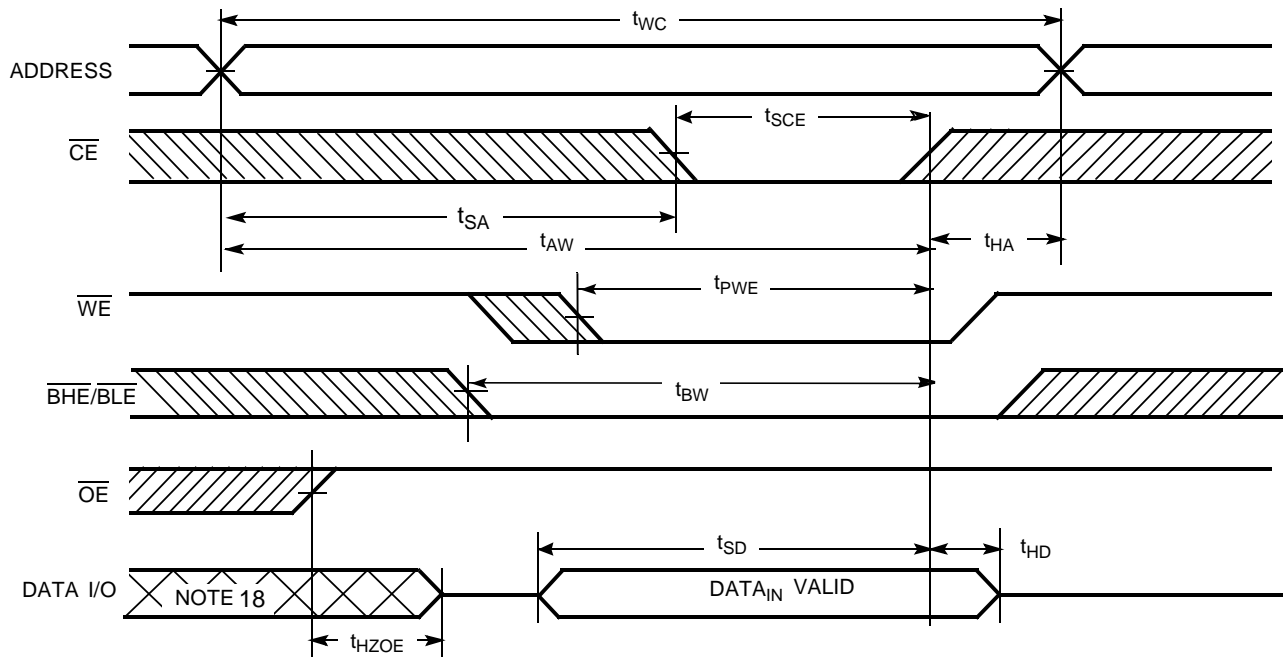
- Full Device AC operation requires linear V_{CC} ramp from V_{DR} to V_{CC(min.)} > 100 μs or stable at V_{CC(min.)} > 100 μs.
- BHE, BLE is the AND of both BHE and BLE. Chip can be deselected by either disabling the chip enable signals or by disabling both BHE and BLE.
- Test conditions assume signal transition time of 5 ns or less, timing reference levels of V_{CC(typ.)}/2, input pulse levels of 0 to V_{CC(typ.)}, and output loading of the specified I_{OL}/I_{OH} and 30-pF load capacitance.
- At any given temperature and voltage condition, t_{HZCE} is less than t_{LZCE}, t_{HZBE} is less than t_{LZBE}, t_{HZOE} is less than t_{LZOE}, and t_{HZWE} is less than t_{LZWE} for any given device.
- If both byte enables are toggled together this value is 10 ns.
- t_{HZOE}, t_{HZCE}, t_{HZBE}, and t_{HZWE} transitions are measured when the outputs enter a high impedance state.
- The internal write time of the memory is defined by the overlap of WE, CE = V_{IL}, BHE and/or BLE = V_{IL}. All signals must be ACTIVE to initiate a write and any of these signals can terminate a write by going INACTIVE. The data input set-up and hold timing should be referenced to the edge of the signal that terminates the write.

Switching Characteristics Over the Operating Range (continued)^[8]

Parameter	Description	55 ns		70 ns		Unit
		Min.	Max.	Min.	Max.	
t_{AW}	Address Set-Up to Write End	45		60		ns
t_{HA}	Address Hold from Write End	0		0		ns
t_{SA}	Address Set-Up to Write Start	0		0		ns
t_{PWE}	WE Pulse Width	40		50		ns
t_{BW}	BHE / BLE Pulse Width	45		60		ns
t_{SD}	Data Set-Up to Write End	25		30		ns
t_{HD}	Data Hold from Write End	0		0		ns
t_{HZWE}	WE LOW to High Z ^[9, 11]		25		25	ns
t_{LZWE}	WE HIGH to Low Z ^[9]	5		5		ns

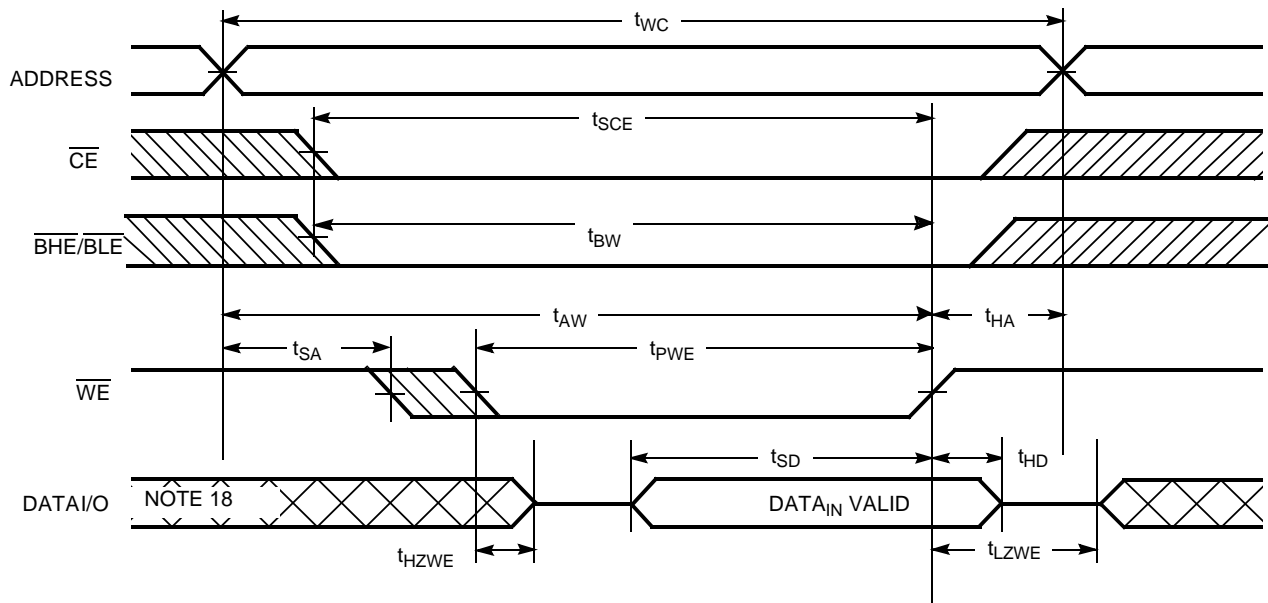
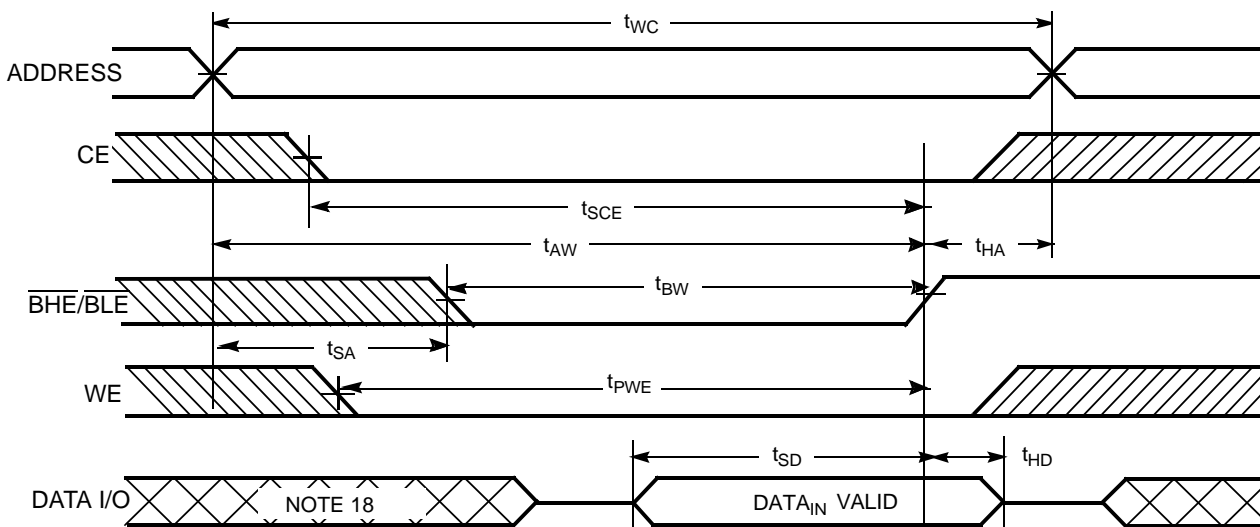
Switching Waveforms
Read Cycle No. 1 (Address Transition Controlled)^[13, 14]

Read Cycle No. 2 (\overline{OE} Controlled)^[14, 15]

Notes:

13. Device is continuously selected. \overline{OE} , $\overline{CE} = V_{IL}$, \overline{BHE} , $\overline{BLE} = V_{IL}$.
14. \overline{WE} is HIGH for read cycle.
15. Address valid prior to or coincident with \overline{CE} , \overline{BHE} , \overline{BLE} transition LOW.

Switching Waveforms (continued)
Write Cycle No. 1 ($\overline{\text{WE}}$ Controlled) ^[12, 16, 17]

Write Cycle No. 2 ($\overline{\text{CE}}$ Controlled) ^[12, 16, 17]

Notes:

16. Data I/O is high-impedance if $\overline{\text{OE}} = V_{\text{IH}}$.
17. If $\overline{\text{CE}}$ goes HIGH simultaneously with $\overline{\text{WE}}$ HIGH, the output remains in a high-impedance state.
18. During this period, the I/Os are in output state and input signals should not be applied.

Switching Waveforms (continued)

Write Cycle No. 3 (\overline{WE} Controlled, \overline{OE} LOW)^[17]

Write Cycle No. 4 ($\overline{BHE/BLE}$ Controlled, \overline{OE} LOW)^[17]

Truth Table

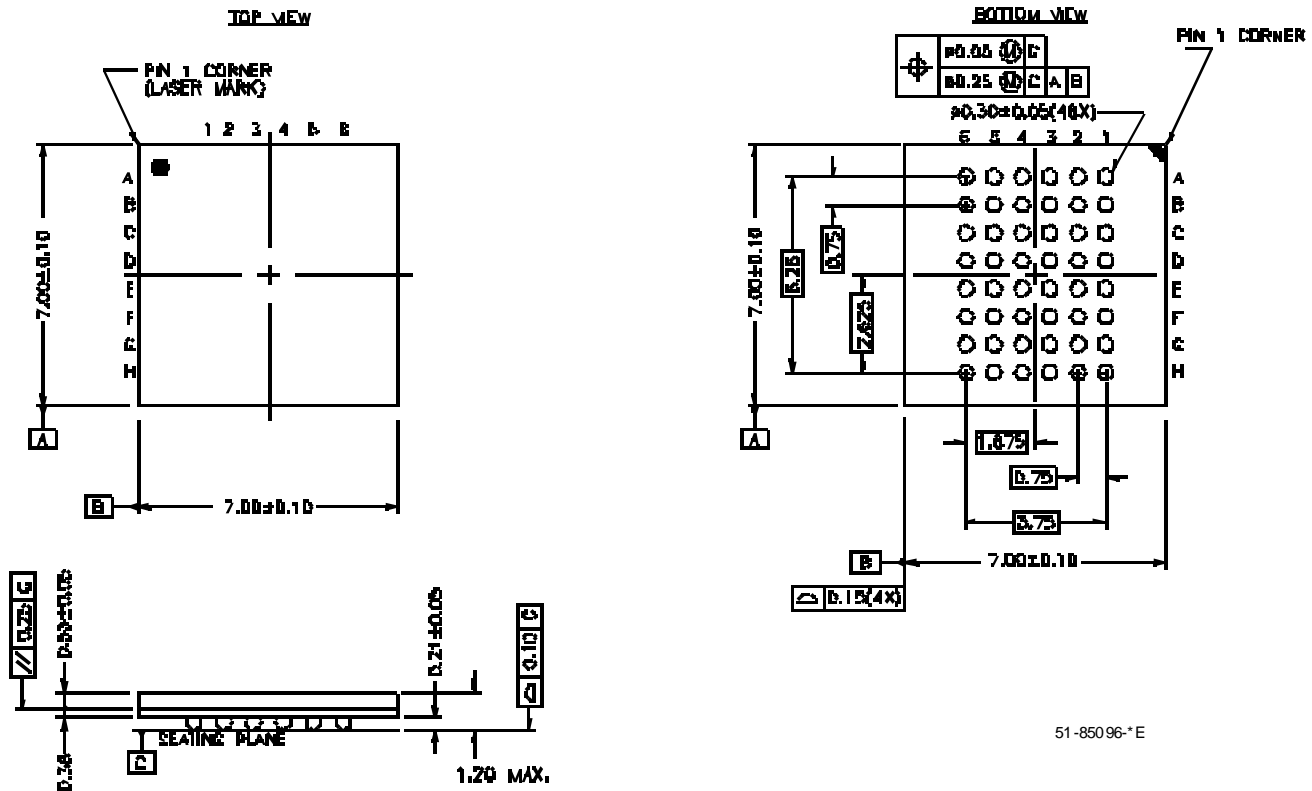
CE	WE	OE	BHE	BLE	Inputs/Outputs	Mode	Power
H	X	X	X	X	High Z	Deselect/Power-Down	Standby (I_{SB})
X	X	X	H	H	High Z	Deselect/Power-Down	Standby (I_{SB})
L	H	L	L	L	Data Out (I/O_0 - I/O_{15})	Read	Active (I_{CC})
L	H	L	H	L	Data Out (I/O_0 - I/O_7); I/O_8 - I/O_{15} in High Z	Read	Active (I_{CC})
L	H	L	L	H	Data Out (I/O_8 - I/O_{15}); I/O_0 - I/O_7 in High Z	Read	Active (I_{CC})
L	H	H	L	L	High Z	Output Disabled	Active (I_{CC})
L	H	H	H	L	High Z	Output Disabled	Active (I_{CC})

Truth Table (continued)

CE	WE	OE	BHE	BLE	Inputs/Outputs	Mode	Power
L	H	H	L	H	High Z	Output Disabled	Active (I _{CC})
L	L	X	L	L	Data In (I/O ₀ -I/O ₁₅)	Write	Active (I _{CC})
L	L	X	H	L	Data In (I/O ₀ -I/O ₇)	Write Lower Byte Only	Active (I _{CC})
L	L	X	L	H	Data In (I/O ₈ -I/O ₁₅)	Write Upper Byte Only	Active (I _{CC})

Ordering Information

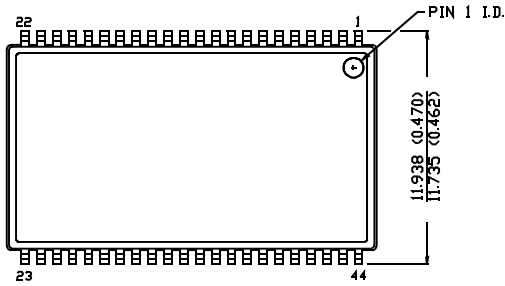
Speed (ns)	Ordering Code	Package Name	Package Type	Operating Range
55	CY62127BVLL-55ZI	Z44	44-lead TSOP II	Industrial
70	CY62127BVLL-70ZI			
	CY62127BVLL-70BAI	BA48A	48-ball Fine Pitch BGA (7 mm x 7 mm x 1.2 mm)	
	CY62127BVLL-70BVI	BV48A	48-ball Fine Pitch BGA (6 mm x 8 mm x 1 mm)	

Package Diagrams
48-Ball (7.00 mm x 7.00 mm x 1.2 mm) FBGA BA48A


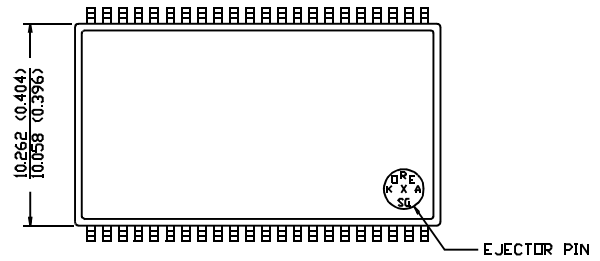
Package Diagrams (continued)

44-pin TSOP II Z44

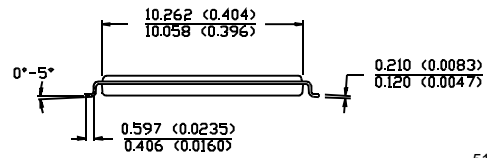
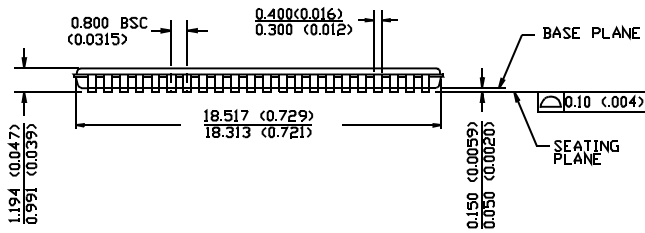
DIMENSION IN MM (INCH)
MAX
MIN



TOP VIEW

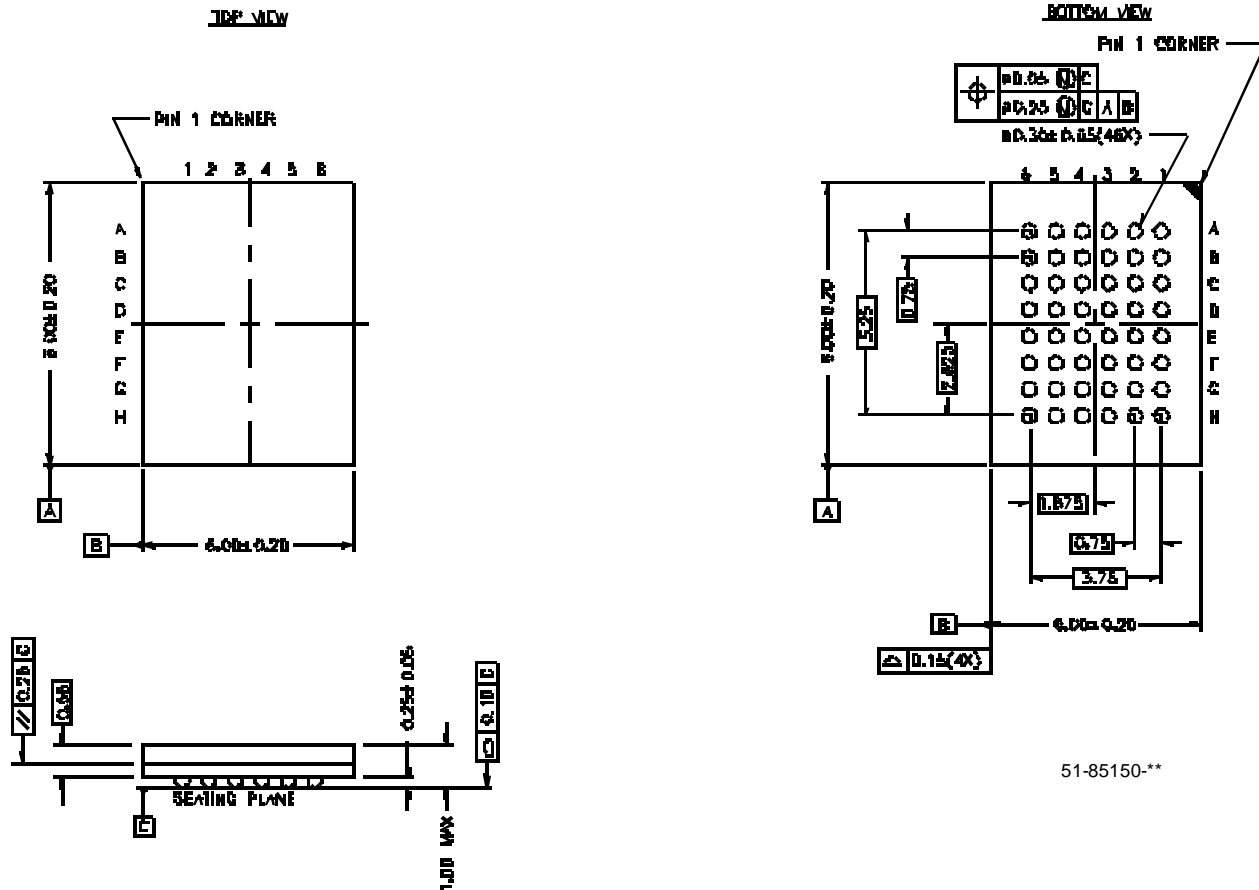


BOTTOM VIEW



51-85087-A

Package Diagrams (continued)

48-Lead VFBGA (6 x 8 x 1 mm) BV48A


MoBL is a registered trademark, and More Battery Life is a trademark, of Cypress Semiconductor. All products and company names mentioned in this document may be trademarks of their respective holders.

Document Title: CY62127BV MoBL [®] 1M (64K x 16) Static RAM				
Document Number: 38-05155				
REV.	ECN NO.	Issue Date	Orig. of Change	Description of Change
**	109899	10/02/01	SZV	Change from Spec number: 38-01018 to 38-05155
*A	113307	03/01/02	MGN	Format standardization & update ordering information
*B	116362	09/04/02	GBI	Add footnote 1 and BV Package.