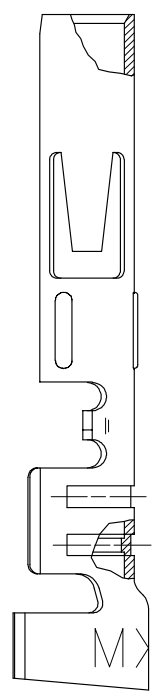
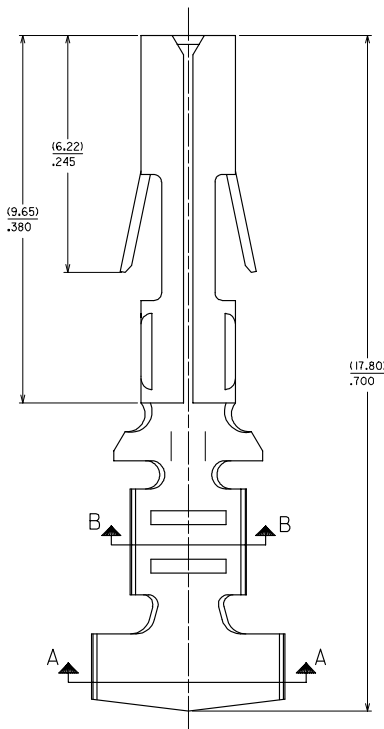
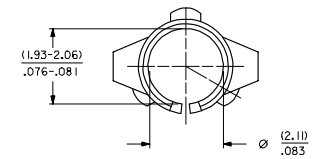
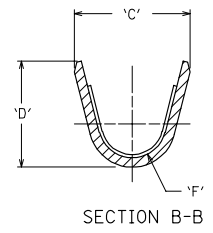
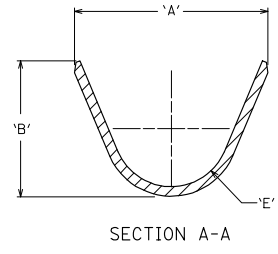


EDP NO.	ENG NO.	FORM	'A'	'B'	'C'	'D'	'E'	'F'
02-08-1201	8980-3C	CHAIN,14-20 AWG WIRE	(4,44)	(3,39)	(3,02)	(3,61)	(1,23)	(0,61)
02-08-1202	8980-3L	LOOSE,14-20 AWG WIRE	.175	.133	.119	.142	.048	.024



NOTES:  
 1. FINISH: (.00089)/.000035 MN. TIN OVER  
 (.00051)/.000020 MN COPPER (COPPER PLATE REFLOWED)  
 2. MATERIAL: (.025)/.010 THK PHOS  
 BRONZE, ALLOY CA 51000.



OBS060702 EC NO. S2007-0797 DRAWING: MEMARLY 2007/03/30 CHKD: SKANG 2007/04/03 APPR: HLONG 2007/04/03	QUALITY SYMBOLS	GENERAL TOLERANCES (UNLESS SPECIFIED) <table border="1"> <thead> <tr> <th></th> <th>mm</th> <th>INCH</th> </tr> </thead> <tbody> <tr> <td>4 PLACES</td> <td>± ---</td> <td>± ---</td> </tr> <tr> <td>3 PLACES</td> <td>± ---</td> <td>± .010</td> </tr> <tr> <td>2 PLACES</td> <td>± 0.25</td> <td>± ---</td> </tr> <tr> <td>1 PLACE</td> <td>± ---</td> <td>± ---</td> </tr> <tr> <td colspan="3">ANGULAR ± 1 °</td> </tr> </tbody> </table>		mm	INCH	4 PLACES	± ---	± ---	3 PLACES	± ---	± .010	2 PLACES	± 0.25	± ---	1 PLACE	± ---	± ---	ANGULAR ± 1 °			DIMENSION STYLE	SCALE	DESIGN UNITS	THIRD ANGLE PROJECTION
			mm	INCH																				
	4 PLACES		± ---	± ---																				
	3 PLACES		± ---	± .010																				
2 PLACES	± 0.25	± ---																						
1 PLACE	± ---	± ---																						
ANGULAR ± 1 °																								
DESCRIPTION	MM/IN	NTS	METRIC	TITLE: TERMINAL SOCKET DIA. (2.096)/.0825																				
REV	DRAFT WHERE APPLICABLE MUST REMAIN WITHIN DIMENSIONS	DRAWN BY: TAY 1987/12/15 CHECKED BY: AT 1987/12/15 APPROVED BY: AB 1987/12/15	MATERIAL NO. SEE TABLE	MOLEX INCORPORATED DOCUMENT NO. SD-8980-3*	SHEET NO. 1 OF 1																			
		SIZE: A3 THIS DRAWING CONTAINS INFORMATION THAT IS PROPRIETARY TO MOLEX INCORPORATED AND SHOULD NOT BE USED WITHOUT WRITTEN PERMISSION																						