

# LH28F400BVHE-BL85

## 4M Flash Memory

(Model No.: LHF40V13)

Spec No.: EL106160

Issue Date: August 3, 1998

- Handle this document carefully for it contains material protected by international copyright law. Any reproduction, full or in part, of this material is prohibited without the express written permission of the company.
- When using the products covered herein, please observe the conditions written herein and the precautions outlined in the following paragraphs. In no event shall the company be liable for any damages resulting from failure to strictly adhere to these conditions and precautions.
  - (1) The products covered herein are designed and manufactured for the following application areas. When using the products covered herein for the equipment listed in Paragraph (2), even for the following application areas, be sure to observe the precautions given in Paragraph (2). Never use the products for the equipment listed in Paragraph (3).
    - Office electronics
    - Instrumentation and measuring equipment
    - Machine tools
    - Audiovisual equipment
    - Home appliance
    - Communication equipment other than for trunk lines
  - (2) Those contemplating using the products covered herein for the following equipment which demands high reliability, should first contact a sales representative of the company and then accept responsibility for incorporating into the design fail-safe operation, redundancy, and other appropriate measures for ensuring reliability and safety of the equipment and the overall system.
    - Control and safety devices for airplanes, trains, automobiles, and other transportation equipment
    - Mainframe computers
    - Traffic control systems
    - Gas leak detectors and automatic cutoff devices
    - Rescue and security equipment
    - Other safety devices and safety equipment, etc.
  - (3) Do not use the products covered herein for the following equipment which demands extremely high performance in terms of functionality, reliability, or accuracy.
    - Aerospace equipment
    - Communications equipment for trunk lines
    - Control equipment for the nuclear power industry
    - Medical equipment related to life support, etc.
  - (4) Please direct all queries and comments regarding the interpretation of the above three Paragraphs to a sales representative of the company.
- Please direct all queries regarding the products covered herein to a sales representative of the company.

## CONTENTS

|                                                      | PAGE |                                                                | PAGE |
|------------------------------------------------------|------|----------------------------------------------------------------|------|
| 1 INTRODUCTION.....                                  | 3    | 5 DESIGN CONSIDERATIONS .....                                  | 20   |
| 1.1 Features .....                                   | 3    | 5.1 Three-Line Output Control .....                            | 20   |
| 1.2 Product Overview.....                            | 3    | 5.2 RY/BY# and Block Erase and Word/Byte Write<br>Polling..... | 20   |
| 2 PRINCIPLES OF OPERATION.....                       | 7    | 5.3 Power Supply Decoupling .....                              | 20   |
| 2.1 Data Protection .....                            | 7    | 5.4 $V_{PP}$ Trace on Printed Circuit Boards .....             | 20   |
| 3 BUS OPERATION .....                                | 8    | 5.5 $V_{CC}$ , $V_{PP}$ , RP# Transitions .....                | 21   |
| 3.1 Read.....                                        | 8    | 5.6 Power-Up/Down Protection.....                              | 21   |
| 3.2 Output Disable.....                              | 8    | 5.7 Power Dissipation .....                                    | 21   |
| 3.3 Standby.....                                     | 8    | 6 ELECTRICAL SPECIFICATIONS .....                              | 22   |
| 3.4 Deep Power-Down .....                            | 8    | 6.1 Absolute Maximum Ratings .....                             | 22   |
| 3.5 Read Identifier Codes Operation.....             | 9    | 6.2 Operating Conditions .....                                 | 22   |
| 3.6 Write.....                                       | 9    | 6.2.1 Capacitance .....                                        | 22   |
| 4 COMMAND DEFINITIONS.....                           | 9    | 6.2.2 AC Input/Output Test Conditions .....                    | 23   |
| 4.1 Read Array Command.....                          | 12   | 6.2.3 DC Characteristics .....                                 | 24   |
| 4.2 Read Identifier Codes Command .....              | 12   | 6.2.4 AC Characteristics - Read-Only Operations .....          | 26   |
| 4.3 Read Status Register Command .....               | 12   | 6.2.5 AC Characteristics - Write Operations .....              | 30   |
| 4.4 Clear Status Register Command.....               | 12   | 6.2.6 Alternative CE#-Controlled Writes.....                   | 34   |
| 4.5 Block Erase Command.....                         | 12   | 6.2.7 Reset Operations .....                                   | 38   |
| 4.6 Word/Byte Write Command.....                     | 13   | 6.2.8 Block Erase and Word/Byte Write Performance .....        | 39   |
| 4.7 Block Erase Suspend Command .....                | 13   | 7 PACKAGE AND PACKING SPECIFICATIONS.....                      | 41   |
| 4.8 Word/Byte Write Suspend Command .....            | 14   |                                                                |      |
| 4.9 Considerations of Suspend .....                  | 14   |                                                                |      |
| 4.10 Block Locking .....                             | 14   |                                                                |      |
| 4.10.1 $V_{PP}=V_{IL}$ for Complete Protection ..... | 14   |                                                                |      |
| 4.10.2 $WP#=V_{IL}$ for Block Locking.....           | 14   |                                                                |      |
| 4.10.3 $WP#=V_{IH}$ for Block Unlocking.....         | 14   |                                                                |      |

## LH28F400BVHE-BL85

### 4M-BIT (512Kbit × 8 / 256Kbit × 16)

### SmartVoltage Flash MEMORY

- SmartVoltage Technology
  - 2.7V, 3.3V or 5V  $V_{CC}$
  - 2.7V, 3.3V, 5V or 12V  $V_{PP}$
- User-Configurable ×8 or ×16 Operation
- High-Performance Access Time
  - 85ns(5V±0.25V), 90ns(5V±0.5V),
  - 100ns(3.3V±0.3V), 120ns(2.7V-3.6V)
- Operating Temperature
  - -40°C to +85°C
- Optimized Array Blocking Architecture
  - Two 4k-word Boot Blocks
  - Six 4k-word Parameter Blocks
  - Seven 32k-word Main Blocks
  - Bottom Boot Location
- Extended Cycling Capability
  - 100,000 Block Erase Cycles
- Enhanced Automated Suspend Options
  - Word/Byte Write Suspend to Read
  - Block Erase Suspend to Word/Byte Write
  - Block Erase Suspend to Read
- Enhanced Data Protection Features
  - Absolute Protection with  $V_{PP}=GND$
  - Block Erase and Word/Byte Write Lockout during Power Transitions
  - Boot Blocks Protection with  $WP\#=V_{IL}$
- Automated Word/Byte Write and Block Erase
  - Command User Interface
  - Status Register
- Low Power Management
  - Deep Power-Down Mode
  - Automatic Power Savings Mode Decreases  $I_{CC}$  in Static Mode
- SRAM-Compatible Write Interface
- Industry-Standard Packaging
  - 48-Lead TSOP
- ETOX™\* Nonvolatile Flash Technology
- CMOS Process (P-type silicon substrate)
- Not designed or rated as radiation hardened

SHARP's LH28F400BVHE-BL85 Flash memory with SmartVoltage technology is a high-density, low-cost, nonvolatile, read/write storage solution for a wide range of applications. LH28F400BVHE-BL85 can operate at  $V_{CC}=2.7V$  and  $V_{PP}=2.7V$ . Its low voltage operation capability realize battery life and suits for cellular phone application.

Its Boot, Parameter and Main-blocked architecture, flexible voltage and extended cycling provide for highly flexible component suitable for portable terminals and personal computers. Its enhanced suspend capabilities provide for an ideal solution for code + data storage applications. For secure code storage applications, such as networking, where code is either directly executed out of flash or downloaded to DRAM, the LH28F400BVHE-BL85 offers two levels of protection: absolute protection with  $V_{PP}$  at GND, selective hardware boot block locking. These alternatives give designers ultimate control of their code security needs.

The LH28F400BVHE-BL85 is manufactured on SHARP's 0.35 $\mu$ m ETOX™\* process technology. It come in industry-standard package: the 48-lead TSOP ideal for board constrained applications.

\*ETOX is a trademark of Intel Corporation.

## 1 INTRODUCTION

This datasheet contains LH28F400BVHE-BL85 specifications. Section 1 provides a flash memory overview. Sections 2, 3, 4 and 5 describe the memory organization and functionality. Section 6 covers electrical specifications.

### 1.1 Features

Key enhancements of LH28F400BVHE-BL85 SmartVoltage Flash memory are:

- SmartVoltage Technology
- Enhanced Suspend Capabilities
- Boot Block Architecture

Please note following important differences:

- $V_{PPLK}$  has been lowered to 1.5V to support 2.7V, 3.3V and 5V block erase and word/byte write operations. Designs that switch  $V_{PP}$  off during read operations should make sure that the  $V_{PP}$  voltage transitions to GND.
- To take advantage of SmartVoltage technology, allow  $V_{CC}$  and  $V_{PP}$  connection to 2.7V, 3.3V or 5V.

### 1.2 Product Overview

The LH28F400BVHE-BL85 is a high-performance 4-Mbit SmartVoltage Flash memory organized as 512K-byte of 8 bits or 256K-word of 16 bits. The 512K-byte/256K-word of data is arranged in two 8K-byte/4K-word boot blocks, six 8K-byte/4K-word parameter blocks and seven 64K-byte/32K-word main blocks which are individually erasable in-system. The memory map is shown in Figure 3.

SmartVoltage technology provides a choice of  $V_{CC}$  and  $V_{PP}$  combinations, as shown in Table 1, to meet system performance and power expectations. 2.7V  $V_{CC}$  consumes approximately one-fifth the power of 5V  $V_{CC}$ . But, 5V

$V_{CC}$  provides the highest read performance.  $V_{PP}$  at 2.7, 3.3V and 5V eliminates the need for a separate 12V converter, while  $V_{PP}=12V$  maximizes block erase and word/byte write performance. In addition to flexible erase and program voltages, the dedicated  $V_{PP}$  pin gives complete data protection when  $V_{PP} \leq V_{PPLK}$ .

Table 1.  $V_{CC}$  and  $V_{PP}$  Voltage Combinations Offered by SmartVoltage Technology

| $V_{CC}$ Voltage | $V_{PP}$ Voltage    |
|------------------|---------------------|
| 2.7V             | 2.7V, 3.3V, 5V, 12V |
| 3.3V             | 3.3V, 5V, 12V       |
| 5V               | 5V, 12V             |

Internal  $V_{CC}$  and  $V_{PP}$  detection Circuitry automatically configures the device for optimized read and write operations.

A Command User Interface (CUI) serves as the interface between the system processor and internal operation of the device. A valid command sequence written to the CUI initiates device automation. An internal Write State Machine (WSM) automatically executes the algorithms and timings necessary for block erase and word/byte write operations.

A block erase operation erases one of the device's 32K-word blocks typically within 0.39s (5V  $V_{CC}$ , 12V  $V_{PP}$ ), 4K-word blocks typically within 0.25s (5V  $V_{CC}$ , 12V  $V_{PP}$ ) independent of other blocks. Each block can be independently erased 100,000 times. Block erase suspend mode allows system software to suspend block erase to read or write data from any other block.

Writing memory data is performed in word/byte increments of the device's 32K-word blocks typically within 8.4 $\mu$ s (5V  $V_{CC}$ , 12V  $V_{PP}$ ), 4K-word blocks typically within 17 $\mu$ s (5V  $V_{CC}$ , 12V  $V_{PP}$ ). Word/byte write suspend mode enables the system to read data or execute code from any other flash memory array location.

The boot blocks can be locked for the WP# pin. Block erase or word/byte write for boot block must not be carried out by WP# to Low and RP# to  $V_{IH}$ .

The status register indicates when the WSM's block erase or word/byte write operation is finished.

The RY/BY# output gives an additional indicator of WSM activity by providing both a hardware signal of status (versus software polling) and status masking (interrupt masking for background block erase, for example). Status polling using RY/BY# minimizes both CPU overhead and system power consumption. When low, RY/BY# indicates that the WSM is performing a block erase or word/byte write. RY/BY#-high indicates that the WSM is ready for a new command, block erase is suspended (and word/byte write is inactive), word/byte write is suspended, or the device is in deep power-down mode.

The access time is 85 ns ( $t_{AVQV}$ ) over the extended temperature range ( $-40^{\circ}\text{C}$  to  $+85^{\circ}\text{C}$ ) and  $V_{CC}$  supply voltage range of 4.75V-5.25V. At lower  $V_{CC}$  voltages, the

access times are 90 ns (4.5V-5.5V), 100 ns (3.0V-3.6V) and 120 ns (2.7V-3.6V).

The Automatic Power Savings (APS) feature substantially reduces active current when the device is in static mode (addresses not switching). In APS mode, the typical  $I_{CCR}$  current is 1 mA at 5V  $V_{CC}$ .

When CE# and RP# pins are at  $V_{CC}$ , the  $I_{CC}$  CMOS standby mode is enabled. When the RP# pin is at GND, deep power-down mode is enabled which minimizes power consumption and provides write protection during reset. A reset time ( $t_{PHQV}$ ) is required from RP# switching high until outputs are valid. Likewise, the device has a wake time ( $t_{PHEL}$ ) from RP#-high until writes to the CUI are recognized. With RP# at GND, the WSM is reset and the status register is cleared.

The device is available in 48-lead TSOP (Thin Small Outline Package, 1.2 mm thick). Pinout is shown in Figure 2.

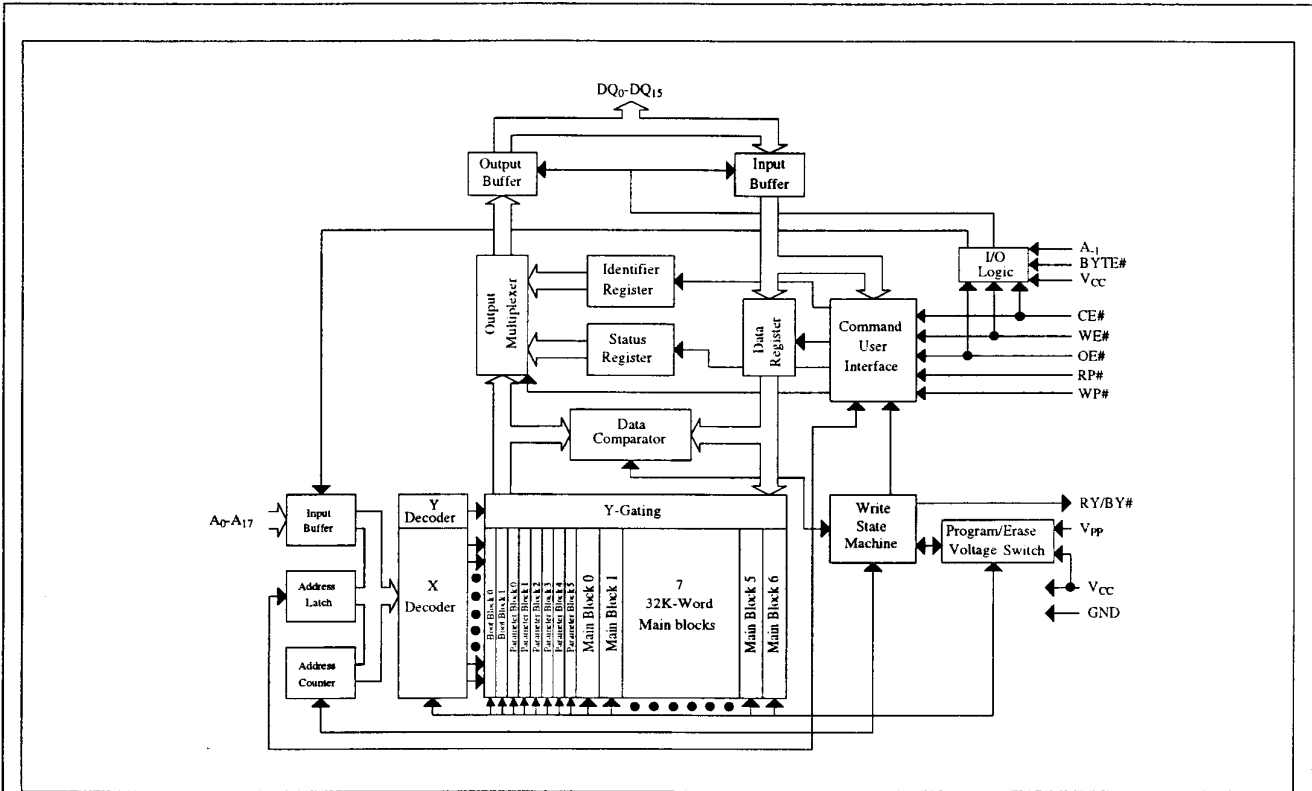


Figure 1. Block Diagram

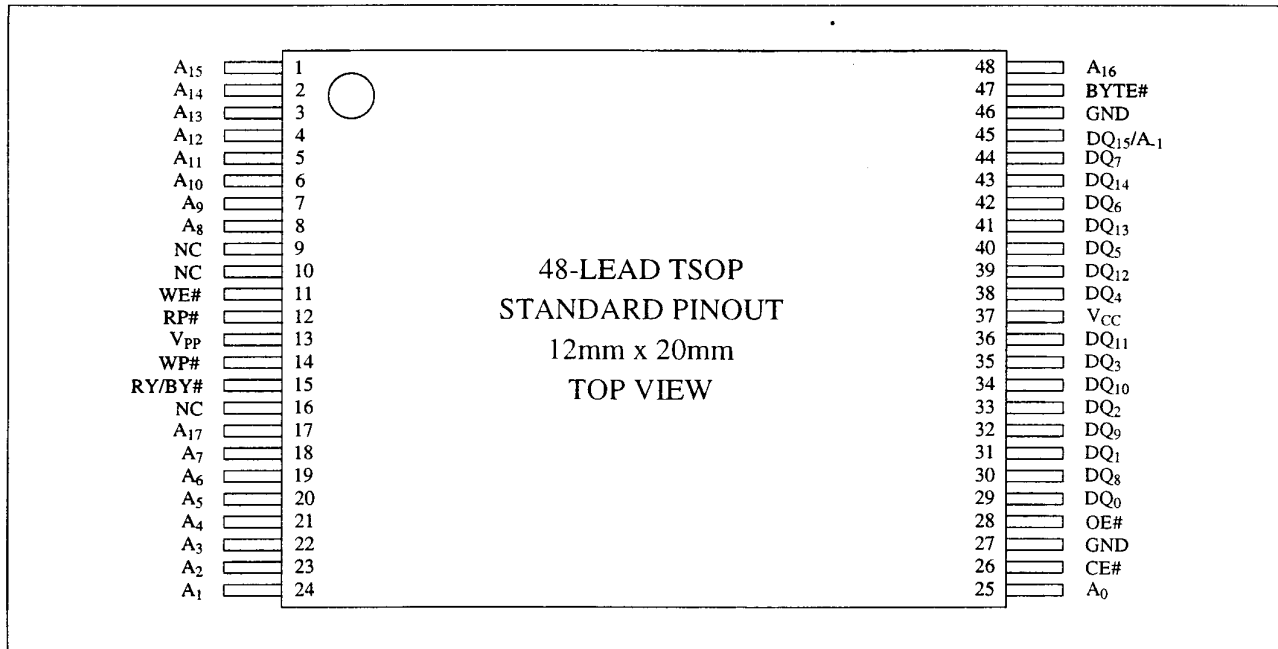


Figure 2. TSOP 48-Lead Pinout

Table 2. Pin Descriptions

| Symbol                                            | Type             | Name and Function                                                                                                                                                                                                                                                                                                                                                                                                                                                                                                                                                                                                                                                                                                               |
|---------------------------------------------------|------------------|---------------------------------------------------------------------------------------------------------------------------------------------------------------------------------------------------------------------------------------------------------------------------------------------------------------------------------------------------------------------------------------------------------------------------------------------------------------------------------------------------------------------------------------------------------------------------------------------------------------------------------------------------------------------------------------------------------------------------------|
| A <sub>1</sub><br>A <sub>0</sub> -A <sub>17</sub> | INPUT            | ADDRESS INPUTS: Addresses are internally latched during a write cycle.<br>A-1 : Byte Select Address. Not used in ×16 mode.<br>A <sub>0</sub> -A <sub>10</sub> : Row Address. Selects 1 of 2048 word lines.<br>A <sub>11</sub> -A <sub>14</sub> : Column Address. Selects 1 of 16 bit lines.<br>A <sub>15</sub> -A <sub>17</sub> : Main Block Address. (Boot and Parameter block Addresses are A <sub>12</sub> -A <sub>17</sub> .)                                                                                                                                                                                                                                                                                               |
| DQ <sub>0</sub> -DQ <sub>15</sub>                 | INPUT/<br>OUTPUT | DATA INPUT/OUTPUTS:<br>DQ <sub>0</sub> -DQ <sub>7</sub> :Inputs data and commands during CUI write cycles; outputs data during memory array, status register and identifier code read cycles. Data pins float to high-impedance when the chip is deselected or outputs are disabled. Data is internally latched during a write cycle.<br>DQ <sub>8</sub> -DQ <sub>15</sub> :Inputs data during CUI write cycles in ×16 mode; outputs data during memory array read cycles in ×16 mode; not used for status register and identifier code read mode. Data pins float to high-impedance when the chip is deselected, outputs are disabled. or in ×8 mode(Byte#=V <sub>IL</sub> ). Data is internally latched during a write cycle. |
| CE#                                               | INPUT            | CHIP ENABLE: Activates the device's control logic, input buffers, decoders and sense amplifiers. CE#-high deselected the device and reduces power consumption to standby levels.                                                                                                                                                                                                                                                                                                                                                                                                                                                                                                                                                |
| RP#                                               | INPUT            | RESET/DEEP POWER-DOWN: Puts the device in deep power-down mode and resets internal automation. RP#-high enables normal operation. When driven low, RP# inhibits write operations which provides data protection during power transitions. Exit from deep power-down sets the device to read array mode. With RP#=V <sub>HH</sub> , block erase or word/byte write can operate to all blocks without WP# state. Block erase or word/byte write with V <sub>IH</sub> <RP#<V <sub>HH</sub> produce spurious results and should not be attempted.                                                                                                                                                                                   |
| OE#                                               | INPUT            | OUTPUT ENABLE: Gates the device's outputs during a read cycle.                                                                                                                                                                                                                                                                                                                                                                                                                                                                                                                                                                                                                                                                  |
| WE#                                               | INPUT            | WRITE ENABLE: Controls writes to the CUI and array blocks. Addresses and data are latched on the rising edge of the WE# pulse.                                                                                                                                                                                                                                                                                                                                                                                                                                                                                                                                                                                                  |
| WP#                                               | INPUT            | WRITE PROTECT: Master control for boot blocks locking. When V <sub>IL</sub> , locked boot blocks cannot be erased and programmed.                                                                                                                                                                                                                                                                                                                                                                                                                                                                                                                                                                                               |
| BYTE#                                             | INPUT            | BYTE ENABLE: BYTE# V <sub>IL</sub> places device in ×8 mode. All data is then input or output on DQ <sub>0-7</sub> , and DQ <sub>8-15</sub> float. BYTE# V <sub>IH</sub> places the device in ×16 mode, and turns off the A <sub>1</sub> input buffer.                                                                                                                                                                                                                                                                                                                                                                                                                                                                          |
| RY/BY#                                            | OUTPUT           | READY/BUSY#: Indicates the status of the internal WSM. When low, the WSM is performing an internal operation (block erase or word/byte write). RY/BY#-high indicates that the WSM is ready for new commands, block erase is suspended, and word/byte write is inactive, word/byte write is suspended, or the device is in deep power-down mode. RY/BY# is always active and does not float when the chip is deselected or data outputs are disabled.                                                                                                                                                                                                                                                                            |
| V <sub>PP</sub>                                   | SUPPLY           | BLOCK ERASE AND WORD/BYTE WRITE POWER SUPPLY: For erasing array blocks or writing words/bytes. With V <sub>PP</sub> ≤V <sub>PPLK</sub> , memory contents cannot be altered. Block erase and word/byte write with an invalid V <sub>PP</sub> (see DC Characteristics) produce spurious results and should not be attempted.                                                                                                                                                                                                                                                                                                                                                                                                      |
| V <sub>CC</sub>                                   | SUPPLY           | DEVICE POWER SUPPLY: Internal detection configures the device for 2.7V, 3.3V or 5V operation. To switch from one voltage to another, ramp V <sub>CC</sub> down to GND and then ramp V <sub>CC</sub> to the new voltage. Do not float any power pins. With V <sub>CC</sub> ≤V <sub>LKO</sub> , all write attempts to the flash memory are inhibited. Device operations at invalid V <sub>CC</sub> voltage (see DC Characteristics) produce spurious results and should not be attempted.                                                                                                                                                                                                                                         |
| GND                                               | SUPPLY           | GROUND: Do not float any ground pins.                                                                                                                                                                                                                                                                                                                                                                                                                                                                                                                                                                                                                                                                                           |
| NC                                                |                  | NO CONNECT: Lead is not internal connected; it may be driven or floated.                                                                                                                                                                                                                                                                                                                                                                                                                                                                                                                                                                                                                                                        |



## 2 PRINCIPLES OF OPERATION

The LH28F400BVHE-BL85 SmartVoltage Flash memory includes an on-chip WSM to manage block erase and word/byte write functions. It allows for: 100% TTL-level control inputs, fixed power supplies during block erasure and word/byte write, and minimal processor overhead with RAM-like interface timings.

After initial device power-up or return from deep power-down mode (see Bus Operations), the device defaults to read array mode. Manipulation of external memory control pins allow array read, standby and output disable operations.

Status register and identifier codes can be accessed through the CUI independent of the  $V_{PP}$  voltage. High voltage on  $V_{PP}$  enables successful block erasure and word/byte writing. All functions associated with altering memory contents—block erase, word/byte write, status and identifier codes—are accessed via the CUI and verified through the status register.

Commands are written using standard microprocessor write timings. The CUI contents serve as input to the WSM, which controls the block erase and word/byte write. The internal algorithms are regulated by the WSM, including pulse repetition, internal verification and margining of data. Addresses and data are internally latch during write cycles. Writing the appropriate command outputs array data, accesses the identifier codes or outputs status register data.

Interface software that initiates and polls progress of block erase and word/byte write can be stored in any block. This code is copied to and executed from system RAM during flash memory updates. After successful completion, reads are again possible via the Read Array command. Block erase suspend allows system software to suspend a block erase to read/write data from/to blocks other than that which is suspend. Word/byte write suspend allows system software to suspend a word/byte write to read data from any other flash memory array location.

|       |                         |   |
|-------|-------------------------|---|
| 3FFFF | 32K-word Main Block     | 6 |
| 38000 | 32K-word Main Block     | 5 |
| 37FFF | 32K-word Main Block     | 5 |
| 30000 | 32K-word Main Block     | 4 |
| 2FFFF | 32K-word Main Block     | 4 |
| 28000 | 32K-word Main Block     | 3 |
| 27FFF | 32K-word Main Block     | 3 |
| 20000 | 32K-word Main Block     | 2 |
| 1FFFF | 32K-word Main Block     | 2 |
| 18000 | 32K-word Main Block     | 1 |
| 17FFF | 32K-word Main Block     | 1 |
| 10000 | 32K-word Main Block     | 0 |
| 0FFFF | 32K-word Main Block     | 0 |
| 08000 | 4K-word Parameter Block | 5 |
| 07FFF | 4K-word Parameter Block | 5 |
| 07000 | 4K-word Parameter Block | 4 |
| 06FFF | 4K-word Parameter Block | 4 |
| 06000 | 4K-word Parameter Block | 3 |
| 05FFF | 4K-word Parameter Block | 3 |
| 05000 | 4K-word Parameter Block | 2 |
| 04FFF | 4K-word Parameter Block | 2 |
| 04000 | 4K-word Parameter Block | 1 |
| 03FFF | 4K-word Parameter Block | 1 |
| 03000 | 4K-word Parameter Block | 0 |
| 02FFF | 4K-word Parameter Block | 0 |
| 02000 | 4K-word Boot Block      | 1 |
| 01FFF | 4K-word Boot Block      | 1 |
| 01000 | 4K-word Boot Block      | 0 |
| 00FFF | 4K-word Boot Block      | 0 |
| 00000 | 4K-word Boot Block      | 0 |

Figure 3. Memory Map

### 2.1 Data Protection

Depending on the application, the system designer may choose to make the  $V_{PP}$  power supply switchable (available only when memory block erases or word/byte writes are required) or hardwired to  $V_{PPH1/2/3}$ . The device accommodates either design practice and encourages optimization of the processor-memory interface.

When  $V_{PP} \leq V_{PPLK}$ , memory contents cannot be altered. The CUI, with two-step block erase or word/byte write command sequences, provides protection from unwanted operations even when high voltage is applied to  $V_{PP}$ . All write functions are disabled when  $V_{CC}$  is below the write lockout voltage  $V_{LKO}$  or when  $RP\#$  is at  $V_{IL}$ . The device's boot blocks locking capability for  $WP\#$  provides additional protection from inadvertent code or data alteration by block erase and word/byte write operations. Refer to Table 6 for write protection alternatives.

### 3 BUS OPERATION

The local CPU reads and writes flash memory in-system. All bus cycles to or from the flash memory conform to standard microprocessor bus cycles.

#### 3.1 Read

Information can be read from any block, identifier codes or status register independent of the  $V_{PP}$  voltage. RP# can be at either  $V_{IH}$  or  $V_{HH}$ .

The first task is to write the appropriate read mode command (Read Array, Read Identifier Codes or Read Status Register) to the CUI. Upon initial device power-up or after exit from deep power-down mode, the device automatically resets to read array mode. Six control pins dictate the data flow in and out of the component: CE#, OE#, WE#, RP#, WP# and BYTE#. CE# and OE# must be driven active to obtain data at the outputs. CE# is the device selection control, and when active enables the selected memory device. OE# is the data output (DQ<sub>0</sub>-DQ<sub>15</sub>) control and when active drives the selected memory data onto the I/O bus. WE# must be at  $V_{IH}$  and RP# must be at  $V_{IH}$  or  $V_{HH}$ . Figure 13, 14 illustrates read cycle.

#### 3.2 Output Disable

With OE# at a logic-high level ( $V_{IH}$ ), the device outputs are disabled. Output pins (DQ<sub>0</sub>-DQ<sub>15</sub>) are placed in a high-impedance state.

#### 3.3 Standby

CE# at a logic-high level ( $V_{IH}$ ) places the device in standby mode which substantially reduces device power consumption. DQ<sub>0</sub>-DQ<sub>15</sub> outputs are placed in a high-impedance state independent of OE#. If deselected during

block erase or word/byte write, the device continues functioning, and consuming active power until the operation completes.

#### 3.4 Deep Power-Down

RP# at  $V_{IL}$  initiates the deep power-down mode.

In read modes, RP#-low deselects the memory, places output drivers in a high-impedance state and turns off all internal circuits. RP# must be held low for a minimum of 100 ns. Time  $t_{PHQV}$  is required after return from power-down until initial memory access outputs are valid. After this wake-up interval, normal operation is restored. The CUI is reset to read array mode and status register is set to 80H.

During block erase or word/byte write modes, RP#-low will abort the operation. RY/BY# remains low until the reset operation is complete. Memory contents being altered are no longer valid; the data may be partially erased or written. Time  $t_{PHWL}$  is required after RP# goes to logic-high ( $V_{IH}$ ) before another command can be written.

As with any automated device, it is important to assert RP# during system reset. When the system comes out of reset, it expects to read from the flash memory. Automated flash memories provide status information when accessed during block erase or word/byte write modes. If a CPU reset occurs with no flash memory reset, proper CPU initialization may not occur because the flash memory may be providing status information instead of array data. SHARP's flash memories allow proper CPU initialization following a system reset through the use of the RP# input. In this application, RP# is controlled by the same RESET# signal that resets the system CPU.

### 3.5 Read Identifier Codes Operation

The read identifier codes operation outputs the manufacturer code and device code (see Figure 4). Using the manufacturer and device codes, the system CPU can automatically match the device with its proper algorithms.

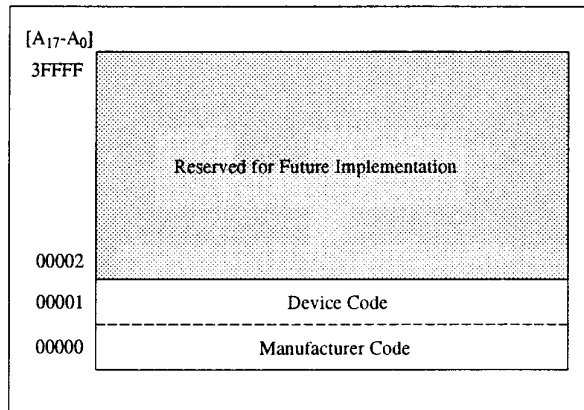


Figure 4. Device Identifier Code Memory Map

### 3.6 Write

Writing commands to the CUI enable reading of device data and identifier codes. They also control inspection and

clearing of the status register. When  $V_{CC}=V_{CC1/2/3/4}$  and  $V_{PP}=V_{PPH1/2/3}$ , the CUI additionally controls block erasure and word/byte write.

The Block Erase command requires appropriate command data and an address within the block to be erased. The Word/Byte Write command requires the command and address of the location to be written.

The CUI does not occupy an addressable memory location. It is written when WE# and CE# are active. The address and data needed to execute a command are latched on the rising edge of WE# or CE# (whichever goes high first). Standard microprocessor write timings are used. Figures 15 and 16 illustrate WE# and CE# controlled write operations.

## 4 COMMAND DEFINITIONS

When the  $V_{PP}$  voltage  $\leq V_{PPLK}$ , Read operations from the status register, identifier codes, or blocks are enabled. Placing  $V_{PPH1/2/3}$  on  $V_{PP}$  enables successful block erase and word/byte write operations.

Device operations are selected by writing specific commands into the CUI. Table 4 defines these commands.

Table 3.1. Bus Operations(BYTE#=V<sub>IH</sub>)<sup>(1,2)</sup>

| Mode                  | Notes | RP#                                | CE#             | OE#             | WE#             | Address      | V <sub>PP</sub> | DQ <sub>0-15</sub> | RY/BY# <sup>(3)</sup> |
|-----------------------|-------|------------------------------------|-----------------|-----------------|-----------------|--------------|-----------------|--------------------|-----------------------|
| Read                  | 8     | V <sub>IH</sub> or V <sub>HH</sub> | V <sub>IL</sub> | V <sub>IL</sub> | V <sub>IH</sub> | X            | X               | D <sub>OUT</sub>   | X                     |
| Output Disable        |       | V <sub>IH</sub> or V <sub>HH</sub> | V <sub>IL</sub> | V <sub>IH</sub> | V <sub>IH</sub> | X            | X               | High Z             | X                     |
| Standby               | 10    | V <sub>IH</sub> or V <sub>HH</sub> | V <sub>IH</sub> | X               | X               | X            | X               | High Z             | X                     |
| Deep Power-Down       | 4,10  | V <sub>IL</sub>                    | X               | X               | X               | X            | X               | High Z             | V <sub>OH</sub>       |
| Read Identifier Codes | 8     | V <sub>IH</sub> or V <sub>HH</sub> | V <sub>IL</sub> | V <sub>IL</sub> | V <sub>IH</sub> | See Figure 4 | X               | Note 5             | V <sub>OH</sub>       |
| Write                 | 6,7,8 | V <sub>IH</sub> or V <sub>HH</sub> | V <sub>IL</sub> | V <sub>IH</sub> | V <sub>IL</sub> | X            | X               | D <sub>IN</sub>    | X                     |

Table 3.2. Bus Operations(BYTE#=V<sub>IL</sub>)<sup>(1,2)</sup>

| Mode                  | Notes | RP#                                | CE#             | OE#             | WE#             | Address      | V <sub>PP</sub> | DQ <sub>0-7</sub> | DQ <sub>8-15</sub> | RY/BY# <sup>(3)</sup> |
|-----------------------|-------|------------------------------------|-----------------|-----------------|-----------------|--------------|-----------------|-------------------|--------------------|-----------------------|
| Read                  | 8     | V <sub>IH</sub> or V <sub>HH</sub> | V <sub>IL</sub> | V <sub>IL</sub> | V <sub>IH</sub> | X            | X               | D <sub>OUT</sub>  | High Z             | X                     |
| Output Disable        |       | V <sub>IH</sub> or V <sub>HH</sub> | V <sub>IL</sub> | V <sub>IH</sub> | V <sub>IH</sub> | X            | X               | High Z            | High Z             | X                     |
| Standby               | 10    | V <sub>IH</sub> or V <sub>HH</sub> | V <sub>IH</sub> | X               | X               | X            | X               | High Z            | High Z             | X                     |
| Deep Power-Down       | 4,10  | V <sub>IL</sub>                    | X               | X               | X               | X            | X               | High Z            | High Z             | V <sub>OH</sub>       |
| Read Identifier Codes | 8,9   | V <sub>IH</sub> or V <sub>HH</sub> | V <sub>IL</sub> | V <sub>IL</sub> | V <sub>IH</sub> | See Figure 4 | X               | Note 5            | High Z             | V <sub>OH</sub>       |
| Write                 | 6,7,8 | V <sub>IH</sub> or V <sub>HH</sub> | V <sub>IL</sub> | V <sub>IH</sub> | V <sub>IL</sub> | X            | X               | D <sub>IN</sub>   | X                  | X                     |

NOTES:

1. Refer to DC Characteristics. When V<sub>PP</sub> ≤ V<sub>PPLK</sub>, memory contents can be read, but not altered.
2. X can be V<sub>IL</sub> or V<sub>IH</sub> for control pins and addresses, and V<sub>PPLK</sub> or V<sub>PPH1/2/3</sub> for V<sub>PP</sub>. See DC Characteristics for V<sub>PPLK</sub> and V<sub>PPH1/2/3</sub> voltages.
3. RY/BY# is V<sub>OL</sub> when the WSM is executing internal block erase or word/byte write algorithms. It is V<sub>OH</sub> during when the WSM is not busy, in block erase suspend mode (with word/byte write inactive), word/byte write suspend mode or deep power-down mode.
4. RP# at GND ± 0.2V ensures the lowest deep power-down current.
5. See Section 4.2 for read identifier code data.
6. Command writes involving block erase or word/byte write are reliably executed when V<sub>PP</sub> = V<sub>PPH1/2/3</sub> and V<sub>CC</sub> = V<sub>CC1/2/3/4</sub>. Block erase or word/byte write with V<sub>IH</sub> < RP# < V<sub>HH</sub> produce spurious results and should not be attempted.
7. Refer to Table 4 for valid D<sub>IN</sub> during a write operation.
8. Never hold OE# low and WE# low at the same timing.
9. A<sub>-1</sub> set to V<sub>IL</sub> or V<sub>IH</sub> in byte mode (BYTE# = V<sub>IL</sub>).
10. WP# set to V<sub>IL</sub> or V<sub>IH</sub>.

Table 4. Command Definitions<sup>(7)</sup>

| Command                                    | Bus Cycles<br>Req'd. | Notes | First Bus Cycle     |                     |                     | Second Bus Cycle    |                     |                     |
|--------------------------------------------|----------------------|-------|---------------------|---------------------|---------------------|---------------------|---------------------|---------------------|
|                                            |                      |       | Oper <sup>(1)</sup> | Addr <sup>(2)</sup> | Data <sup>(3)</sup> | Oper <sup>(1)</sup> | Addr <sup>(2)</sup> | Data <sup>(3)</sup> |
| Read Array/Reset                           | 1                    |       | Write               | X                   | FFH                 |                     |                     |                     |
| Read Identifier Codes                      | ≥2                   | 4     | Write               | X                   | 90H                 | Read                | IA                  | ID                  |
| Read Status Register                       | 2                    |       | Write               | X                   | 70H                 | Read                | X                   | SRD                 |
| Clear Status Register                      | 1                    |       | Write               | X                   | 50H                 |                     |                     |                     |
| Block Erase                                | 2                    | 5     | Write               | BA                  | 20H                 | Write               | BA                  | D0H                 |
| Word/Byte Write                            | 2                    | 5,6   | Write               | WA                  | 40H or<br>10H       | Write               | WA                  | WD                  |
| Block Erase and Word/Byte<br>Write Suspend | 1                    | 5     | Write               | X                   | B0H                 |                     |                     |                     |
| Block Erase and Word/Byte<br>Write Resume  | 1                    | 5     | Write               | X                   | D0H                 |                     |                     |                     |

## NOTES:

- BUS operations are defined in Table 3.1 and Table 3.2.
- X=Any valid address within the device.  
IA=Identifier Code Address: see Figure 4. A<sub>-1</sub> set to V<sub>IL</sub> or V<sub>IH</sub> in Byte Mode (BYTE#=V<sub>IL</sub>).  
BA=Address within the block being erased. The each block can select by the address pin A<sub>17</sub> through A<sub>12</sub> combination.  
WA=Address of memory location to be written.
- SRD=Data read from status register. See Table 7 for a description of the status register bits.  
WD=Data to be written at location WA. Data is latched on the rising edge of WE# or CE# (whichever goes high first).  
ID=Data read from identifier codes.
- Following the Read Identifier Codes command, read operations access manufacturer and device codes. See Section 4.2 for read identifier code data.
- If the block is boot block, WP# must be at V<sub>IH</sub> or RP# must be at V<sub>IH</sub> to enable block erase or word/byte write operations. Attempts to issue a block erase or word/byte write to a boot block while WP# is V<sub>IH</sub> or RP# is V<sub>IH</sub>.
- Either 40H or 10H are recognized by the WSM as the word/byte write setup.
- Commands other than those shown above are reserved by SHARP for future device implementations and should not be used.

#### 4.1 Read Array Command

Upon initial device power-up and after exit from deep power-down mode, the device defaults to read array mode. This operation is also initiated by writing the Read Array command. The device remains enabled for reads until another command is written. Once the internal WSM has started a block erase or word/byte write, the device will not recognize the Read Array command until the WSM completes its operation unless the WSM is suspended via an Erase Suspend or Word/Byte Write Suspend command. The Read Array command functions independently of the  $V_{PP}$  voltage and RP# can be  $V_{IH}$  or  $V_{HH}$ .

#### 4.2 Read Identifier Codes Command

The identifier code operation is initiated by writing the Read Identifier Codes command. Following the command write, read cycles from addresses shown in Figure 4 retrieve the manufacturer and device codes (see Table 5 for identifier code values). To terminate the operation, write another valid command. Like the Read Array command, the Read Identifier Codes command functions independently of the  $V_{PP}$  voltage and RP# can be  $V_{IH}$  or  $V_{HH}$ . Following the Read Identifier Codes command, the following information can be read:

Table 5. Identifier Codes

| Code             | Address<br>[A <sub>17</sub> -A <sub>0</sub> ] | Data<br>[DQ <sub>7</sub> -DQ <sub>0</sub> ] |
|------------------|-----------------------------------------------|---------------------------------------------|
| Manufacture Code | 00000H                                        | B0H                                         |
| Device Code      | 00001H                                        | 5AH                                         |

#### 4.3 Read Status Register Command

The status register may be read to determine when a block erase or word/byte write is complete and whether the operation completed successfully. It may be read at any time by writing the Read Status Register command. After writing this command, all subsequent read operations output data from the status register until another valid command is written. The status register contents are latched on the falling edge of OE# or CE#, whichever occurs. OE# or CE# must toggle to  $V_{IH}$  before further reads to update the status register latch. The Read Status Register command functions independently of the  $V_{PP}$  voltage. RP# can be  $V_{IH}$  or  $V_{HH}$ .

#### 4.4 Clear Status Register Command

Status register bits SR.5, SR.4, SR.3 or SR.1 are set to "1"s by the WSM and can only be reset by the Clear Status

Register command. These bits indicate various failure conditions (see Table 7). By allowing system software to reset these bits, several operations (such as cumulatively erasing multiple blocks or writing several words/bytes in sequence) may be performed. The status register may be polled to determine if an error occurred during the sequence.

To clear the status register, the Clear Status Register command (50H) is written. It functions independently of the applied  $V_{PP}$  Voltage. RP# can be  $V_{IH}$  or  $V_{HH}$ . This command is not functional during block erase or word/byte write suspend modes.

#### 4.5 Block Erase Command

Erase is executed one block at a time and initiated by a two-cycle command. A block erase setup is first written, followed by an block erase confirm. This command sequence requires appropriate sequencing and an address within the block to be erased (erase changes all block data to FFFFH). Block preconditioning, erase, and verify are handled internally by the WSM (invisible to the system). After the two-cycle block erase sequence is written, the device automatically outputs status register data when read (see Figure 5). The CPU can detect block erase completion by analyzing the output data of the RY/BY# pin or status register bit SR.7.

When the block erase is complete, status register bit SR.5 should be checked. If a block erase error is detected, the status register should be cleared before system software attempts corrective actions. The CUI remains in read status register mode until a new command is issued.

This two-step command sequence of set-up followed by execution ensures that block contents are not accidentally erased. An invalid Block Erase command sequence will result in both status register bits SR.4 and SR.5 being set to "1". Also, reliable block erasure can only occur when  $V_{CC}=V_{CC1/2/3/4}$  and  $V_{PP}=V_{PPH1/2/3}$ . In the absence of this high voltage, block contents are protected against erasure. If block erase is attempted while  $V_{PP} \leq V_{PPLK}$ , SR.3 and SR.5 will be set to "1". Successful block erase for boot blocks requires that the corresponding if set, that WP#= $V_{IH}$  or RP#= $V_{HH}$ . If block erase is attempted to boot block when the corresponding WP#= $V_{IL}$  or RP#= $V_{IH}$ , SR.1 and SR.5 will be set to "1". Block erase operations with  $V_{IH} < RP# < V_{HH}$  produce spurious results and should not be attempted.

#### 4.6 Word/Byte Write Command

Word/byte write is executed by a two-cycle command sequence. Word/byte write setup (standard 40H or alternate 10H) is written, followed by a second write that specifies the address and data (latched on the rising edge of WE#). The WSM then takes over, controlling the word/byte write and write verify algorithms internally. After the word/byte write sequence is written, the device automatically outputs status register data when read (see Figure 6). The CPU can detect the completion of the word/byte write event by analyzing the RY/BY# pin or status register bit SR.7.

When word/byte write is complete, status register bit SR.4 should be checked. If word/byte write error is detected, the status register should be cleared. The internal WSM verify only detects errors for "1"s that do not successfully write to "0"s. The CUI remains in read status register mode until it receives another command.

Reliable word/byte writes can only occur when  $V_{CC}=V_{CC1/2/3/4}$  and  $V_{PP}=V_{PPH1/2/3}$ . In the absence of this high voltage, memory contents are protected against word/byte writes. If word/byte write is attempted while  $V_{PP} \leq V_{PPLK}$ , status register bits SR.3 and SR.4 will be set to "1". Successful word/byte write for boot blocks requires that the corresponding if set, that  $WP#=V_{IH}$  or  $RP#=V_{HH}$ . If word/byte write is attempted to boot block when the corresponding  $WP#=V_{IL}$  or  $RP#=V_{IH}$ , SR.1 and SR.4 will be set to "1". Word/byte write operations with  $V_{IH} < RP# < V_{HH}$  produce spurious results and should not be attempted.

#### 4.7 Block Erase Suspend Command

The Block Erase Suspend command allows block-erase interruption to read or word/byte write data in another block of memory. Once the block-erase process starts,

writing the Block Erase Suspend command requests that the WSM suspend the block erase sequence at a predetermined point in the algorithm. The device outputs status register data when read after the Block Erase Suspend command is written. Polling status register bits SR.7 and SR.6 can determine when the block erase operation has been suspended (both will be set to "1"). RY/BY# will also transition to  $V_{OH}$ . Specification  $t_{WHRH2}$  defines the block erase suspend latency.

At this point, a Read Array command can be written to read data from blocks other than that which is suspended. A Word/Byte Write command sequence can also be issued during erase suspend to program data in other blocks. Using the Word/Byte Write Suspend command (see Section 4.8), a word/byte write operation can also be suspended. During a word/byte write operation with block erase suspended, status register bit SR.7 will return to "0" and the RY/BY# output will transition to  $V_{OL}$ . However, SR.6 will remain "1" to indicate block erase suspend status.

The only other valid commands while block erase is suspended are Read Status Register and Block Erase Resume. After a Block Erase Resume command is written to the flash memory, the WSM will continue the block erase process. Status register bits SR.6 and SR.7 will automatically clear and RY/BY# will return to  $V_{OL}$ . After the Erase Resume command is written, the device automatically outputs status register data when read (see Figure 7).  $V_{PP}$  must remain at  $V_{PPH1/2/3}$  (the same  $V_{PP}$  level used for block erase) while block erase is suspended.  $RP\#$  must also remain at  $V_{IH}$  or  $V_{HH}$  (the same  $RP\#$  level used for block erase).  $WP\#$  must also remain at  $V_{IL}$  or  $V_{IH}$  (the same  $WP\#$  level used for block erase). Block erase cannot resume until word/byte write operations initiated during block erase suspend have completed.

#### 4.8 Word/Byte Write Suspend Command

The Word/Byte Write Suspend command allows word/byte write interruption to read data in other flash memory locations. Once the word/byte write process starts, writing the Word/Byte Write Suspend command requests that the WSM suspend the word/byte write sequence at a predetermined point in the algorithm. The device continues to output status register data when read after the Word/Byte Write Suspend command is written. Polling status register bits SR.7 and SR.2 can determine when the word/byte write operation has been suspended (both will be set to "1"). RY/BY# will also transition to  $V_{OH}$ . Specification  $t_{WHRH1}$  defines the word/byte write suspend latency.

At this point, a Read Array command can be written to read data from locations other than that which is suspended. The only other valid commands while word/byte write is suspended are Read Status Register and Word/Byte Write Resume. After Word/Byte Write Resume command is written to the flash memory, the WSM will continue the word/byte write process. Status register bits SR.2 and SR.7 will automatically clear and RY/BY# will return to  $V_{OL}$ . After the Word/Byte Write Resume command is written, the device automatically outputs status register data when read (see Figure 8).  $V_{PP}$  must remain at  $V_{PPH1/2/3}$  (the same  $V_{PP}$  level used for word/byte write) while in word/byte write suspend mode. RP# must also remain at  $V_{IH}$  or  $V_{HH}$  (the same RP# level used for word/byte write). WP# must also remain at  $V_{IL}$  or  $V_{IH}$  (the same WP# level used for word/byte write).

#### 4.9 Considerations of Suspend

After the suspend command write to the CUI, read status register command has to write to CUI, then status register bit SR.6 or SR.2 should be checked for places the device in suspend mode.

#### 4.10 Block Locking

This Boot Block Flash memory architecture features two hardware-lockable boot blocks so that the kernel code for the system can be kept secure while other blocks are programmed or erased as necessary.

##### 4.10.1 $V_{PP}=V_{IL}$ for Complete Protection

The  $V_{PP}$  programming voltage can be held low for complete write protection of all blocks in the flash device.

##### 4.10.2 $WP#=V_{IL}$ for Block Locking

The lockable blocks are locked when  $WP#=V_{IL}$ ; any program or erase operation to a locked block will result in an error, which will be reflected in the status register. For top configuration, the top two boot blocks are lockable. For the bottom configuration, the bottom two boot blocks are lockable. Unlocked blocks can be programmed or erased normally (Unless  $V_{PP}$  is below  $V_{PPLK}$ ).

##### 4.10.3 $WP#=V_{IH}$ for Block Unlocking

$WP#=V_{IH}$  unlocks all lockable blocks.

These blocks can now be programmed or erased.

WP# controls 2 boot blocks locking and  $V_{PP}$  provides protection against spurious writes. Table 6 defines the write protection methods.

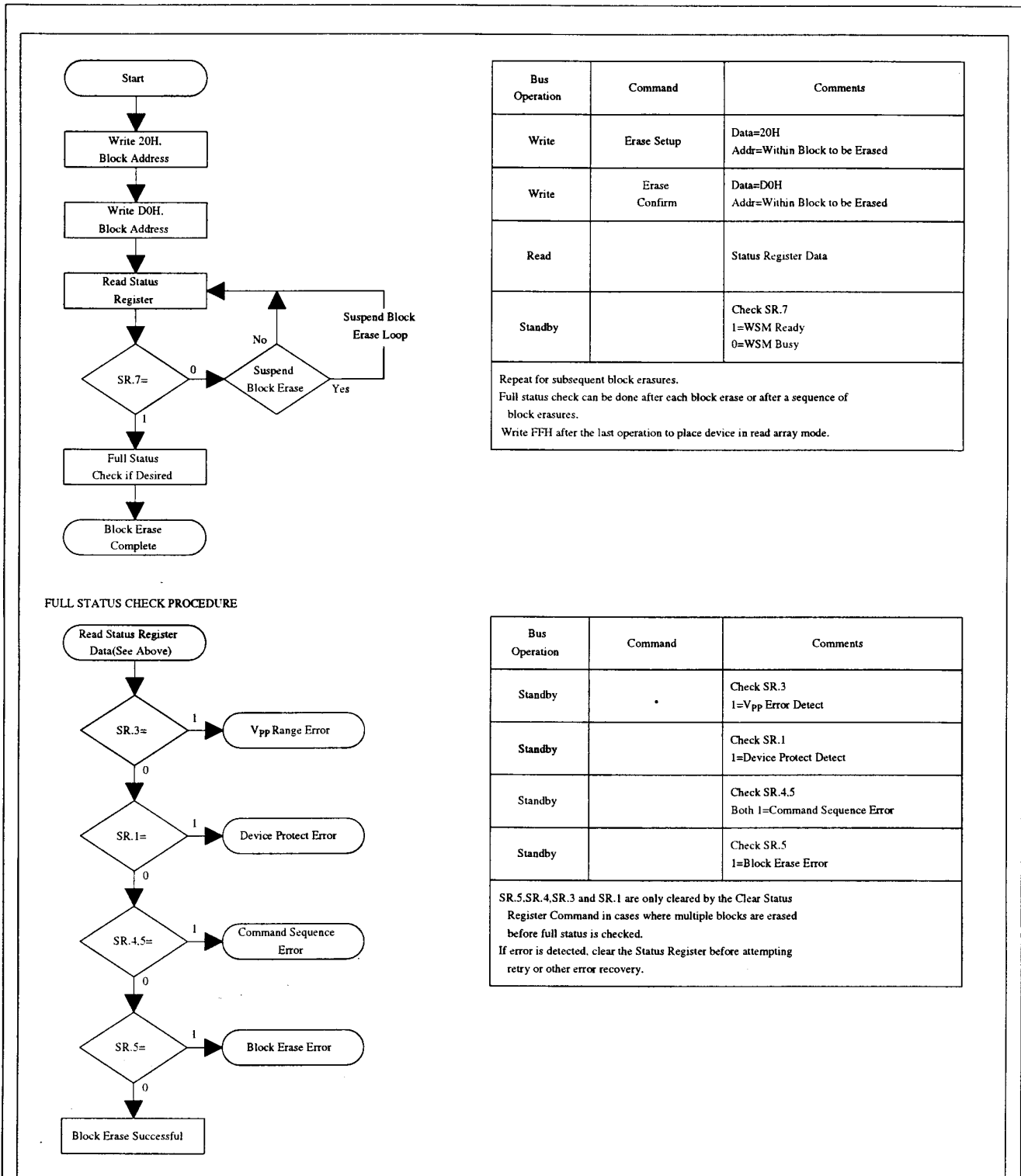
Table 6. Write Protection Alternatives

| Operation                            | $V_{PP}$    | RP#      | WP#      | Effect                |
|--------------------------------------|-------------|----------|----------|-----------------------|
| Block Erase<br>or<br>Word/Byte Write | $V_{IL}$    | X        | X        | All Blocks Locked.    |
|                                      | $>V_{PPLK}$ | $V_{IL}$ | X        | All Blocks Locked.    |
|                                      |             | $V_{HH}$ | X        | All Blocks Unlocked.  |
|                                      |             | $V_{IH}$ | $V_{IL}$ | 2 Boot Blocks Locked. |
|                                      |             |          | $V_{IH}$ | All Blocks Unlocked.  |



Table 7. Status Register Definition

| WSMS                                                                                                                                                                                                                                                                                                                                                                                                                                                                                                                                                                                                                                                                                                                                                                                                                                                                                                                                                                                                                                                                                                                                       | ESS | ES | WBWS | VPPS                                                                                                                                                                                                                                                                                                                                                                                                                                                                                                                                                                                                                                                                                                                                                                                                                                                                                             | WBWSS | DPS | R |
|--------------------------------------------------------------------------------------------------------------------------------------------------------------------------------------------------------------------------------------------------------------------------------------------------------------------------------------------------------------------------------------------------------------------------------------------------------------------------------------------------------------------------------------------------------------------------------------------------------------------------------------------------------------------------------------------------------------------------------------------------------------------------------------------------------------------------------------------------------------------------------------------------------------------------------------------------------------------------------------------------------------------------------------------------------------------------------------------------------------------------------------------|-----|----|------|--------------------------------------------------------------------------------------------------------------------------------------------------------------------------------------------------------------------------------------------------------------------------------------------------------------------------------------------------------------------------------------------------------------------------------------------------------------------------------------------------------------------------------------------------------------------------------------------------------------------------------------------------------------------------------------------------------------------------------------------------------------------------------------------------------------------------------------------------------------------------------------------------|-------|-----|---|
| 7                                                                                                                                                                                                                                                                                                                                                                                                                                                                                                                                                                                                                                                                                                                                                                                                                                                                                                                                                                                                                                                                                                                                          | 6   | 5  | 4    | 3                                                                                                                                                                                                                                                                                                                                                                                                                                                                                                                                                                                                                                                                                                                                                                                                                                                                                                | 2     | 1   | 0 |
| <p>SR.7 = WRITE STATE MACHINE STATUS (WSMS)<br/>                     1 = Ready<br/>                     0 = Busy</p> <p>SR.6 = ERASE SUSPEND STATUS (ESS)<br/>                     1 = Block Erase Suspended<br/>                     0 = Block Erase in Progress/Completed</p> <p>SR.5 = ERASE STATUS (ES)<br/>                     1 = Error in Block Erasure<br/>                     0 = Successful Block Erase</p> <p>SR.4 = WORD/BYTE WRITE STATUS (WBWS)<br/>                     1 = Error in Word/Byte Write<br/>                     0 = Successful Word/Byte Write</p> <p>SR.3 = V<sub>PP</sub> STATUS (VPPS)<br/>                     1 = V<sub>PP</sub> Low Detect, Operation Abort<br/>                     0 = V<sub>PP</sub> OK</p> <p>SR.2 = WORD/BYTE WRITE SUSPEND STATUS (WBWSS)<br/>                     1 = Word/Byte Write Suspended<br/>                     0 = Word/Byte Write in Progress/Completed</p> <p>SR.1 = DEVICE PROTECT STATUS (DPS)<br/>                     1 = WP# or RP# Lock Detected, Operation Abort<br/>                     0 = Unlock</p> <p>SR.0 = RESERVED FOR FUTURE ENHANCEMENTS (R)</p> |     |    |      | <p>NOTES:</p> <p>Check RY/BY# or SR.7 to determine block erase or word/byte write completion. SR.6-0 are invalid while SR.7="0".</p> <p>If both SR.5 and SR.4 are "1"s after a block erase attempt, an improper command sequence was entered.</p> <p>SR.3 does not provide a continuous indication of V<sub>PP</sub> level. The WSM interrogates and indicates the V<sub>PP</sub> level only after Block Erase or Word/Byte Write command sequences. SR.3 is not guaranteed to reports accurate feedback only when V<sub>PP</sub>≠V<sub>PPH1/2/3</sub>.</p> <p>The WSM interrogates the WP# and RP# only after Block Erase or Word/Byte Write command sequences. It informs the system, depending on the attempted operation, if the WP# is not V<sub>IH</sub>, RP# is not V<sub>HH</sub>.</p> <p>SR.0 is reserved for future use and should be masked out when polling the status register.</p> |       |     |   |



| Bus Operation | Command       | Comments                                   |
|---------------|---------------|--------------------------------------------|
| Write         | Erase Setup   | Data=20H<br>Addr=Within Block to be Erased |
| Write         | Erase Confirm | Data=D0H<br>Addr=Within Block to be Erased |
| Read          |               | Status Register Data                       |
| Standby       |               | Check SR.7<br>1=WSM Ready<br>0=WSM Busy    |

Repeat for subsequent block erasures.  
Full status check can be done after each block erase or after a sequence of block erasures.  
Write FFH after the last operation to place device in read array mode.

| Bus Operation | Command | Comments                                      |
|---------------|---------|-----------------------------------------------|
| Standby       |         | Check SR.3<br>1=Vpp Error Detect              |
| Standby       |         | Check SR.1<br>1=Device Protect Detect         |
| Standby       |         | Check SR.4.5<br>Both 1=Command Sequence Error |
| Standby       |         | Check SR.5<br>1=Block Erase Error             |

SR.5,SR.4,SR.3 and SR.1 are only cleared by the Clear Status Register Command in cases where multiple blocks are erased before full status is checked.  
If error is detected, clear the Status Register before attempting retry or other error recovery.

Figure 5. Automated Block Erase Flowchart

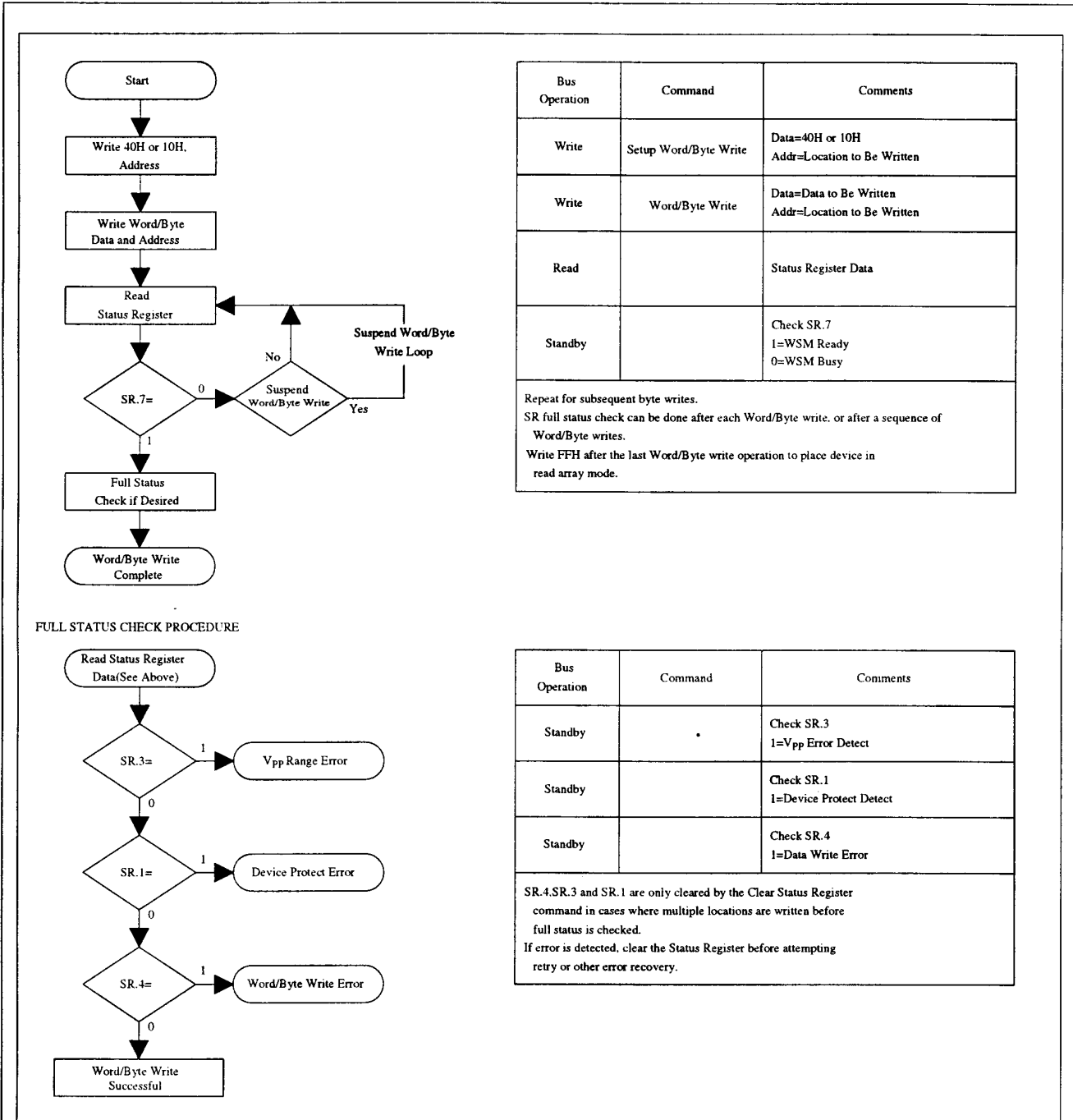


Figure 6. Automated Word/Byte Write Flowchart

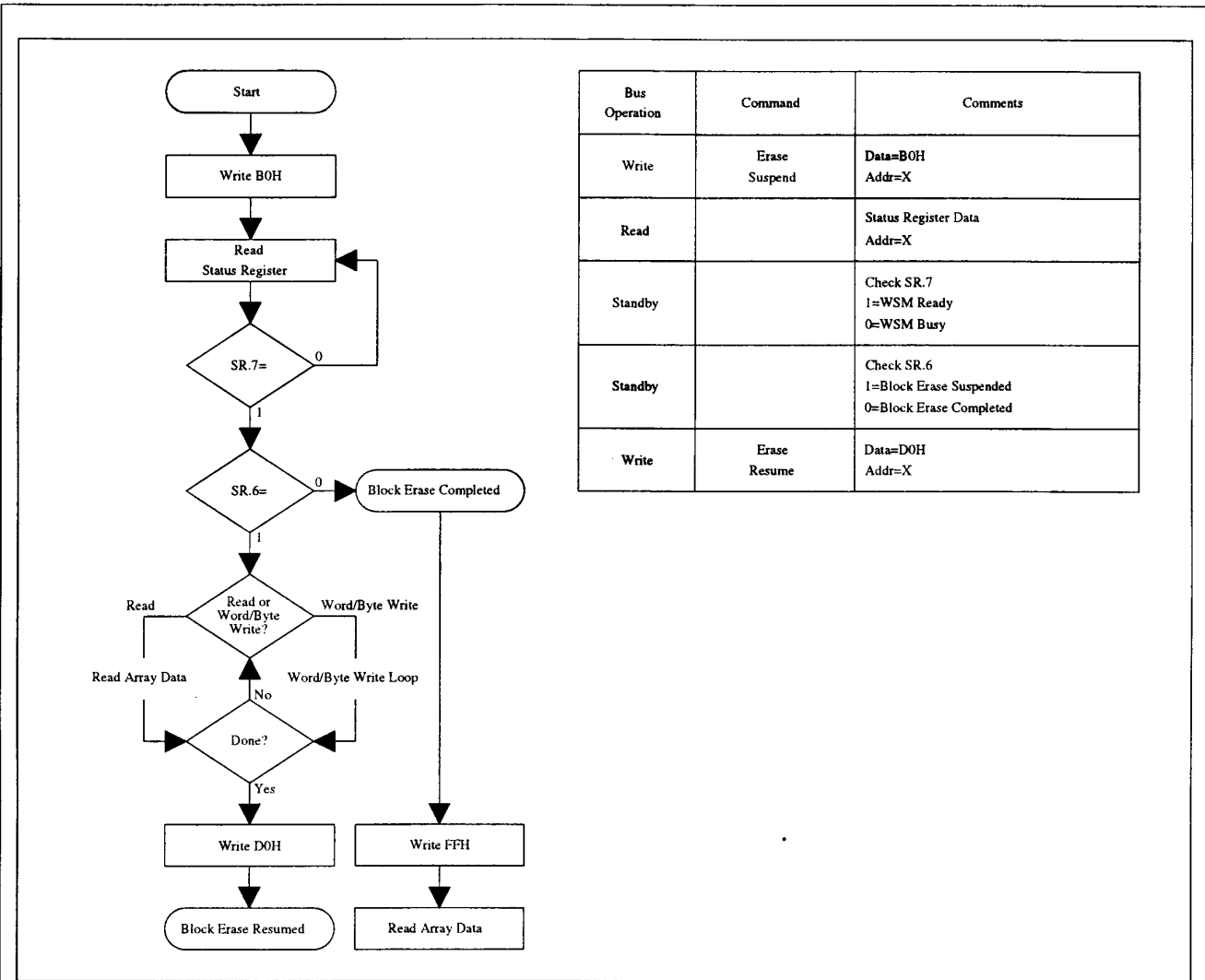


Figure 7. Block Erase Suspend/Resume Flowchart

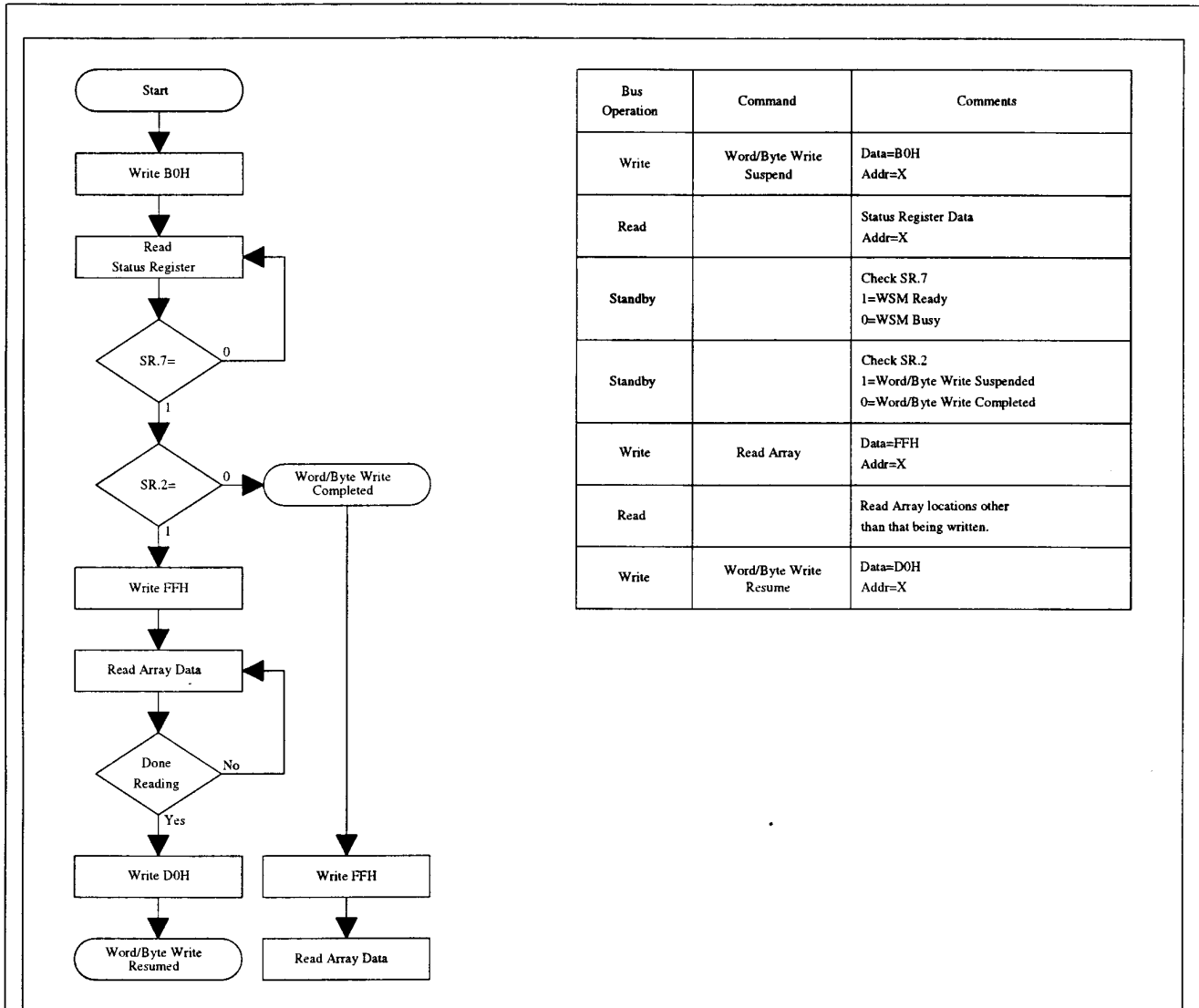


Figure 8. Word/Byte Write Suspend/Resume Flowchart

## 5 DESIGN CONSIDERATIONS

### 5.1 Three-Line Output Control

The device will often be used in large memory arrays. SHARP provides three control inputs to accommodate multiple memory connections. Three-line control provides for:

- a. Lowest possible memory power dissipation.
- b. Complete assurance that data bus contention will not occur.

To use these control inputs efficiently, an address decoder should enable CE# while OE# should be connected to all memory devices and the system's READ# control line. This assures that only selected memory devices have active outputs while deselected memory devices are in standby mode. RP# should be connected to the system POWERGOOD signal to prevent unintended writes during system power transitions. POWERGOOD should also toggle during system reset.

### 5.2 RY/BY#, Block Erase and Word/Byte Write Polling

RY/BY# is a full CMOS output that provides a hardware method of detecting block erase and word/byte write completion. It transitions low after block erase or word/byte write commands and returns to  $V_{OH}$  when the WSM has finished executing the internal algorithm.

RY/BY# can be connected to an interrupt input of the system CPU or controller. It is active at all times. RY/BY# is also  $V_{OH}$  when the device is in block erase suspend

(with word/byte write inactive), word/byte write suspend or deep power-down modes.

### 5.3 Power Supply Decoupling

Flash memory power switching characteristics require careful device decoupling. System designers are interested in three supply current issues; standby current levels, active current levels and transient peaks produced by falling and rising edges of CE# and OE#. Transient current magnitudes depend on the device outputs' capacitive and inductive loading. Two-line control and proper decoupling capacitor selection will suppress transient voltage peaks. Each device should have a 0.1  $\mu\text{F}$  ceramic capacitor connected between its  $V_{CC}$  and GND and between its  $V_{PP}$  and GND. These high-frequency, low inductance capacitors should be placed as close as possible to package leads. Additionally, for every eight devices, a 4.7  $\mu\text{F}$  electrolytic capacitor should be placed at the array's power supply connection between  $V_{CC}$  and GND. The bulk capacitor will overcome voltage slumps caused by PC board trace inductance.

### 5.4 $V_{PP}$ Trace on Printed Circuit Boards

Updating flash memories that reside in the target system requires that the printed circuit board designer pay attention to the  $V_{PP}$  Power supply trace. The  $V_{PP}$  pin supplies the memory cell current for word/byte writing and block erasing. Use similar trace widths and layout considerations given to the  $V_{CC}$  power bus. Adequate  $V_{PP}$  supply traces and decoupling will decrease  $V_{PP}$  voltage spikes and overshoots.

### 5.5 $V_{CC}$ , $V_{PP}$ , RP# Transitions

Block erase and word/byte write are not guaranteed if  $V_{PP}$  falls outside of a valid  $V_{PPH1/2/3}$  range,  $V_{CC}$  falls outside of a valid  $V_{CC1/2/3/4}$  range, or  $RP\# \neq V_{IH}$  or  $V_{HH}$ . If  $V_{PP}$  error is detected, status register bit SR.3 is set to "1" along with SR.4 or SR.5, depending on the attempted operation. If RP# transitions to  $V_{IL}$  during block erase or word/byte write, RY/BY# will remain low until the reset operation is complete. Then, the operation will abort and the device will enter deep power-down. The aborted operation may leave data partially altered. Therefore, the command sequence must be repeated after normal operation is restored. Device power-off or RP# transitions to  $V_{IL}$  clear the status register.

The CUI latches commands issued by system software and is not altered by  $V_{PP}$  or CE# transitions or WSM actions. Its state is read array mode upon power-up, after exit from deep power-down or after  $V_{CC}$  transitions below  $V_{LKO}$ .

After block erase or word/byte write, even after  $V_{PP}$  transitions down to  $V_{PPLK}$ , the CUI must be placed in read array mode via the Read Array command if subsequent access to the memory array is desired.

### 5.6 Power-Up/Down Protection

The device is designed to offer protection against accidental block erasure or word/byte writing during power transitions. Upon power-up, the device is indifferent as to which power supply ( $V_{PP}$  or  $V_{CC}$ ) powers-up first. Internal circuitry resets the CUI to read array mode at power-up.

A system designer must guard against spurious writes for  $V_{CC}$  voltages above  $V_{LKO}$  when  $V_{PP}$  is active. Since both WE# and CE# must be low for a command write, driving either to  $V_{IH}$  will inhibit writes. The CUI's two-step command sequence architecture provides added level of protection against data alteration.

WP# provide additional protection from inadvertent code or data alteration. The device is disabled while  $RP\# = V_{IL}$  regardless of its control inputs state.

### 5.7 Power Dissipation

When designing portable systems, designers must consider battery power consumption not only during device operation, but also for data retention during system idle time. Flash memory's nonvolatility increases usable battery life because data is retained when system power is removed.

In addition, deep power-down mode ensures extremely low power consumption even when system power is applied. For example, portable computing products and other power sensitive applications that use an array of devices for solid-state storage can consume negligible power by lowering RP# to  $V_{IL}$  standby or sleep modes. If access is again needed, the devices can be read following the  $t_{PHQV}$  and  $t_{PHWL}$  wake-up cycles required after RP# is first raised to  $V_{IH}$ . See AC Characteristics— Read Only and Write Operations and Figures 13, 14, 15 and 16 for more information.

## 6 ELECTRICAL SPECIFICATIONS

### 6.1 Absolute Maximum Ratings\*

#### Operating Temperature

During Read, Block Erase and  
 Word/Byte Write.....-40°C to +85°C(1)  
 Temperature under Bias ..... -40°C to +85°C

Storage Temperature ..... -65°C to +125°C

#### Voltage On Any Pin

(except V<sub>CC</sub>, V<sub>PP</sub>, and RP#) ..... -0.5V to +7.0V(2)

V<sub>CC</sub> Supply Voltage..... -0.2V to +7.0V(2)

#### V<sub>PP</sub> Update Voltage during Block

Erase and Word/Byte Write ..... -0.2V to +14.0V(2,3)

RP# Voltage ..... -0.5V to +14.0V(2,3)

Output Short Circuit Current..... 100mA(4)

*\*WARNING: Stressing the device beyond the "Absolute Maximum Ratings" may cause permanent damage. These are stress ratings only. Operation beyond the "Operating Conditions" is not recommended and extended exposure beyond the "Operating Conditions" may affect device reliability.*

#### NOTES:

1. Operating temperature is for extended temperature product defined by this specification.
2. All specified voltages are with respect to GND. Minimum DC voltage is -0.5V on input/output pins and -0.2V on V<sub>CC</sub> and V<sub>PP</sub> pins. During transitions, this level may undershoot to -2.0V for periods <20ns. Maximum DC voltage on input/output pins and V<sub>CC</sub> is V<sub>CC</sub>+0.5V which, during transitions, may overshoot to V<sub>CC</sub>+2.0V for periods <20ns.
3. Maximum DC voltage on V<sub>PP</sub> and RP# may overshoot to +14.0V for periods <20ns.
4. Output shorted for no more than one second. No more than one output shorted at a time.

### 6.2 Operating Conditions

Temperature and V<sub>CC</sub> Operating Conditions

| Symbol           | Parameter                                  | Min. | Max. | Unit | Test Condition      |
|------------------|--------------------------------------------|------|------|------|---------------------|
| T <sub>A</sub>   | Operating Temperature                      | -40  | +85  | °C   | Ambient Temperature |
| V <sub>CC1</sub> | V <sub>CC</sub> Supply Voltage (2.7V-3.6V) | 2.7  | 3.6  | V    |                     |
| V <sub>CC2</sub> | V <sub>CC</sub> Supply Voltage (3.3V±0.3V) | 3.0  | 3.6  | V    |                     |
| V <sub>CC3</sub> | V <sub>CC</sub> Supply Voltage (5V±0.25V)  | 4.75 | 5.25 | V    |                     |
| V <sub>CC4</sub> | V <sub>CC</sub> Supply Voltage (5V±0.5V)   | 4.50 | 5.50 | V    |                     |

#### 6.2.1 CAPACITANCE(1)

T<sub>A</sub>=+25°C, f=1MHz

| Symbol           | Parameter          | Typ. | Max. | Unit | Condition              |
|------------------|--------------------|------|------|------|------------------------|
| C <sub>IN</sub>  | Input Capacitance  | 7    | 10   | pF   | V <sub>IN</sub> =0.0V  |
| C <sub>OUT</sub> | Output Capacitance | 9    | 12   | pF   | V <sub>OUT</sub> =0.0V |

#### NOTE:

1. Sampled, not 100% tested.



## 6.2.2 AC INPUT/OUTPUT TEST CONDITIONS

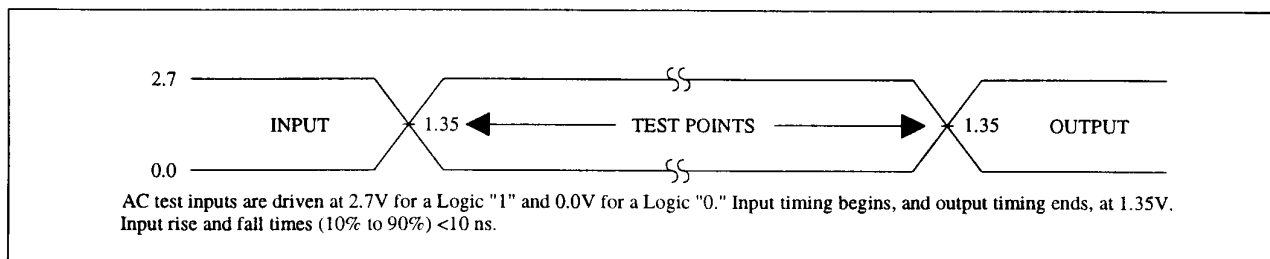


Figure 9. Transient Input/Output Reference Waveform for  $V_{CC}=2.7V-3.6V$

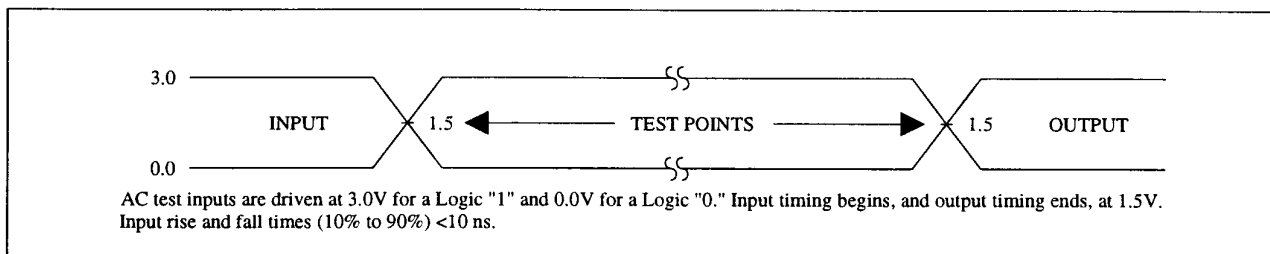


Figure 10. Transient Input/Output Reference Waveform for  $V_{CC}=3.3V\pm 0.3V$  and  $V_{CC}=5V\pm 0.25V$  (High Speed Testing Configuration)

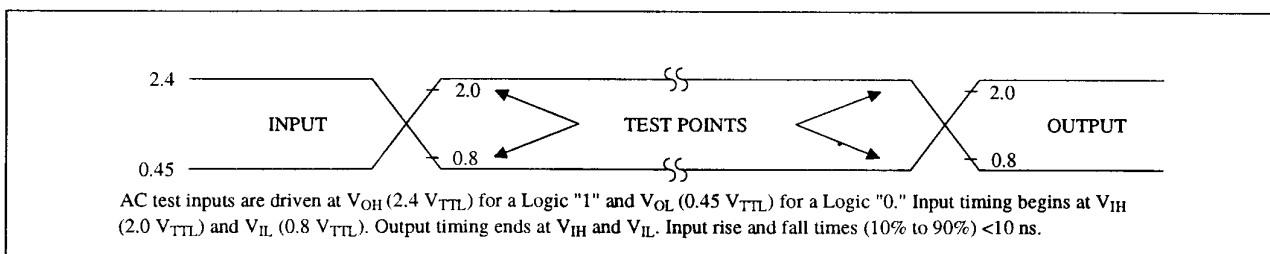


Figure 11. Transient Input/Output Reference Waveform for  $V_{CC}=5V\pm 0.5V$  (Standard Testing Configuration)

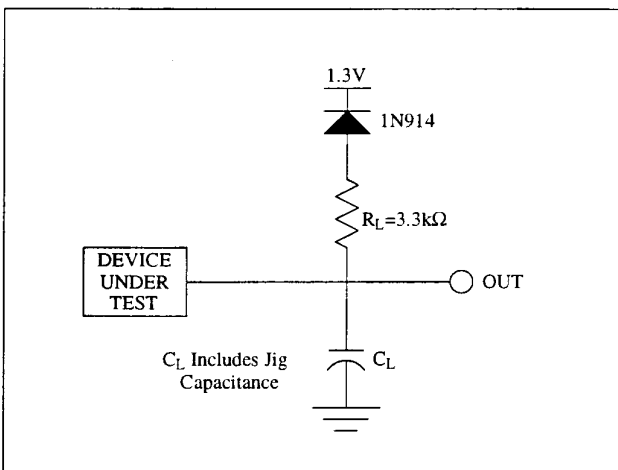


Figure 12. Transient Equivalent Testing Load Circuit

Test Configuration Capacitance Loading Value

| Test Configuration               | $C_L$ (pF) |
|----------------------------------|------------|
| $V_{CC}=3.3V\pm 0.3V, 2.7V-3.6V$ | 30         |
| $V_{CC}=5V\pm 0.25V$             | 30         |
| $V_{CC}=5V\pm 0.5V$              | 100        |

## 6.2.3 DC CHARACTERISTICS

## DC Characteristics

| Sym.                                   | Parameter                                                      | Notes        | V <sub>CC</sub> =2.7V-3.6V |      | V <sub>CC</sub> =5V±0.5V |      | Unit | Test Conditions                                                                                                                                      |
|----------------------------------------|----------------------------------------------------------------|--------------|----------------------------|------|--------------------------|------|------|------------------------------------------------------------------------------------------------------------------------------------------------------|
|                                        |                                                                |              | Typ.                       | Max. | Typ.                     | Max. |      |                                                                                                                                                      |
| I <sub>LI</sub>                        | Input Load Current                                             | 1            |                            | ±0.5 |                          | ±1   | μA   | V <sub>CC</sub> =V <sub>CC</sub> Max.<br>V <sub>IN</sub> =V <sub>CC</sub> or GND                                                                     |
| I <sub>LO</sub>                        | Output Leakage Current                                         | 1            |                            | ±0.5 |                          | ±10  | μA   | V <sub>CC</sub> =V <sub>CC</sub> Max.<br>V <sub>OUT</sub> =V <sub>CC</sub> or GND                                                                    |
| I <sub>CCS</sub>                       | V <sub>CC</sub> Standby Current                                | 1,3,6,<br>10 | 25                         | 50   | 30                       | 100  | μA   | CMOS Inputs<br>V <sub>CC</sub> =V <sub>CC</sub> Max.<br>CE#=RP#=V <sub>CC</sub> ±0.2V                                                                |
|                                        |                                                                |              | 0.2                        | 2    | 0.4                      | 2    | mA   | TTL Inputs<br>V <sub>CC</sub> =V <sub>CC</sub> Max.<br>CE#=RP#=V <sub>IH</sub>                                                                       |
| I <sub>CCD</sub>                       | V <sub>CC</sub> Deep Power-Down Current                        | 1,10         | 4                          | 20   |                          | 20   | μA   | RP#=GND±0.2V<br>I <sub>OUT</sub> (RY/BY#)=0mA                                                                                                        |
| I <sub>CCR</sub>                       | V <sub>CC</sub> Read Current                                   | 1,5,6        | 15                         | 25   |                          | 50   | mA   | CMOS Inputs<br>V <sub>CC</sub> =V <sub>CC</sub> Max., CE#=GND<br>f=5MHz(3.3V±0.3V),<br>f=5MHz(2.7V-3.6V)<br>f=8MHz(5V±0.5V)<br>I <sub>OUT</sub> =0mA |
|                                        |                                                                |              |                            | 30   |                          | 65   | mA   | TTL Inputs<br>V <sub>CC</sub> =V <sub>CC</sub> Max., CE#=GND<br>f=5MHz(3.3V±0.3V),<br>f=5MHz(2.7V-3.6V)<br>f=8MHz(5V±0.5V)<br>I <sub>OUT</sub> =0mA  |
| I <sub>CCW</sub>                       | V <sub>CC</sub> Word/Byte Write Current                        | 1,7          | 5                          | 17   | —                        | —    | mA   | V <sub>PP</sub> =2.7V-3.6V                                                                                                                           |
|                                        |                                                                |              | 5                          | 17   |                          | 35   | mA   | V <sub>PP</sub> =4.5V-5.5V                                                                                                                           |
|                                        |                                                                |              | 5                          | 12   |                          | 30   | mA   | V <sub>PP</sub> =11.4V-12.6V                                                                                                                         |
| I <sub>CCE</sub>                       | V <sub>CC</sub> Block Erase Current                            | 1,7          | 4                          | 17   | —                        | —    | mA   | V <sub>PP</sub> =2.7V-3.6V                                                                                                                           |
|                                        |                                                                |              | 4                          | 17   |                          | 30   | mA   | V <sub>PP</sub> =4.5V-5.5V                                                                                                                           |
|                                        |                                                                |              | 4                          | 12   |                          | 25   | mA   | V <sub>PP</sub> =11.4V-12.6V                                                                                                                         |
| I <sub>CCWS</sub><br>I <sub>CCES</sub> | V <sub>CC</sub> Word/Byte Write or Block Erase Suspend Current | 1,2          | 1                          | 6    | 1                        | 10   | mA   | CE#=V <sub>IH</sub>                                                                                                                                  |
| I <sub>PPS</sub><br>I <sub>PPR</sub>   | V <sub>PP</sub> Standby or Read Current                        | 1            | ±2                         | ±15  | ±2                       | ±15  | μA   | V <sub>PP</sub> ≤V <sub>CC</sub>                                                                                                                     |
|                                        |                                                                |              | 10                         | 200  | 10                       | 200  | μA   | V <sub>PP</sub> >V <sub>CC</sub>                                                                                                                     |
| I <sub>PPD</sub>                       | V <sub>PP</sub> Deep Power-Down Current                        | 1            | 0.1                        | 5    | 0.1                      | 5    | μA   | RP#=GND±0.2V                                                                                                                                         |
| I <sub>PPW</sub>                       | V <sub>PP</sub> Word/Byte Write Current                        | 1,7          | 12                         | 40   | —                        | —    | mA   | V <sub>PP</sub> =2.7V-3.6V                                                                                                                           |
|                                        |                                                                |              |                            | 40   |                          | 40   | mA   | V <sub>PP</sub> =4.5V-5.5V                                                                                                                           |
|                                        |                                                                |              |                            | 30   |                          | 30   | mA   | V <sub>PP</sub> =11.4V-12.6V                                                                                                                         |
| I <sub>PPE</sub>                       | V <sub>PP</sub> Block Erase Current                            | 1,7          | 8                          | 25   | —                        | —    | mA   | V <sub>PP</sub> =2.7V-3.6V                                                                                                                           |
|                                        |                                                                |              |                            | 25   |                          | 25   | mA   | V <sub>PP</sub> =4.5V-5.5V                                                                                                                           |
|                                        |                                                                |              |                            | 20   |                          | 20   | mA   | V <sub>PP</sub> =11.4V-12.6V                                                                                                                         |
| I <sub>PPWS</sub><br>I <sub>PPES</sub> | V <sub>PP</sub> Word/Byte Write or Block Erase Suspend Current | 1            | 10                         | 200  | 10                       | 200  | μA   | V <sub>PP</sub> =V <sub>PPH1/2/3</sub>                                                                                                               |

DC Characteristics (Continued)

| Sym.              | Parameter                                                                | Notes | V <sub>CC</sub> =2.7V-3.6V |                      | V <sub>CC</sub> =5V±0.5V |                      | Unit | Test Conditions                                                                                                                                       |
|-------------------|--------------------------------------------------------------------------|-------|----------------------------|----------------------|--------------------------|----------------------|------|-------------------------------------------------------------------------------------------------------------------------------------------------------|
|                   |                                                                          |       | Min.                       | Max.                 | Min.                     | Max.                 |      |                                                                                                                                                       |
| V <sub>IL</sub>   | Input Low Voltage                                                        | 7     | -0.5                       | 0.8                  | -0.5                     | 0.8                  | V    |                                                                                                                                                       |
| V <sub>IH</sub>   | Input High Voltage                                                       | 7     | 2.0                        | V <sub>CC</sub> +0.5 | 2.0                      | V <sub>CC</sub> +0.5 | V    |                                                                                                                                                       |
| V <sub>OL</sub>   | Output Low Voltage                                                       | 3,7   |                            | 0.4                  |                          | 0.45                 | V    | V <sub>CC</sub> =V <sub>CC</sub> Min.<br>I <sub>OL</sub> =5.8mA(5V±0.5V)<br>I <sub>OL</sub> =2.0mA(3.3V±0.3V)<br>I <sub>OL</sub> =2.0mA(2.7V-3.6V)    |
| V <sub>OH1</sub>  | Output High Voltage (TTL)                                                | 3,7   | 2.4                        |                      | 2.4                      |                      | V    | V <sub>CC</sub> =V <sub>CC</sub> Min.<br>I <sub>OH</sub> =-2.5mA(5V±0.5V)<br>I <sub>OH</sub> =-2.0mA(3.3V±0.3V)<br>I <sub>OH</sub> =-1.5mA(2.7V-3.6V) |
| V <sub>OH2</sub>  | Output High Voltage (CMOS)                                               | 3,7   | 0.85                       |                      | 0.85                     |                      | V    | V <sub>CC</sub> =V <sub>CC</sub> Min.<br>I <sub>OH</sub> =-2.0mA                                                                                      |
|                   |                                                                          |       | V <sub>CC</sub> -0.4       |                      | V <sub>CC</sub> -0.4     |                      | V    | V <sub>CC</sub> =V <sub>CC</sub> Min.<br>I <sub>OH</sub> =-100µA                                                                                      |
| V <sub>PPLK</sub> | V <sub>PP</sub> Lockout Voltage during Normal Operations                 | 4,7   |                            | 1.5                  |                          | 1.5                  | V    |                                                                                                                                                       |
| V <sub>PPH1</sub> | V <sub>PP</sub> Voltage during Word/Byte Write or Block Erase Operations |       | 2.7                        | 3.6                  | —                        | —                    | V    |                                                                                                                                                       |
| V <sub>PPH2</sub> | V <sub>PP</sub> Voltage during Word/Byte Write or Block Erase Operations |       | 4.5                        | 5.5                  | 4.5                      | 5.5                  | V    |                                                                                                                                                       |
| V <sub>PPH3</sub> | V <sub>PP</sub> Voltage during Word/Byte Write or Block Erase Operations |       | 11.4                       | 12.6                 | 11.4                     | 12.6                 | V    |                                                                                                                                                       |
| V <sub>LKO</sub>  | V <sub>CC</sub> Lockout Voltage                                          |       | 2.0                        |                      | 2.0                      |                      | V    |                                                                                                                                                       |
| V <sub>HH</sub>   | RP# Unlock Voltage                                                       | 8,9   | 11.4                       | 12.6                 | 11.4                     | 12.6                 | V    | Unavailable WP#                                                                                                                                       |

NOTES:

- All currents are in RMS unless otherwise noted. Typical values at nominal V<sub>CC</sub> voltage and T<sub>A</sub>=+25°C.
- I<sub>CCWS</sub> and I<sub>CCES</sub> are specified with the device de-selected. If read or word/byte written while in erase suspend mode, the device's current draw is the sum of I<sub>CCWS</sub> or I<sub>CCES</sub> and I<sub>CCR</sub> or I<sub>CCW</sub>, respectively.
- Includes RY/BY#.
- Block erases and word/byte writes are inhibited when V<sub>PP</sub>≤V<sub>PPLK</sub>, and not guaranteed in the range between V<sub>PPLK</sub>(max.) and V<sub>PPH1</sub>(min.), between V<sub>PPH1</sub>(max.) and V<sub>PPH2</sub>(min.), between V<sub>PPH2</sub>(max.) and V<sub>PPH3</sub>(min.), and above V<sub>PPH3</sub>(max.).
- Automatic Power Savings (APS) reduces typical I<sub>CCR</sub> to 1mA at 5V V<sub>CC</sub> and 3mA at 2.7V and 3.3V V<sub>CC</sub> in static operation.
- CMOS inputs are either V<sub>CC</sub>±0.2V or GND±0.2V. TTL inputs are either V<sub>IL</sub> or V<sub>IH</sub>.
- Sampled, not 100% tested.
- Boot block erases and word/byte writes are inhibited when the corresponding RP#=V<sub>IH</sub> and WP#=V<sub>IL</sub>. Block erase and word/byte write operations are not guaranteed with V<sub>IH</sub><RP#<V<sub>HH</sub> and should not be attempted.
- RP# connection to a V<sub>HH</sub> supply is allowed for a maximum cumulative period of 80 hours.
- BYTE# input level is V<sub>CC</sub>±0.2V in word mode or GND±0.2V in byte mode. WP# input level is V<sub>CC</sub>±0.2V or GND±0.2V.

6.2.4 AC CHARACTERISTICS - READ-ONLY OPERATIONS<sup>(1)</sup> $V_{CC}=2.7V-3.6V, T_A=-40^{\circ}C$  to  $+85^{\circ}C$ 

| Sym.       | Parameter                                                           | Notes | Min. | Max. | Unit |
|------------|---------------------------------------------------------------------|-------|------|------|------|
| $t_{AVAV}$ | Read Cycle Time                                                     |       | 120  |      | ns   |
| $t_{AVOV}$ | Address to Output Delay                                             |       |      | 120  | ns   |
| $t_{ELOV}$ | CE# to Output Delay                                                 | 2     |      | 120  | ns   |
| $t_{PHOV}$ | RP# High to Output Delay                                            |       |      | 600  | ns   |
| $t_{GLOV}$ | OE# to Output Delay                                                 | 2     |      | 50   | ns   |
| $t_{ELOX}$ | CE# to Output in Low Z                                              | 3     | 0    |      | ns   |
| $t_{EHOZ}$ | CE# High to Output in High Z                                        | 3     |      | 55   | ns   |
| $t_{GLOX}$ | OE# to Output in Low Z                                              | 3     | 0    |      | ns   |
| $t_{GHOZ}$ | OE# High to Output in High Z                                        | 3     |      | 20   | ns   |
| $t_{OH}$   | Output Hold from Address, CE# or OE# Change, Whichever Occurs First | 3     | 0    |      | ns   |
| $t_{FVOV}$ | BYTE# to Output Delay                                               | 3     |      | 120  | ns   |
| $t_{FLOZ}$ | BYTE# Low to Output in High Z                                       | 3     |      | 30   | ns   |
| $t_{ELFV}$ | CE# to BYTE# High or Low                                            | 3,6   |      | 5    | ns   |

NOTE:

See 5.0V  $V_{CC}$  Read-Only Operations for notes 1 through 6. $V_{CC}=3.3V\pm 0.3V, T_A=-40^{\circ}C$  to  $+85^{\circ}C$ 

| Sym.       | Parameter                                                           | Notes | Min. | Max. | Unit |
|------------|---------------------------------------------------------------------|-------|------|------|------|
| $t_{AVAV}$ | Read Cycle Time                                                     |       | 100  |      | ns   |
| $t_{AVOV}$ | Address to Output Delay                                             |       |      | 100  | ns   |
| $t_{ELOV}$ | CE# to Output Delay                                                 | 2     |      | 100  | ns   |
| $t_{PHOV}$ | RP# High to Output Delay                                            |       |      | 600  | ns   |
| $t_{GLOV}$ | OE# to Output Delay                                                 | 2     |      | 50   | ns   |
| $t_{ELOX}$ | CE# to Output in Low Z                                              | 3     | 0    |      | ns   |
| $t_{EHOZ}$ | CE# High to Output in High Z                                        | 3     |      | 55   | ns   |
| $t_{GLOX}$ | OE# to Output in Low Z                                              | 3     | 0    |      | ns   |
| $t_{GHOZ}$ | OE# High to Output in High Z                                        | 3     |      | 20   | ns   |
| $t_{OH}$   | Output Hold from Address, CE# or OE# Change, Whichever Occurs First | 3     | 0    |      | ns   |
| $t_{FVOV}$ | BYTE# to Output Delay                                               | 3     |      | 100  | ns   |
| $t_{FLOZ}$ | BYTE# Low to Output in High Z                                       | 3     |      | 30   | ns   |
| $t_{ELFV}$ | CE# to BYTE# High or Low                                            | 3,6   |      | 5    | ns   |

NOTE:

See 5.0V  $V_{CC}$  Read-Only Operations for notes 1 through 6.

$V_{CC}=5V\pm 0.5V, 5V\pm 0.25V, T_A=-40^{\circ}C$  to  $+85^{\circ}C$

| Sym.       | Parameter                                                           | Notes | $V_{CC}=5V\pm 0.25V^{(4)}$ |      | $V_{CC}=5V\pm 0.5V^{(5)}$ |      | Unit |
|------------|---------------------------------------------------------------------|-------|----------------------------|------|---------------------------|------|------|
|            |                                                                     |       | Min.                       | Max. | Min.                      | Max. |      |
| $t_{AVAV}$ | Read Cycle Time                                                     |       | 85                         |      | 90                        |      | ns   |
| $t_{AVOV}$ | Address to Output Delay                                             |       |                            | 85   |                           | 90   | ns   |
| $t_{ELOV}$ | CE# to Output Delay                                                 | 2     |                            | 85   |                           | 90   | ns   |
| $t_{PHOV}$ | RP# High to Output Delay                                            |       |                            | 400  |                           | 400  | ns   |
| $t_{GLQV}$ | OE# to Output Delay                                                 | 2     |                            | 40   |                           | 45   | ns   |
| $t_{ELQX}$ | CE# to Output in Low Z                                              | 3     | 0                          |      | 0                         |      | ns   |
| $t_{EHOZ}$ | CE# High to Output in High Z                                        | 3     |                            | 55   |                           | 55   | ns   |
| $t_{GLOX}$ | OE# to Output in Low Z                                              | 3     | 0                          |      | 0                         |      | ns   |
| $t_{GHOZ}$ | OE# High to Output in High Z                                        | 3     |                            | 10   |                           | 10   | ns   |
| $t_{OH}$   | Output Hold from Address, CE# or OE# Change, Whichever Occurs First | 3     | 0                          |      | 0                         |      | ns   |
| $t_{FVQV}$ | BYTE# to Output Delay                                               | 3     |                            | 85   |                           | 90   | ns   |
| $t_{FLOZ}$ | BYTE# Low to Output in High Z                                       | 3     |                            | 25   |                           | 30   | ns   |
| $t_{ELFV}$ | CE# to BYTE# High or Low                                            | 3,6   |                            | 5    |                           | 5    | ns   |

NOTES:

1. See AC Input/Output Reference Waveform for maximum allowable input slew rate.
2. OE# may be delayed up to  $t_{ELQV}-t_{GLQV}$  after the falling edge of CE# without impact on  $t_{ELQV}$ .
3. Sampled, not 100% tested.
4. See Transient Input/Output Reference Waveform and Transient Equivalent Testing Load Circuit (High Speed Configuration) for testing characteristics.
5. See Transient Input/Output Reference Waveform and Transient Equivalent Testing Load Circuit (Standard Configuration) for testing characteristics.
6. If BYTE# transfer during reading cycle, exist the regulations separately. Please inquire with your local SHARP sales office.

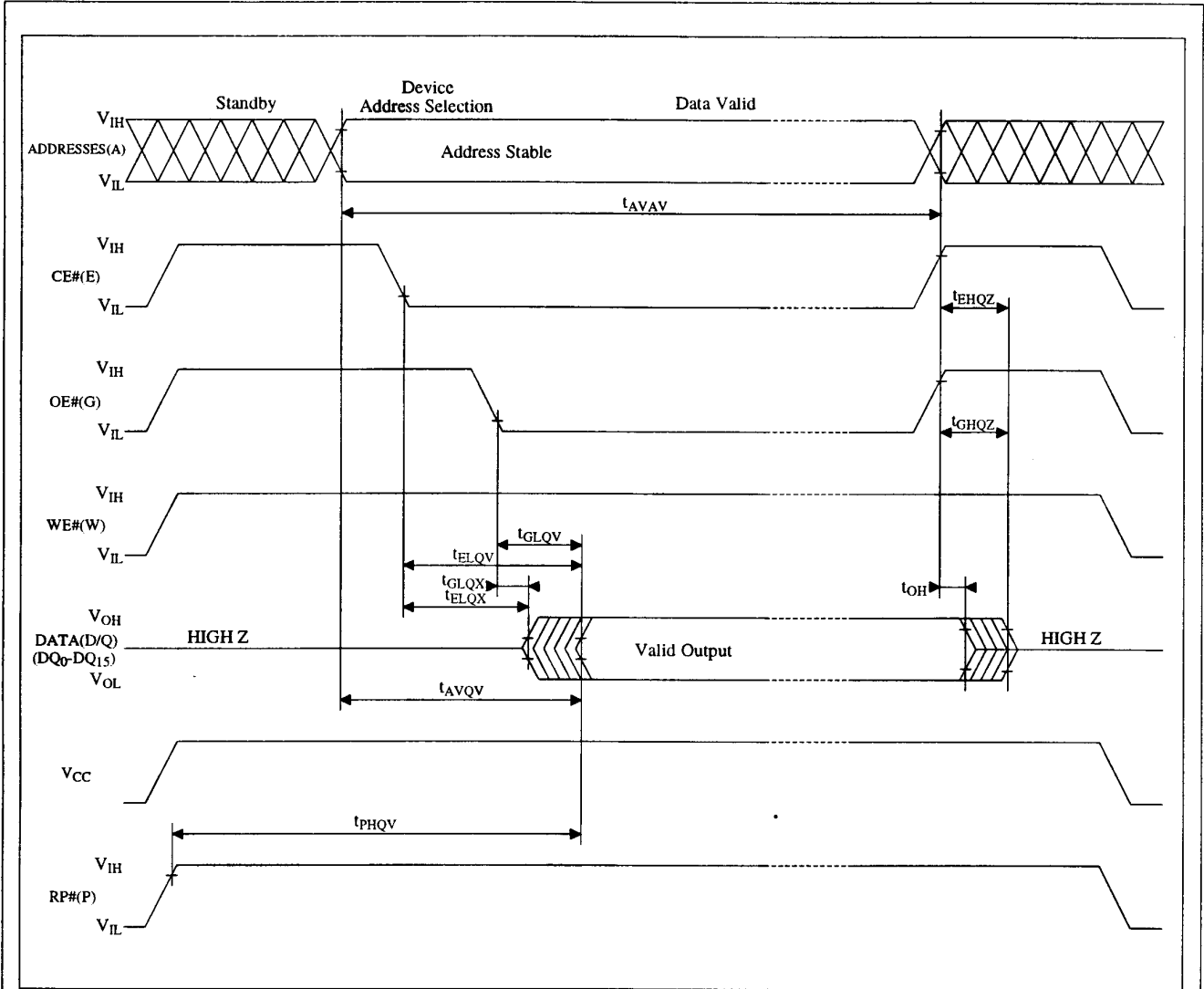


Figure 13. AC Waveform for Read Operations

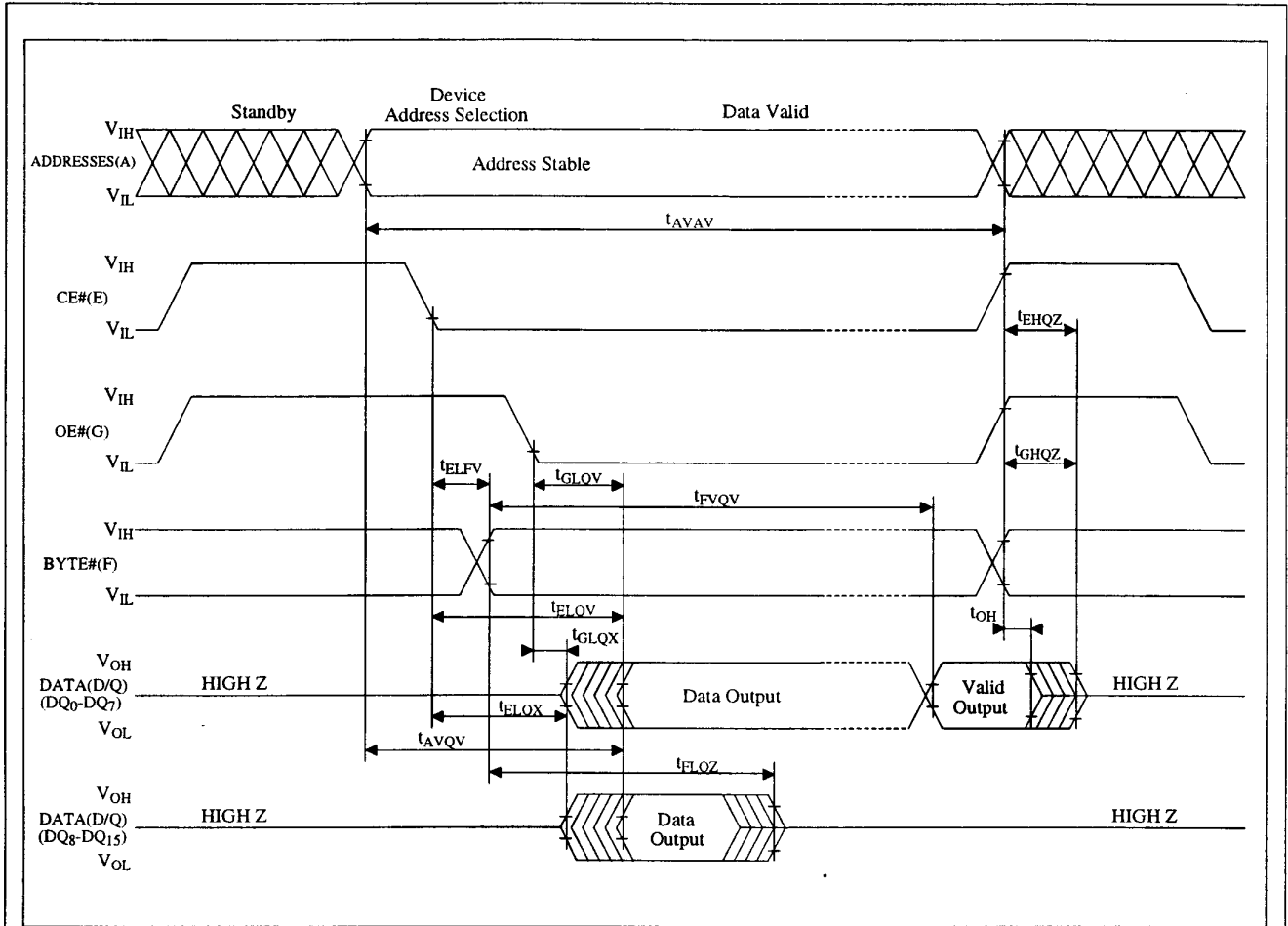


Figure 14. BYTE# timing Waveform

## 6.2.5 AC CHARACTERISTICS - WRITE OPERATIONS<sup>(1)</sup>

$V_{CC}=2.7V-3.6V$ ,  $T_A=-40^{\circ}C$  to  $+85^{\circ}C$

| Sym.       | Parameter                                     | Notes | Min. | Max. | Unit    |
|------------|-----------------------------------------------|-------|------|------|---------|
| $t_{AVAV}$ | Write Cycle Time                              |       | 120  |      | ns      |
| $t_{PHWL}$ | RP# High Recovery to WE# Going Low            | 2     | 1    |      | $\mu s$ |
| $t_{ELWL}$ | CE# Setup to WE# Going Low                    |       | 10   |      | ns      |
| $t_{WLWH}$ | WE# Pulse Width                               |       | 50   |      | ns      |
| $t_{PHWH}$ | RP# $V_{HH}$ Setup to WE# Going High          | 2     | 100  |      | ns      |
| $t_{SHWH}$ | WP# $V_{IH}$ Setup to WE# Going High          | 2     | 100  |      | ns      |
| $t_{VPWH}$ | $V_{PP}$ Setup to WE# Going High              | 2     | 100  |      | ns      |
| $t_{AVWH}$ | Address Setup to WE# Going High               | 3     | 50   |      | ns      |
| $t_{DVWH}$ | Data Setup to WE# Going High                  | 3     | 50   |      | ns      |
| $t_{WHDX}$ | Data Hold from WE# High                       |       | 0    |      | ns      |
| $t_{WHAX}$ | Address Hold from WE# High                    |       | 5    |      | ns      |
| $t_{WHEH}$ | CE# Hold from WE# High                        |       | 10   |      | ns      |
| $t_{WHWL}$ | WE# Pulse Width High                          |       | 30   |      | ns      |
| $t_{WHRL}$ | WE# High to RY/BY# Going Low                  |       |      | 100  | ns      |
| $t_{WHGL}$ | Write Recovery before Read                    |       | 0    |      | ns      |
| $t_{QVVL}$ | $V_{PP}$ Hold from Valid SRD, RY/BY# High     | 2,4   | 0    |      | ns      |
| $t_{QVPH}$ | RP# $V_{HH}$ Hold from Valid SRD, RY/BY# High | 2,4   | 0    |      | ns      |
| $t_{QVSL}$ | WP# $V_{IH}$ Hold from Valid SRD, RY/BY# High | 2,4   | 0    |      | ns      |
| $t_{FVWH}$ | BYTE# Setup to WE# Going High                 | 7     | 50   |      | ns      |
| $t_{WHFV}$ | BYTE# Hold from WE# High                      | 7     | 120  |      | ns      |

NOTE:

See 5.0V  $V_{CC}$  AC Characteristics - Write Operations for notes 1 through 7.



$V_{CC}=3.3V\pm 0.3V, T_A=-40^{\circ}C$  to  $+85^{\circ}C$

| Sym.       | Parameter                                     | Notes | Min. | Max. | Unit    |
|------------|-----------------------------------------------|-------|------|------|---------|
| $t_{AVAV}$ | Write Cycle Time                              |       | 100  |      | ns      |
| $t_{PHWL}$ | RP# High Recovery to WE# Going Low            | 2     | 1    |      | $\mu s$ |
| $t_{ELWL}$ | CE# Setup to WE# Going Low                    |       | 10   |      | ns      |
| $t_{WLWH}$ | WE# Pulse Width                               |       | 50   |      | ns      |
| $t_{PHWH}$ | RP# $V_{HH}$ Setup to WE# Going High          | 2     | 100  |      | ns      |
| $t_{SHWH}$ | WP# $V_{IH}$ Setup to WE# Going High          | 2     | 100  |      | ns      |
| $t_{VPWH}$ | $V_{PP}$ Setup to WE# Going High              | 2     | 100  |      | ns      |
| $t_{AVWH}$ | Address Setup to WE# Going High               | 3     | 50   |      | ns      |
| $t_{DVWH}$ | Data Setup to WE# Going High                  | 3     | 50   |      | ns      |
| $t_{WHDX}$ | Data Hold from WE# High                       |       | 0    |      | ns      |
| $t_{WHAX}$ | Address Hold from WE# High                    |       | 5    |      | ns      |
| $t_{WHEH}$ | CE# Hold from WE# High                        |       | 10   |      | ns      |
| $t_{WHWL}$ | WE# Pulse Width High                          |       | 30   |      | ns      |
| $t_{WHRL}$ | WE# High to RY/BY# Going Low                  |       |      | 100  | ns      |
| $t_{WHGL}$ | Write Recovery before Read                    |       | 0    |      | ns      |
| $t_{QVVL}$ | $V_{PP}$ Hold from Valid SRD, RY/BY# High     | 2,4   | 0    |      | ns      |
| $t_{QVPH}$ | RP# $V_{HH}$ Hold from Valid SRD, RY/BY# High | 2,4   | 0    |      | ns      |
| $t_{QVSL}$ | WP# $V_{IH}$ Hold from Valid SRD, RY/BY# High | 2,4   | 0    |      | ns      |
| $t_{FVWH}$ | BYTE# Setup to WE# Going High                 | 7     | 50   |      | ns      |
| $t_{WHEV}$ | BYTE# Hold from WE# High                      | 7     | 100  |      | ns      |

NOTE:

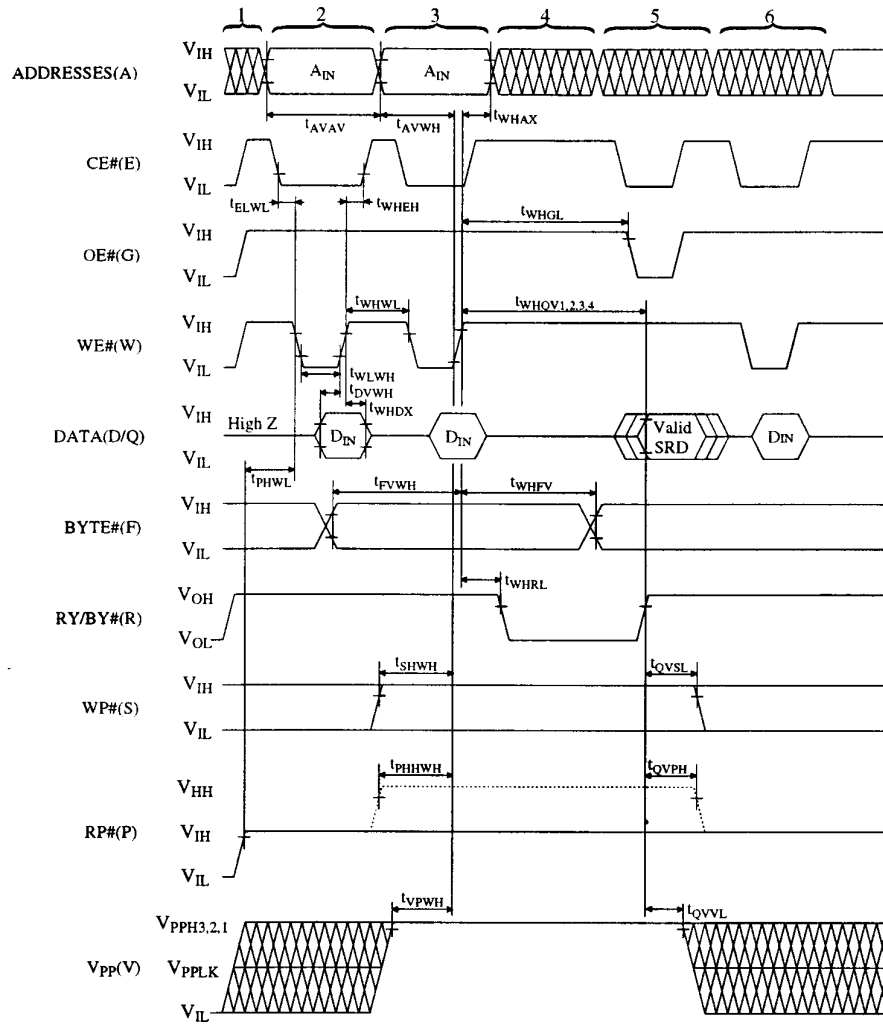
See 5.0V  $V_{CC}$  AC Characteristics - Write Operations for notes for notes 1 through 7.

$V_{CC}=5V\pm 0.5V, 5V\pm 0.25V, T_A=-40^{\circ}C$  to  $+85^{\circ}C$

| Sym.        | Parameter                                     | Notes | $V_{CC}=5V\pm 0.25V^{(5)}$ |      | $V_{CC}=5V\pm 0.5V^{(6)}$ |      | Unit    |
|-------------|-----------------------------------------------|-------|----------------------------|------|---------------------------|------|---------|
|             |                                               |       | Min.                       | Max. | Min.                      | Max. |         |
| $t_{AVAV}$  | Write Cycle Time                              |       | 85                         |      | 90                        |      | ns      |
| $t_{PHWL}$  | RP# High Recovery to WE# Going Low            | 2     | 1                          |      | 1                         |      | $\mu s$ |
| $t_{ELWL}$  | CE# Setup to WE# Going Low                    |       | 10                         |      | 10                        |      | ns      |
| $t_{WLWH}$  | WE# Pulse Width                               |       | 40                         |      | 40                        |      | ns      |
| $t_{PHHWH}$ | RP# $V_{HH}$ Setup to WE# Going High          | 2     | 100                        |      | 100                       |      | ns      |
| $t_{SHWH}$  | WP# $V_{IH}$ Setup to WE# Going High          | 2     | 100                        |      | 100                       |      | ns      |
| $t_{VPWH}$  | $V_{PP}$ Setup to WE# Going High              | 2     | 100                        |      | 100                       |      | ns      |
| $t_{AVWH}$  | Address Setup to WE# Going High               | 3     | 40                         |      | 40                        |      | ns      |
| $t_{DVWH}$  | Data Setup to WE# Going High                  | 3     | 40                         |      | 40                        |      | ns      |
| $t_{WHDX}$  | Data Hold from WE# High                       |       | 0                          |      | 0                         |      | ns      |
| $t_{WHAX}$  | Address Hold from WE# High                    |       | 5                          |      | 5                         |      | ns      |
| $t_{WHEH}$  | CE# Hold from WE# High                        |       | 10                         |      | 10                        |      | ns      |
| $t_{WHWL}$  | WE# Pulse Width High                          |       | 30                         |      | 30                        |      | ns      |
| $t_{WHRL}$  | WE# High to RY/BY# Going Low                  |       |                            | 90   |                           | 90   | ns      |
| $t_{WHGL}$  | Write Recovery before Read                    |       | 0                          |      | 0                         |      | ns      |
| $t_{QVVL}$  | $V_{PP}$ Hold from Valid SRD, RY/BY# High     | 2,4   | 0                          |      | 0                         |      | ns      |
| $t_{QVPH}$  | RP# $V_{HH}$ Hold from Valid SRD, RY/BY# High | 2,4   | 0                          |      | 0                         |      | ns      |
| $t_{QVSL}$  | WP# $V_{IH}$ Hold from Valid SRD, RY/BY# High | 2,4   | 0                          |      | 0                         |      | ns      |
| $t_{FVWH}$  | BYTE# Setup to WE# Going High                 | 7     | 40                         |      | 40                        |      | ns      |
| $t_{WHFV}$  | BYTE# Hold from WE# High                      | 7     | 85                         |      | 90                        |      | ns      |

NOTES:

1. Read timing characteristics during block erase and word/byte write operations are the same as during read-only operations. Refer to AC Characteristics for read-only operations.
2. Sampled, not 100% tested.
3. Refer to Table 4 for valid  $A_{IN}$  and  $D_{IN}$  for block erase or word/byte write.
4.  $V_{PP}$  should be held at  $V_{PPH1/2/3}$  (and if necessary RP# should be held at  $V_{HH}$ ) until determination of block erase or word/byte write success (SR.1/3/4/5=0).
5. See Transient Input/Output Reference Waveform and Transient Equivalent Testing Load Circuit (High Seed Configuration) for testing characteristics.
6. See Transient Input/Output Reference Waveform and Transient Equivalent Testing Load Circuit (Standard Configuration) for testing characteristics.
7. If BYTE# switch during reading cycle, exist the regulations separately. Please inquire with your local SHARP sales office.



**NOTES:**

1. V<sub>CC</sub> power-up and standby.
2. Write block erase or word/byte write setup.
3. Write block erase confirm or valid address and data.
4. Automated erase or program delay.
5. Read status register data.
6. Write Read Array command.

Figure 15. AC Waveform for WE#-Controlled Write Operations

## 6.2.6 ALTERNATIVE CE#-CONTROLLED WRITES<sup>(1)</sup>

$V_{CC}=2.7V-3.6V$ ,  $T_A=-40^{\circ}C$  to  $+85^{\circ}C$

| Sym.        | Parameter                                     | Notes | Min. | Max. | Unit    |
|-------------|-----------------------------------------------|-------|------|------|---------|
| $t_{AVAV}$  | Write Cycle Time                              |       | 120  |      | ns      |
| $t_{PHEL}$  | RP# High Recovery to CE# Going Low            | 2     | 1    |      | $\mu s$ |
| $t_{WLEL}$  | WE# Setup to CE# Going Low                    |       | 0    |      | ns      |
| $t_{ELEH}$  | CE# Pulse Width                               |       | 70   |      | ns      |
| $t_{PHHEH}$ | RP# $V_{HH}$ Setup to CE# Going High          | 2     | 100  |      | ns      |
| $t_{SHEH}$  | WP# $V_{IH}$ Setup to CE# Going High          | 2     | 100  |      | ns      |
| $t_{VPEH}$  | $V_{PP}$ Setup to CE# Going High              | 2     | 100  |      | ns      |
| $t_{AVEH}$  | Address Setup to CE# Going High               | 3     | 50   |      | ns      |
| $t_{DVEH}$  | Data Setup to CE# Going High                  | 3     | 50   |      | ns      |
| $t_{EHDX}$  | Data Hold from CE# High                       |       | 0    |      | ns      |
| $t_{EHAX}$  | Address Hold from CE# High                    |       | 5    |      | ns      |
| $t_{EHWH}$  | WE# Hold from CE# High                        |       | 0    |      | ns      |
| $t_{EHEL}$  | CE# Pulse Width High                          |       | 25   |      | ns      |
| $t_{EHRL}$  | CE# High to RY/BY# Going Low                  |       |      | 100  | ns      |
| $t_{EHGL}$  | Write Recovery before Read                    |       | 0    |      | ns      |
| $t_{QVVL}$  | $V_{PP}$ Hold from Valid SRD, RY/BY# High     | 2,4   | 0    |      | ns      |
| $t_{QVPH}$  | RP# $V_{HH}$ Hold from Valid SRD, RY/BY# High | 2,4   | 0    |      | ns      |
| $t_{QVSL}$  | WP# $V_{IH}$ Hold from Valid SRD, RY/BY# High | 2,4   | 0    |      | ns      |
| $t_{FVEH}$  | BYTE# Setup to CE# Going High                 | 7     | 50   |      | ns      |
| $t_{EHFV}$  | BYTE# Hold from CE# High                      | 7     | 120  |      | ns      |

NOTE:

See 5.0V  $V_{CC}$  Alternative CE#-Controlled Writes for notes 1 through 7.

$V_{CC}=3.3V\pm 0.3V, T_A=-40^{\circ}C \text{ to } +85^{\circ}C$ 

| Sym.        | Parameter                                     | Notes | Min. | Max. | Unit    |
|-------------|-----------------------------------------------|-------|------|------|---------|
| $t_{AVAV}$  | Write Cycle Time                              |       | 100  |      | ns      |
| $t_{PHEL}$  | RP# High Recovery to CE# Going Low            | 2     | 1    |      | $\mu s$ |
| $t_{WLEL}$  | WE# Setup to CE# Going Low                    |       | 0    |      | ns      |
| $t_{ELEH}$  | CE# Pulse Width                               |       | 70   |      | ns      |
| $t_{PHHEH}$ | RP# $V_{HH}$ Setup to CE# Going High          | 2     | 100  |      | ns      |
| $t_{SHEH}$  | WP# $V_{IH}$ Setup to CE# Going High          | 2     | 100  |      | ns      |
| $t_{VPEH}$  | $V_{PP}$ Setup to CE# Going High              | 2     | 100  |      | ns      |
| $t_{AVEH}$  | Address Setup to CE# Going High               | 3     | 50   |      | ns      |
| $t_{DVEH}$  | Data Setup to CE# Going High                  | 3     | 50   |      | ns      |
| $t_{EHDX}$  | Data Hold from CE# High                       |       | 0    |      | ns      |
| $t_{EHAX}$  | Address Hold from CE# High                    |       | 5    |      | ns      |
| $t_{EHWH}$  | WE# Hold from CE# High                        |       | 0    |      | ns      |
| $t_{EHEL}$  | CE# Pulse Width High                          |       | 25   |      | ns      |
| $t_{EHRL}$  | CE# High to RY/BY# Going Low                  |       |      | 100  | ns      |
| $t_{EHGL}$  | Write Recovery before Read                    |       | 0    |      | ns      |
| $t_{QVVL}$  | $V_{PP}$ Hold from Valid SRD, RY/BY# High     | 2,4   | 0    |      | ns      |
| $t_{QVPH}$  | RP# $V_{HH}$ Hold from Valid SRD, RY/BY# High | 2,4   | 0    |      | ns      |
| $t_{QVSL}$  | WP# $V_{IH}$ Hold from Valid SRD, RY/BY# High | 2,4   | 0    |      | ns      |
| $t_{FEVEH}$ | BYTE# Setup to CE# Going High                 | 7     | 50   |      | ns      |
| $t_{FEFEV}$ | BYTE# Hold from CE# High                      | 7     | 100  |      | ns      |

## NOTE:

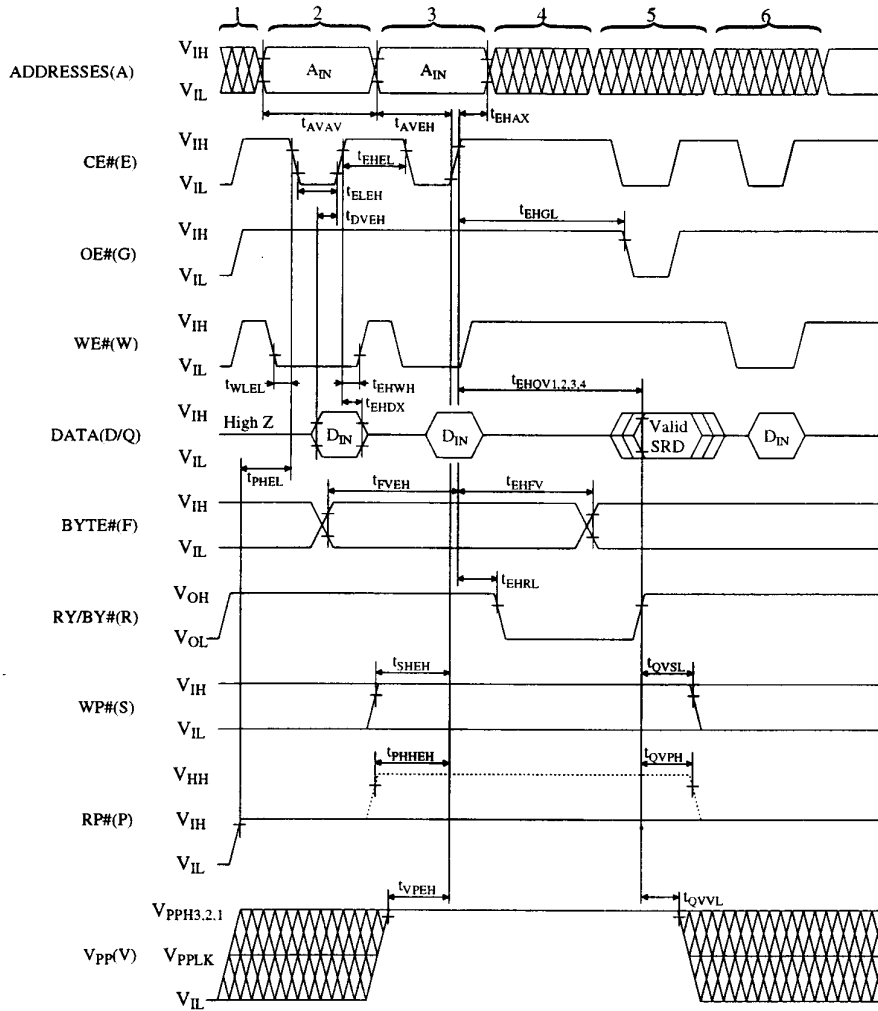
See 5V  $V_{CC}$  Alternative CE#-Controlled Writes for Notes 1 through 7.

$V_{CC}=5V\pm 0.5V$ ,  $5V\pm 0.25V$ ,  $T_A=-40^{\circ}C$  to  $+85^{\circ}C$

| Sym.        | Parameter                                     | Notes | $V_{CC}=5V\pm 0.25V^{(5)}$ |      | $V_{CC}=5V\pm 0.5V^{(6)}$ |      | Unit    |
|-------------|-----------------------------------------------|-------|----------------------------|------|---------------------------|------|---------|
|             |                                               |       | Min.                       | Max. | Min.                      | Max. |         |
| $t_{AVAV}$  | Write Cycle Time                              |       | 85                         |      | 90                        |      | ns      |
| $t_{PHEL}$  | RP# High Recovery to CE# Going Low            | 2     | 1                          |      | 1                         |      | $\mu s$ |
| $t_{WLEL}$  | WE# Setup to CE# Going Low                    |       | 0                          |      | 0                         |      | ns      |
| $t_{ELEH}$  | CE# Pulse Width                               |       | 50                         |      | 50                        |      | ns      |
| $t_{PHHEH}$ | RP# $V_{HH}$ Setup to CE# Going High          | 2     | 100                        |      | 100                       |      | ns      |
| $t_{SHEH}$  | WP# $V_{IH}$ Setup to CE# Going High          | 2     | 100                        |      | 100                       |      | ns      |
| $t_{VPEH}$  | $V_{pp}$ Setup to CE# Going High              | 2     | 100                        |      | 100                       |      | ns      |
| $t_{AVEH}$  | Address Setup to CE# Going High               | 3     | 40                         |      | 40                        |      | ns      |
| $t_{DVEH}$  | Data Setup to CE# Going High                  | 3     | 40                         |      | 40                        |      | ns      |
| $t_{EHDX}$  | Data Hold from CE# High                       |       | 0                          |      | 0                         |      | ns      |
| $t_{EHAX}$  | Address Hold from CE# High                    |       | 5                          |      | 5                         |      | ns      |
| $t_{EHWH}$  | WE# Hold from CE# High                        |       | 0                          |      | 0                         |      | ns      |
| $t_{EHEL}$  | CE# Pulse Width High                          |       | 25                         |      | 25                        |      | ns      |
| $t_{EHRL}$  | CE# High to RY/BY# Going Low                  |       |                            | 90   |                           | 90   | ns      |
| $t_{EHGL}$  | Write Recovery before Read                    |       | 0                          |      | 0                         |      | ns      |
| $t_{QVVL}$  | $V_{pp}$ Hold from Valid SRD, RY/BY# High     | 2,4   | 0                          |      | 0                         |      | ns      |
| $t_{QVPH}$  | RP# $V_{HH}$ Hold from Valid SRD, RY/BY# High | 2,4   | 0                          |      | 0                         |      | ns      |
| $t_{QVSL}$  | WP# $V_{IH}$ Hold from Valid SRD, RY/BY# High | 2,4   | 0                          |      | 0                         |      | ns      |
| $t_{FVEH}$  | BYTE# Setup to CE# Going High                 | 7     | 40                         |      | 40                        |      | ns      |
| $t_{EHFV}$  | BYTE# Hold from CE# High                      | 7     | 85                         |      | 90                        |      | ns      |

NOTES:

1. In systems where CE# defines the write pulse width (within a longer WE# timing waveform), all setup, hold, and inactive WE# times should be measured relative to the CE# waveform.
2. Sampled, not 100% tested.
3. Refer to Table 4 for valid  $A_{IN}$  and  $D_{IN}$  for block erase or word/byte write.
4.  $V_{pp}$  should be held at  $V_{ppH1/2/3}$  (and if necessary RP# should be held at  $V_{HH}$ ) until determination of block erase or word/byte write success (SR.1/3/4/5=0).
5. See Transient Input/Output Reference Waveform and Transient Equivalent Testing Load Circuit (High Seed Configuration) for testing characteristics.
6. See Transient Input/Output Reference Waveform and Transient Equivalent Testing Load Circuit (Standard Configuration) for testing characteristics.
7. If BYTE# switch during reading cycle, exist the regulations separately. Please inquire with your local SHARP sales office.



**NOTES:**

1. V<sub>CC</sub> power-up and standby.
2. Write block erase or word/byte write setup.
3. Write block erase confirm or valid address and data.
4. Automated erase or program delay.
5. Read status register data.
6. Write Read Array command.

Figure 16. AC Waveform for CE#-Controlled Write Operations

## 6.2.7 RESET OPERATIONS

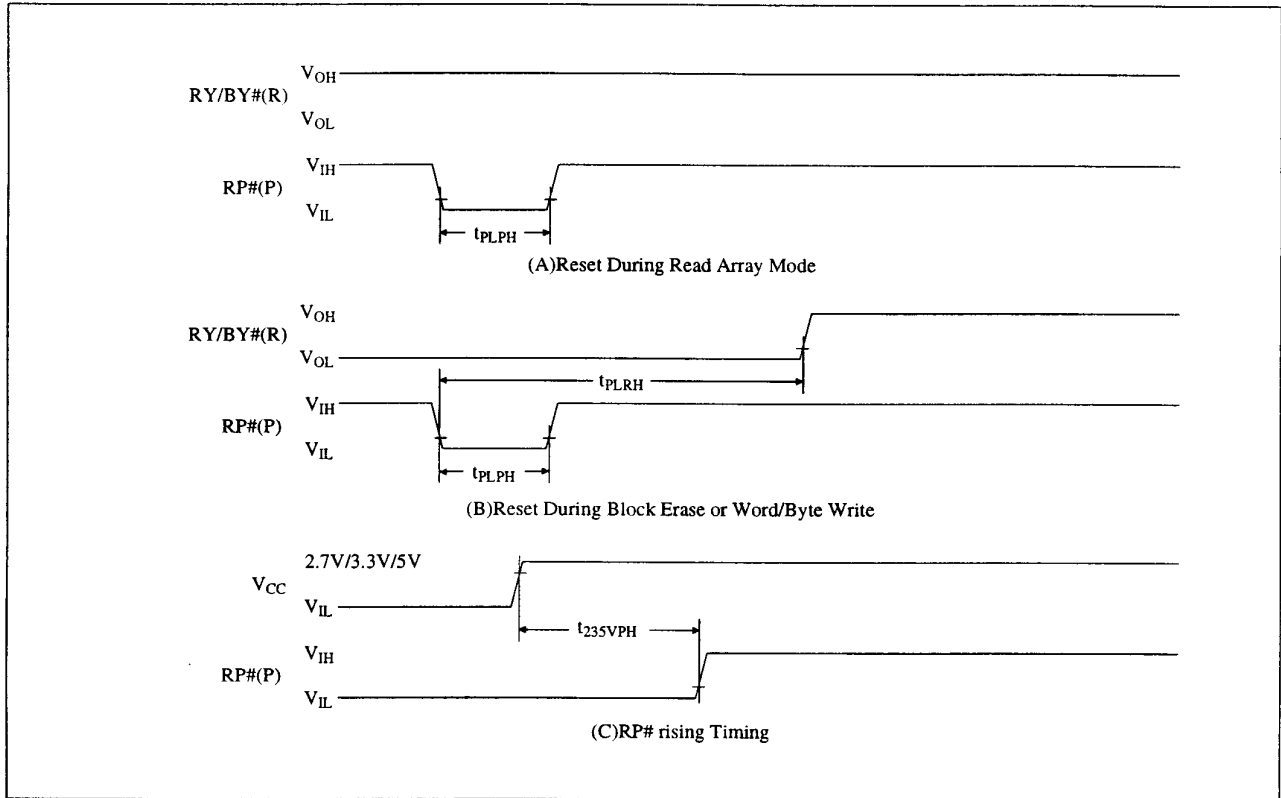


Figure 17. AC Waveform for Reset Operation

### Reset AC Specifications

| Sym.                | Parameter                                                                                                | Notes | V <sub>CC</sub> =2.7V-3.6V |      | V <sub>CC</sub> =3.0V-3.6V |      | V <sub>CC</sub> =4.5V-5.5V |      | Unit |
|---------------------|----------------------------------------------------------------------------------------------------------|-------|----------------------------|------|----------------------------|------|----------------------------|------|------|
|                     |                                                                                                          |       | Min.                       | Max. | Min.                       | Max. | Min.                       | Max. |      |
| t <sub>PLPH</sub>   | RP# Pulse Low Time<br>(If RP# is tied to V <sub>CC</sub> , this specification is not applicable)         |       | 100                        |      | 100                        |      | 100                        |      | ns   |
| t <sub>PLRH</sub>   | RP# Low to Reset during Block Erase or Word/Byte Write                                                   | 1,2   |                            | 22   |                            | 20   |                            | 12   | μs   |
| t <sub>235VPH</sub> | V <sub>CC</sub> 2.7V to RP# High<br>V <sub>CC</sub> 3.0V to RP# High<br>V <sub>CC</sub> 4.5V to RP# High | 3     | 100                        |      | 100                        |      | 100                        |      | ns   |

NOTES:

1. If RP# is asserted while a block erase or word/byte write operation is not executing, the reset will complete within 100ns.
2. A reset time, t<sub>PHQV</sub>, is required from the later of RY/BY# or RP# going high until outputs are valid.
3. When the device power-up, holding RP# low minimum 100ns is required after V<sub>CC</sub> has been in predefined range and also has been in stable there.



### 6.2.8 BLOCK ERASE AND WORD/BYTE WRITE PERFORMANCE<sup>(3)</sup>

$V_{CC}=2.7V-3.6V, T_A=-40^{\circ}C$  to  $+85^{\circ}C$

| Sym.                       | Parameter                                    |                | Notes | $V_{PP}=2.7V-3.6V$ |                     |      | $V_{PP}=4.5V-5.5V$ |                     |      | $V_{PP}=11.4V-12.6V$ |                     |      | Unit    |
|----------------------------|----------------------------------------------|----------------|-------|--------------------|---------------------|------|--------------------|---------------------|------|----------------------|---------------------|------|---------|
|                            |                                              |                |       | Min.               | Typ. <sup>(1)</sup> | Max. | Min.               | Typ. <sup>(1)</sup> | Max. | Min.                 | Typ. <sup>(1)</sup> | Max. |         |
| $t_{WHQV1}$<br>$t_{EHQV1}$ | Word/Byte Write Time                         | 32K word Block | 2     |                    | 44.6                |      |                    | 17.7                |      |                      | 12.6                |      | $\mu s$ |
|                            |                                              | 4K word Block  | 2     |                    | 45.9                |      |                    | 26.1                |      |                      | 24.5                |      | $\mu s$ |
|                            | Block Write Time                             | 32K word Block | 2,4   |                    | 1.46                |      |                    | 0.58                |      |                      | 0.42                |      | s       |
|                            |                                              | 4K word Block  | 2,4   |                    | 0.19                |      |                    | 0.11                |      |                      | 0.11                |      | s       |
| $t_{WHQV2}$<br>$t_{EHQV2}$ | Block Erase Time                             | 32K word Block | 2     |                    | 1.14                |      |                    | 0.61                |      |                      | 0.51                |      | s       |
|                            |                                              | 4K word Block  | 2     |                    | 0.38                |      |                    | 0.32                |      |                      | 0.31                |      | s       |
| $t_{WHRH1}$<br>$t_{EHRH1}$ | Word/Byte Write Suspend Latency Time to Read |                |       |                    | 7                   | 8    |                    | 6                   | 8    |                      | 6                   | 7    | $\mu s$ |
| $t_{WHRH2}$<br>$t_{EHRH2}$ | Erase Suspend Latency Time to Read           |                |       |                    | 18                  | 22   |                    | 11                  | 14   |                      | 11                  | 14   | $\mu s$ |

NOTE:

See 5V  $V_{CC}$  Block-Erase and Word/Byte Write Performance for Notes 1 through 4.

$V_{CC}=3.3V\pm 0.3V, T_A=-40^{\circ}C$  to  $+85^{\circ}C$

| Sym.                       | Parameter                                    |                | Notes | $V_{PP}=3.0V-3.6V$ |                     |      | $V_{PP}=4.5V-5.5V$ |                     |      | $V_{PP}=11.4V-12.6V$ |                     |      | Unit    |
|----------------------------|----------------------------------------------|----------------|-------|--------------------|---------------------|------|--------------------|---------------------|------|----------------------|---------------------|------|---------|
|                            |                                              |                |       | Min.               | Typ. <sup>(1)</sup> | Max. | Min.               | Typ. <sup>(1)</sup> | Max. | Min.                 | Typ. <sup>(1)</sup> | Max. |         |
| $t_{WHQV1}$<br>$t_{EHQV1}$ | Word/Byte Write Time                         | 32K word Block | 2     |                    | 44                  |      |                    | 17.3                |      |                      | 12.3                |      | $\mu s$ |
|                            |                                              | 4K word Block  | 2     |                    | 45                  |      |                    | 25.6                |      |                      | 24                  |      | $\mu s$ |
|                            | Block Write Time                             | 32K word Block | 2,4   |                    | 1.44                |      |                    | 0.57                |      |                      | 0.41                |      | s       |
|                            |                                              | 4K word Block  | 2,4   |                    | 0.19                |      |                    | 0.11                |      |                      | 0.1                 |      | s       |
| $t_{WHQV2}$<br>$t_{EHQV2}$ | Block Erase Time                             | 32K word Block | 2     |                    | 1.11                |      |                    | 0.59                |      |                      | 0.5                 |      | s       |
|                            |                                              | 4K word Block  | 2     |                    | 0.37                |      |                    | 0.31                |      |                      | 0.3                 |      | s       |
| $t_{WHRH1}$<br>$t_{EHRH1}$ | Word/Byte Write Suspend Latency Time to Read |                |       |                    | 6                   | 7    |                    | 5                   | 7    |                      | 5                   | 6    | $\mu s$ |
| $t_{WHRH2}$<br>$t_{EHRH2}$ | Erase Suspend Latency Time to Read           |                |       |                    | 16.2                | 20   |                    | 9.6                 | 12   |                      | 9.6                 | 12   | $\mu s$ |

NOTE:

See 5V  $V_{CC}$  Block Erase and Word/Byte Write Performance for Notes 1 through 4.

$V_{CC}=5V\pm 0.5V, 5V\pm 0.25V, T_A=-40^{\circ}C$  to  $+85^{\circ}C$

| Sym.                       | Parameter                                    | Notes          | $V_{PP}=4.5V-5.5V$ |                     |      | $V_{PP}=11.4V-12.6V$ |                     |      | Unit    |
|----------------------------|----------------------------------------------|----------------|--------------------|---------------------|------|----------------------|---------------------|------|---------|
|                            |                                              |                | Min.               | Typ. <sup>(1)</sup> | Max. | Min.                 | Typ. <sup>(1)</sup> | Max. |         |
| $t_{WHQV1}$                | Word/Byte Write Time                         | 32K word Block | 2                  | 12.2                |      |                      | 8.4                 |      | $\mu s$ |
| $t_{EHQV1}$                |                                              | 4K word Block  | 2                  | 18.3                |      |                      | 17                  |      | $\mu s$ |
|                            | Block Write Time                             | 32K word Block | 2,4                | 0.4                 |      |                      | 0.28                |      | s       |
|                            |                                              | 4K word Block  | 2,4                | 0.08                |      |                      | 0.07                |      | s       |
| $t_{WHQV2}$                | Block Erase Time                             | 32K word Block | 2                  | 0.46                |      |                      | 0.39                |      | s       |
| $t_{EHQV2}$                |                                              | 4K word Block  | 2                  | 0.26                |      |                      | 0.25                |      | s       |
| $t_{WHRH1}$<br>$t_{EHRH1}$ | Word/Byte Write Suspend Latency Time to Read |                |                    | 5                   | 6    |                      | 4                   | 5    | $\mu s$ |
| $t_{WHRH2}$<br>$t_{EHRH2}$ | Erase Suspend Latency Time to Read           |                |                    | 9.6                 | 12   |                      | 9.6                 | 12   | $\mu s$ |

NOTES:

1. Typical values measured at  $T_A=+25^{\circ}C$  and nominal voltages. Subject to change based on device characterization.
2. Excludes system-level overhead.
3. Sampled but not 100% tested.
4. All values are in word mode (BYTE#=V<sub>IH</sub>). At byte mode (BYTE#=V<sub>IL</sub>), those values are double.

**7 Package and packing specification**

**1. Package Outline Specification**

Refer to drawing No. AA 1 1 4 2

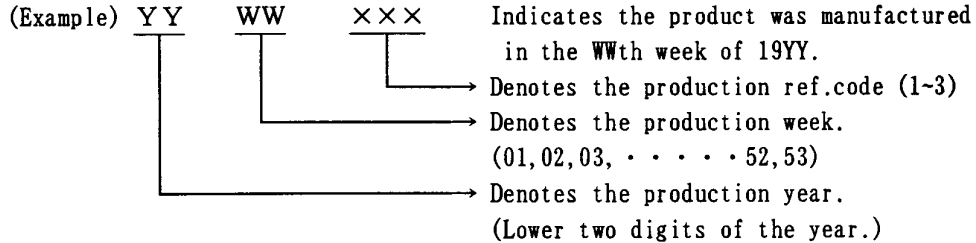
**2. Markings**

**2-1. Marking contents**

(1) Product name : LH28F400BVHE-BL85

(2) Company name : SHARP

(3) Date code



(4) The marking of "JAPAN" indicates the country of origin.

**2-2. Marking layout**

Refer drawing No. AA 1 1 4 2

(This layout does not define the dimensions of marking character and marking position.)

**3. Packing Specification (Dry packing for surface mount packages)**

Dry packing is used for the purpose of maintaining IC quality after mounting packages on the PCB (Printed Circuit Board).

When the epoxy resin which is used for plastic packages is stored at high humidity, it may absorb 0.15% or more of its weight in moisture. If the surface mount type package for a relatively large chip absorbs a large amount of moisture between the epoxy resin and insert material (e.g. chip, lead frame) this moisture may suddenly vaporize into steam when the entire package is heated during the soldering process (e.g. VPS). This causes expansion and results in separation between the resin and insert material, and sometimes cracking of the package. This dry packing is designed to prevent the above problem from occurring in surface mount packages.

**3-1. Packing Materials**

| Material Name          | Material Specificaiton              | Purpose                                                 |
|------------------------|-------------------------------------|---------------------------------------------------------|
| Tray                   | Conductive plastic (50devices/tray) | Fixing of device                                        |
| Upper cover tray       | Conductive plastic (1tray/case)     | Fixing of device                                        |
| Laminated aluminum bag | Aluminum polyethylene (1bag/case)   | Drying of device                                        |
| Desiccant              | Silica gel                          | Drying of device                                        |
| P P band               | Polypropylene (3pcs/case)           | Fixing of tray                                          |
| Inner case             | Card board (500device/case)         | Packaging of device                                     |
| Label                  | Paper                               | Indicates part number, quantity and date of manufacture |
| Outer case             | Card board                          | Outer packing of tray                                   |

(Devices shall be placed into a tray in the same direction.)

## 3-2. Outline dimension of tray

Refer to attached drawing

## 4. Storage and Opening of Dry Packing

## 4-1. Store under conditions shown below before opening the dry packing

- (1) Temperature range : 5~40°C
- (2) Humidity : 80% RH or less

## 4-2. Notes on opening the dry packing

- (1) Before opening the dry packing, prepare a working table which is grounded against ESD and use a grounding strap.
- (2) The tray has been treated to be conductive or anti-static. If the device is transferred to another tray, use a equivalent tray.

## 4-3. Storage after opening the dry packing

Perform the following to prevent absorption of moisture after opening.

- (1) After opening the dry packing, store the ICs in an environment with a temperature of 5~25°C and a relative humidity of 60% or less and mount ICs within 72 hours after opening dry packing.

## 4-4. Baking (drying) before mounting

- (1) Baking is necessary
  - (A) If the humidity indicator in the desiccant becomes pink
  - (B) If the procedure in section 4-3 could not be performed
- (2) Recommended baking conditions
 

If the above conditions (A) and (B) are applicable, bake it before mounting. The recommended conditions are 16-24 hours at 120°C.  
Heat resistance tray is used for shipping tray.

## 5. Surface Mount Conditions

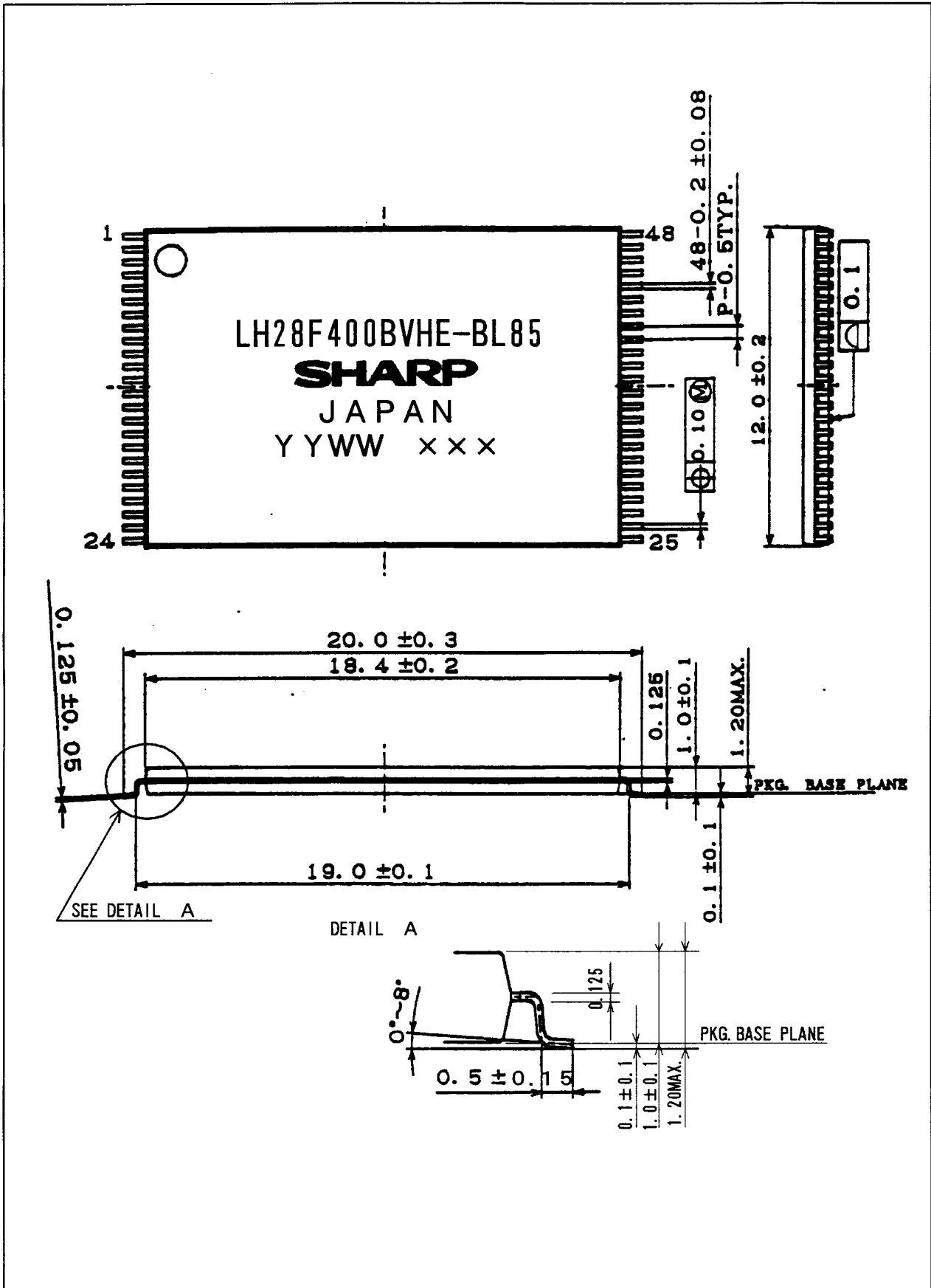
Please perform the following conditions when mounting ICs not to deteriorate IC quality.

## 5-1. Soldering conditions (The following conditions are valid only for one time soldering.)

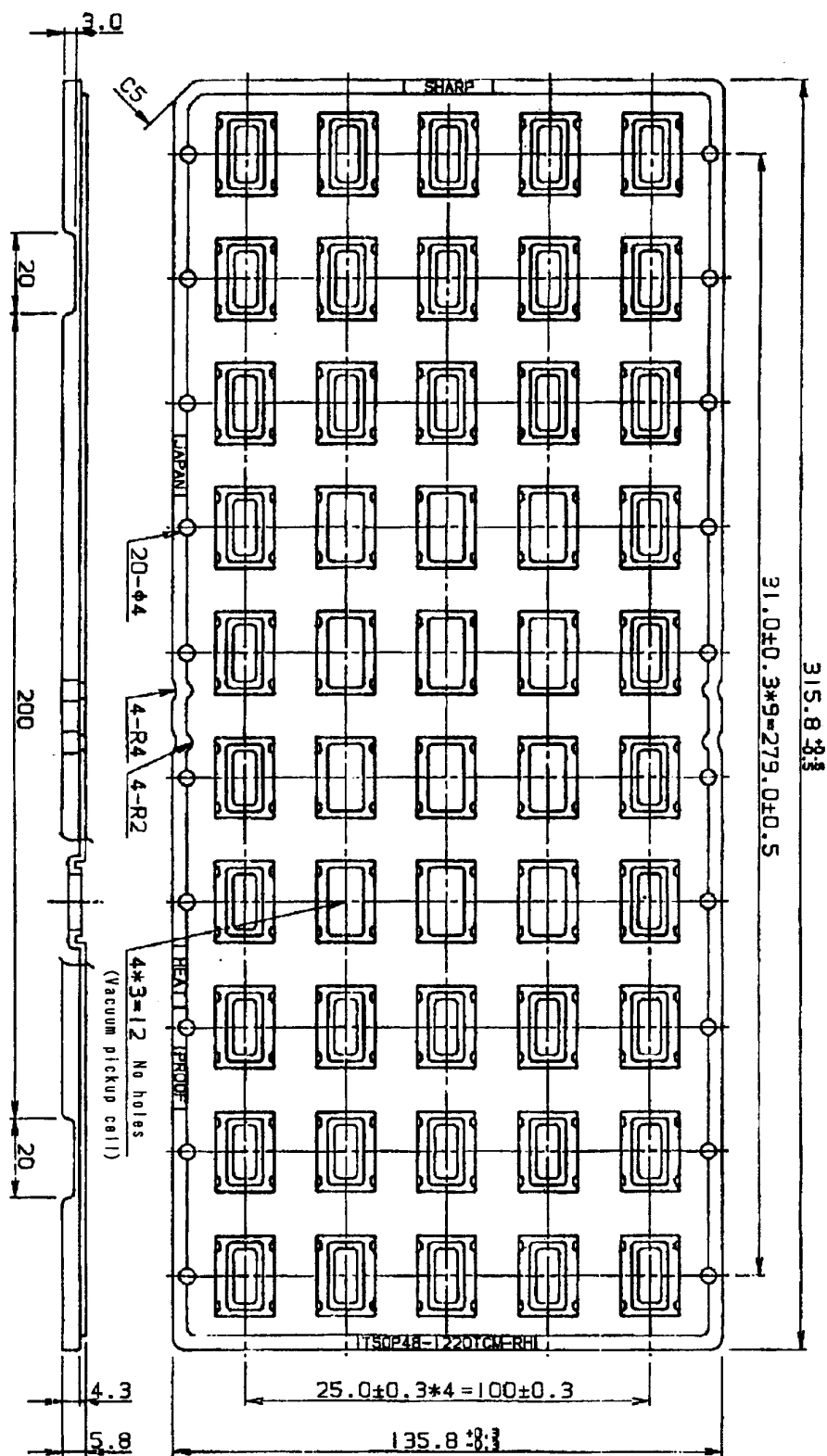
| Mounting Method                      | Temperature and Duration                                                                                                                                                 | Measurement Point        |
|--------------------------------------|--------------------------------------------------------------------------------------------------------------------------------------------------------------------------|--------------------------|
| Reflow soldering<br>(air)            | Peak temperature of 230°C or less,<br>duration of less than 15 seconds.<br>200°C or over, duration of less than 40 seconds.<br>Temperature increase rate of 1~4°C/second | IC package<br>surface    |
| Manual soldering<br>(soldering iron) | 260°C or less, duration of less<br>than 10 seconds.                                                                                                                      | IC outer lead<br>surface |

## 5-2. Conditions for removal of residual flux

- (1) Ultrasonic washing power : 25 Watts/liter or less
- (2) Washing time : Total 1 minute maximum
- (3) Solvent temperature : 15~40°C



|             |               |                      |                     |            |                                                                                         |
|-------------|---------------|----------------------|---------------------|------------|-----------------------------------------------------------------------------------------|
| 名称<br>NAME  | TSOP48-P-1220 | リード仕上<br>LEAD FINISH | TIN-LEAD<br>PLATING | 備考<br>NOTE | プラスチックパッケージ外形寸法は、バリを含まないものとする。<br>Plastic body dimensions do not include burr of resin. |
| DRAWING NO. | AA1142        | 単位<br>UNIT           | mm                  |            |                                                                                         |



名称  
NAME TSOP48-1220TCM-RH

備考  
NOTE

|             |       |            |    |
|-------------|-------|------------|----|
| DRAWING NO. | CV756 | 単位<br>UNIT | mm |
|-------------|-------|------------|----|

Flash memory LHF40VXX family Data Protection (TSOP package, CSP package)

Noises having a level exceeding the limit specified in the specification may be generated under specific operating conditions on some systems.

Such noises, when induced onto WE# signal or power supply, may be interpreted as false commands, causing undesired memory updating.

To protect the data stored in the flash memory against unwanted overwriting, systems operating with the flash memory should have the following write protect designs, as appropriate:

1) Protecting data in specific block

By setting a WP# to low, only the boot block can be protected against overwriting. Parameter and main blocks cannot be locked.

System program, etc., can be locked by storing them in the boot block.

When a high voltage is applied to RP#, overwrite operation is enabled for all blocks.

For further information on controlling of WP# and RP#, refer to the specification.

(See chapter 4.10)

2) Data protection through Vpp

When the level of Vpp is lower than VPPLK (lockout voltage), write operation on the flash memory is disabled. All blocks are locked and the data in the blocks are completely write protected.

For the lockout voltage, refer to the specification. (See chapter 4.10 and 6.2.3.)

3) Data protection through RP#

When the RP# is kept low during read mode, the flash memory will be deep-power-down mode, then write protecting all blocks.

When the RP# is kept low during power up and power down sequence such as voltage transition, write operation on the flash memory is disabled, write protecting all blocks.

For the details of RP# control, refer to the specification. (See chapter 5.6 and 6.2.7.)

4) Noise rejection of WE#

Consider noise rejection of WE# in order to prevent false write command input.

flash, non-volatile, memory, boot block, LH28F400BVHE-BL85