

High-Speed Quad Monolithic SPST CMOS Analog Switch

Features

- Fast Switching t_{ON} : 55 ns
- Low Charge Injection: 5 pC
- Low $r_{DS(on)}$: 32 Ω
- TTL/CMOS Compatible
- Low Leakage: 50 pA

Benefits

- Fast Settling Times
- Reduced Switching Glitches
- High Precision

Applications

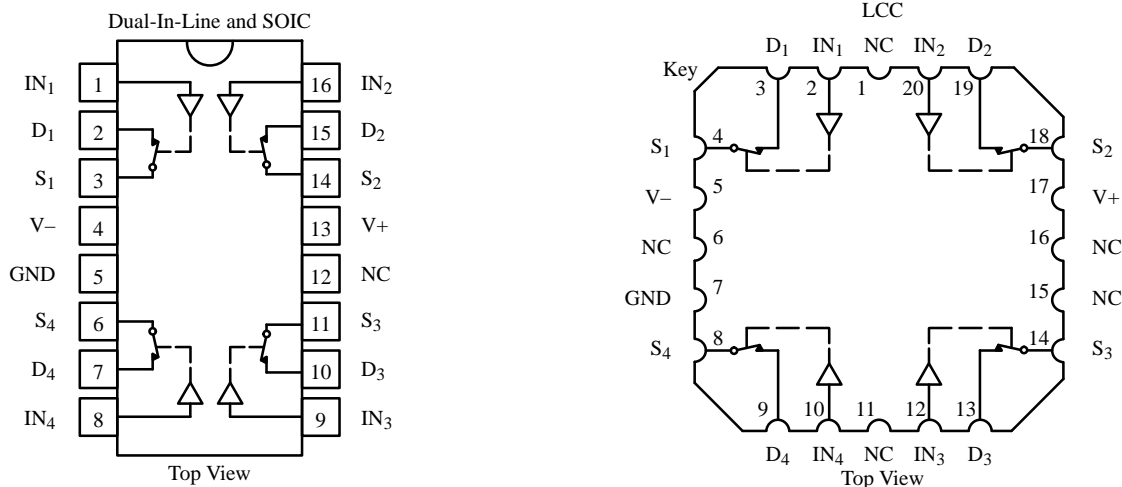
- High Speed Switching
- Sample/Hold
- Digital Filters
- Op Amp Gain Switching
- Flight Control Systems
- Automatic Test Equipment
- Choppers
- Communication Systems

Description

The DG271 high speed quad single-pole single-throw analog switch is intended for applications that require low on-resistance, low leakage currents, and fast switching speeds.

Built on Siliconix' proprietary high voltage silicon gate process to achieve superior on/off performance, each switch conducts equally well in both directions when on, and blocks up to the supply voltage when off. An epitaxial layer prevents latchup.

Functional Block Diagram and Pin Configuration



Truth Table

Logic	Switch
0	ON
1	OFF

Logic "0" ≤ 0.8 V
Logic "1" ≥ 2.0 V

Updates to this data sheet may be obtained via facsimile by calling Siliconix FaxBack, 1-408-970-5600. Please request FaxBack document #70043.

Ordering Information

Temp Range	Package	Part Number
0 to 70°C	16-Pin Plastic DIP	DG271CJ
-40 to 85°C	16-Pin Narrow SOIC	DG271DY
-55 to 125°C	16-Pin CerDIP	DG271AK
		DG271AK/883
		5962-8671602MEA
	LCC-20	DG271AZ/883
		5962-8671602M2A

Absolute Maximum Ratings

V+ to V-	44 V
GND to V-	25 V
Digital Inputs ^a V _S , V _D	(V-) -2 V to (V+) +2 V or 20 mA, whichever occurs first
Current, Any Terminal	30 mA
Peak Current, S or D (Pulsed at 1 ms, 10% duty cycle max)	100 mA
Storage Temperature (AK, AZ, DY Suffix)	-65 to 150°C
(CJ Suffix)	-65 to 125°C
Power Dissipation (Package) ^b	
16-Pin Plastic DIP ^c	470 mW
16-Pin Plastic Narrow SOIC ^d	600 mW
16-Pin CerDIP ^e	900 mW
LCC-20 ^f	750 mW

Notes:

- Signals on S_X, D_X, or I_{NX} exceeding V+ or V- will be clamped by internal diodes. Limit forward diode current to maximum current ratings.
- All leads welded or soldered to PC Board.
- Derate 6.5 mW/°C above 75°C
- Derate 7.6 mW/°C above 75°C
- Derate 12 mW/°C above 75°C
- Derate 10 mW/°C above 75°C

Schematic Diagram (Typical Channel)

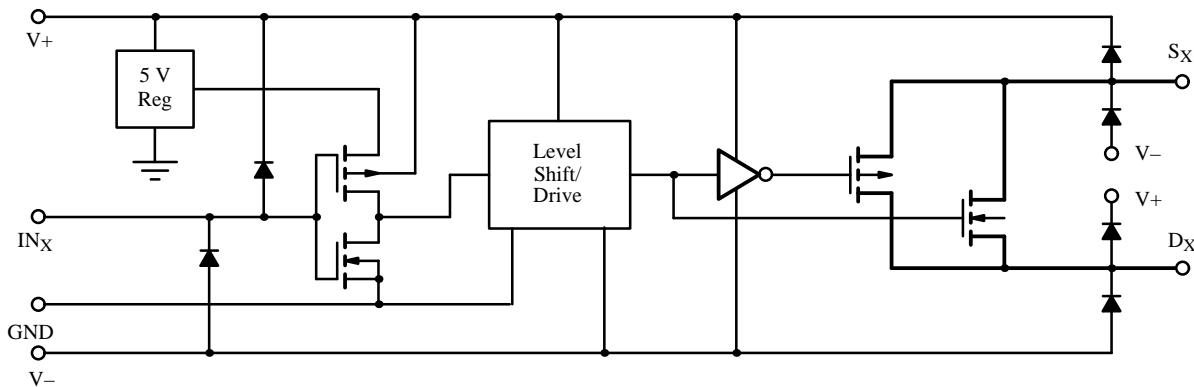


Figure 1.

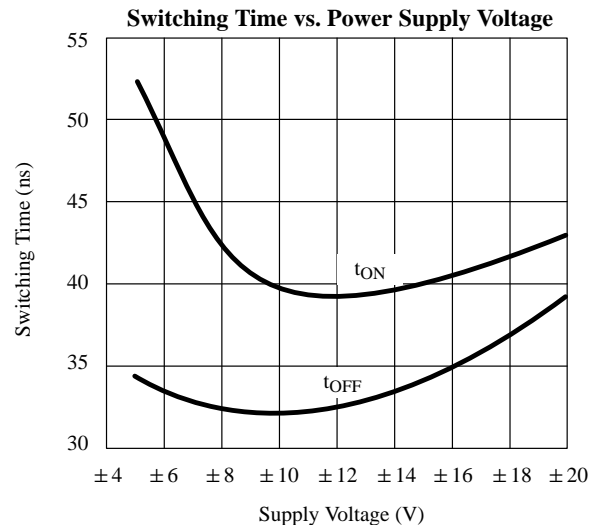
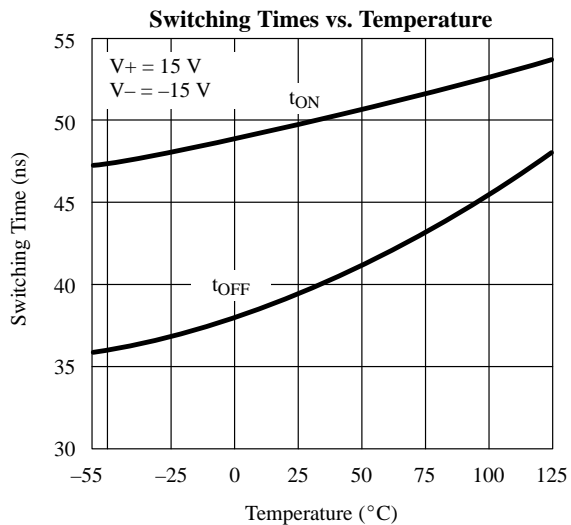
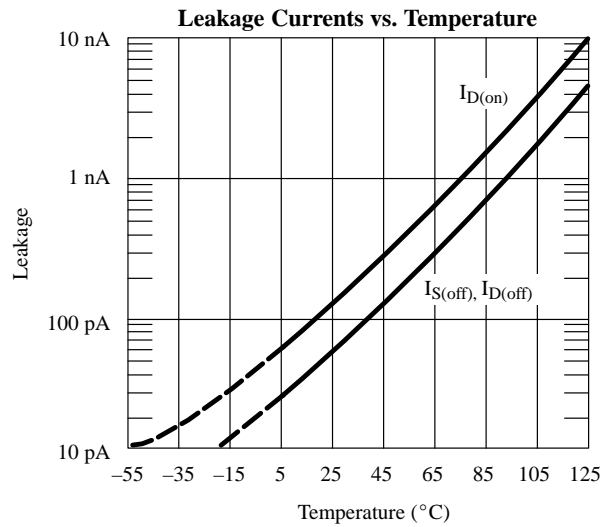
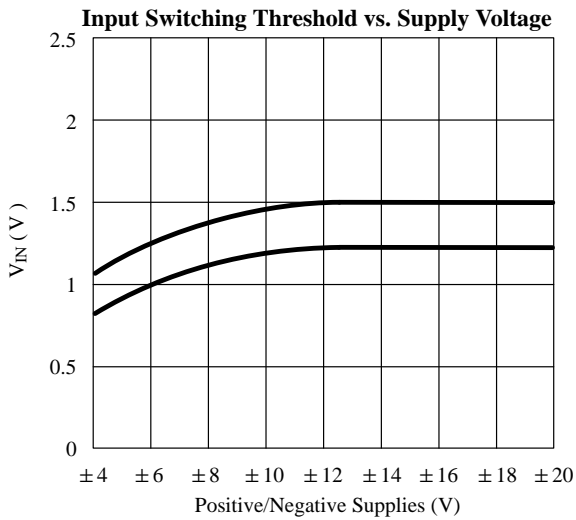
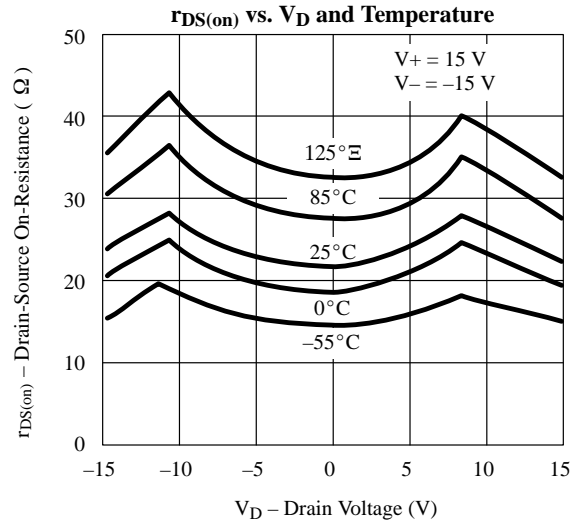
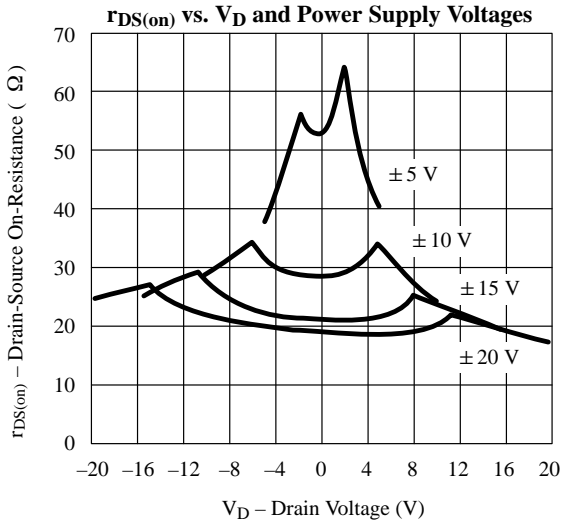
Specifications^a

Parameter	Symbol	Conditions Unless Otherwise Specified $V_+ = 15\text{ V}$, $V_- = -15\text{ V}$ $V_{IN} = 2.4\text{ V}$, 0.8 V^f	Temp ^b	Typ ^c	A Suffix -55 to 125°C		C, D Suffix 0 to 70°C -40 to 85°C		Unit
					Min ^d	Max ^d	Min ^d	Max ^d	
Analog Switch									
Analog Signal Range ^e	V_{ANALOG}		Full		-15	15	-15	15	V
Drain-Source On-Resistance	$r_{DS(on)}$	$I_S = 1\text{ mA}$, $V_D = \pm 10\text{ V}$	Room Full	32		50 75		50 75	Ω
Switch Off Leakage Current	$I_{S(off)}$	$V_D = \pm 14\text{ V}$, $V_S = \mp 14\text{ V}$	Room Full	± 0.05	-1 -60	1 60	-1 -20	1 20	nA
	$I_{D(off)}$		Room Full	± 0.05	-1 -60	1 60	-1 -20	1 20	
Channel On Leakage Current	$I_{D(on)} + I_{S(on)}$	$V_S = V_D = \pm 14\text{ V}$	Room Full	± 0.05	-1 -60	1 60	-1 -20	1 20	
Digital Control									
Input Current with Voltage High	I_{INH}	$V_{IN} = 2\text{ V}$	Full	0.010	-1	1	-1	1	μA
		$V_{IN} = 15\text{ V}$	Full	0.010	-1	1	-1	1	
Input Current with Voltage Low	I_{INL}	$V_{IN} = 0\text{ V}$	Full	0.010	-1	1	-1	1	
Dynamic Characteristics									
Turn-On Time	t_{ON}	$V_S = \pm 10\text{ V}$ See Figure 2	Room Full	55		65 80		65 80	ns
Turn-Off Time	t_{OFF}		Room Full	50		65 80		65 80	
Charge Injection	Q	$C_L = 1\text{ nF}$, $V_S = 0\text{ V}$ $V_{gen} = 0\text{ V}$, $R_{gen} = 0\text{ }\Omega$ See Figure 3	Room	-5					pC
Source Off Capacitance	$C_{S(off)}$	$V_S = 0\text{ V}$, $V_{IN} = 5\text{ V}$ $f = 1\text{ MHz}$	Room	8					pF
Drain Off Capacitance	$C_{D(off)}$		Room	8					
Channel On Capacitance	$C_{D(on)}$	$V_D = V_S = 0\text{ V}$, $V_{IN} = 0\text{ V}$	Room	30					
Off Isolation	OIRR	$C_L = 10\text{ pF}$, $R_L = 1\text{ k}\Omega$ $f = 100\text{ kHz}$ See Figures 4 and 5	Room	85					dB
Crosstalk	X_{TALK}		Room	100					
Supply									
Positive Supply Current	I_+	All Channels On or Off	Room Full	5.5		7.5 9		7.5 9	mA
Negative Supply Current	I_-		Room Full	-3.4	-6 -8		-6 -8		

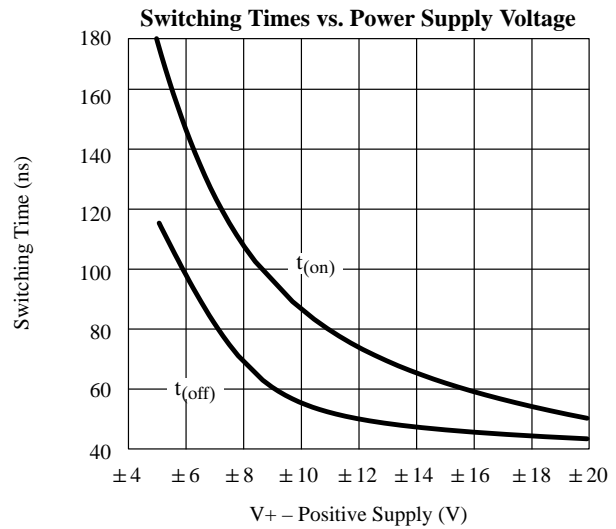
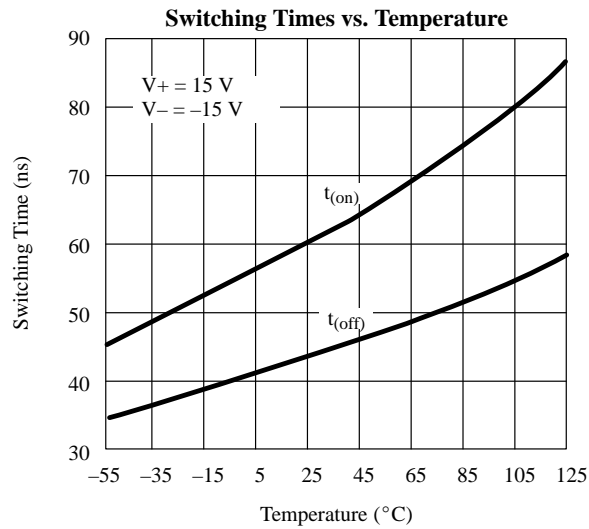
Notes:

- Refer to PROCESS OPTION FLOWCHART.
- Room = 25°C, Full = as determined by the operating temperature suffix.
- Typical values are for DESIGN AID ONLY, not guaranteed nor subject to production testing.
- The algebraic convention whereby the most negative value is a minimum and the most positive a maximum, is used in this data sheet.
- Guaranteed by design, not subject to production test.
- V_{IN} = input voltage to perform proper function.

Typical Characteristics



Typical Characteristics (Cont'd)



Test Circuits

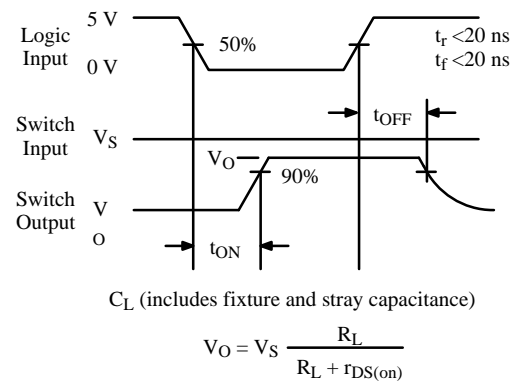
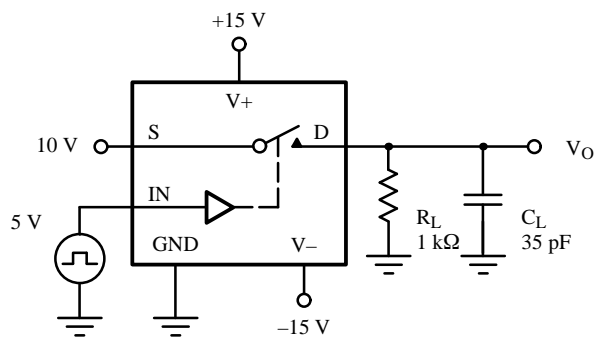


Figure 2. Switching Time