

NOTES:

1. DO NOT SCALE THIS DRAWING.
2. UNLESS OTHERWISE SPECIFIED:
  - A. HOLES, SLOTS AND DIAMETERS TO BE PARALLEL AND CONCENTRIC WITHIN .003 T.I.R.
  - B. REMOVE ALL BURRS, BREAK ALL SHARP EDGES .005 MAX.
  - C. SURFACE FINISH TO BE 63 MICRONS MAX.

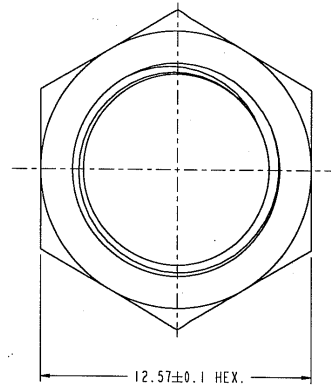
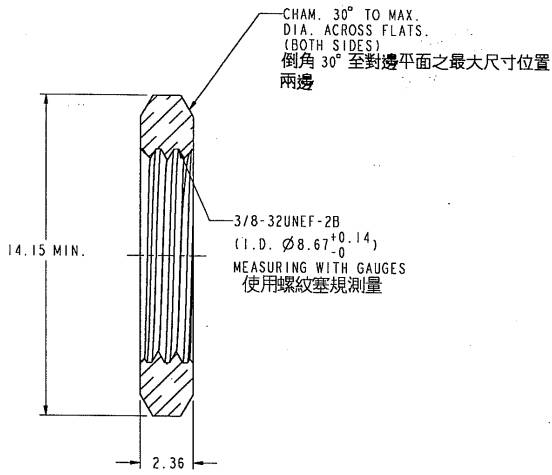
備註:

1. 不要直接量測圖面。
2. 除非特別標示, 則:
  - A. 孔, 槽和外徑的同心度之總偏轉讀數最大0.08
  - B. 去除所有銳角0.13以下。
  - C. 表面粗糙度 Ra:3.2

THIRD ANGLE PROJ.

REVISIONS

REV	DESCRIPTION	DATE	ECO	APPR
A	RELEASE TO MFG.	16-Apr-07		JC



SURFACE AREA = 329.394 SQ. MM.  
VOLUME = 156.402 CU. MM.

<p>UNLESS OTHERWISE SPECIFIED, DIMENSIONS ARE IN METRIC AND TOLERANCES ARE:</p> <table border="1"> <tr> <td>0.5 - 6mm</td> <td>6 - 30mm</td> <td>30 - 120mm</td> <td>ANGLES</td> </tr> <tr> <td>±0.1mm</td> <td>±0.2mm</td> <td>±0.3mm</td> <td>±1°</td> </tr> </table> <p>NOTICE - These drawings, specifications, or other data (1) are, and remain the property of Amphenol Corp. (2) must be returned upon request, and (3) are confidential and not to be disclosed to any person other than those to whom they are given by Amphenol Corp. The finishing of these drawings, specifications, or other data by Amphenol Corp., or to any other person in any way for any purpose is not to be regarded by implication or otherwise in any manner licensing, granting rights to permitting such holder or any other person to manufacture, use or sell any product, process or design, patented or otherwise, that may in any way be related to or disclosed by said drawings, specifications, or other data.</p>	0.5 - 6mm	6 - 30mm	30 - 120mm	ANGLES	±0.1mm	±0.2mm	±0.3mm	±1°	<p>MATERIAL BRASS PER QQ-B-626, ALLOY 360, 1/2H</p>	<p>DRAWN <i>JERRY</i> DATE 16-Apr-07</p>	<p>TITLE HEX HUT</p>	<p>Amphenol RF Danbury CT USA, Tainan, Taiwan, Shenzhen, China www.amphenolrf.com</p>
	0.5 - 6mm	6 - 30mm	30 - 120mm	ANGLES								
±0.1mm	±0.2mm	±0.3mm	±1°									
<p>ENGINEER <i>Gofford</i> DATE 16-Apr-07</p>	<p>APPROVED <i>KEVIN</i> DATE 20-Apr-07</p>	<p>SCALE: 3.0:1.0 SHEET 1 OF 1</p>										
<p>REFERENCE</p>	<p>CAD FILE I:\Hard\131-10495</p>	<p>DWG SIZE B</p>	<p>CODE 10 74868</p>	<p>REV A</p>	<p>DRAWING NO. 31-10495</p>							
<p>FINISH PER KAI JACK SPEC. EP-SS-9700</p>					<p>ITEM NO. 31-10495</p>							
					<p>PART NO. 31-10495</p>							