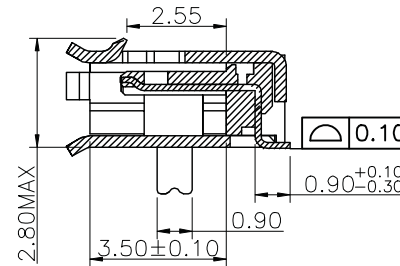
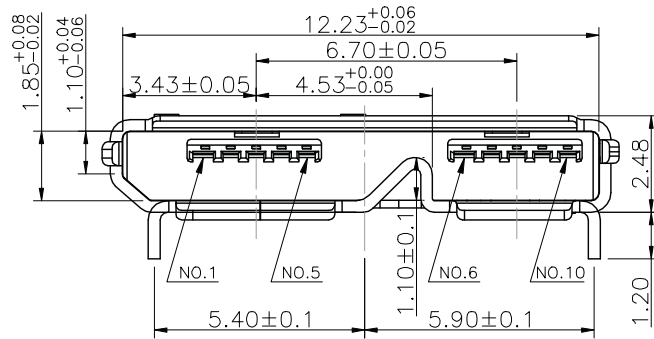
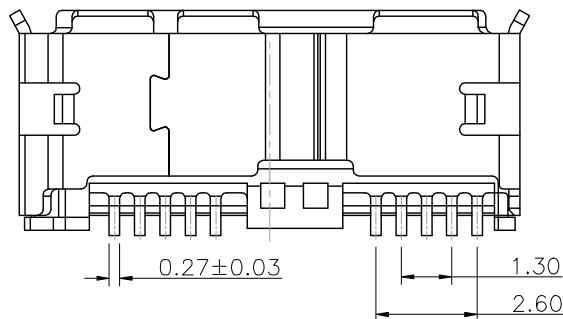


Recommended PCB Layout



A-A



Material:

- Insulator: LCP color-Black
- Shell: 0.3MM Thickness, Flash
- USB Contact: Brass 0.15MM Thickness, selective gold
- Plated on contact area, gold flash plated on solder tail
- Plated on the soldering tab
- 80μ" min. nickel underplated overall

Unit: MM±0.20MM



ITEM NO.
AU-Y1009/3-B-R
 TITLE
 USB Micro Connector 3.0 - SMT, B Female Type,
 15μ", 10-pin for PCB Mount

ASSMANN
 Electronics, Inc.

1840 W. Drake Drive, Suite 101 • Tempe, AZ 85283
 Toll Free: 1-877-277-6266 • Email: info@usa-assmann.com

THIS DRAWING IS UNPUBLISHED
 ©Copyright 2011 by Assmann Electronic Components
 All International Rights Reserved