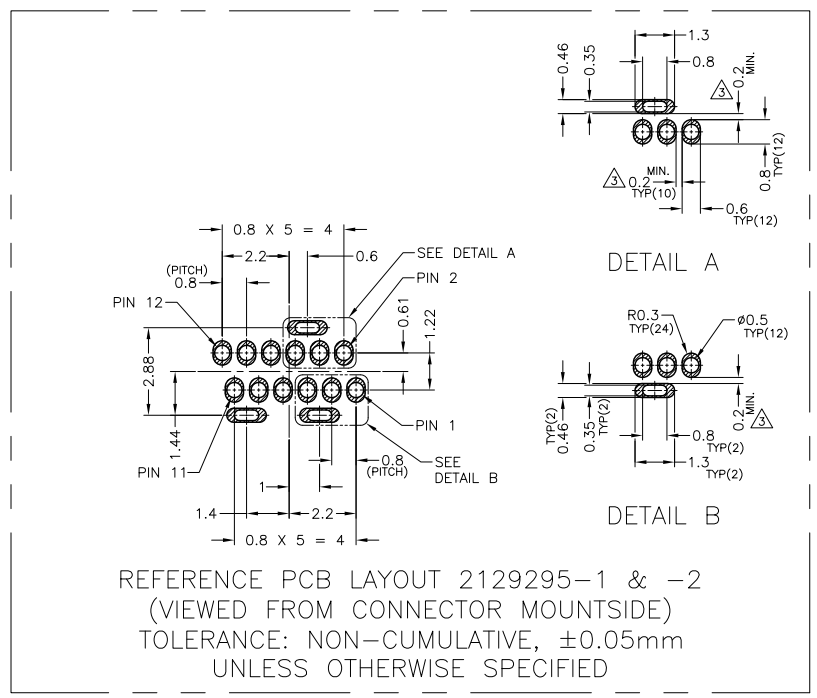
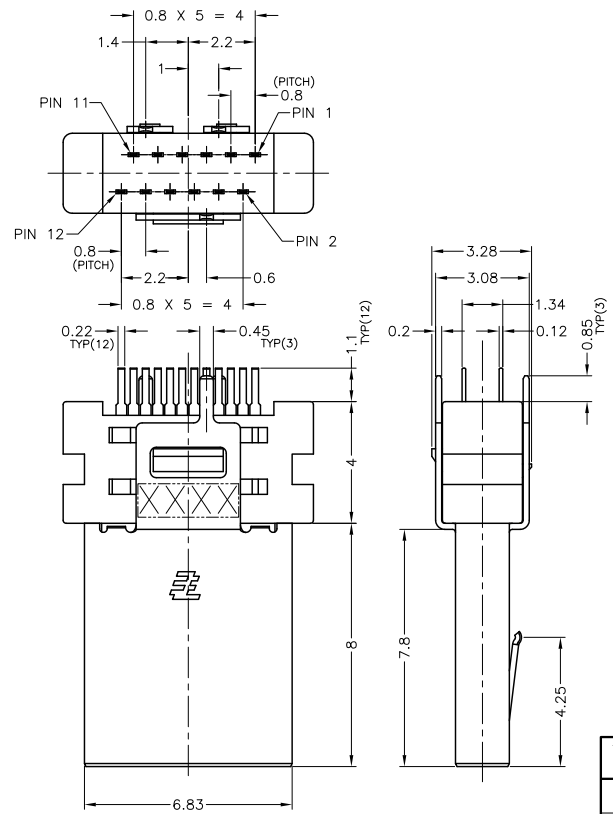




2129295-2: AS SHOWN



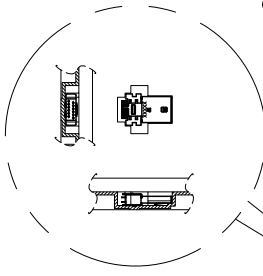
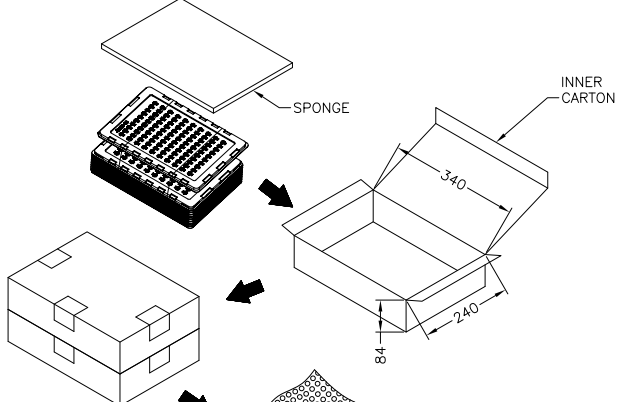
REFERENCE PCB LAYOUT 2129295-1 & -2  
 (VIEWED FROM CONNECTOR MOUNTSIDE)  
 TOLERANCE: NON-CUMULATIVE, ±0.05mm  
 UNLESS OTHERWISE SPECIFIED

THIS DRAWING IS A CONTROLLED DOCUMENT.		DWN	Tyco Electronics Corporation Taipei, Taiwan	
DIMENSIONS: mm	TOLERANCES UNLESS OTHERWISE SPECIFIED:	CHK	NAME	
0. PLC ±	1. PLC ±0.2	APVD	MICRO HYBRID CONNECTOR THROUGH HOLE, CRADLE TYPE PLUG ASSY	
1. PLC ±	2. PLC ±	PRODUCT SPEC	SIZE	CAGE CODE
2. PLC ±	3. PLC ±	APPLICATION SPEC	A3	00779
3. PLC ±	4. PLC ±	WEIGHT	DRAWING NO	RESTRICTED TO
4. ANGLES ±	FINISH	CUSTOMER DRAWING	C-2129295	2 OF 3
		SCALE	8:1	REV A

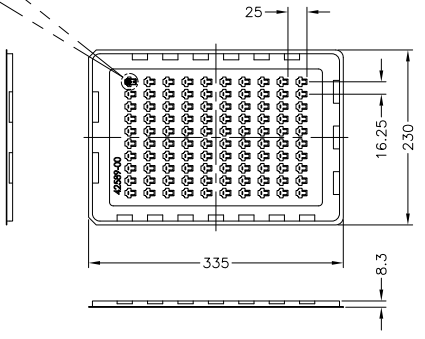
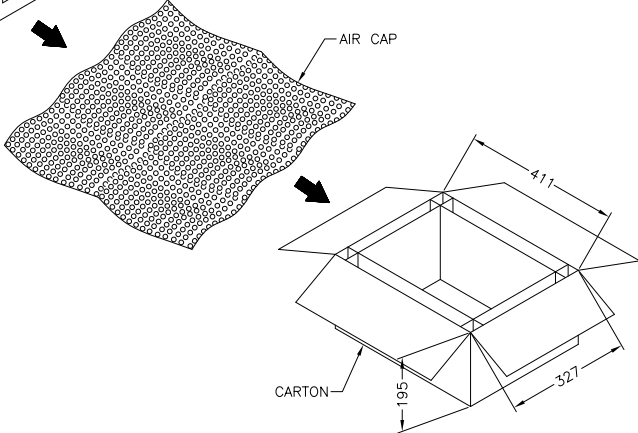
AMP 3306-7 REV 31MAR2000

THIS DRAWING IS UNPUBLISHED. RELEASED FOR PUBLICATION  
 COPYRIGHT BY TYCO ELECTRONICS CORPORATION. ALL RIGHTS RESERVED.

LOC	DIST	REVISIONS			
P	LTR	DESCRIPTION	DATE	DWN	APVD
		SEE SHEET 1			



- 5. PACKING MATERIAL:  
TRAY: PS, THICKNESS=0.8±0.05mm,  
COLOR: NATURAL.
- 6. NET WEIGHT: 1.856Kg,  
GROSS WEIGHT: 3.586Kg.



100	16	2	3200
PCS/TARY	TRAY/INNER BOX	INNER BOX/CARTON	TOTAL Q'TY

THIS DRAWING IS A CONTROLLED DOCUMENT.

DIMENSIONS: mm	TOLERANCES UNLESS OTHERWISE SPECIFIED: 0. PLC ± 1. PLC ± 2. PLC ± ±1 3. PLC ± ±3 4. PLC ± ANGLES ±	DWN	—	Tyco Electronics Corporation Taipei, Taiwan
MATERIAL	FINISH	CHK	—	
NAME		APVD	—	MICRO HYBRID CONNECTOR THROUGH HOLE, CRADLE TYPE PLUG ASSY
PRODUCT SPEC		APPLICATION SPEC	—	
SIZE		CAGE CODE	DRAWING NO	RESTRICTED TO
A3		00779	C-2129295	—
CUSTOMER DRAWING		SCALE	FREE	SHEET 3 of 3 REV A