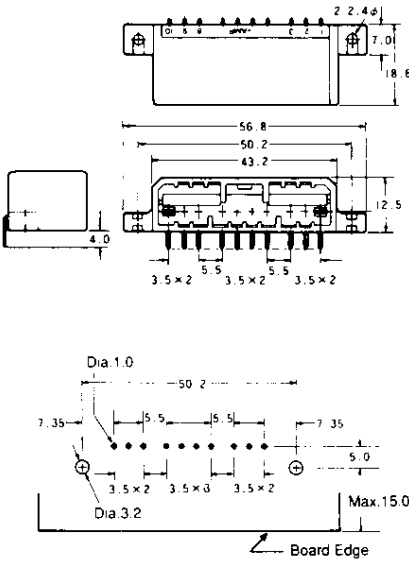
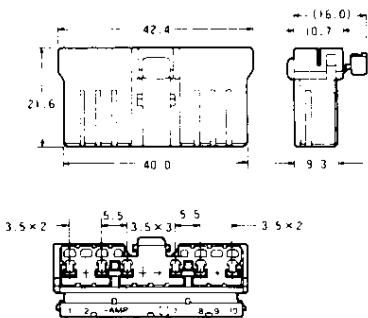
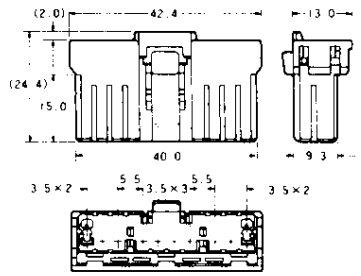
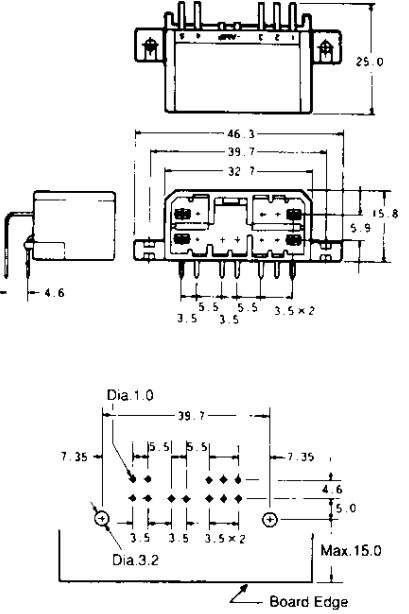
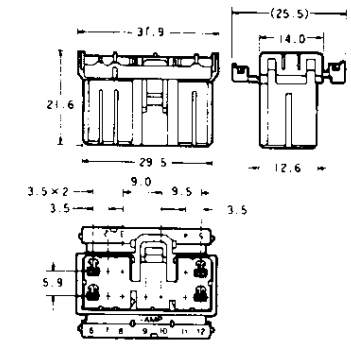
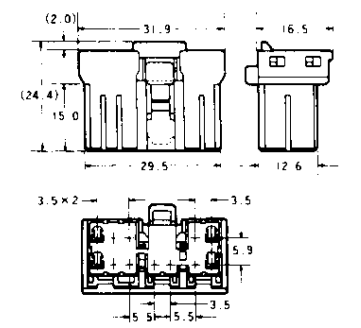


.070 MULTILOCK Connectors

Wire to Board Applications / Horizontal Mount Type

Cap	Plug	
	Mark I	Mark II
<p>Part Number : □-174467-□</p> <p>10 Pos.</p>  <p>PC Board Layout</p>	<p>Part Number : 174464-□</p> 	<p>Part Number : 176115-□</p> 

<p>Part Number : □-173858-□</p> <p>12 Pos.</p>  <p>PC Board Layout</p>	<p>Part Number : 173851-□</p> 	<p>Part Number : 176116-□</p> 
--	---	---

*The materials and finish of tab contacts are of pretinned brass or selective gold on pretinned brass.
 *The materials are of PBT with glass for the cap housing and PBT for the plug housing.
 *The figures in □ after part numbers vary according to finishes, configurations, housing colors, etc.