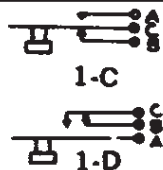
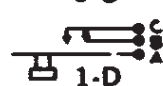


SWITCHCRAFT, INC. 5555 N. Elston Ave.  
Chicago, IL 60630 • 773 792-2700 • FAX: 773 792-2129  
www.switchcraft.com

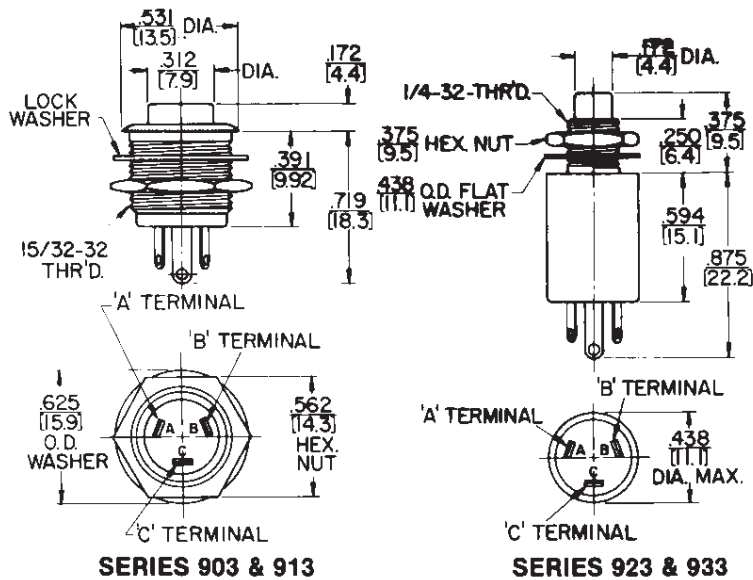
## Button-Switch® SWITCHES

### SERIES 903, 913, 923, 933

#### PART NUMBERS

Panel Mounting	Pushbutton Color/Part Number		Circuit	Schematic <sup>1</sup>
	Red	Black		
Front	903	913	1-C	 <p>1-C</p>
	◇ 903D	◇ 913D	1-D	
Rear	923	933	1-C	 <p>1-D</p>
	◇ 923D	◇ 933D	1-D	

<sup>1</sup>1-Circuits C or 1-D can be wired for either 1-A or 1-B switching  
◇ Special order only; contact Switchcraft for price and delivery.



DIMENSIONS ARE FOR REFERENCE ONLY

Inch  
(mm)