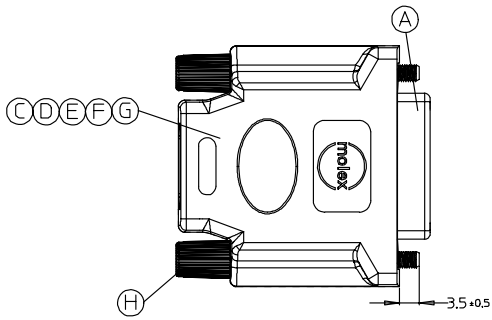
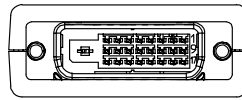
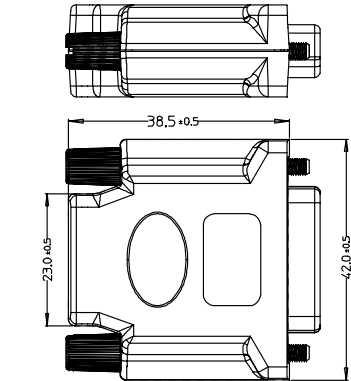
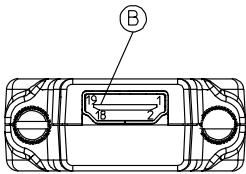


6 5 4 3 2 1



- Notes:
1. DIELECTRIC STRENGTH: 300V AC
  2. INSULATION RESISTANCE : 100M OHMS Min.
  3. CONTACT RESISTANCE: 2 OHMS Max.
  4. PCB IMPEDANCE: 100±15 OHMS
  5. ABS COVER MOLDED WITH 887800141 WHITE RESIN.



HDMI	DVI-D	Function
1	2	TMDS DATA2+
2	3	TMDS DATA2 SHIELD
3	1	TMDS DATA2-
4	10	TMDS DATA1+
5	11	TMDS DATA1 SHIELD
6	9	TMDS DATA1-
7	18	TMDS DATA0+
8	19	TMDS DATA0 SHIELD
9	17	TMDS DATA0-
10	23	TMDS CLOCK+
11	22	TMDS CLOCK SHIELD
12	24	TMDS CLOCK-
13	N.A	N.A
14	N.A	N.A
15	6	DDC CLOCK(SCL)
16	7	DDC DATA(SDA)
17	15	GROUND(+5V&DDCI)
18	14	POWER +5V
19	16	HOT PLUG DETECT
SHIELD	SHIELD	GROUND(+5V&DDCI)

ITEM	DESCRIPTION	USAGE
H	4-40 UNC SCREW	2
G	PCB	1
F	BOTTOM METAL CAN	1
E	TOP METAL CAN	1
D	ABS BOTTOM COVER	1
C	ABS TOP COVER	1
B	HDMI(F)&PCB ASSY'	1
A	DVI-D CONN.	1

EC NO. DRWN: ANDY 04/06/14 CHK: APPR:	QUALITY SYMBOLS MAJOR -0 CRITICAL -0	GENERAL TOLERANCES: (UNLESS SPECIFIED)		SCALE N.S.T	DESIGN UNITS <input checked="" type="checkbox"/> mm <input type="checkbox"/> INCH	<input type="checkbox"/> THIRD ANGLE <input type="checkbox"/> PROJECTION	<input type="checkbox"/> mm <input type="checkbox"/> INCH	<input checked="" type="checkbox"/> mm <input type="checkbox"/> INCH	<input type="checkbox"/> mm ONLY	SHT REV
		4 PLACES 0. 3 PLACES 0. 2 PLACES 0. 1 PLACE 0.5 ANGULAR: °	DRAWN BY & DATE ANDY 04/04/01 CHECKED BY & DATE Teddy 04/04/01 APPROVED BY & DATE Boron 04/04/01	TITLE: HDM(F) TO DVI-(D)M ADAPTER		MOLEX INCORPORATED		CAD FILENAME J6706-00.mi	MATERIAL NO. 88767-0600	DRAWING NO. SD-88767-001
A REV	DESCRIPTION	SIZE A4								

WBORD\_A.BOR REV A  
97/05/14 LEVEL 3

E  
D  
C  
B  
A

7 6 5 4 3 2 1

E

D

C

B

A

E

D

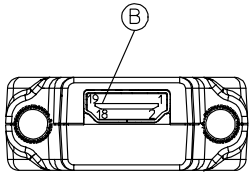
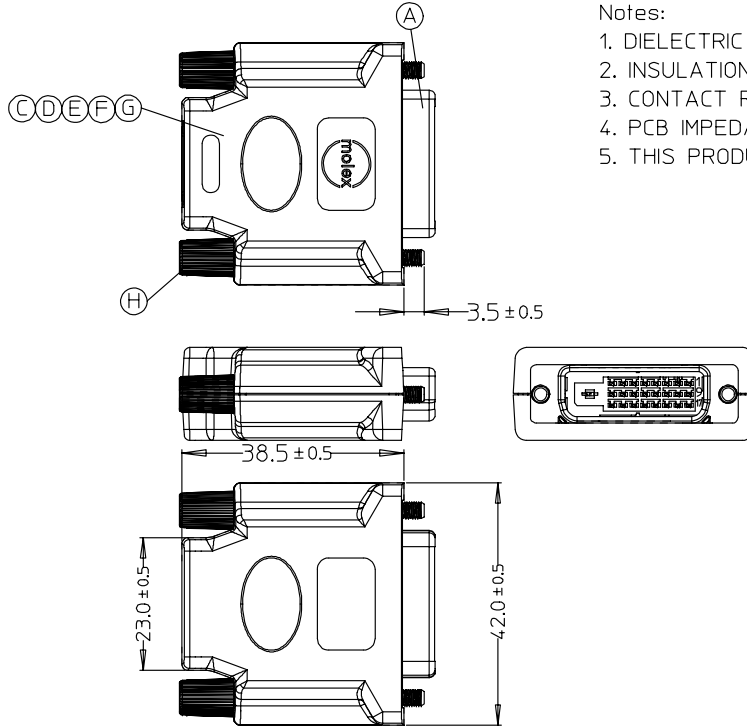
C

B

A

Notes:

1. DIELECTRIC STRENGTH: 300V AC
2. INSULATION RESISTANCE : 100M OHMS Min.
3. CONTACT RESISTANCE: 2 OHMS Max.
4. PCB IMPEDANCE: 100±15 OHMS
5. THIS PRODUCT MUST MEET ROHS COMPLIANCE



HDMI	DVI-D	Function
1	2	TMDS DATA2+
2	3	TMDS DATA2 SHIELD
3	1	TMDS DATA2-
4	10	TMDS DATA1+
5	11	TMDS DATA1 SHIELD
6	9	TMDS DATA1-
7	18	TMDS DATA0+
8	19	TMDS DATA0 SHIELD
9	17	TMDS DATA0-
10	23	TMDS CLOCK+
11	22	TMDS CLOCK SHIELD
12	24	TMDS CLOCK-
13	N/A	N/A
14	N/A	N/A
15	6	DDC CLOCK(SCL)
16	7	DDC DATA(SDA)
17	15	GROUND(+5V&DDCI)
18	14	POWER +5V
19	16	HOT PLUG DETECT
SHIELD	SHIELD	GROUND(+5V&DDCI)

ITEM	DESCRIPTION	USAGE
H	4-40 UNC SCREW	2
G	PCB	1
F	BOTTOM METAL CAN	1
E	TOP METAL CAN	1
D	ABS BOTTOM COVER	1
C	ABS TOP COVER	1
B	HDMI_F&PCB ASSY'	1
A	DVI-D CONN.	1

ENTER DESCRIPTION EC NO: DG2006-0775 DRWN: JFZHENG CHKD: 2006/02/20 APPR: DQLUO 2006/02/20	QUALITY SYMBOLS ▽=0 ▽=0	GENERAL TOLERANCES (UNLESS SPECIFIED)		DIMENSION STYLE	SCALE	DESIGN UNITS	THIRD ANGLE PROJECTION
				MM ONLY	---	METRIC	
				DRAWN BY	DATE	TITLE	
				JFZHENG	2006/01/19	HDMI TO DVI-D ADAPTER	
				CHECKED BY	DATE		
				JFZHENG	2006/01/19		
				APPROVED BY	DATE		
				DQLUO	2006/01/19		
				MATERIAL NO.	DOCUMENT NO.		
				887670600	SD-88767-060		
				SIZE	THIS DRAWING CONTAINS INFORMATION THAT IS PROPRIETARY TO MOLEX INCORPORATED AND SHOULD NOT BE USED WITHOUT WRITTEN PERMISSION		
				A4			
						SHEET NO.	
						1 OF 1	

ib\_frame\_A4\_P\_ME\_T  
Rev. D 2004/04/02

6

5

4

3

2

1

7 6 5 4 3 2 1

E

D

C

B

A

E

D

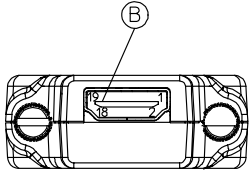
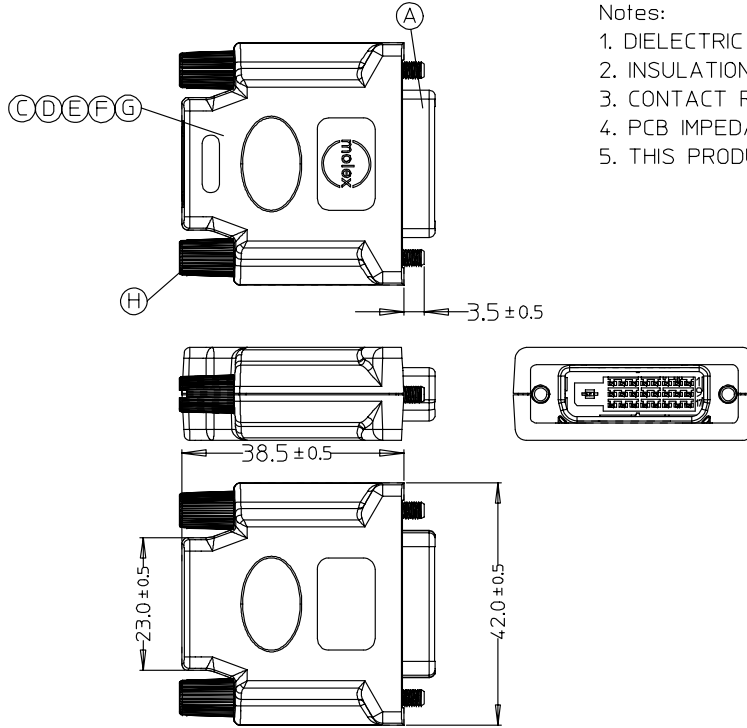
C

B

A

Notes:

1. DIELECTRIC STRENGTH: 300V AC
2. INSULATION RESISTANCE : 100M OHMS Min.
3. CONTACT RESISTANCE: 2 OHMS Max.
4. PCB IMPEDANCE: 100±15 OHMS
5. THIS PRODUCT MUST MEET ROHS COMPLIANCE



HDMI	DVI-D	Function
1	2	TMDS DATA2+
2	3	TMDS DATA2 SHIELD
3	1	TMDS DATA2-
4	10	TMDS DATA1+
5	11	TMDS DATA1 SHIELD
6	9	TMDS DATA1-
7	18	TMDS DATA0+
8	19	TMDS DATA0 SHIELD
9	17	TMDS DATA0-
10	23	TMDS CLOCK+
11	22	TMDS CLOCK SHIELD
12	24	TMDS CLOCK-
13	N/A	N/A
14	N/A	N/A
15	6	DDC CLOCK(SCL)
16	7	DDC DATA(SDA)
17	15	GROUND(+5V&DDCI)
18	14	POWER +5V
19	16	HOT PLUG DETECT
SHIELD	SHIELD	GROUND(+5V&DDCI)

ITEM	DESCRIPTION	USAGE
H	4-40 UNC SCREW	2
G	PCB	1
F	BOTTOM METAL CAN	1
E	TOP METAL CAN	1
D	ABS BOTTOM COVER	1
C	ABS TOP COVER	1
B	HDMI_F&PCB ASSY'	1
A	DVI-D CONN.	1

ENTER DESCRIPTION EC NO: DG2006-0144 DRWN: JFZHENG CHYD: 2005/12/27 APPR: DQLUO 2006/01/16	QUALITY SYMBOLS ▽=0 ▽=0	GENERAL TOLERANCES (UNLESS SPECIFIED)		DIMENSION STYLE MM ONLY	SCALE ---	DESIGN UNITS METRIC	THIRD ANGLE PROJECTION	
		4 PLACES ±--- ±--- 3 PLACES ±--- ±--- 2 PLACES ±--- ±--- 1 PLACE ±--- ±--- ANGULAR ±1/2°	DRAWN BY JFZHENG DATE 2005/12/27	CHECKED BY JFZHENG DATE 2005/12/27	APPROVED BY DQLUO DATE 2005/12/27	TITLE HDMI TO DVI-D ADAPTER		
ENTER PART	MATERIAL NO.	DOCUMENT NO.	SHEET NO.	MOLEX INCORPORATED				
DRAFT WHERE APPLICABLE MUST REMAIN WITHIN DIMENSIONS				ENTER PART SD-887670600				1 OF 00
THIS DRAWING CONTAINS INFORMATION THAT IS PROPRIETARY TO MOLEX INCORPORATED AND SHOULD NOT BE USED WITHOUT WRITTEN PERMISSION								

ib\_frame\_A4\_P\_ME\_T  
Rev. D 2004/04/02

6

5

4

3

2

1