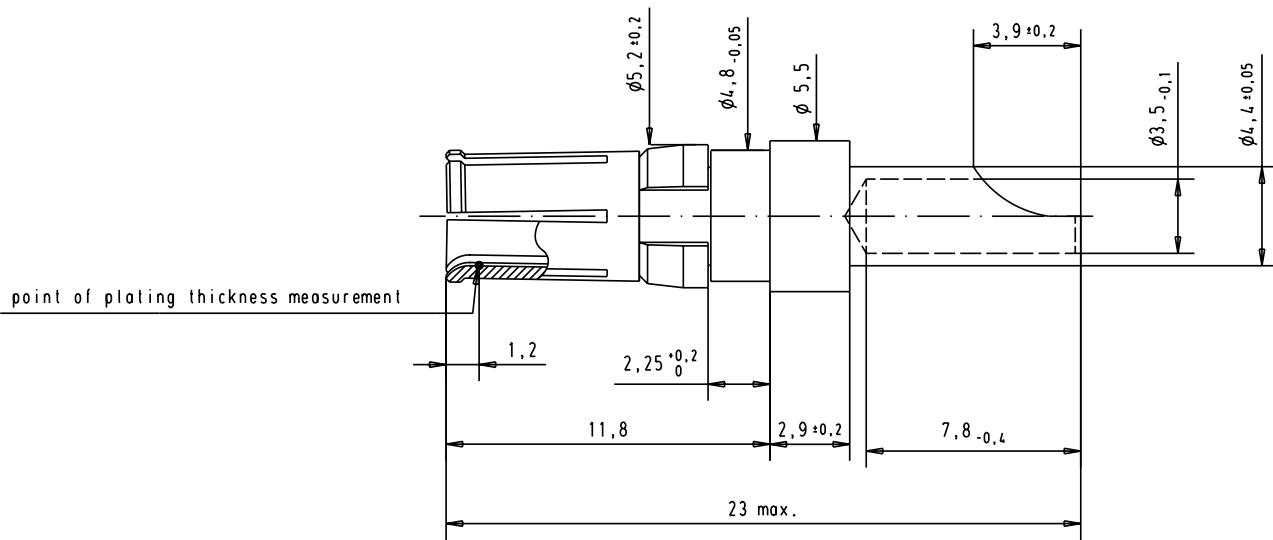




Alle Rechte vorbehalten All rights reserved



					Dot.		Name	 All Dim. in mm Orig. Size DIN A 4	Female High power contact, 30A, straight cable terminaison, solder		Maßstab/ Scale
					Detail.		CV				5:1
09691817422		Mating area		0,2 μ m Au							
		Termination area		5 μ m Sn							
09691815422		Mating area		0,8 μ m Au							
		Termination area		0,2 μ m Au		31057		21-JUN-02		CV	
Part number		Plating			Mod.	Dot.	Name	HARTING EURL F-95972 Paris 		TB 09 69 181 x422	
								Sub.		Blatt / Page 1 / 1	