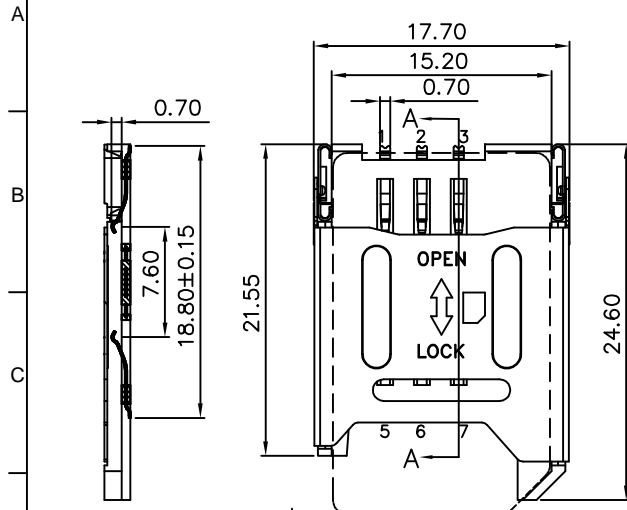
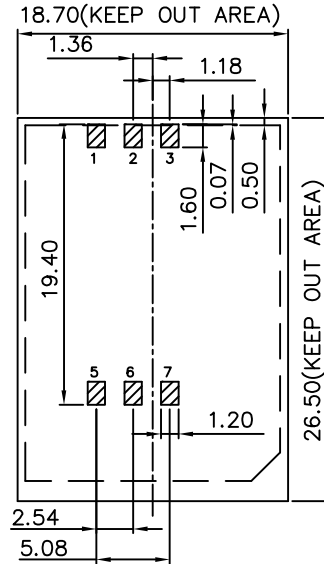
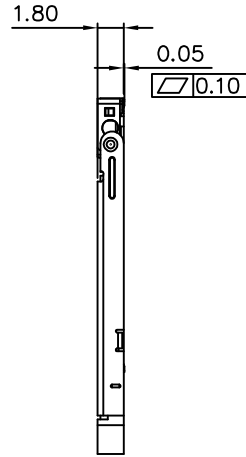
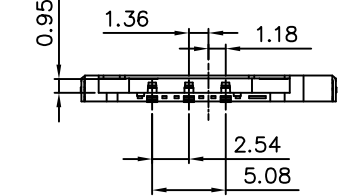


Global Connector Technology Ltd. - SIM5050 : SIM Card Connector, Hinged Type, 6 Pin, SMT, 1.8mm Profile



SECTION A-A

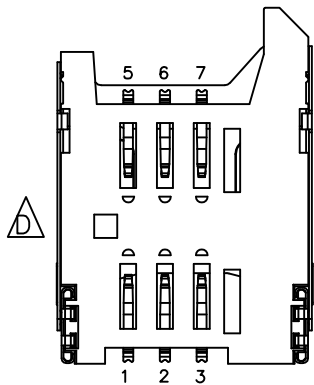


RECOMMENDED PCB LAYOUT
GENERAL TOLERANCE ±0.05

AS VIEWED FROM COMPONENT SIDE

- Solder Area
- Component Outline

- C1---->VCC
- C2---->RST
- C3---->CLK
- C5---->GND
- C6---->Vpp
- C7---->I/O



Ordering Grid

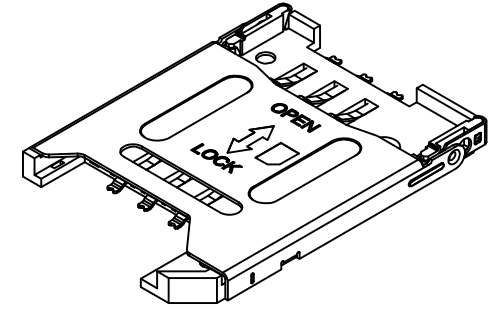
SIM5050 - **6** - **0** - **18** - **00** - **A** **REQUEST SAMPLES AND QUOTATION**

No. of Contacts
6

0 = Without Switch

Packing Options
A = Tape & Reel
(0.6K per Reel)

00 = Without Post



Specification 规格:

Material 物料规格:

Plastic Housing 塑胶外壳: Hi-Temp Thermoplastic UL94V-0, Black 高温塑胶, 黑色
Contact Terminal 接触端子: Phosphor Bronze 磷青铜
Metallic Shell 金属外壳: Coppy Alloy 铜合金

Plating 电镀规格:

Contact Terminal plating 接触端子部分电镀:
Under-plating 底层电镀: Nickel over all 全部镀镍
Contact Area 接触部分: 15µ" Gold 镀金15µ"
Soldering Area 焊接部分: Tin 镀锡
Metallic Shell plating 金属外壳电镀:
Under-plating 底层电镀: 50u" Nickel all over 全部镀镍50u"

Electrical 电气规格:

Voltage Rating 电压额定值: 100 V AC (R.M.S.) Max.
Current Rating 电流额定值: 0.5A AC/DC
Operating Temperature 工作温度: -25°C to +70°C
Contact Resistance 接触电阻值: 20mW Max.
Insulating Resistance 绝缘电阻值: 1000MW Min. (Apply 施加100V DC)
Dielectric Withstanding Voltage 耐电压: Withstand 200 VAC for 1 minute 能承受 200 VAC 1分钟

Mechanical 机械性规格:

Durability 耐久性: 5,000 cycles 5,000 次插拔
Contact Normal Force 垂直接触力: 30 - 70gf/Pin

By	PKN	DMR	ASE	PN
DETAIL	DRAWING RELEASE	ECN081020A	ECN081027A	AMENDMENT TO COMPONENT UNDERSIDE
REV DATE	A 15/10/08	B 20/10/08	C 27/10/08	D 30/06/09

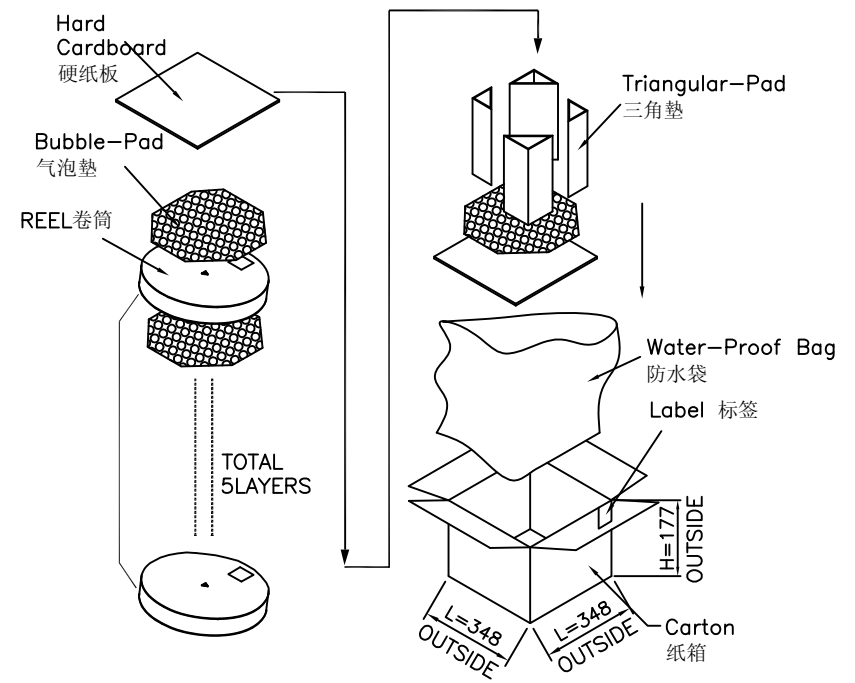
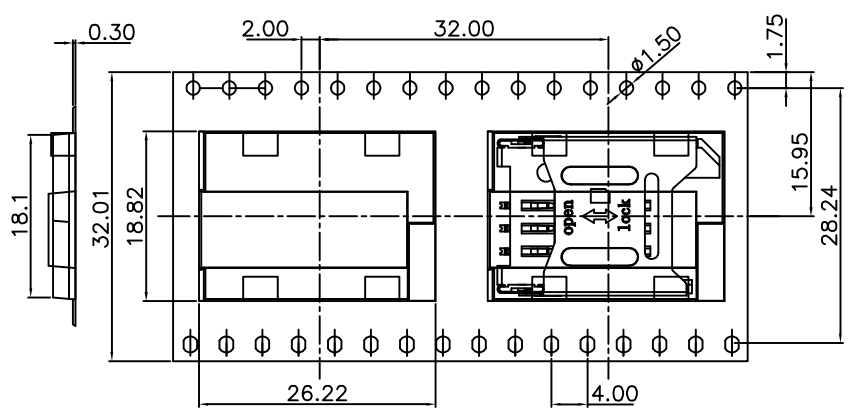
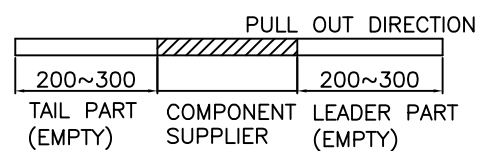
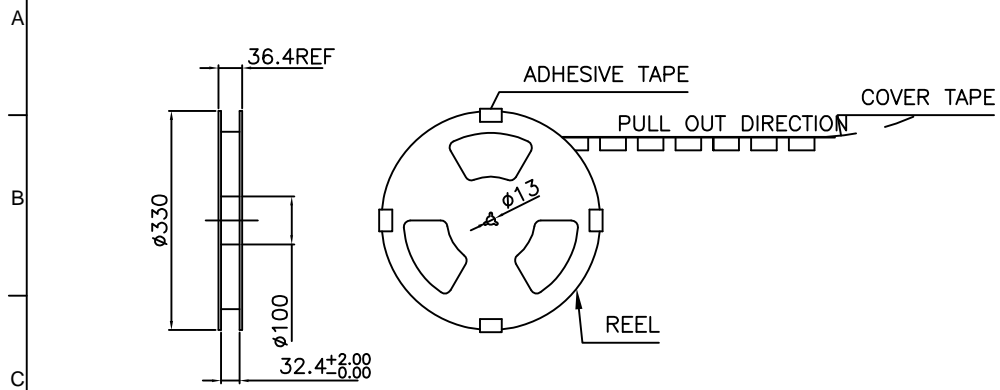


Tolerances (Except as noted)	Part Number:-	Date:-
Dimensions in mm	SIM5050	15 OCT 08
X.X ± 0.25 X.X° ± 1° X.XX ± 0.15 X.X° ± 0.5° X.XXX ± 0.050 X.XX° ± 0.25°	Description:-	
	SIM CARD CONNECTOR, HINGED TYPE, 6 PIN, SMT, 1.8MM PROFILE	
	THIS DRAWING IS CONFIDENTIAL AND MUST NOT BE COPIED OR DISCLOSED WITHOUT WRITTEN CONSENT	

GCT

www.globalconnectortechnology.com

Scale	Revision	Material	Drawn by	Sheet No.
NTS	D	See Note	PKN	E & OE 1/2



- Notes注意:
- The 1st & Last 200-300mm at the leading & tail of the CARRY TAPE will not be used. CARRY TAPE 前部分与尾部分各留出200-300mm长度不装产品
 - Each cavity will hold 1pc. Placement methods are shown in the diagrams. 每穴放置1pc产品, 放置方式如图所示
 - After the packing machine filled the REEL, tangle the REEL one more loop with protection tape, stick adhesive tape on the four quadrants of the REEL, to avoid out-spreading. Stick 1pc. of label on each REEL. 包装机包好后, 再缠上一圈电周波, 在REEL的四个登峰造极点贴上胶带, 以防止REEL张开, 每REEL贴1PC标签
 - Method of Packing is Hot-Melting. 包装方式是热熔式
 - Firstly put a water-proof bag at the bottom of the carton box, then place 1pc. of hard cardboard on top, following with 1pc. of bubble-pad, and at the four corners, place the triangular pads, then place those filled REEL into the center of the carton box. Between the REEL, place 1pc. of bubble-pad as the separator, until 5pc. of REEL are filled in the box. Then place 1pc. of bubble-pad & 1pc. of hard cardboard on top, close the carton by plastic tape lastly. 先在纸箱底部套上一防水袋, 再垫上1pc硬纸板后再垫上1pc气泡垫, 四角垫上三角垫, 度然后把装好产品的REEL放进纸箱中, 每REEL之间隔1pc气泡垫, 依次把5 REEL产品放到纸箱中, 上面再垫上各1pc气泡垫及硬纸板, 最后用胶带封箱。
 - The peel-off force between the COVER TAPE & CARRY TAPE is: 0.1N-0.7N (variation within 0.3N). Peel-off angle: 165-175 degree; Speed of peel-off: 250mm-300mm/min. COVER TAPE与CARRY TAPE剥离力: 0.1N-0.7N (跳动量在0.3N以内) 剥离角度: 165-175度; 剥离速度: 250mm-300mm/分钟

By	PKN	DMR	ASE	PN
DETAIL	DRAWING RELEASE	ECN081020A	ECN081027A	AMENDMENT TO COMPONENT UNDERSIDE
REV DATE	A 15/10/08	B 20/10/08	C 27/10/08	D 30/06/09



Tolerances (Except as noted)	Part Number:-	Date:-
Dimensions in mm	SIM5050	15 OCT 08
	Description:-	
	SIM CARD CONNECTOR, HINGED TYPE, 6 PIN, SMT, 1.8MM PROFILE	
Third Angle Projection	THIS DRAWING IS CONFIDENTIAL AND MUST NOT BE COPIED OR DISCLOSED WITHOUT WRITTEN CONSENT	

GCT		www.globalconnectortechnology.com			
		Scale NTS	Revision D	Material See Note	Drawn PKN