

Micro-Con-X[®] 2-7



Micro-Con-X[®] 2-7

Features & Benefits

- Up to 7 contacts in a compact design
- IP-67 rating
- IP-68 overmolded cable assemblies
- All plastic design is light weight
- Variety of standard options to meet all design specifications
- Custom cable assemblies available

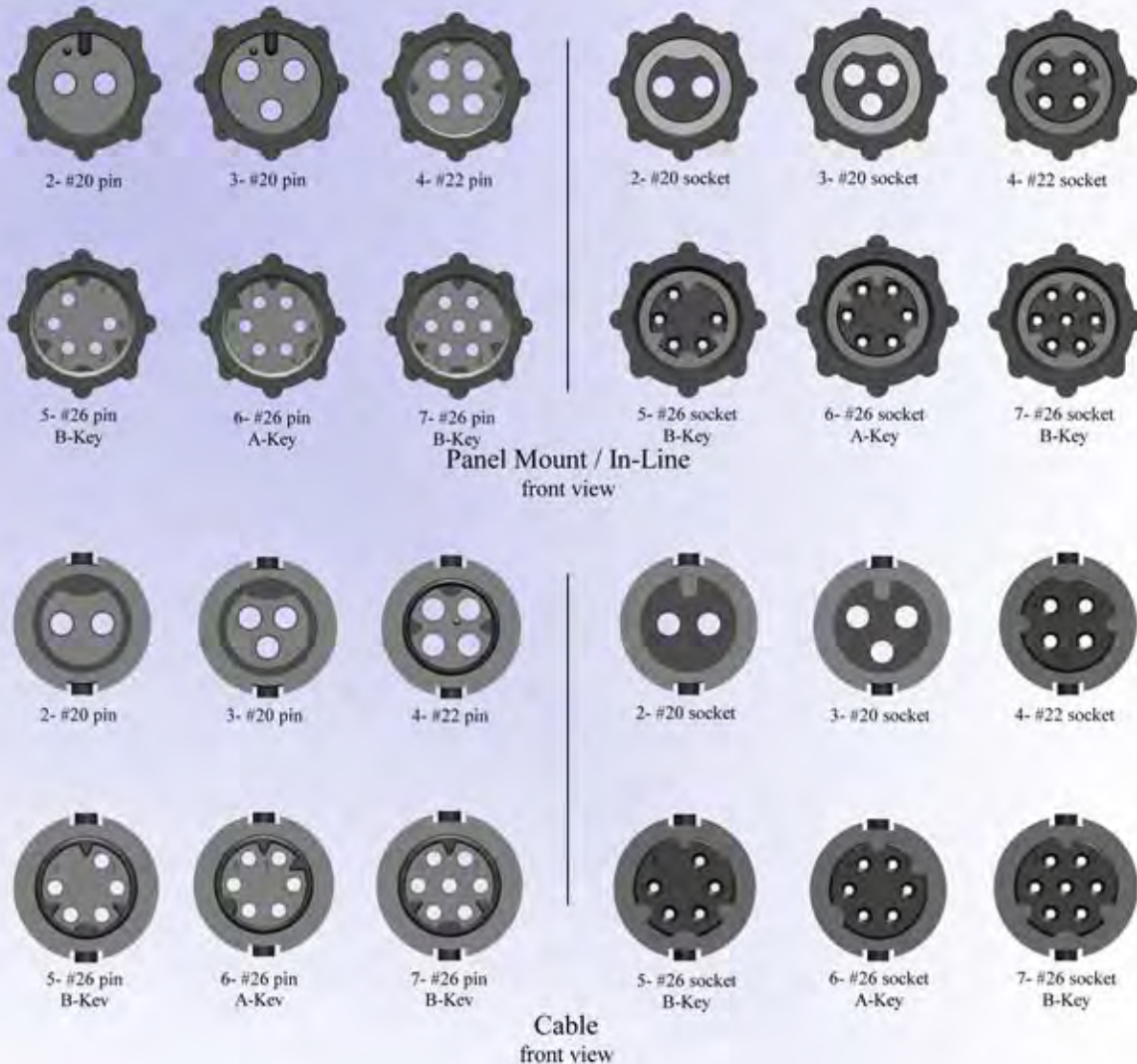
Applications

- Instrumentation
- Medical Equipment
- Lighting
- GPS
- Data Acquisition
- General Industrial Electronic Applications

Micro-Con-X® 2-7

New Product Bulletin C708

New Contact Arrangements



Typical Specifications

Rating: 3.0 thru 7.5A, 600V
Conductor Size: 20 thru 26 AWG
Configuration: 2 & 3 #20 Contacts, 4 #22 Contacts & 5-7 #26 Contacts
Certification: UL Recognized File #E150822 - 600V
 PENDING
 CSA Certified File #181200 PENDING

Environmental Specifications

Temperature Rating: -40°C to +115°C (-40°F to +239°F)
Weathertight: Consult factory with specific application

Molded Cable Assemblies

Watertight: NEMA 6P, 13; IEC IP67

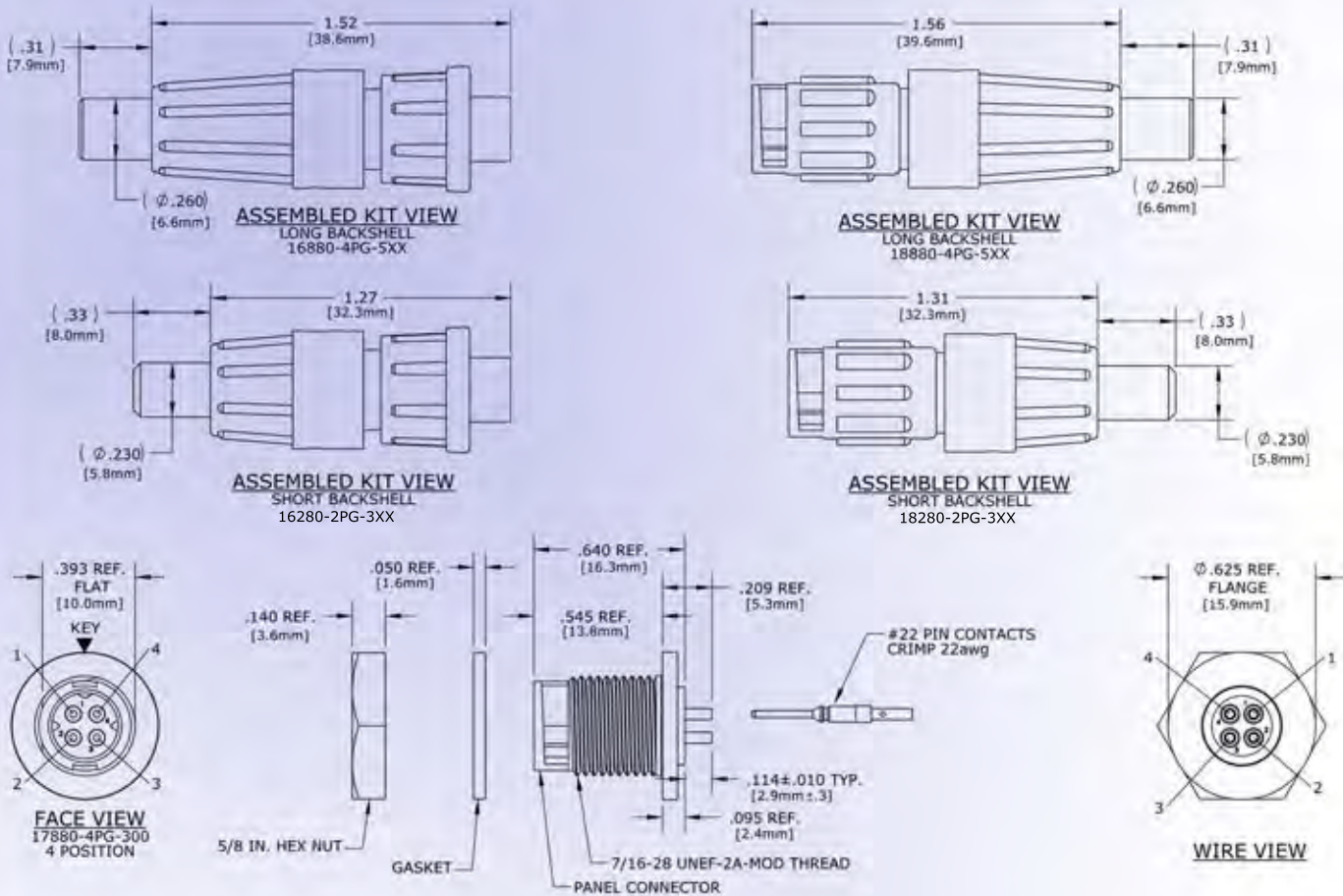
Mechanical Specifications

Durability: Minimum 300 mate/unmate cycles without mechanical or electrical failure
Vibration: Coupling rings have overriding locking feature to prevent loosening or separation of connector
Hex Nut Torque: All series hex nut to withstand 10-11 inch/lb tightening torque.

Electrical Specifications

Voltage: 600 V
Current: 7.5 amps- 2 or 3 #20 contacts
 6.0 amps – 4 #22 contacts
 4.0 amps – 5 or 6 #26 contacts
 3.5 amps – 7 #26 contacts

Micro-Con-X® 2-7



Material Specifications

Cable Pin/Socket

Backshell (Non-Removable Snap Lock): Thermoplastic, UL Recognized, Black

Grommet: TPE, Black

Coupling Ring: Thermoplastic, UL Recognized, Black

Contacts: Copper Alloy, Gold over Nickel

Connector Body: Thermoplastic, UL Recognized, Black

O-Ring: Rubber, Black

Cable to Cable

Backshell (Non-Removable Snap Lock): Thermoplastic, UL Recognized, Black

Grommet: TPE, Black

Contacts: Copper Alloy, Gold over Nickel

Connector Body: Thermoplastic, UL Recognized, Black

Panel Mount

Contacts: Copper Alloy, Gold over Nickel

Panel Body: Thermoplastic, UL Recognized, Black

Gasket: Rubber, Black

Hex Nut: Thermoplastic, UL Recognized, Black

Optional

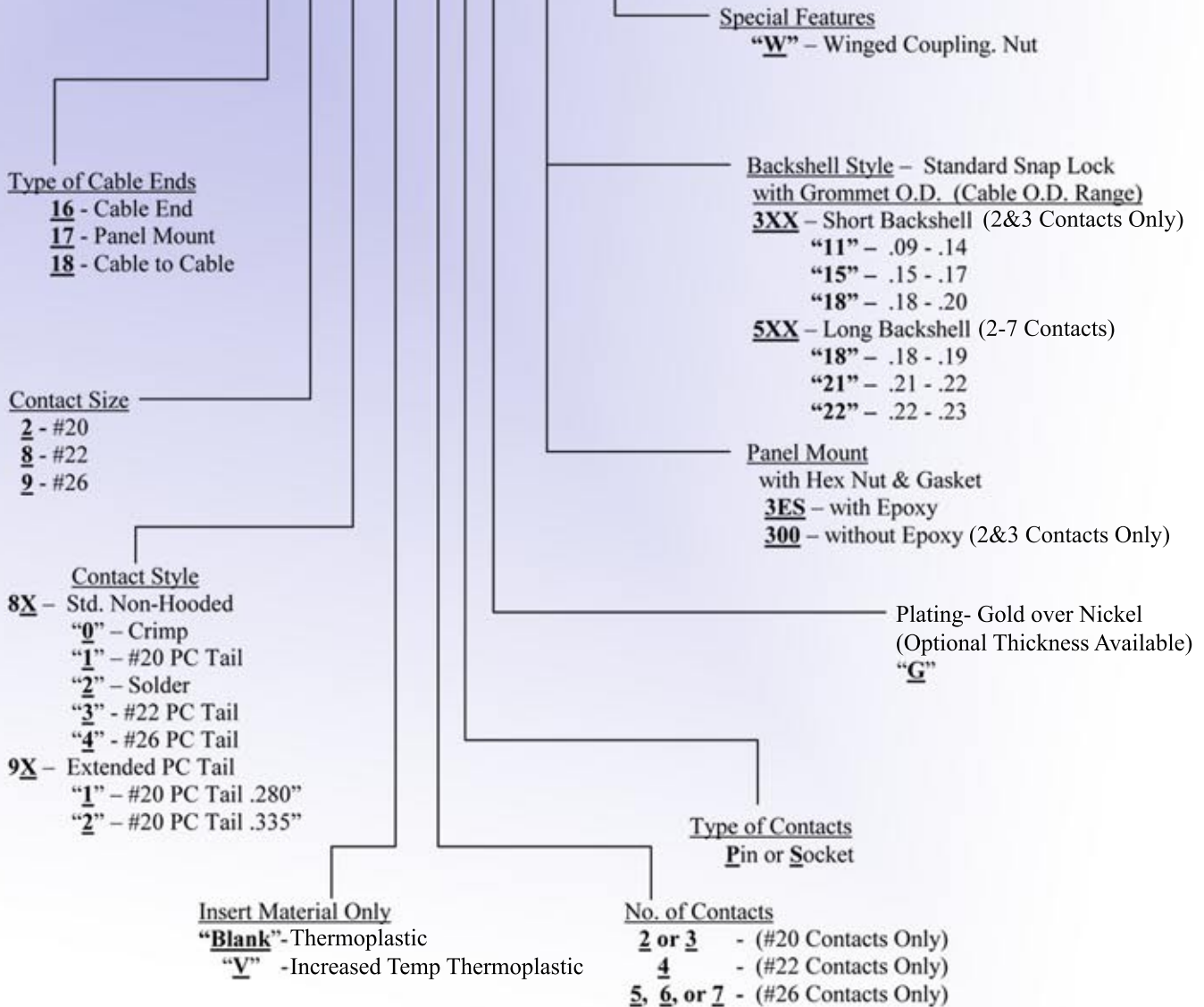
Dust Cap: TPE, Black (Part No. 16295) Gasket, O-Ring, & Grommet materials are suitable for -40°C to +90°C (-40°F to +194°F). Consult factory for higher temperature requirements.

Micro-Con-X® 2-7

New Product Bulletin C708

Standard "Micro-Con-X" Product (Logic Code for Panel, Cable, and In-Line Connector Assemblies)

1X X XX X- XXG - XXX X



PC Tail and Solder Contacts are supplied assembled.

Consult factory for custom design cable assemblies and connectors.