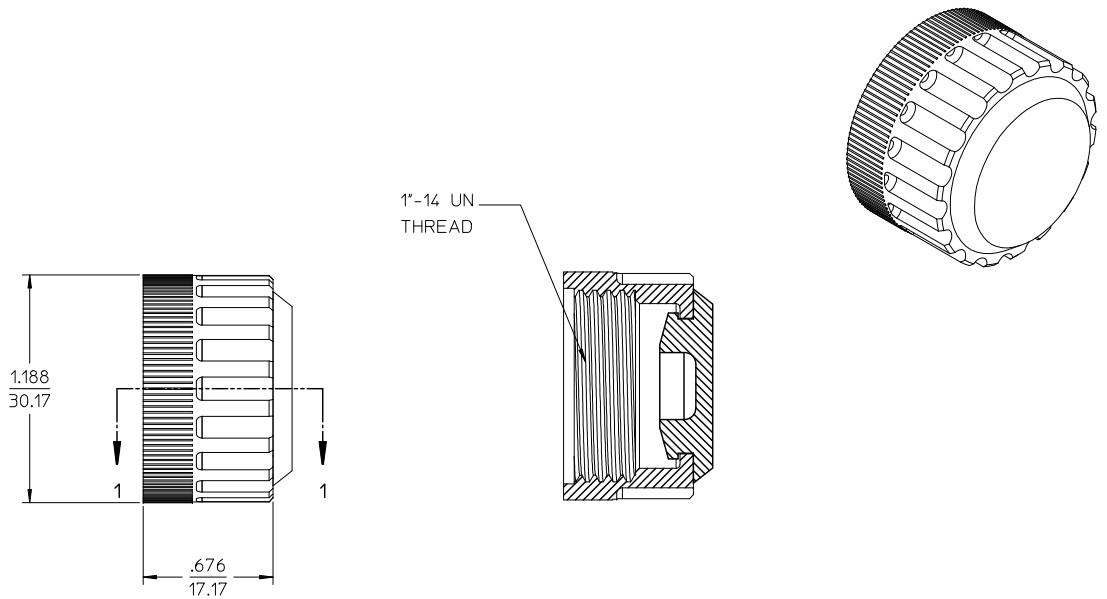


PART NUMBER	OLD PART NUMBER
1300580033	65-0300



COMPONENT	MATERIAL	FINISH
COUPLING NUT	ABS	BLACK
CLOSURE CAP BPF 11/16	NYLON	BLACK

RELEASED EC NO: WNAZ009-0626 DRAWN: SGARCIA 2009/03/27 CHECKED: BWOODMAN APPR: JFMURPHY 2009/04/01 DESCRIPTION REV A	QUALITY SYMBOLS	GENERAL TOLERANCES (UNLESS SPECIFIED) <table border="1"> <tr> <td></td> <td>mm</td> <td>INCH</td> </tr> <tr> <td>4 PLACES</td> <td>± .15</td> <td>± .005</td> </tr> <tr> <td>3 PLACES</td> <td>± .10</td> <td>± .003</td> </tr> <tr> <td>2 PLACES</td> <td>± .07</td> <td>± .002</td> </tr> <tr> <td>1 PLACE</td> <td>± 0.3</td> <td>± .012</td> </tr> </table> ANGULAR ±1/2° DRAFT WHERE APPLICABLE MUST REMAIN WITHIN DIMENSIONS		mm	INCH	4 PLACES	± .15	± .005	3 PLACES	± .10	± .003	2 PLACES	± .07	± .002	1 PLACE	± 0.3	± .012	DIMENSION STYLE IN/MM DRAWN BY SGARCIA DATE 2009/03/27 CHECKED BY BWOODMAN DATE 2009/03/27 APPROVED BY JFMURPHY DATE 2009/03/27	SCALE 2:1 DESIGN UNITS INCH THIRD ANGLE PROJECTION	TITLE CLOSURE CAP ETHERNET INTERNAL THREAD
			mm	INCH																
	4 PLACES		± .15	± .005																
	3 PLACES		± .10	± .003																
2 PLACES	± .07	± .002																		
1 PLACE	± 0.3	± .012																		
MATERIAL NO. SEE CHART	DOCUMENT NO. SD-130058-001	SHEET NO. 1 OF 1																		
THIS DRAWING CONTAINS INFORMATION THAT IS PROPRIETARY TO MOLEX INCORPORATED AND SHOULD NOT BE USED WITHOUT WRITTEN PERMISSION																				
MOLEX INCORPORATED																				