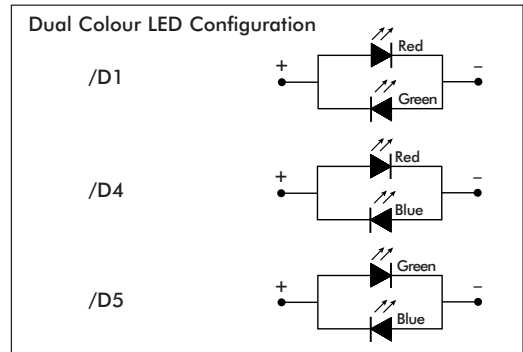
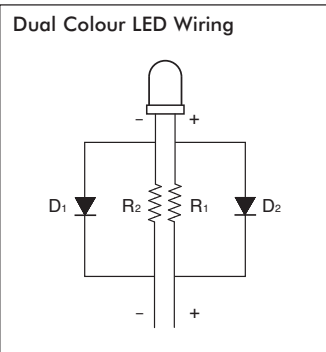
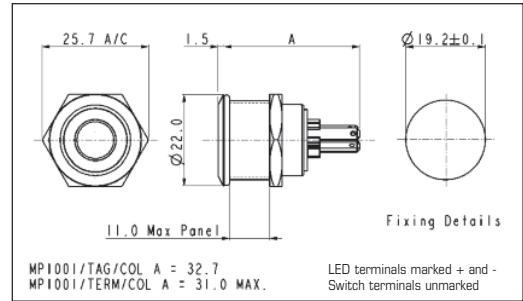


Stainless Steel Illuminated Vandal Resistant

FRONT PANEL MOUNTING



- Dot Illuminated
- 22mm diameter
- S.P. Push to Make
- 50mA, 24V dc contact rating
- Red, Green, Amber, Blue, White or Dual Colour Illumination
- Bright Daylight LEDs
- Separate LED Terminals



Specification

MPI001/Termination/Colour

Terminations:	/28 (2.8mm tabs), /Term (screw terminals)							
Switching:	S.P. Push to make, tactile							
Max. Switch Rating:	50mA, 24V d.c.							
LEDs (ratings @ 20mA)								
Colours	Red	Green	Amber	Blue	White	Red / Green	Red / Blue	Blue / Green
Luminous Intensity	900mcd	2500mcd	900mcd	1500mcd	900mcd	2500mcd 5000mcd	2000mcd 850mcd	2000mcd 4000mcd
Forward Voltage*	1.85V	3.5V	2.3V	3.5V	3.6V	2.05V 3.6V	2.0V 3.6V	3.6V 3.6V
Forward Current	20mA	20mA	20mA	20mA	20mA	20mA	20mA	20mA
Part No.	/RD	/GN	/AM	/BL	/WH	/D1	/D4	/D5
	*An appropriate resistor must be series connected by the user							
Contact Resistance:	<100mΩ							
Insulation Resistance:	>10 ³ MΩ							
Dielectric Strength:	Contact to Panel >2.0kV Contact to Contact 1500V							
Operating Temp. Range:	-30°C to +70°C							
Sealing (Front of panel only):	Protection Classification: IP66 EN60529 1992							
Operations								
Mechanical:	750,000 (min)							
Electrical:	35,000 (min)							
Operating Pressure:	12N							
Rear Nut Fixing Torque:	0.57Nm							
Materials								
Switch assembly:	UL94V-0 rated Polyamide (Nylon)							
Tags:	Copper Alloy							
Terminals:	Copper Alloy							
Switch Body & Button:	Stainless Steel							
Lens and Lens Body:	Polycarbonate							
O ring:	Nitrile							
Internal seal:	Silicone							
Contact Plate:	Gold Plated							



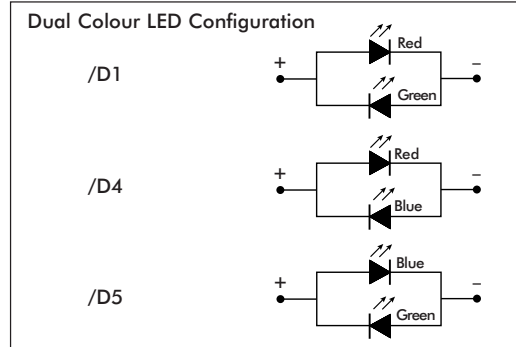
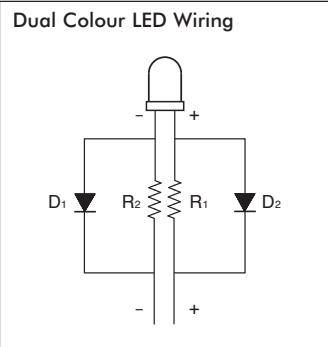
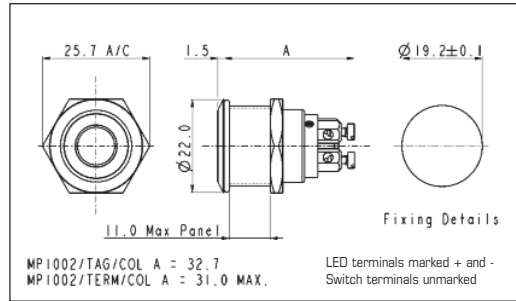
ESD Handling precautions must be taken
Compliant

Stainless Steel Illuminated Vandal Resistant

FRONT PANEL MOUNTING



- Ring Illuminated
- 22mm diameter
- S.P. Push to Make
- 50mA, 24V dc contact rating
- Red, Green, Amber, Blue, White or Dual Colour Illumination
- Bright Daylight LEDs
- Separate LED Terminals



Specification

MPI002/Termination/Colour

Terminations:	/28 (2.8mm tabs), /Term (screw terminals)											
Switching:	S.P. Push to make, tactile											
Max. Switch Rating:	50mA, 24V d.c.											
LEDs (ratings @ 20mA)												
Colours	Red	Green	Amber	Blue	White	Red / Green	Red / Blue	Blue / Green				
Luminous Intensity	900mcd	2500mcd	900mcd	1500mcd	900mcd	2500mcd	5000mcd	2000mcd	850mcd	2000mcd	4000mcd	
Forward Voltage*	1.85V	3.5V	2.3V	3.5V	3.6V	2.05V	3.6V	2.0V	3.6V	3.6V	3.6V	
Forward Current	20mA	20mA	20mA	20mA	20mA	20mA		20mA		20mA		
Part No.	/RD	/GN	/AM	/BL	/WH	/D1		/D4		/D5		
	*An appropriate resistor must be series connected by the user											
Contact Resistance:	<100mΩ											
Insulation Resistance:	>10 ³ MΩ.											
Dielectric Strength:	Contact to Panel >2.0kV Contact to Contact 1500V											
Operating Temp. Range:	-30°C to +70°C											
Sealing (Front of panel only):	Protection Classification: IP66 EN60529 1992											
Operations												
Mechanical:	750,000 (min)											
Electrical:	35,000 (min)											
Operating Pressure:	12N											
Rear Nut Fixing Torque:	0.57Nm											
Materials												
Switch assembly:	UL94V-0 rated Polyamide (Nylon)											
Tags:	Copper Alloy											
Terminals:	Copper Alloy											
Switch Body & Button:	Stainless Steel											
Lens and Lens Body:	Polycarbonate											
O ring:	Nitrile											
Internal seal:	Silicone											
Contact Plate:	Gold Plated											

ESD Handling precautions must be taken

Compliant

