

Accessories & Sockets

8 & 11 Pin, Octal Sockets

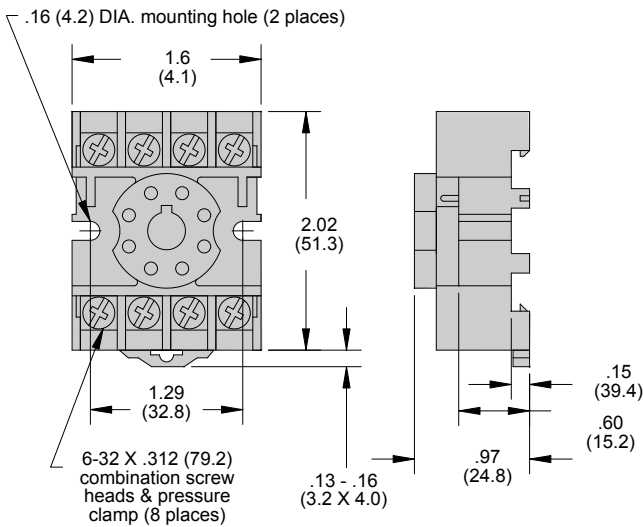


The 8 & 11 pin screw terminal sockets provide DIN rail or panel mounting options. The pressure clamp screw terminals holds wires mechanically secure and provide excellent electrical connections. Terminals accept up to two # 12 AWG wires. One piece stamped metal interconnections. No welded or soldered connections.

Outline Dimensions

Dimensions Shown in inches & (millimeters)

8 Pin Octal

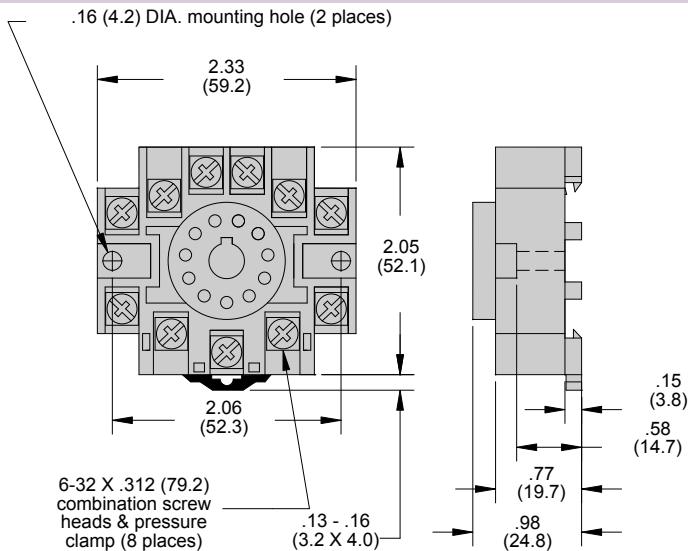


8 Pin Socket

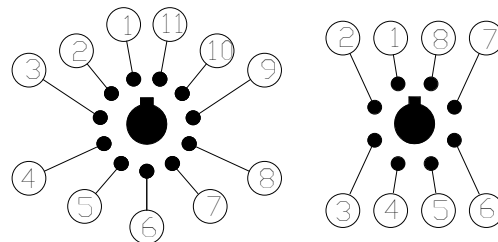


11 Pin Socket

11 Pin Socket



Wire Diagram (Top View)



Part Number Chart

Part Numbers	Style	Weight (Grams)
SK-CIR8-DS	8 Pin octal socket, panel / DIN mount, screw terminals	23.8
SK-CIR11-DS	11 Pin octal socket, panel / DIN mount, screw terminals	75