

Magnecraft

191 Waukegan Rd, Ste 206

Northfield, IL 60093-2743

Phone: (847)441-2526

Fax: (847)441-2522

Email: info@magnecraft.com

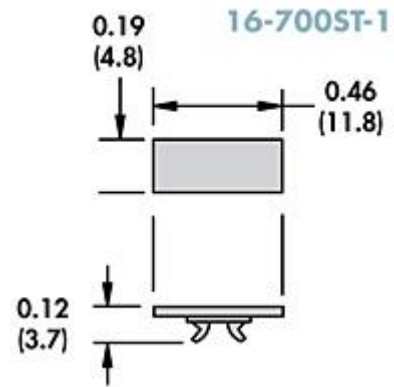
Item # 16-700ST-1, I.D. Tag/Write-On Plastic Labels

I.D. Tag/Write-On Plastic Labels

Write-On Plastic Label

16-782ST plastic label sold as a 108 piece tear-off card.

This Item is Normally Stocked



SPECIFICATIONS

Function	ID Tag (Push-In)
Packaging Minimum	Tear-off card/108 pieces
Socket Part Number	70-782D14-1 70-782E14-1 70-782EL11-1 70-782EL14-1 70-782EL8-1
