

4

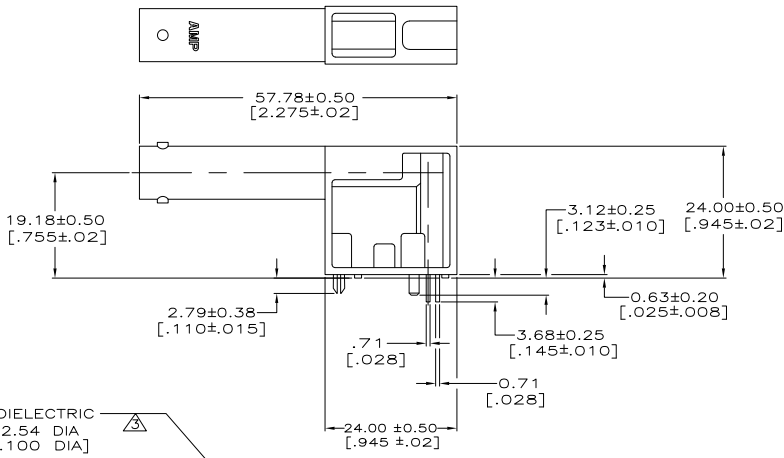
3

2

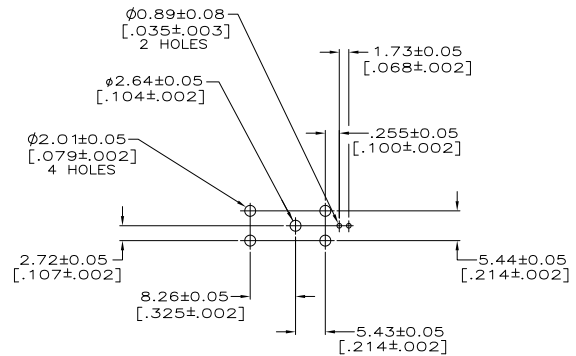
1

THIS DRAWING IS UNPUBLISHED. RELEASED FOR PUBLICATION
 BY TYCO ELECTRONICS CORPORATION. ALL RIGHTS RESERVED.

LOC		DIBT		REVISIONS			
P	LTR	DESCRIPTION	DATE	BY	APPD		
AJ	16	B	REV PER EDD 08-01&365	3DEC2008	DW	JL	



- 1 ZINC PER QQ-Z-363
- 2 BERYLLIUM COPPER PER QQ-C-530.
- 3 POLYMETHYLPENTENE, GENERAL PURPOSE.
- 4 NICKEL PLATE PER QQ-N-290, 3.81μm [.000150] MINIMUM THICK.
- 5 GOLD PLATE PER ASTM-B-488, 0.76μm [.000030] MINIMUM THICK.
- 6 INTERFACE PER MIL-C-39012.
- 7 BRASS PER ASTM-B-16.
- 8 TIN PLATE PER ASTM-B-545, 3.81μm [.000150] MINIMUM THICK.



PCB CONFIGURATION

5414974-1
PART NO

THIS DRAWING IS A CONTROLLED DOCUMENT.		DWG: J. ALCORTA 27APR2005 CHK: J. HAVENER 27APR2005 APP: J. LIPPERT 27APR2005	Tyco Electronics Corporation Harrisburg, PA 17105-3608
DIMENSIONS: mm (INCHES)	TO DIMENSIONS UNLESS OTHERWISE SPECIFIED.	PRODUCT SPEC: 108-12078 APPLICATION SPEC: - WEIGHT: -	SIZE: A2 CASE CODE: 00779 DRAWING NO: C=5414974
MATERIAL: SEE NOTES 1,2,3,7 FINISH: SEE NOTES 4,5,8	CUSTOMER DRAWING	SCALE: 4:1 SHEET: 1 of 1 REV: B	RESTRICTED TO: -

AMP 1471-9 REV 31MM2000

5414974

A