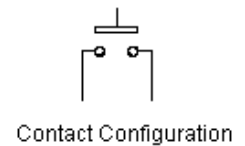
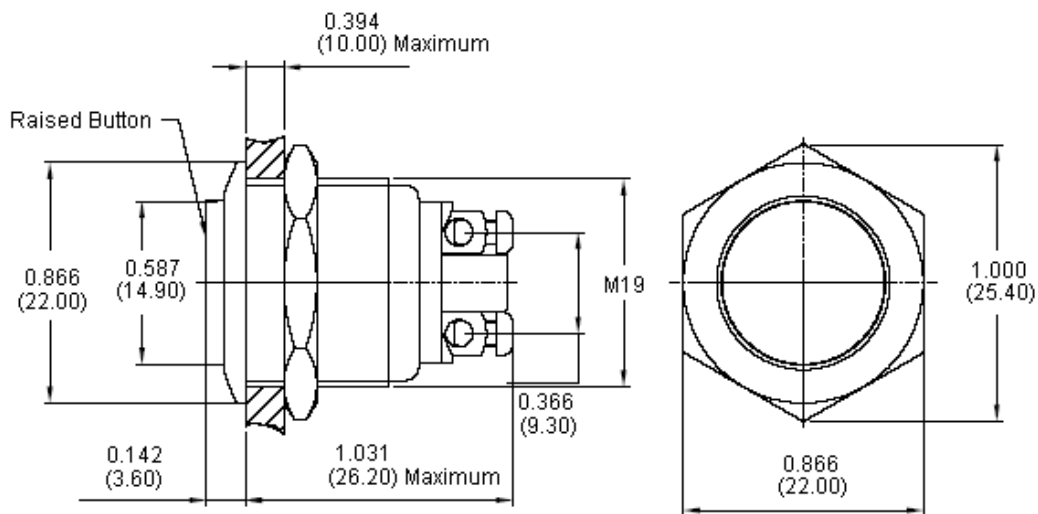


Anti-Vandal Switch



Dimensions : Millimetres (Inches)

Specifications:

Contact rating	: 2A at 36V dc.
Electrical life	: 200,000 cycles.
Maximum contact resistance	: 50mΩ (initial).
Minimum insulation resistance	: 1000MΩ at 500V dc.
Dielectric strength	: 2000V rms 50 to 60Hz.
Operating temperature	: -20°C to +55°C.
Switching circuit	: Off-MOM.
IP class	: IP65 protection.
Maximum torque	: 5 to 14Nm applied to nut.
Maximum operating force	: 4N.

<http://www.farnell.com>
<http://www.newark.com>
<http://www.cpc.co.uk>



Anti-Vandal Switch



Specifications:

Materials:

Bushing and button : Refer to above table.
Contact : Silver alloy.
Nut : Nickel plated brass.
Base : PBT.

Code	Bushing and Button Material
B22	Stainless Steel with Varnished Polished

Part Number Table

Description	Part Number
Switch, Anti-Vandal, Off-MOM, Raised	AV01-B22-M1-R-IP65

Disclaimer This data sheet and its contents (the "Information") belong to the Premier Farnell Group (the "Group") or are licensed to it. No licence is granted for the use of it other than for information purposes in connection with the products to which it relates. No licence of any intellectual property rights is granted. The Information is subject to change without notice and replaces all data sheets previously supplied. The Information supplied is believed to be accurate but the Group assumes no responsibility for its accuracy or completeness, any error in or omission from it or for any use made of it. Users of this data sheet should check for themselves the Information and the suitability of the products for their purpose and not make any assumptions based on information included or omitted. Liability for loss or damage resulting from any reliance on the Information or use of it (including liability resulting from negligence or where the Group was aware of the possibility of such loss or damage arising) is excluded. This will not operate to limit or restrict the Group's liability for death or personal injury resulting from its negligence. SPC Multicomp is the registered trademark of the Group. © Premier Farnell plc 2010.

<http://www.farnell.com>
<http://www.newark.com>
<http://www.cpc.co.uk>

