



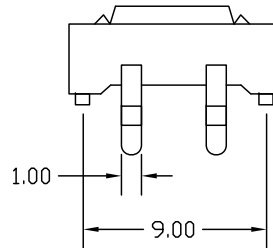
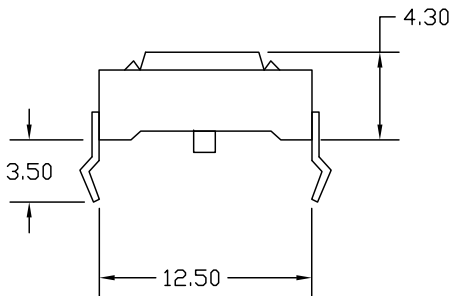
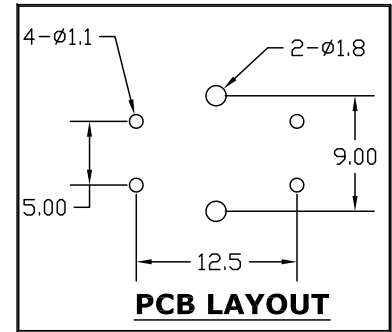
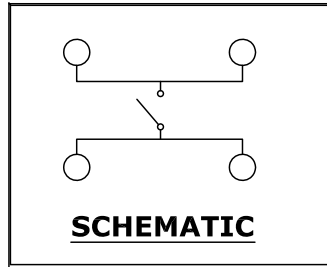
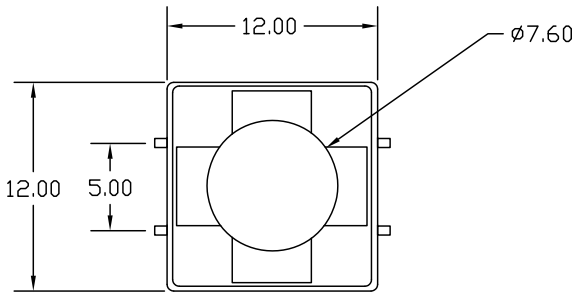
ALL RIGHTS RESERVED. NO PORTION OF THIS PUBLICATION, WHETHER IN WHOLE OR IN PART, CAN BE REPRODUCED WITHOUT THE EXPRESS WRITTEN CONSENT OF SPC TECHNOLOGY.

SPC-F005.DWG

REVISIONS

DOC. NO. SPC-F005 * Effective: 7/8/02 * DCP No. 1399

DCP #	REV	DESCRIPTION	DRAWN	DATE	CHECKD	DATE	APPRVD	DATE
2013	A	RELEASED	JN	06/03/09	JWM	06/03/09	JWM	06/03/09



DISCLAIMER:
ALL STATEMENTS AND TECHNICAL INFORMATION CONTAINED HEREIN ARE BASED UPON INFORMATION AND/OR TESTS WE BELIEVE TO BE ACCURATE AND RELIABLE. SINCE CONDITIONS OF USE ARE BEYOND OUR CONTROL, THE USER SHALL DETERMINE THE SUITABILITY OF THE PRODUCT FOR THE INTENDED USE AND ASSUME ALL RISK AND LIABILITY WHATSOEVER IN CONNECTION THEREWITH.

TOLERANCES:
UNLESS OTHERWISE SPECIFIED, DIMENSIONS ARE FOR REFERENCE PURPOSES ONLY.

DRAWN BY:	DATE:
JASON NASH	06/03/09
CHECKED BY:	DATE:
JEFF McVICKER	06/03/09
APPROVED BY:	DATE:
JEFF McVICKER	06/03/09

DRAWING TITLE:			
TACT SWITCHES			
SIZE	DWG. NO.	ELECTRONIC FILE	REV
A	SPC21106	11M0300.dwg	A
SCALE: NTS		U.O.M.: mm	SHEET: 1 OF 2



SPECIFICATION

ELECTRICAL

CONTACT RATING: 50mA AT 12 VDC
CONTACT RESISTANCE: 100 MILLIOHMS MAX
INSULATION RESISTANCE: 100 MEGOHMS MIN. AT 500 VDC
DIELECTRIC STRENGTH: 250 VAC FOR 1 MINUTE

MECHANICAL

OPERATION LIFE: 100,000 CYCLES MIN.
TRAVEL: 0.25

ENVIRONMENT

OPERATING TEMPERATURE: -20°C TO +70°C
STORAGE TEMPERATURE: -30°C TO +80°C

MATERIAL

HOUSING: NYLON 4/16 G30, UL94V-0, BLACK
ACTUATOR: NYLON 4/16 G30, UL94V-0, BLACK
TERMINALS: BRASS, SILVER PLATED
CONTACT: STAINLESS STEEL

ALL RIGHTS RESERVED. NO PORTION OF THIS PUBLICATION, WHETHER IN WHOLE OR IN PART CAN BE REPRODUCED WITHOUT THE EXPRESS WRITTEN CONSENT OF SPC TECHNOLOGY.

SIZE DWG. NO.

A

SPC21106

ELECTRONIC FILE

11M0300.DWG

REV

A

SPC-F005.DWG

DOC. NO. SPC-F005 * Effective: 7/8/02 * DCP No: 1398

SCALE: NTS

U.D.M.: INCHES [mm]

SHEET: 2 OF 2