

Sealed Automotive/Marine Nylon Snap-In Rocker, Illuminated

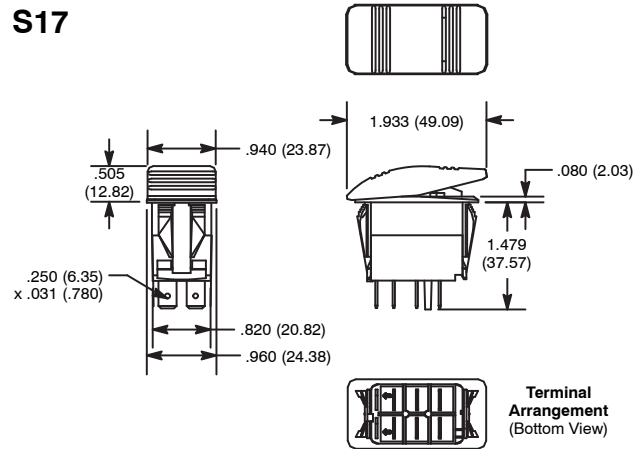


Features

- IP66/IP68 Certified
- UL1500 Recognized – Ignition Protection for Marine Use
- Sealed for Auto/Marine applications
- Salt Spray Resistant
- Able to Withstand -40° to $+85^{\circ}\text{C}$ Temperature



S17



NOTE: Lamp wired to Terminals 3 and 7.

Specifications

- Current Rating:** 20A 12VDC
- Lamp Voltage:** 12V Incandescent
- Insulation Resistance:** 50 Megohms (min.)
- Dielectric Strength:** 1500V RMS (min.)
- Temperature Rating:** -40° to $+185^{\circ}\text{F}$ (-40° to $+85^{\circ}\text{C}$)
- Electrical Life:** 50,000 to 100,000 cycles circuit dependent
- Mechanical Life:** 150,000 cycles
- Terminal Type:** .250" Tab Q.C.
- Mounting Hole:** 1.450 (36.83) x .830 (21.08)

NTE Type No.	Circuitry	Action			Actuator	Lens Color	Diag No.	
54-034	SPST	ON	NONE	OFF	Illuminated Thermoplastic polycarbonate with a hard Nylon 66 thermoplastic surface overlay	Amber	S17	
54-035	SPST	ON	NONE	OFF		Red	S17	
54-036	DPDT	ON	OFF	ON		Green	S17	
54-037	DPDT	ON	OFF	ON		Red	S17	
54-038	SPST	(ON)	NONE	OFF		Amber	S17	
54-039	SPST	(ON)	NONE	OFF		Red	S17	
54-040	DPDT	(ON)	OFF	(ON)		Amber	S17	
54-041	DPDT	(ON)	OFF	(ON)		Green	S17	
54-042	DPDT	(ON)	OFF	(ON)		Red	S17	
54-043	DPDT	(ON)	OFF	(ON)		Blue	S17	
54-087	SPST	ON	NONE	OFF		Illuminated Thermoplastic polycarbonate with a hard Nylon 66 thermoplastic surface overlay	Green	S17
54-088	SPST	ON	NONE	OFF			Blue	S17
54-089	DPDT	ON	OFF	ON			Amber	S17
54-090	DPDT	ON	OFF	ON	Blue		S17	
54-091	SPST	(ON)	NONE	OFF	Green		S17	
54-092	SPST	(ON)	NONE	OFF	Blue		S17	

SPECIAL NOTE: () = Momentary Function