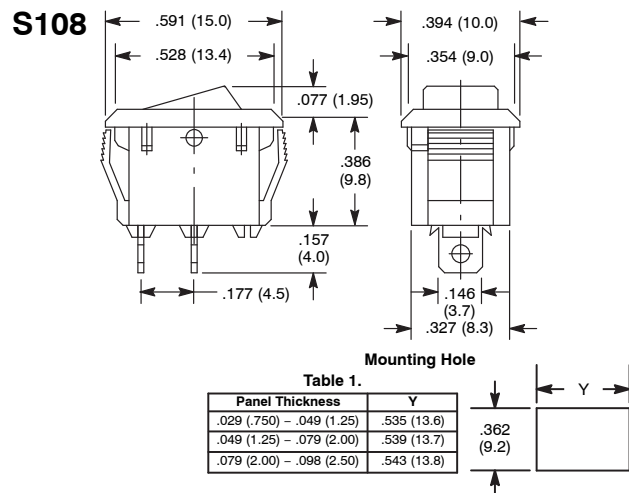


Micro Snap-In Nylon Rocker



Features

- Fits Standard Panel Cutout
- RoHS Compliant



Specifications

Current Rating: 6A 125VAC, 3A 250VAC, 3A 250VAC T100/55
Insulation Resistance: 100 Megohms (min.) at 500VDC
Dielectric Strength: 1000V RMS (min.) for 1 minute
Temperature Rating: +32° to +212°F (0° to +100°C)
Electrical Life: 10,000 cycles
Mechanical Life: 50,000 cycles
Terminal Type: Solder Lug
Mounting Hole: See Table 1.

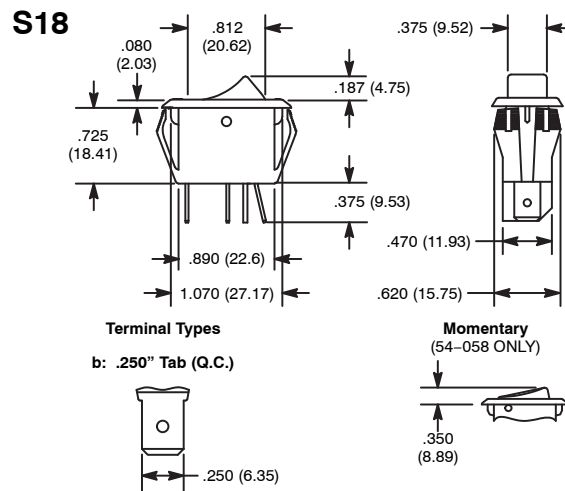
NTE Type No.	Circuitry	Action			Actuator	Legend	Diag No.
NEW 54-870	SPST	ON	NONE	OFF	White Nylon	Yes	S108
NEW 54-872	SPST	ON	NONE	OFF	Black Nylon	Yes	S108
NEW 54-874	SPST	ON	NONE	OFF	Red Nylon	No	S108

Miniature Snap-In Nylon Rocker



Features

- Fits Standard Panel Cutout



Specifications

Current Rating: 16A 125VAC, 10A 250VAC, 3/4 HP 125-250VAC 10(4)A 250VAC μ T85
(54-058 Only) 12A 125VAC, 8A 250VAC, 1/2 HP 125-250VAC
Insulation Resistance: 100 Megohms (min.)
Dielectric Strength: 1000V RMS (min.)
Temperature Rating: +32° to +185°F (0° to +85°C)
Electrical Life: 100,000 cycles
Mechanical Life: 100,000 cycles
Terminal Type: .250" Tab Q.C.
Mounting Hole: 1.125 (28.58) x .550 (13.97)

NTE Type No.	Circuitry	Action			Actuator		Diag No.
					Material	Color	
54-058*	SPST	OFF	NONE	(ON)	Polyester or Nylon	White	S18b
54-059**	SPST	OFF	NONE	ON		Black	S18b
54-060	SPST	OFF	NONE	ON		Black	S18b
54-061	SPDT	ON	NONE	ON		Black	S18b
54-062**	SPST	OFF	NONE	ON		Black	S18b
54-063	SPDT	ON	OFF	ON		Black	S18b

SPECIAL NOTE: () = Momentary Function
* Momentary Rocker Style White Actuator
** Two Color Visi-Red Visi-Rocker Style Actuator

Miniature Snap-In Nylon Rocker



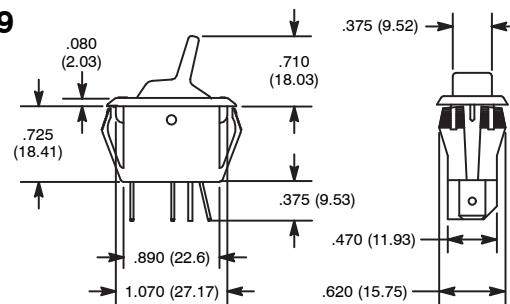
Features

- Fits Standard Panel Cutout



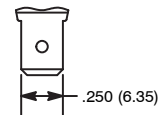
NTE Type No.	Circuitry	Action			Actuator		Diag No.
					Material	Color	
54-102	SPST	OFF	NONE	ON	Polyester or Nylon	Black	S19b

S19



Terminal Types

b: .250" Tab (Q.C.)



Specifications

Current Rating: 16A 125VAC, 10A 250VAC, 10(4)A 250VAC μ T85
Insulation Resistance: 100 Megohms (min.)
Dielectric Strength: 1000V RMS (min.)
Temperature Rating: +32° to +185°F (0° to +85°C)
Electrical Life: 100,000 cycles
Mechanical Life: 100,000 cycles
Terminal Type: .250" Tab Q.C.
Mounting Hole: 1.125 (28.58) x .550 (13.97)

Miniature Snap-In Nylon Rocker



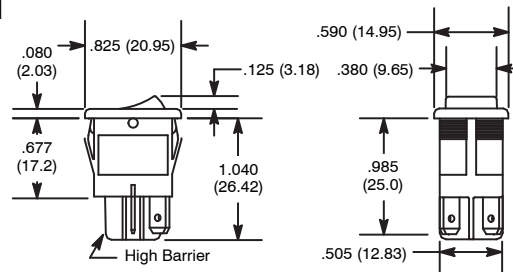
Features

- Single & Double Pole Types
- Double Insulated
- High Barrier Type



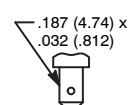
NTE Type No.	Circuitry	Action			Actuator		Diag No.
					Material	Color	
54-074	SPDT	ON	NONE	ON	Nylon	Black	S21b
54-075	SPST	ON	NONE	OFF	Nylon	Black	S21b
54-076	DPST	ON	NONE	OFF	Nylon	Black	S21b
54-077	SPDT	ON	NONE	ON	Nylon	Black	S21b

S21



Terminal Types

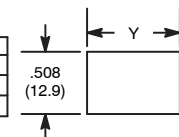
b: .187" Tab (Q.C.)



Mounting Hole

Table 1.

Panel Thickness	Y
.030 (.762) - .060 (1.52)	.756 (19.20)
.060 (1.52) - .093 (2.36)	.764 (19.40)
.093 (2.36) - .156 (3.96)	.780 (19.81)



Specifications

Current Rating: 8A 125VAC, 4A 250VAC, Inductive 6(4)A 250VAC T85**
Insulation Resistance: 100 Megohms (min.)
Dielectric Strength: 1000V RMS (min.)
Temperature Rating: +32° to +185° (0°C to +85°C)
Electrical Life: 50,000 cycles
Mechanical Life: 100,000 cycles
Terminal Type: .187" Tab Q.C.
Mounting Hole: See Table 1

** 54-075, 54-076, 54-077 ONLY

Miniature Snap-In Nylon Rocker

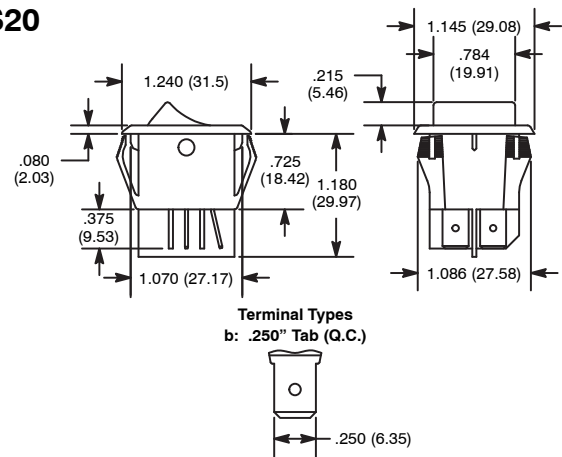


Features

- .250" Quick Connect Terminals
- Fits Standard Panel Cutout
- Withstand Peak Inrush to 100 Amps



S20



Specifications

Current Rating: 20A 125VAC, 15A 250VAC, 3/4 HP 125–250VAC
Insulation Resistance: 100 Megohms (min.)
Dielectric Strength: 1000V RMS (min.)
Temperature Rating: -40° to +185°F (-40° to +85°C)
Electrical Life: 50,000 cycles
Mechanical Life: 100,000 cycles
Terminal Type: .250" Tab Q.C.
Mounting Hole: 1.125 (28.58) x 1.000 (25.4)

NTE Type No.	Circuitry	Action			Actuator		Diag No.
					Material	Color	
54-081	DPST	OFF	NONE	ON	Nylon	Black	S20b

Snap-In Nylon Rocker

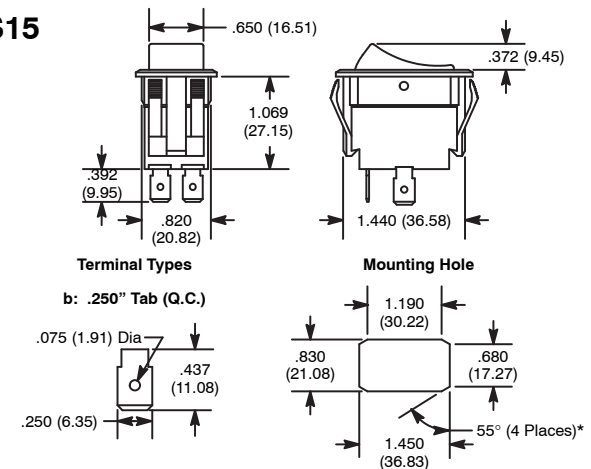


Features

- AC Rated, Also Suitable for Low Voltage DC Applications



S15



* Angled corners are suggested for optimum fit. Standard rectangular cutout is acceptable

Specifications

Current Rating: 15A 125VAC, 10A 250VAC, 3/4 HP 125–250VAC
Insulation Resistance: 100 Megohms (min.)
Dielectric Strength: 1000V RMS (min.)
Temperature Rating: +32° to +185°F (0° to +85°C)
Electrical Life: 50,000 cycles
Mechanical Life: 100,000 cycles (min.)
Terminal Type: .250" Tab Q.C.
Mounting Hole: 1.450 (36.83) x .830 (21.08)

NTE Type No.	Circuitry	Action			Actuator		Diag No.
					Material	Color	
54-047	SPST	ON	NONE	OFF	Nylon	Black	S15b
54-048	SPDT	ON	NONE	ON	Nylon	Black	S15b
54-049	SPDT	ON	OFF	ON	Nylon	Black	S15b
54-050	DPST	ON	NONE	OFF	Nylon	Black	S15b
54-051	DPDT	ON	NONE	ON	Nylon	Black	S15b
54-052	DPDT	ON	OFF	ON	Nylon	Black	S15b
54-114	DPST	(ON)	NONE	OFF	Nylon	Black	S15b
54-115	DPST	ON	NONE	(OFF)	Nylon	Black	S15b
54-116	DPDT	ON	NONE	(ON)	Nylon	Black	S15b
54-117	DPDT	ON	OFF	(ON)	Nylon	Black	S15b
54-118	DPDT	(ON)	OFF	(ON)	Nylon	Black	S15b

SPECIAL NOTE: () = Momentary Function

Snap-In Nylon Rocker

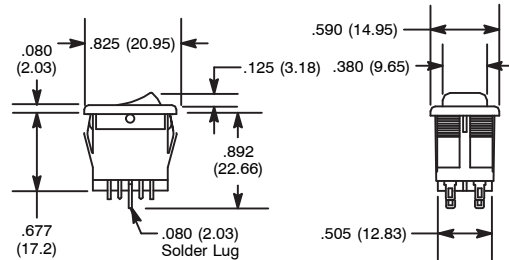


Features

- Double Pole Types
- Double Insulated

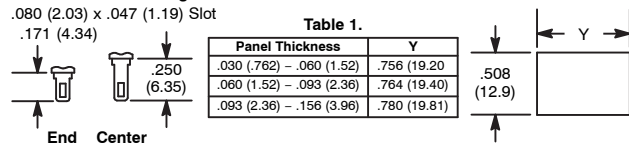


S22



Terminal Types
a: .080" Solder Lug
.080 (2.03) x .047 (1.19) Slot
.171 (4.34)

Mounting Hole



NTE Type No.	Circuitry	Action			Actuator		Diag No.
					Material	Color	
54-073	DPDT	ON	NONE	ON	Nylon	Black	S22a
54-078	DPDT	ON	NONE	(ON)	Nylon	Black	S22a
54-079	DPDT	ON	OFF	ON	Nylon	Black	S22a

SPECIAL NOTE: () = Momentary Function

Sealed Automotive/Marine Nylon Snap-In Rocker

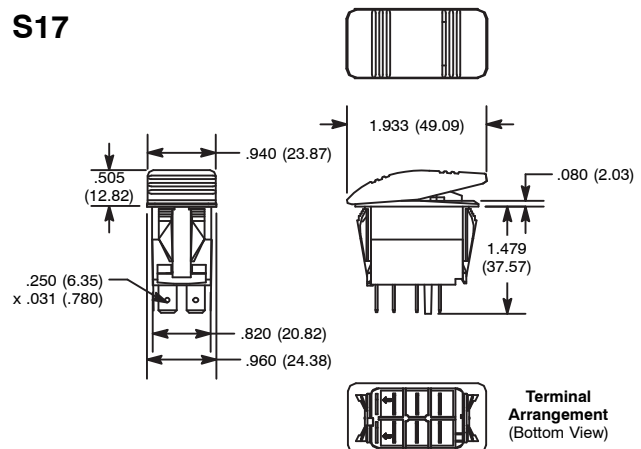


Features

- Illuminated Types Available on Page 36
- IP66/IP68 Certified
- UL1500 Recognized - Ignition Protection for Marine Use
- Sealed for Auto/Marine applications
- Salt Spray Resistant
- Able to Withstand -40° to +85°C Temperature



S17



Terminal Arrangement (Bottom View)

NTE Type No.	Circuitry	Action			Actuator	Diag No.
54-044	SPST	ON	NONE	OFF	Thermoplastic polycarbonate with a hard Nylon 66 thermoplastic surface overlay	S17
54-045	DPDT	ON	NONE	ON		S17
54-046	DPDT	ON	OFF	ON		S17
54-639	DPDT	(ON)	OFF	(ON)		S17

NEW

SPECIAL NOTE: () = Momentary Function

Specifications

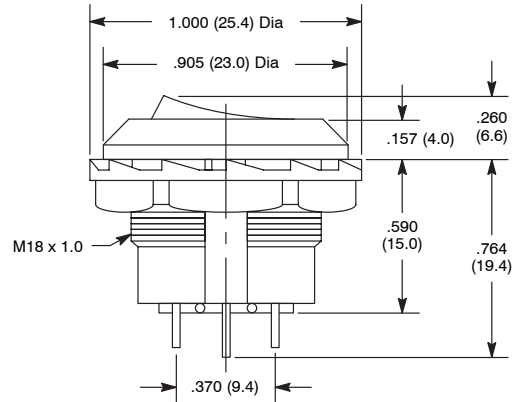
Current Rating: 20A 12VDC
Insulation Resistance: 50 Megohms (min.)
Dielectric Strength: 1500V RMS (min.)
Temperature Rating: -40° to +185°F (-40° to +85°C)
Electrical Life: 50,000 to 100,000 cycles circuit dependent
Mechanical Life: 150,000 cycles
Terminal Type: .250" Tab Q.C.
Mounting Hole: 1.450 (36.83) x .830 (21.08)

Round Hole Rocker



NTE Type No.	Circuitry	Action			Actuator	Legend	Diag No.
54-500	SPST	ON	NONE	OFF	Nylon	Yes	S89
54-501	SPDT	ON	NONE	ON	Nylon	No	S89
54-502	DPDT	ON	NONE	ON	Nylon	No	S89

S89



Specifications

Current Rating: 10A 125VAC, 6A 250VAC
Insulation Resistance: 100 Megohms (min.) at 500VDC
Dielectric Strength: 1000V RMS (min.)
Temperature Rating: -4° to +149° (-20°C to +65°C)
Electrical Life: 6000 cycles (min.)
Mechanical Life: 100,000 cycles (min.)
Terminal Type: Solder Lug
Mounting Hole: .717 (18.2)

Snap-In Round Hole Rocker



Features

- Waterproof Types Available on Page 26



NOTE: The 54-503, 54-520, 54-521 and 54-522 contain the ON/OFF legend not represented by the photo.

NTE Type No.	Circuitry	Action			Actuator	Legend	Diag No.
54-503	SPST	ON	NONE	OFF	Nylon	Yes	S90
54-504	SPDT	ON	OFF	ON	Nylon	No	S90
54-505	SPDT	ON	NONE	ON	Nylon	No	S90
54-520	SPST	(ON)	NONE	OFF	Nylon	Yes	S90
54-521	SPST	ON	NONE	(OFF)	Nylon	Yes	S90
54-522	SPDT	ON	NONE	(ON)	Nylon	Yes	S90

SPECIAL NOTE: () = Momentary Function

S90

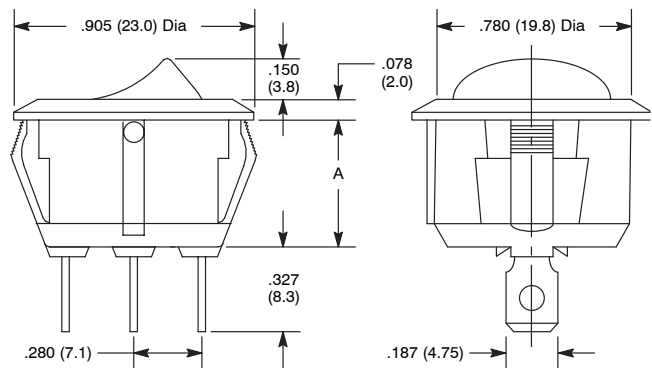


Table 1.

Device Type	A
All Devices	.472 (12.0)
54-504	.570 (14.5)

Specifications

Current Rating: 16A 125VAC, 10A 250VAC
Insulation Resistance: 100 Megohms (min.) at 500VDC
Dielectric Strength: 1500V RMS (min.)
Temperature Rating: -4° to +149°F (-20° to +65°C)
Electrical Life: 6000 cycles (min.)
Mechanical Life: 100,000 cycles (min.)
Terminal Type: .187" Tab Q.C.
Mounting Hole: .795 (20.2)

Round Hole Rocker, Square Bezel



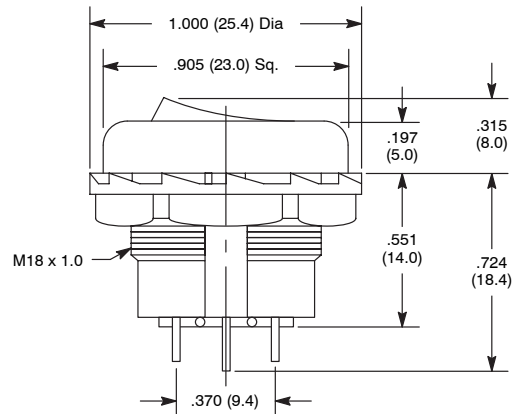
Features

- Single & Double Pole Types



NTE Type No.	Circuitry	Action			Actuator	Legend	Diag No.
54-507	SPST	ON	NONE	OFF	Red Nylon	Yes	S92
54-508	SPDT	ON	NONE	ON	Red Nylon	No	S92
54-509	DPDT	ON	NONE	ON	Red Nylon	No	S92

S92



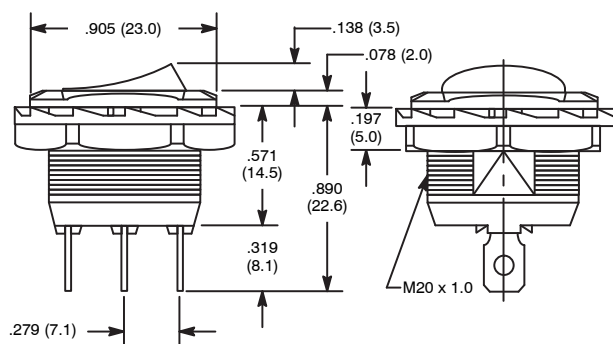
Specifications

Current Rating: 10A 125VAC, 6A 250VAC
Insulation Resistance: 100 Megohms (min.) at 500VDC
Dielectric Strength: 1500V RMS (min.)
Temperature Rating: -4°F to +149°F (-20°C to +65°C)
Electrical Life: 6000 cycles (min.)
Mechanical Life: 100,000 cycles (min.)
Terminal Type: Solder Lug
Mounting Hole: .717 (18.2)

Round Hole Rocker



S93



Specifications

Current Rating: 16A 125VAC, 10A 250VAC
Insulation Resistance: 100 Megohms (min.) at 500VDC
Dielectric Strength: 1500V RMS (min.)
Temperature Rating: -4° to +149°F (-20° to +65°C)
Electrical Life: 6000 cycles (min.)
Mechanical Life: 100,000 cycles (min.)
Terminal Type: .185" Tab Q.C.
Mounting Hole: .795 (20.2)

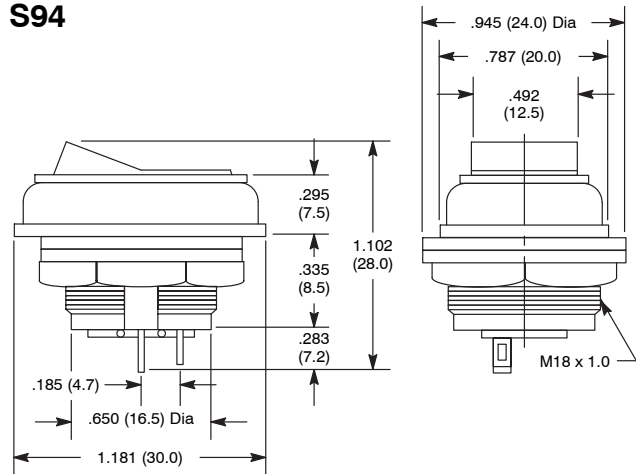
NTE Type No.	Circuitry	Action			Actuator	Legend	Diag No.
54-510	SPST	ON	NONE	OFF	Nylon	Yes	S93
54-511	SPDT	ON	OFF	ON	Nylon	No	S93
54-512	SPDT	ON	NONE	ON	Nylon	No	S93
54-543	SPST	(ON)	NONE	OFF	Nylon	Yes	S93
54-544	SPST	ON	NONE	(OFF)	Nylon	Yes	S93
54-545	SPDT	ON	NONE	(ON)	Nylon	Yes	S93
54-546	SPDT	ON	OFF	(ON)	Nylon	Yes	S93
54-548	SPDT	(ON)	OFF	(ON)	Nylon	No	S93

Round Hole Rocker



NTE Type No.	Circuitry	Action			Actuator	Legend	Diag No.
54-514	SPST	ON	NONE	OFF	Nylon	Yes	S94
54-515	SPDT	ON	NONE	ON	Nylon	No	S94
54-516	DPDT	ON	NONE	ON	Nylon	No	S94

S94



Specifications

- Current Rating:** 6A 125VAC, 3A 250VAC
- Insulation Resistance:** 100 Megohms (min.) at 500VDC
- Dielectric Strength:** 1500V RMS (min.)
- Temperature Rating:** -4° to +149°F (-20° to +65°C)
- Electrical Life:** 6000 cycles (min.)
- Mechanical Life:** 100,000 cycles (min.)
- Terminal Type:** Solder Lug
- Mounting Hole:** .717 (18.2)