



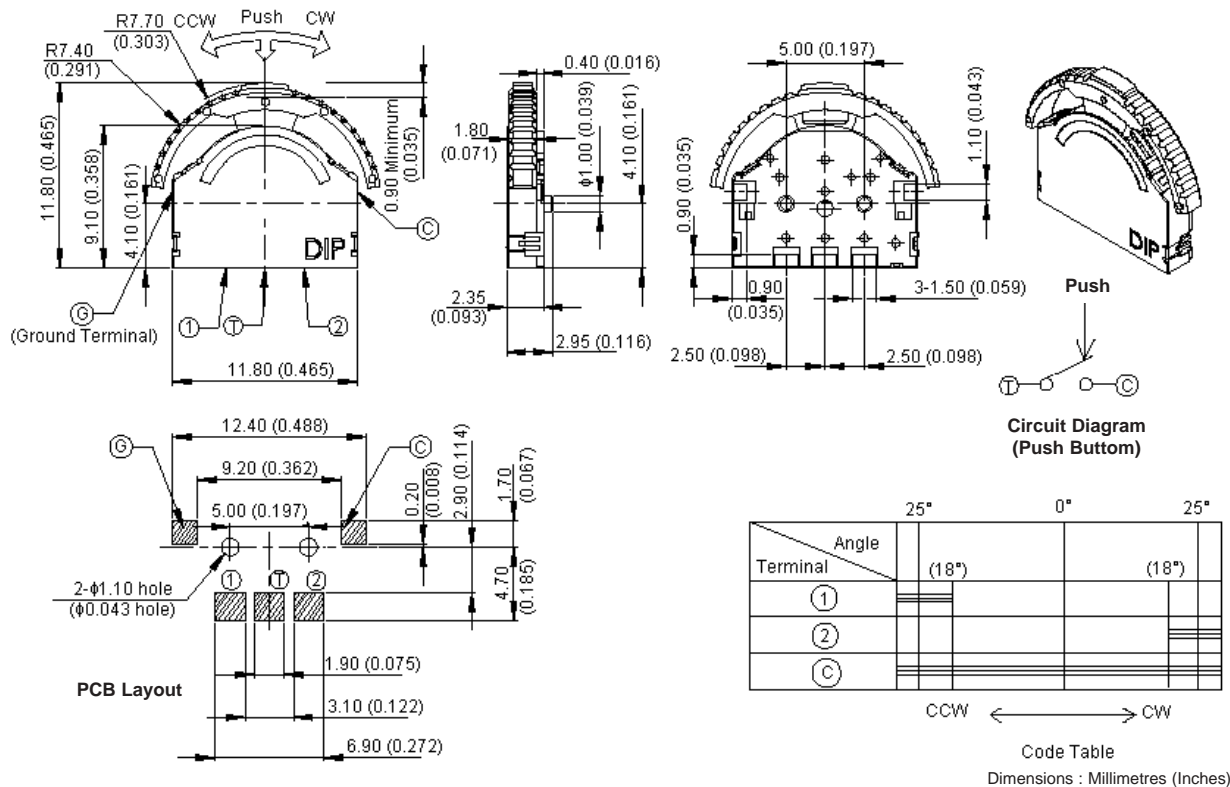
PART NO.

MCPL3 - Series

REVISIONS

ECN #	REV	DESCRIPTION	DRAWN	DATE	CHECKD	DATE	APPRVD	DATE
-	A	RELEASED	Geetha	03/6/08	Suresh	03/6/08	G. C	17/6/08

MCPL3-AC-V



Terminal	25°	0°	25°
①	(18°)		(18°)
②			
ⓐ			

Code Table
Dimensions : Millimetres (Inches)

This data sheet and its contents (the "Information") belong to the Premier Farnell Group (the "Group") or are licensed to it. No licence is granted for the use of it other than for information purposes in connection with the products to which it relates. No licence of any intellectual property rights is granted. The Information is subject to change without notice and replaces all data sheets previously supplied. The Information supplied is believed to be accurate but the Group assumes no responsibility for its accuracy or completeness, any error in or omission from it or for any use made of it. Users of this data sheet should check for themselves the Information and the suitability of the products for their purpose and not make any assumptions based on information included or omitted. Liability for loss or damage resulting from any reliance on the Information or use of it (including liability resulting from negligence or where the Group was aware of the possibility of such loss or damage arising) is excluded. This will not operate to limit or restrict the Group's liability for death or personal injury resulting from its negligence. SPC MULTICOMP is the registered trademark of the Group. © Premier Farnell plc 2008.

TOLERANCES:
UNLESS OTHERWISE SPECIFIED, DIMENSIONS ARE FOR REFERENCE PURPOSES ONLY.

DRAWN BY:	DATE:
Geetha	03/06/08
CHECKED BY:	DATE:
Suresh	03/06/08
APPROVED BY:	DATE:
G.Cook	17/06/08

DRAWING TITLE:			
Navigation Switch - Push and Lever			
SIZE	DWG NO.	ELECTRONIC FILE	REV
A	M10001224	PL3-V_DWG	A
SCALE: NTS	U.O.M.: mm (Inches)	SHEET: 1 OF 4	



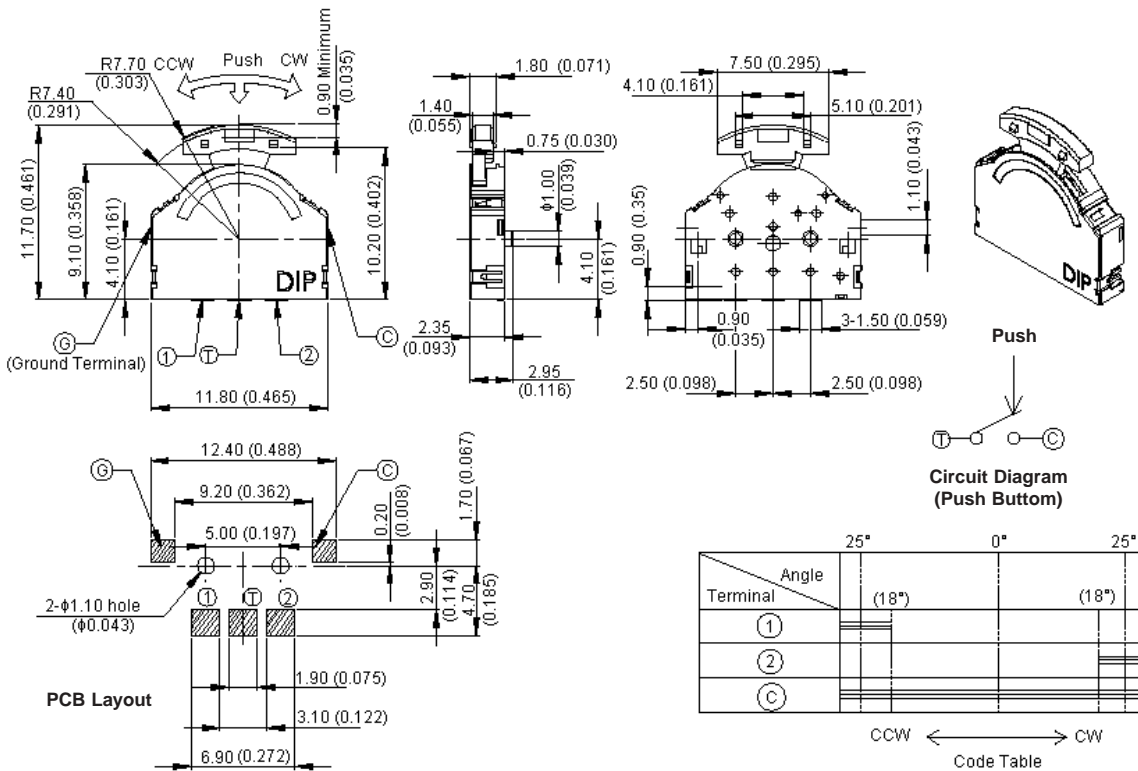
PART NO.

MCPL3 - Series

REVISIONS

ECN #	REV	DESCRIPTION	DRAWN	DATE	CHECKD	DATE	APPRVD	DATE
-	A	RELEASED	Geetha	03/6/08	Suresh	03/6/08	G. C	17/6/08

MCPL3-BC-V



This data sheet and its contents (the "Information") belong to the Premier Farnell Group (the "Group") or are licensed to it. No licence is granted for the use of it other than for information purposes in connection with the products to which it relates. No licence of any intellectual property rights is granted. The Information is subject to change without notice and replaces all data sheets previously supplied. The Information supplied is believed to be accurate but the Group assumes no responsibility for its accuracy or completeness, any error in or omission from it or for any use made of it. Users of this data sheet should check for themselves the Information and the suitability of the products for their purpose and not make any assumptions based on information included or omitted. Liability for loss or damage resulting from any reliance on the Information or use of it (including liability resulting from negligence or where the Group was aware of the possibility of such loss or damage arising) is excluded. This will not operate to limit or restrict the Group's liability for death or personal injury resulting from its negligence. SPC MULTICOMP is the registered trademark of the Group. © Premier Farnell plc 2008.

TOLERANCES:
UNLESS OTHERWISE SPECIFIED, DIMENSIONS ARE FOR REFERENCE PURPOSES ONLY.

DRAWN BY:	DATE:
Geetha	03/06/08
CHECKED BY:	DATE:
Suresh	03/06/08
APPROVED BY:	DATE:
G.Cook	17/06/08

DRAWING TITLE:			
Navigation Switch - Push and Lever			
SIZE	DWG NO.	ELECTRONIC FILE	REV
A	M10001224	PL3-V_DWG	A
SCALE: NTS	U.O.M.: mm (Inches)	SHEET: 2 OF 4	



PART NO.

MCPL3 - Series

REVISIONS

ECN #	REV	DESCRIPTION	DRAWN	DATE	CHECKD	DATE	APPRVD	DATE
-	A	RELEASED	Geetha	03/6/08	Suresh	03/6/08	G. C	17/6/08

Specifications:

Mechanical:

Operating force : Center push 200 ±100gf.
Lever {CW.CCW} 70 ±50gf.

Operating temperature range : -10°C to +60°C.

Storage temperature range : -30°C to 80°C.

Mechanical life : 100,000 cycles.

Electrical:

Electrical life : 100,000 cycles.

Rating : 10mA, 5V dc.

Maximum contact resistance : 500Ω.

Minimum insulation resistance : 100MΩ at 100V dc.

Dielectric strength : 100V ac/1 minute.

Circuit : Single pole single throw.

Material:

Cover : Stainless steel.

Base : Nylon high-temperature thermoplastic.

Color : Black.

Stem : Nylon high-temperature thermoplastic.

Color : Black.

Contact : Phosphor bronze with silver cladding at contact surface.

Terminal : Phosphor bronze with silver cladding at contact surface.

Spring : Stainless steel.

Soldering Process:

Hand Soldering : Use a soldering iron of 30 watts, controlled at 350°C approximately maximum 5 seconds while applying.

This data sheet and its contents (the "Information") belong to the Premier Farnell Group (the "Group") or are licensed to it. No licence is granted for the use of it other than for information purposes in connection with the products to which it relates. No licence of any intellectual property rights is granted. The Information is subject to change without notice and replaces all data sheets previously supplied. The Information supplied is believed to be accurate but the Group assumes no responsibility for its accuracy or completeness, any error in or omission from it or for any use made of it. Users of this data sheet should check for themselves the Information and the suitability of the products for their purpose and not make any assumptions based on information included or omitted. Liability for loss or damage resulting from any reliance on the Information or use of it (including liability resulting from negligence or where the Group was aware of the possibility of such loss or damage arising) is excluded. This will not operate to limit or restrict the Group's liability for death or personal injury resulting from its negligence. SPC MULTICOMP is the registered trademark of the Group. © Premier Farnell plc 2008.

TOLERANCES:

UNLESS OTHERWISE SPECIFIED, DIMENSIONS ARE FOR REFERENCE PURPOSES ONLY.

DRAWN BY:	DATE:
Geetha	03/06/08
CHECKED BY:	DATE:
Suresh	03/06/08
APPROVED BY:	DATE:
G.Cook	17/06/08

DRAWING TITLE:

Navigation Switch - Push and Lever

SIZE	DWG NO.	ELECTRONIC FILE	REV
A	M10001224	PL3-V_DWG	A
SCALE: NTS		U.O.M.: mm (Inches)	SHEET: 3 OF 4



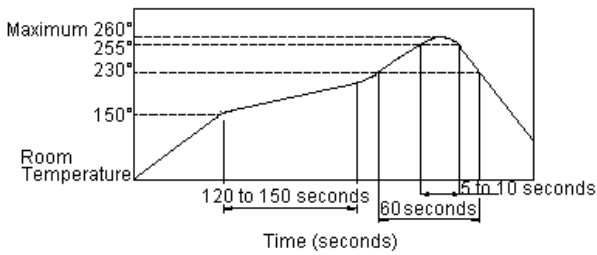
PART NO.

MCPL3 - Series

REVISIONS

ECN #	REV	DESCRIPTION	DRAWN	DATE	CHECKD	DATE	APPRVD	DATE
-	A	RELEASED	Geetha	03/6/08	Suresh	03/6/08	G. C	17/6/08

Temperature Profile:



Part Number Table

Description	Part Number
Navigation Switch, 3 Way SMD	MCPL3-AC-V
	MCPL3-BC-V

Part Number Explanation:

MC **PL** **3** - **A** **C** - **V**
 Push and Lever Switch Terminal Positions Actuator Type With Click Feel Lead Free Solderable

Terminal Positions : 3 = 3 Throws.
Actuator Type : A = Mounting Knob Integrated and B = Mounting Knob.

<http://www.farnell.com>
<http://www.newark.com>
<http://www.cpc.co.uk>

This data sheet and its contents (the "Information") belong to the Premier Farnell Group (the "Group") or are licensed to it. No licence is granted for the use of it other than for information purposes in connection with the products to which it relates. No licence of any intellectual property rights is granted. The Information is subject to change without notice and replaces all data sheets previously supplied. The Information supplied is believed to be accurate but the Group assumes no responsibility for its accuracy or completeness, any error in or omission from it or for any use made of it. Users of this data sheet should check for themselves the Information and the suitability of the products for their purpose and not make any assumptions based on information included or omitted. Liability for loss or damage resulting from any reliance on the Information or use of it (including liability resulting from negligence or where the Group was aware of the possibility of such loss or damage arising) is excluded. This will not operate to limit or restrict the Group's liability for death or personal injury resulting from its negligence. SPC MULTICOMP is the registered trademark of the Group. © Premier Farnell plc 2008.

TOLERANCES:
 UNLESS OTHERWISE SPECIFIED, DIMENSIONS ARE FOR REFERENCE PURPOSES ONLY.

DRAWN BY:	DATE:
Geetha	03/06/08
CHECKED BY:	DATE:
Suresh	03/06/08
APPROVED BY:	DATE:
G.Cook	17/06/08

DRAWING TITLE:			
Navigation Switch - Push and Lever			
SIZE	DWG NO.	ELECTRONIC FILE	REV
A	M10001224	PL3-V_DWG	A
SCALE: NTS		U.O.M.: mm (Inches)	SHEET: 4 OF 4