



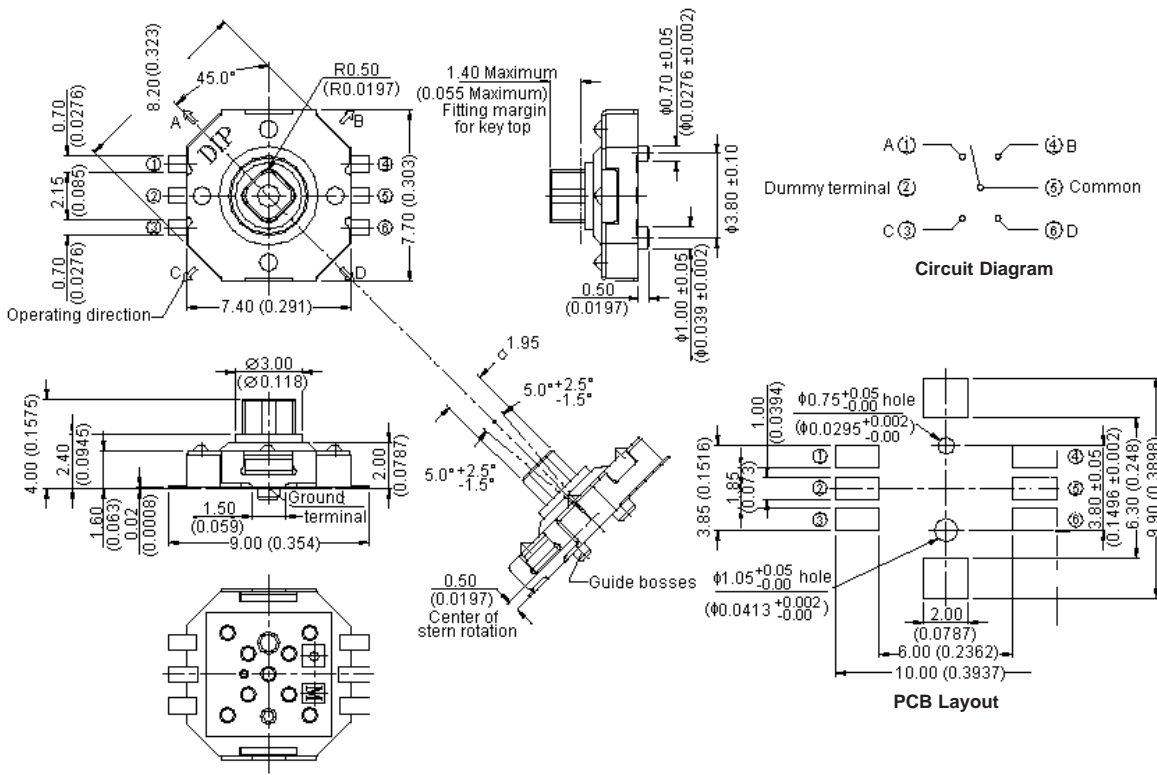
PART NO.

MCMT4 - Series

REVISIONS

ECN #	REV	DESCRIPTION	DRAWN	DATE	CHECKD	DATE	APPRVD	DATE
-	A	RELEASED	Geetha	03/6/08	Suresh	03/6/08	G. C	17/6/08

MCMT4-F



Dimensions : Millimetres (Inches)

This data sheet and its contents (the "Information") belong to the Premier Farnell Group (the "Group") or are licensed to it. No licence is granted for the use of it other than for information purposes in connection with the products to which it relates. No licence of any intellectual property rights is granted. The Information is subject to change without notice and replaces all data sheets previously supplied. The Information supplied is believed to be accurate but the Group assumes no responsibility for its accuracy or completeness, any error in or omission from it or for any use made of it. Users of this data sheet should check for themselves the Information and the suitability of the products for their purpose and not make any assumptions based on information included or omitted. Liability for loss or damage resulting from any reliance on the Information or use of it (including liability resulting from negligence or where the Group was aware of the possibility of such loss or damage arising) is excluded. This will not operate to limit or restrict the Group's liability for death or personal injury resulting from its negligence. SPC MULTICOMP is the registered trademark of the Group. © Premier Farnell plc 2008.

TOLERANCES:
 UNLESS OTHERWISE SPECIFIED, DIMENSIONS ARE FOR REFERENCE PURPOSES ONLY.

DRAWN BY:	DATE:
Geetha	03/06/08
CHECKED BY:	DATE:
Suresh	03/06/08
APPROVED BY:	DATE:
G.Cook	17/06/08

DRAWING TITLE:			
Navigation Switch - Multidirectional			
SIZE	DWG NO.	ELECTRONIC FILE	REV
A	M10001223	MT5.4-V_DWG	A
SCALE: NTS	U.O.M.: mm (Inches)	SHEET: 1 OF 4	



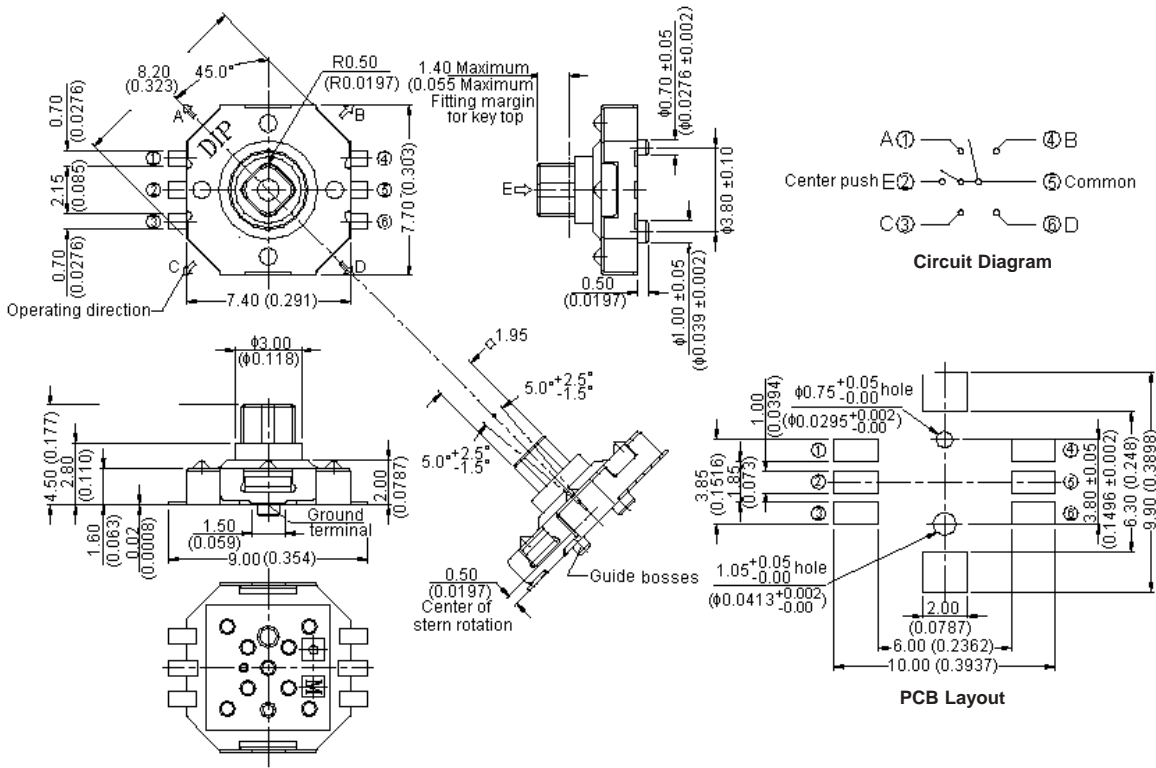
PART NO.

MCMT4 - Series

REVISIONS

ECN #	REV	DESCRIPTION	DRAWN	DATE	CHECKD	DATE	APPRVD	DATE
-	A	RELEASED	Geetha	03/6/08	Suresh	03/6/08	G. C	17/6/08

MCMT5-F



Dimensions : Millimetres (Inches)

This data sheet and its contents (the "Information") belong to the Premier Farnell Group (the "Group") or are licensed to it. No licence is granted for the use of it other than for information purposes in connection with the products to which it relates. No licence of any intellectual property rights is granted. The Information is subject to change without notice and replaces all data sheets previously supplied. The Information supplied is believed to be accurate but the Group assumes no responsibility for its accuracy or completeness, any error in or omission from it or for any use made of it. Users of this data sheet should check for themselves the Information and the suitability of the products for their purpose and not make any assumptions based on information included or omitted. Liability for loss or damage resulting from any reliance on the Information or use of it (including liability resulting from negligence or where the Group was aware of the possibility of such loss or damage arising) is excluded. This will not operate to limit or restrict the Group's liability for death or personal injury resulting from its negligence. SPC MULTICOMP is the registered trademark of the Group. © Premier Farnell plc 2008.

TOLERANCES:

UNLESS OTHERWISE SPECIFIED, DIMENSIONS ARE FOR REFERENCE PURPOSES ONLY.

DRAWN BY:	DATE:
Geetha	03/06/08
CHECKED BY:	DATE:
Suresh	03/06/08
APPROVED BY:	DATE:
G.Cook	17/06/08

DRAWING TITLE:

Navigation Switch - Multidirectional

SIZE	DWG NO.	ELECTRONIC FILE	REV
A	M10001223	MT5.4-V_DWG	A
SCALE: NTS	U.O.M.: mm (Inches)	SHEET: 2 OF 4	



PART NO.

MCMT4 - Series

REVISIONS

ECN #	REV	DESCRIPTION	DRAWN	DATE	CHECKD	DATE	APPRVD	DATE
-	A	RELEASED	Geetha	03/6/08	Suresh	03/6/08	G. C	17/6/08

Specifications:

Mechanical:

Operating force : 4-direction: 160gf.
 Center push : 320gf.
 Stroke : 4-direction: 5°+2.5°/-1.5°mm.
 Center push : 0.25+0.1/-0.2mm.
 Operating temperature range : -25°C to +85°C.

Electrical:

Electrical life : 100,000 cycles.
 Rating : 50mA, 12V dc.
 Maximum contact resistance : 100mΩ.
 Minimum insulation resistance : 100MΩ at 100V dc.
 Dielectric strength : 250V ac/1 minute.
 Contact arrangement : 1 pole 1 throw.

Material:

Base : Nylon high-temperature thermoplastic.
 Color : Black.
 Cover : Nickel silver.
 Center stem : Nylon high-temperature thermoplastic.
 5Directions color : Black.
 4Directions color : Brown.
 Four way stem : Nylon high-temperature thermoplastic.
 Contact : Stainless with silver cladding.
 Terminal : Brass with silver plated.

Soldering Process:

Hand Soldering : Use a soldering iron of 30 watts, controlled at 350°C approximately 5 seconds while applying.
Reflow Soldering : When applying reflow soldering, the peak temperature or the reflow over should be set to 260°C maximum.

This data sheet and its contents (the "Information") belong to the Premier Farnell Group (the "Group") or are licensed to it. No licence is granted for the use of it other than for information purposes in connection with the products to which it relates. No licence of any intellectual property rights is granted. The Information is subject to change without notice and replaces all data sheets previously supplied. The Information supplied is believed to be accurate but the Group assumes no responsibility for its accuracy or completeness, any error in or omission from it or for any use made of it. Users of this data sheet should check for themselves the Information and the suitability of the products for their purpose and not make any assumptions based on information included or omitted. Liability for loss or damage resulting from any reliance on the Information or use of it (including liability resulting from negligence or where the Group was aware of the possibility of such loss or damage arising) is excluded. This will not operate to limit or restrict the Group's liability for death or personal injury resulting from its negligence. SPC MULTICOMP is the registered trademark of the Group. © Premier Farnell plc 2008.

TOLERANCES:

UNLESS OTHERWISE SPECIFIED, DIMENSIONS ARE FOR REFERENCE PURPOSES ONLY.

DRAWN BY:	DATE:
Geetha	03/06/08
CHECKED BY:	DATE:
Suresh	03/06/08
APPROVED BY:	DATE:
G.Cook	17/06/08

DRAWING TITLE:

Navigation Switch - Multidirectional

SIZE	DWG NO.	ELECTRONIC FILE	REV
A	M10001223	MT5.4-V_DWG	A
SCALE: NTS		U.O.M.: mm (Inches)	SHEET: 3 OF 4

