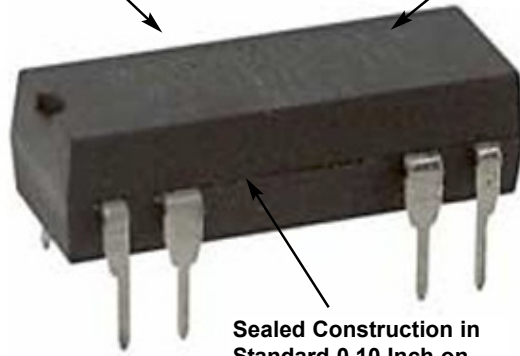


MCY96 Series Reed Relays



Can Survive High Shock to Avoid Damage in Harsh Conditions

Can Sustain Lead-Free Re-flow for Fin-Thru-Paste Assembly



Sealed Construction in Standard 0.10 Inch on Centre Pin Configuration

General Specifications

Contact Characteristics		Units	MCY96
Number and Type of Contacts	-	-	SPDT
Contact Materials	-	-	Rhodium
Current rating	-	A	0.25
Switching Voltage	-	V	60
		V	100
Minimum Switching Requirement	Minimum	mA	10
Coil Characteristics			
Operating Range	% of Nominal	-	80% to 110%
Average Consumption	-	W	0.29
Drop-out Voltage Threshold	-	-	10%
Performance Characteristics			
Electrical Life	Operations at Rated Current (Resistive)	-	50,000,000
Mechanical Life	Unpowered	-	100,000,000
Operating Time (Response Time)	-	ms	1
Rated insulation Voltage	Between Coil and Contact	V	1,000
Dielectric strength	Between Poles	V	1,000
rms Voltage	Between Contacts	V	200
Environment			
Ambient Air Temperature	Storage	°C	-40 to +85
Around the Device	Operation	°C	-40 to +55
Vibration Resistance	Operational	g-n	20, 10-200 Hz
Shock Resistance	-	g-n	50
Weight	-	grams	1

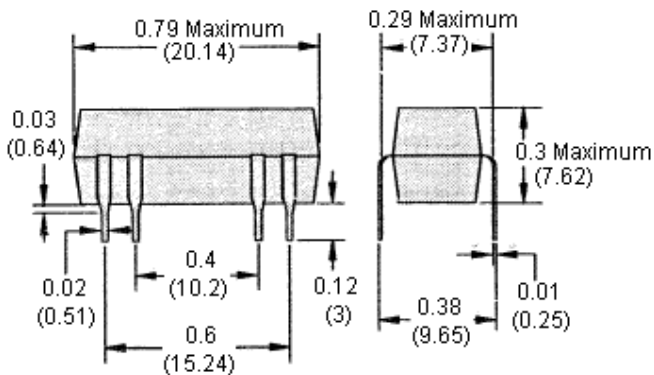
www.element14.com
www.farnell.com
www.newark.com



MCY96 Series Reed Relays



MCY96



Dimensions : Inches (Millimetres)

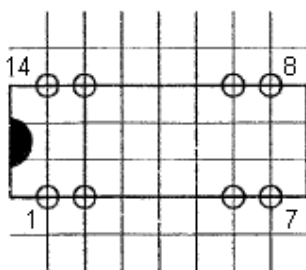
When spacing MCY96 the relays require 1/2 inch spacing from the side of the adjacent relays.

Drawings and pin spacing enlarged to 200% of actual size.

Specification Table

Nominal Input Voltage	Nominal Coil Resistance (Ω)	Contact Configuration	Figure	Part Number
5 V dc	200 Ω	SPDT	A	MCY96-370-5D
5 V dc	200 Ω	SPDT w / Clamping Diode	B	MCY96-37C-5D
12 V dc	1,000 Ω	SPDT w / Clamping Diode	B	MCY96-37C-12D
24 V dc	3,200 Ω	SPDT w / Clamping Diode	B	MCY96-37C-24D

Circuit board pin spacing Viewed from component side (Top View)



0.1 in grid
(2.54 mm)

Wiring Diagrams Top View

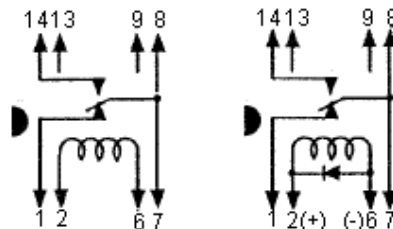


Figure A
SPDT without
diode

Figure B
SPDT with
diode

Important Notice : This data sheet and its contents (the "Information") belong to the members of the Premier Farnell group of companies (the "Group") or are licensed to it. No licence is granted for the use of it other than for information purposes in connection with the products to which it relates. No licence of any intellectual property rights is granted. The Information is subject to change without notice and replaces all data sheets previously supplied. The Information supplied is believed to be accurate but the Group assumes no responsibility for its accuracy or completeness, any error in or omission from it or for any use made of it. Users of this data sheet should check for themselves the Information and the suitability of the products for their purpose and not make any assumptions based on information included or omitted. Liability for loss or damage resulting from any reliance on the Information or use of it (including liability resulting from negligence or where the Group was aware of the possibility of such loss or damage arising) is excluded. This will not operate to limit or restrict the Group's liability for death or personal injury resulting from its negligence. Multicomp is the registered trademark of the Group. © Premier Farnell plc 2011.

www.element14.com
www.farnell.com
www.newark.com

